



US00D340730S

# United States Patent [19]

Myers

[11] Patent Number: **Des. 340,730**

[45] Date of Patent: **\*\* Oct. 26, 1993**

[54] **HEAT SEAL MACHINE**

[75] Inventor: **David A. Myers**, Connellsville, Pa.

[73] Assignee: **Stahls' Inc.**, St. Clair Shores, Mich.

[\*\*] Term: **14 Years**

[21] Appl. No.: **679,337**

[22] Filed: **Apr. 2, 1991**

[52] U.S. Cl. .... **D15/146**

[58] Field of Search ..... **D15/145, 146; 100/93 P, 100/219, 233, 266, 283; 156/583.9; 219/243**

[56] **References Cited**

**U.S. PATENT DOCUMENTS**

- D. 250,340 11/1978 Douglas ..... D15/146
- 4,004,503 1/1977 Dwyer ..... 156/583.9 X
- 4,172,750 10/1979 Givlic ..... 100/93 P X

- 4,190,485 2/1980 Takeda et al. .... 219/243 X
- 4,243,470 1/1981 Higashiguchi ..... 156/583.9

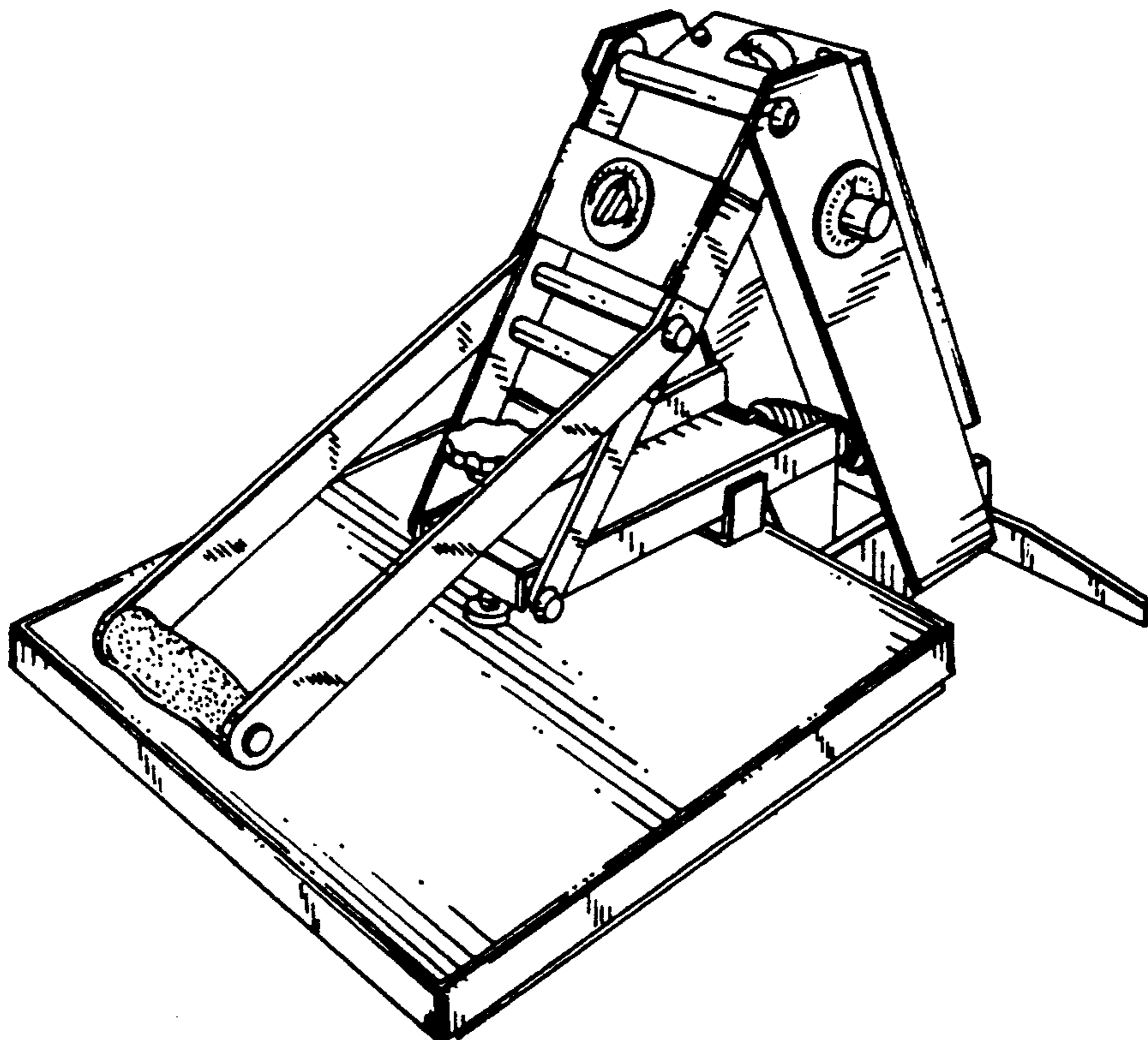
*Primary Examiner*—Alan P. Douglas  
*Assistant Examiner*—Antoine D. Davis  
*Attorney, Agent, or Firm*—Brooks & Kushman

[57] **CLAIM**

The ornamental design for a heat seal machine, as shown and described.

**DESCRIPTION**

FIG. 1 is a perspective view of the heat seal machine; FIG. 2 is a top plan view of the heat seal machine; FIG. 3 is a side view of the heat seal machine; FIG. 4 is the opposite side view of the heat seal machine; FIG. 5 is a rear view of the heat seal machine; FIG. 6 is a front view of the heat seal machine; and, FIG. 7 is a bottom view of the heat seal machine.



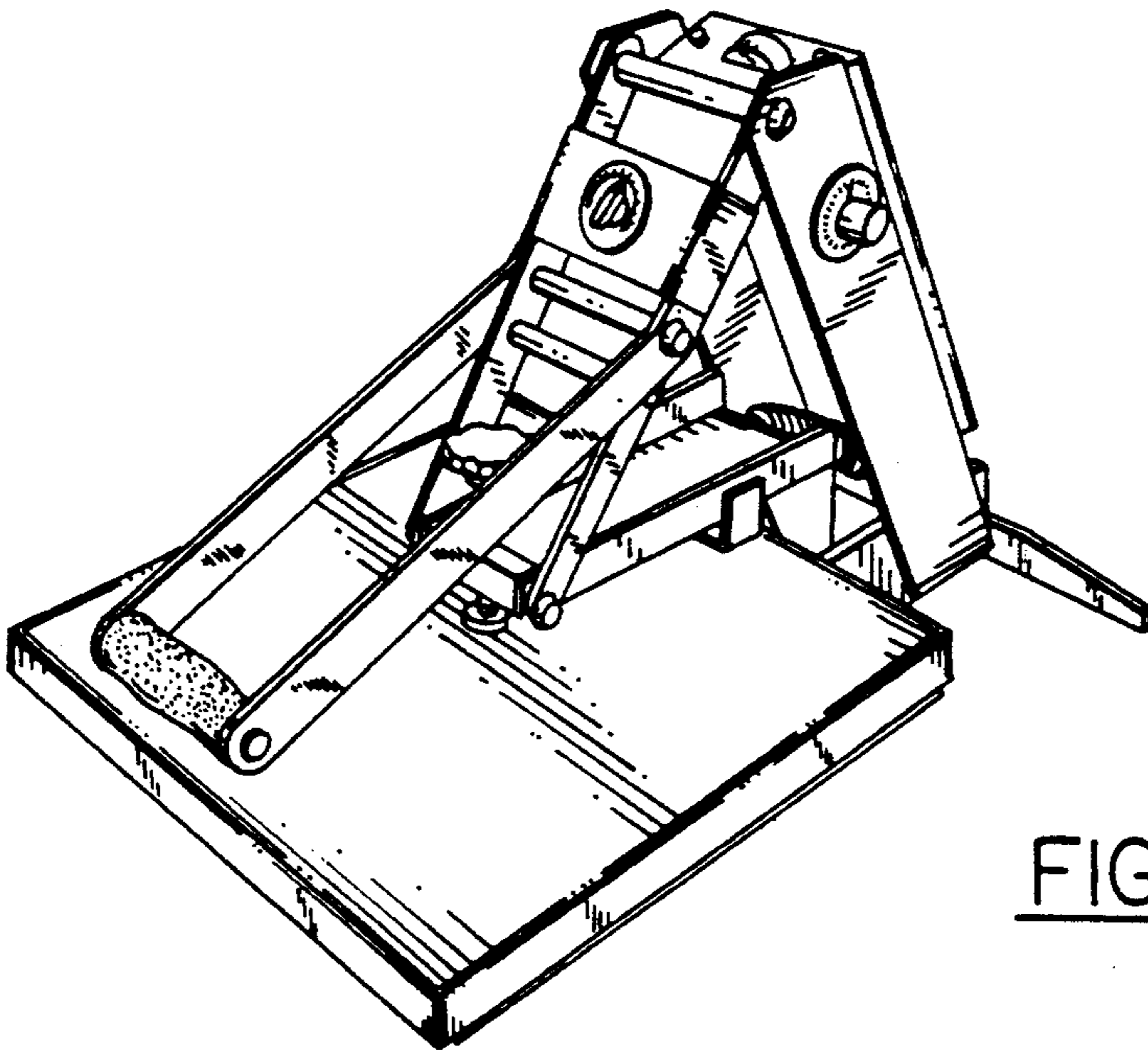


FIG. 1

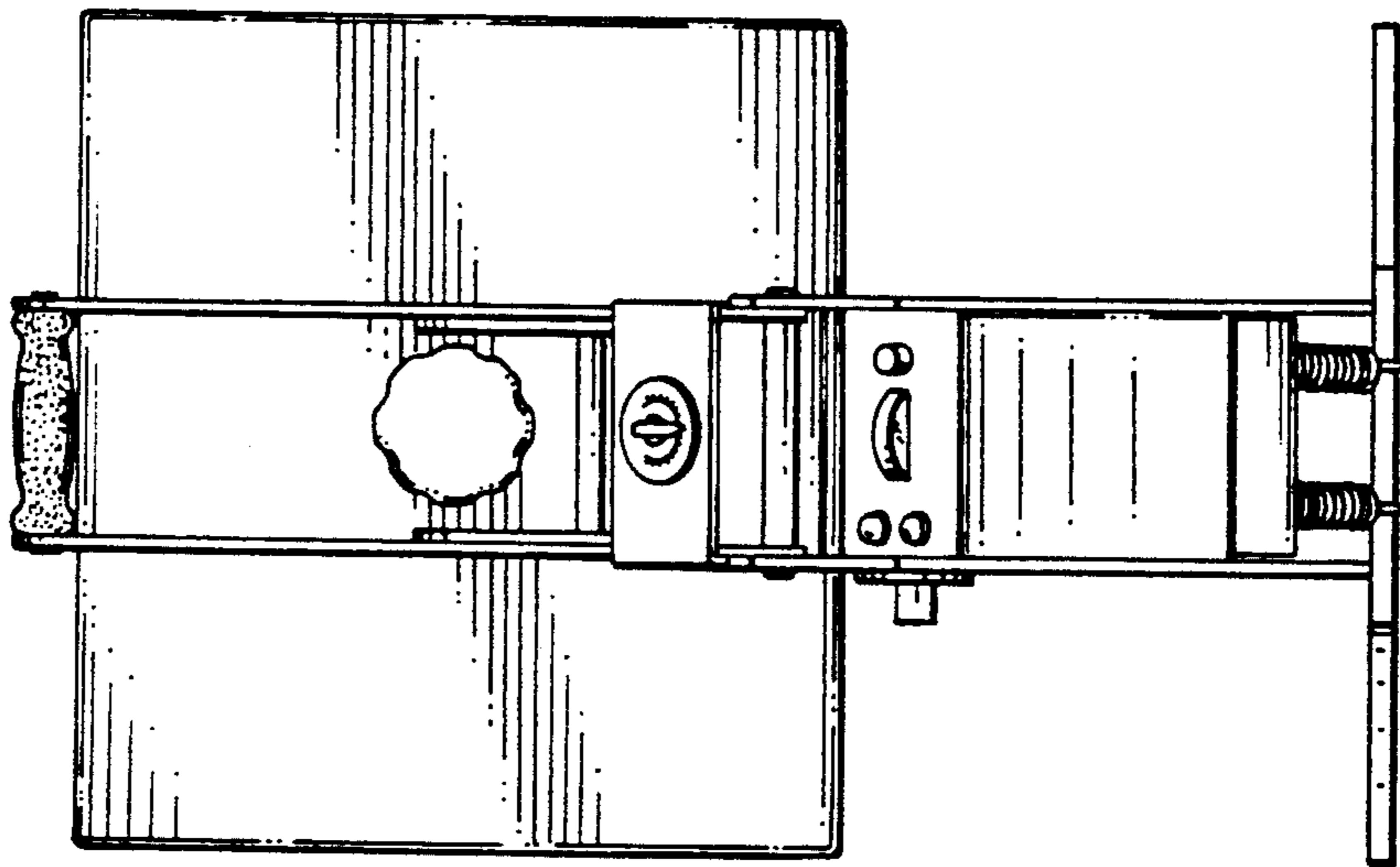


FIG. 2

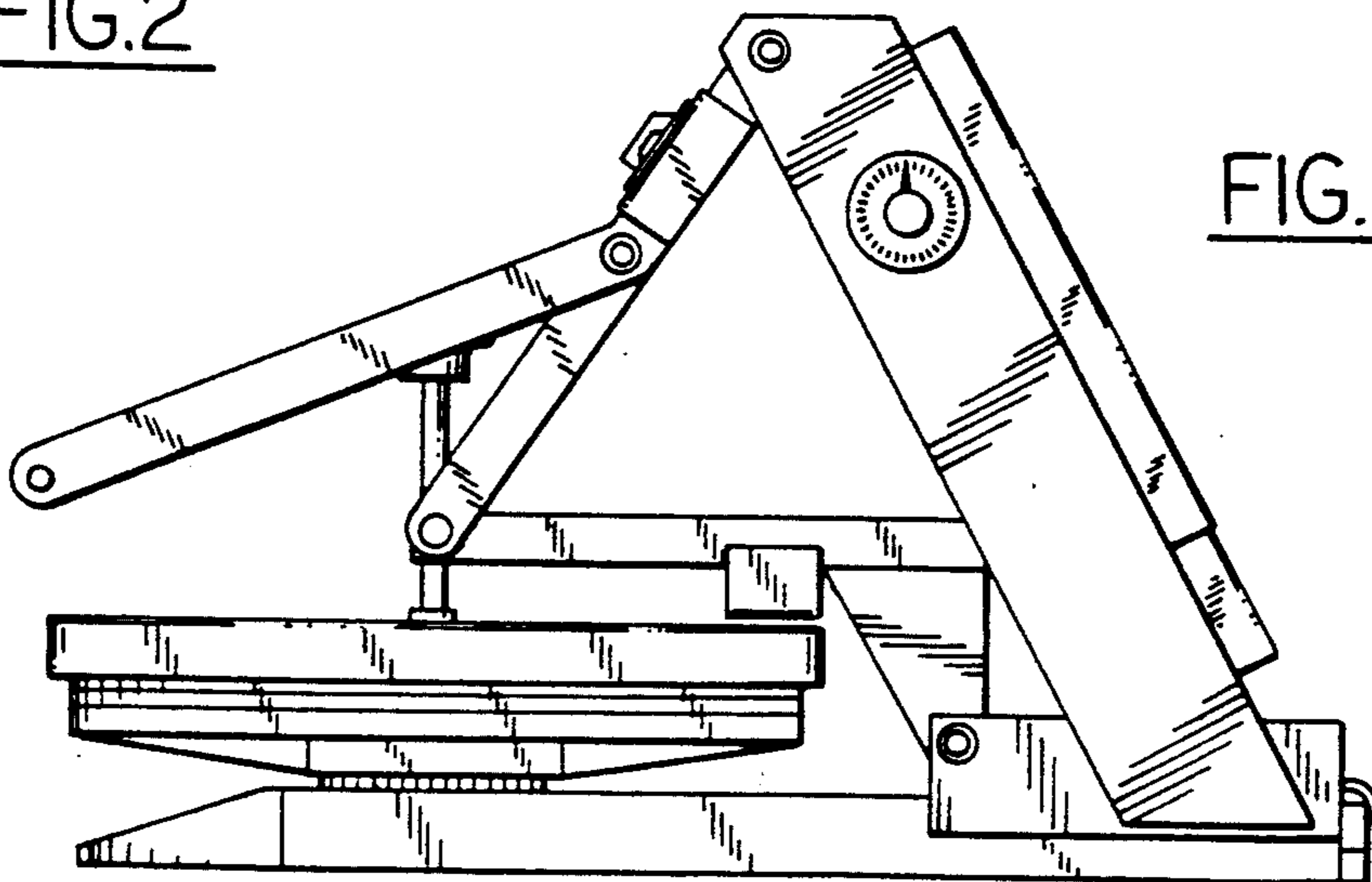


FIG. 3

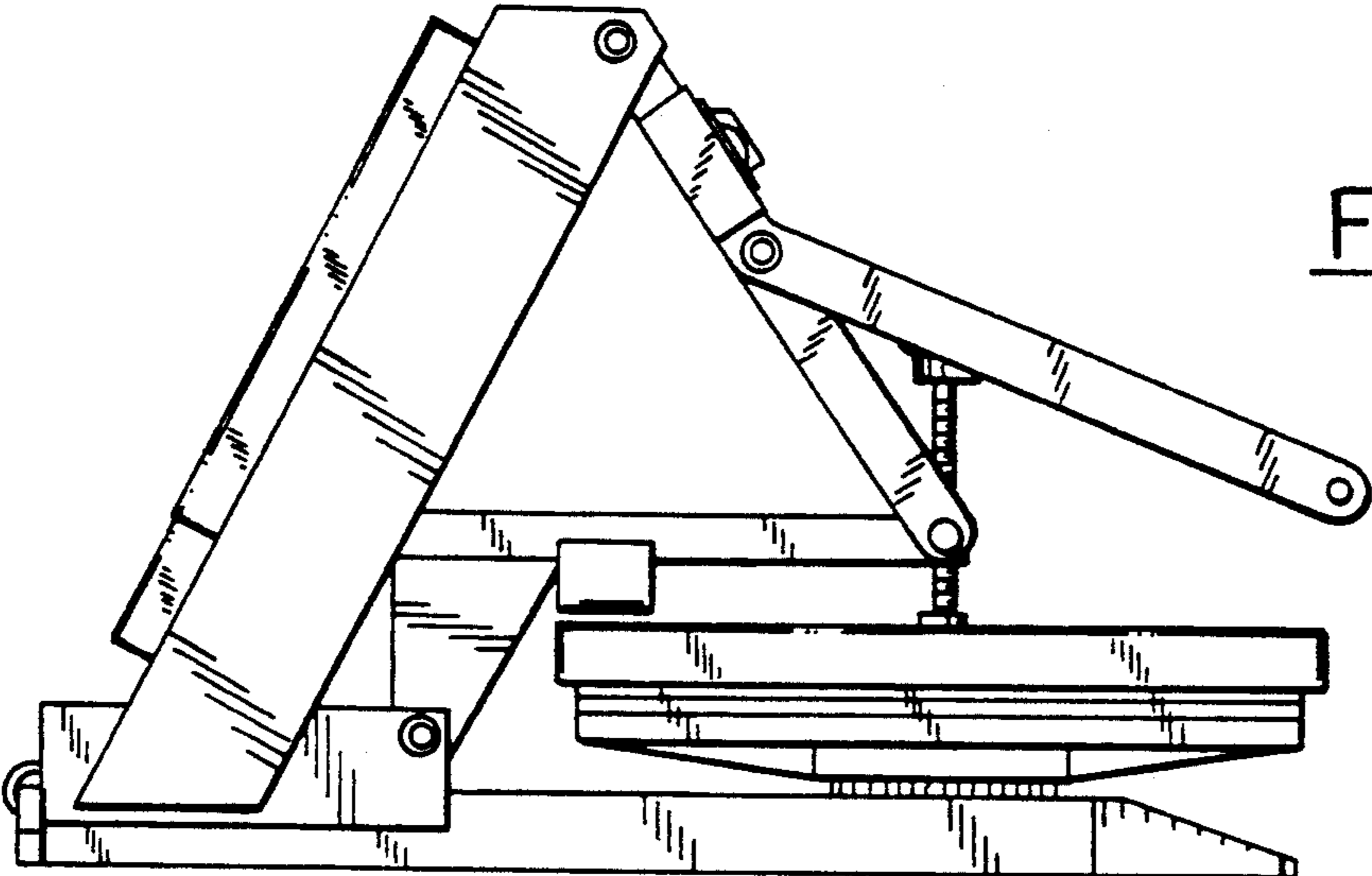


FIG. 4

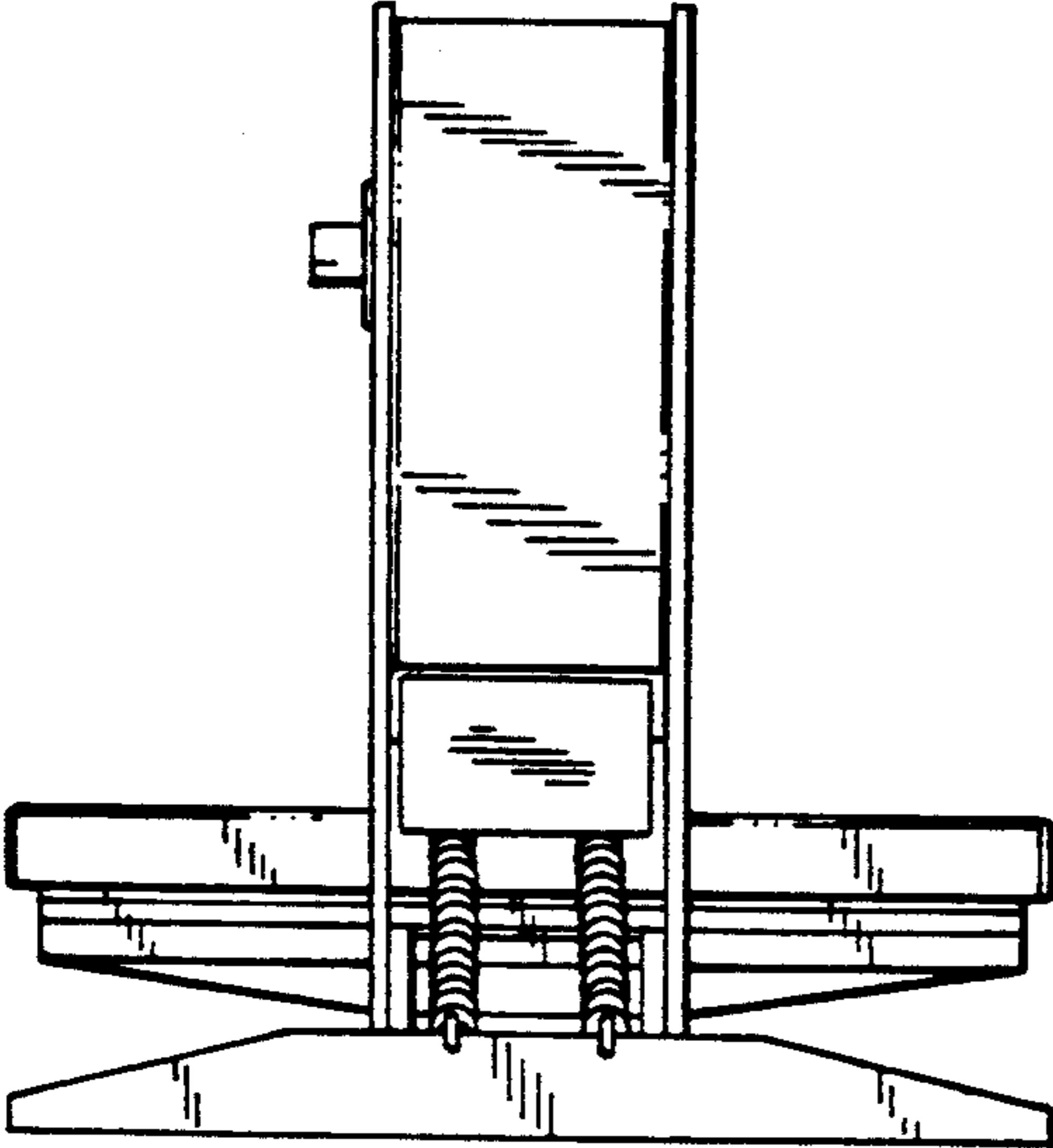


FIG. 5

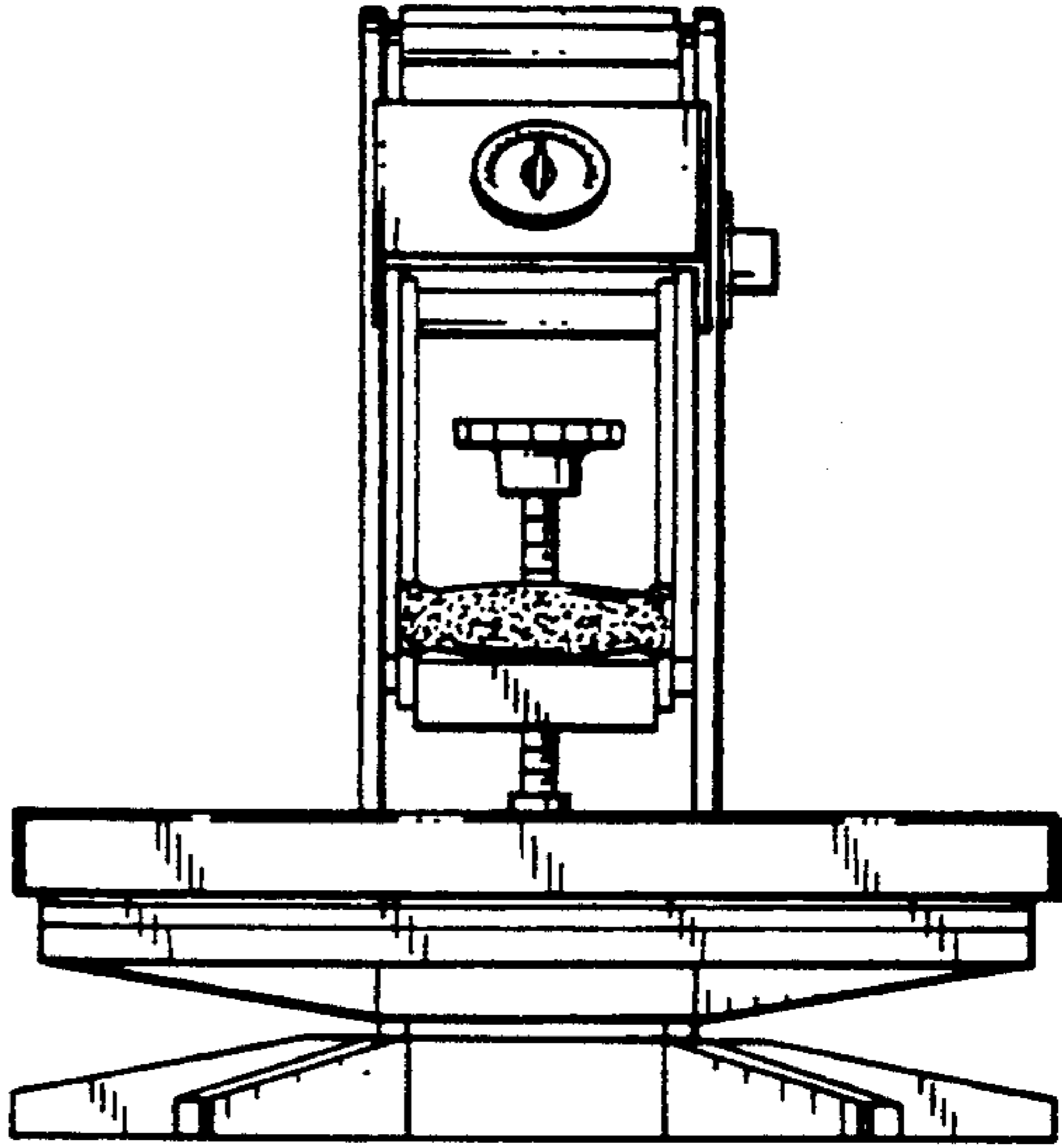


FIG. 6

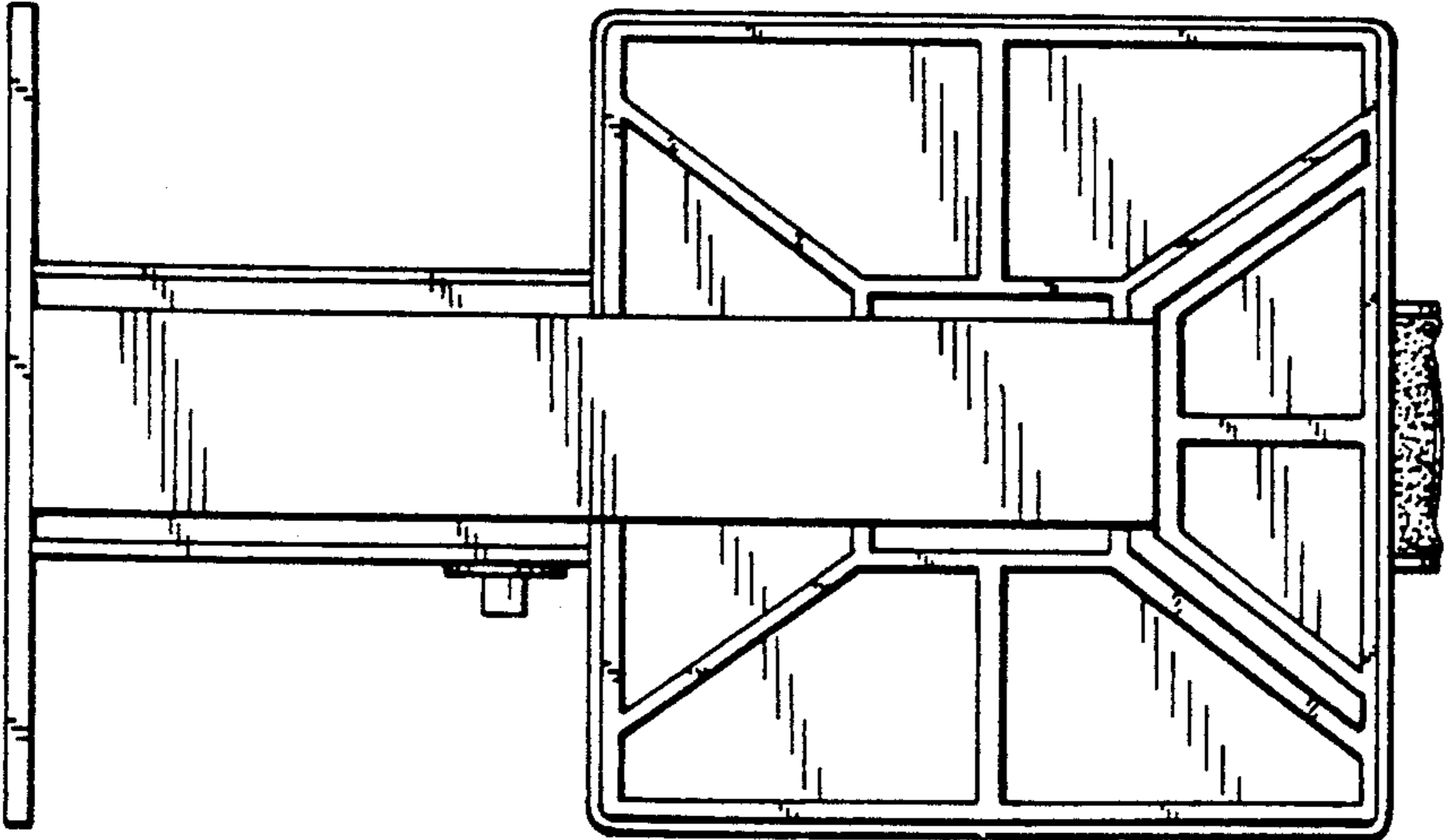


FIG. 7