



US00D340729S

United States Patent [19] Baughman

[11] Patent Number: **Des. 340,729**

[45] Date of Patent: **** Oct. 26, 1993**

[54] **GRINDER**

4,607,459 8/1986 Rees 51/267 X

[76] Inventor: **Karl T. Baughman**, 333 E. Foster Pl.,
Lake Forest, Ill. 60045

Primary Examiner—Alan P. Douglas
Assistant Examiner—Antoine D. Davis
Attorney, Agent, or Firm—Michael G. Berkman

[**] Term: **14 Years**

[57] **CLAIM**

[21] Appl. No.: **933,056**

The ornamental design of a grinder, as shown and described.

[22] Filed: **Aug. 21, 1992**

[52] U.S. Cl. **D15/124; D15/125**

DESCRIPTION

[58] Field of Search **D15/124, 125; 51/135 R,**
51/135 BT, 137, 138, 139, 143, 205 WG, 214,
238 R, 238 T, 238 GG, 285, 267

FIG. 1 is a top, front and right side perspective view of a grinder showing my new design;
FIG. 2 is a top plan view thereof;
FIG. 3 is a front elevational view thereof;
FIG. 4 is a right side elevational view thereof;
FIG. 5 is a rear elevational view thereof; and,
FIG. 6 is a left side elevational view thereof.

[56] **References Cited**

U.S. PATENT DOCUMENTS

D. 328,604 8/1992 Chien **D15/124**

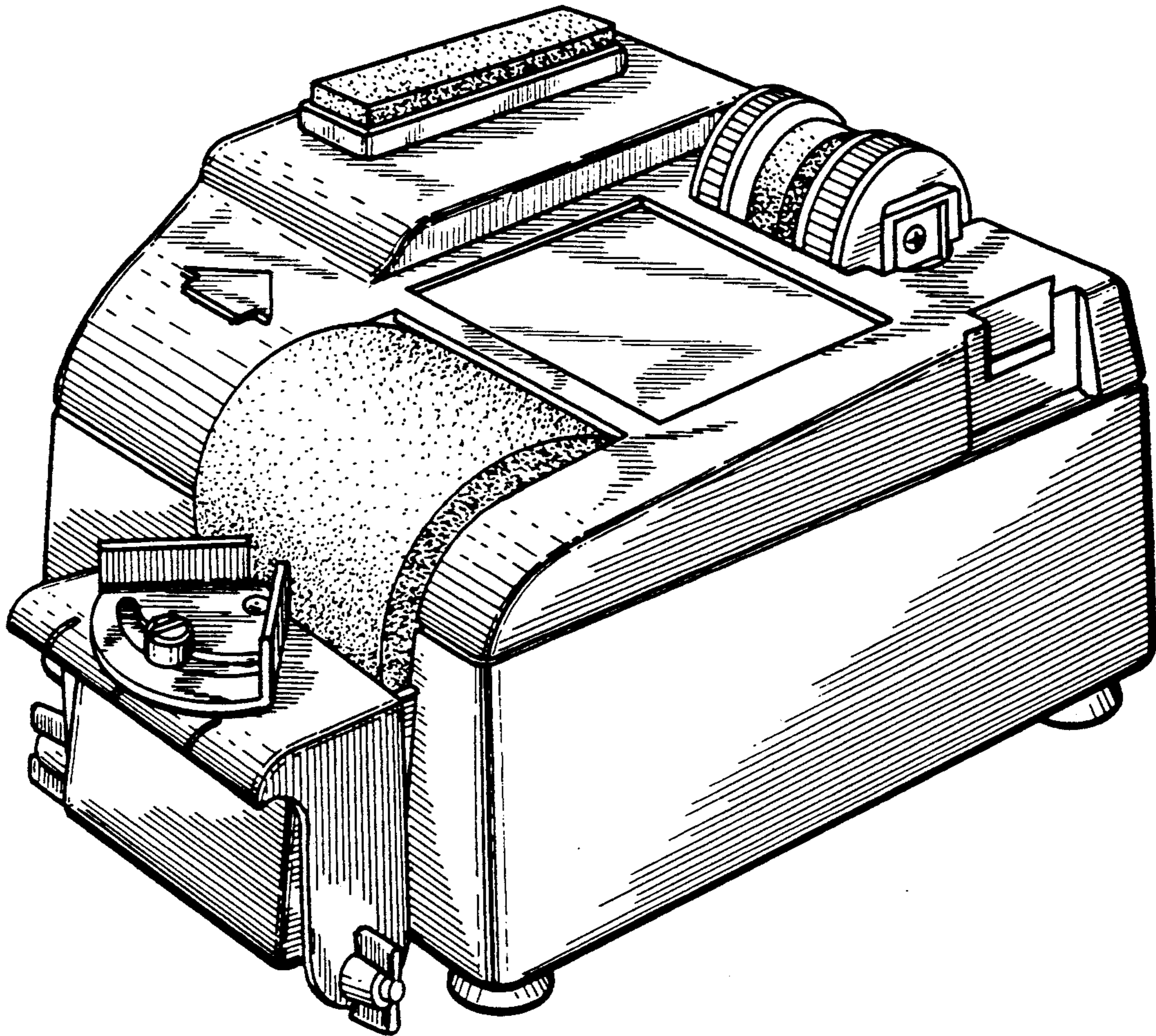


FIG. 1

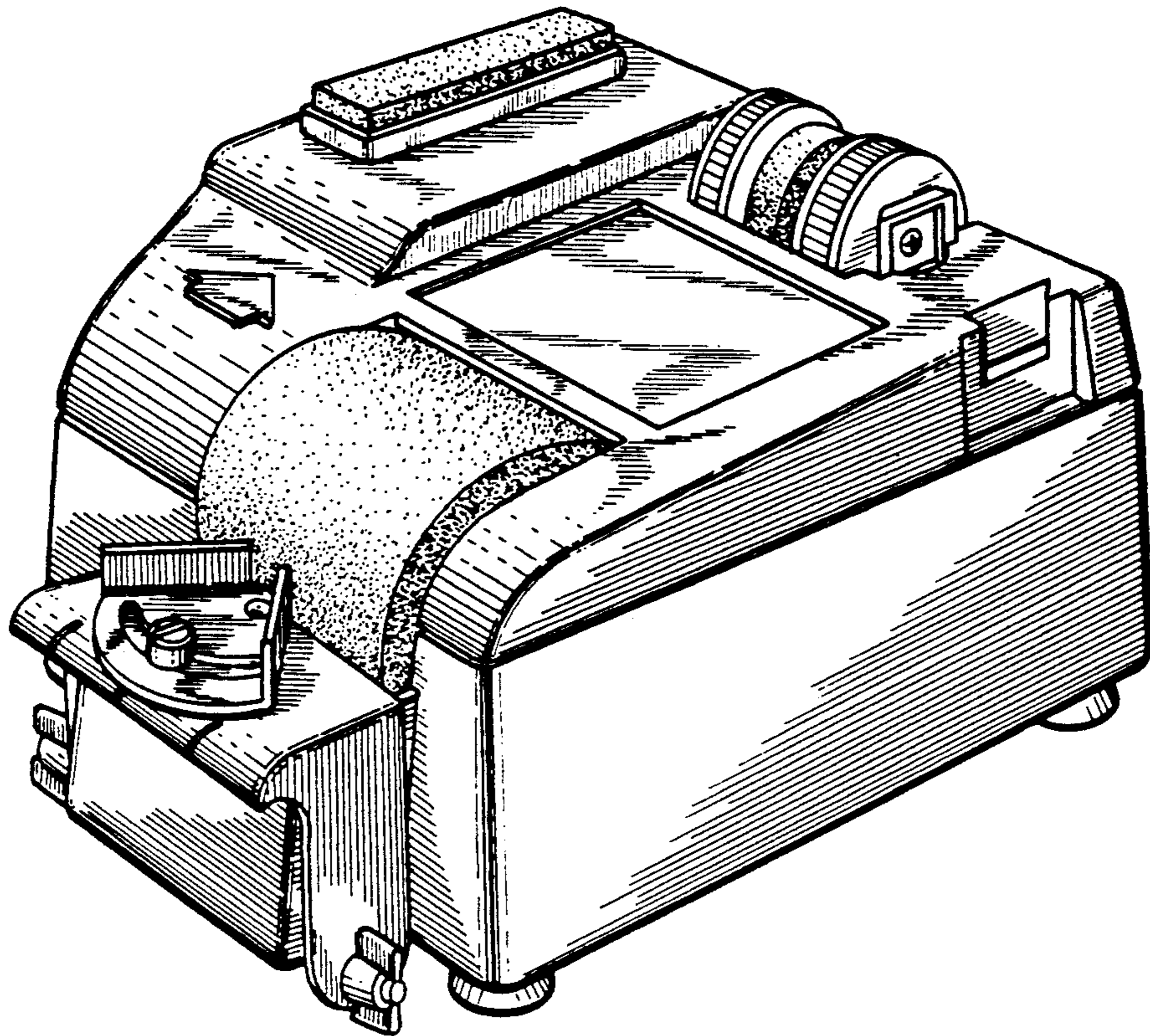


FIG. 2

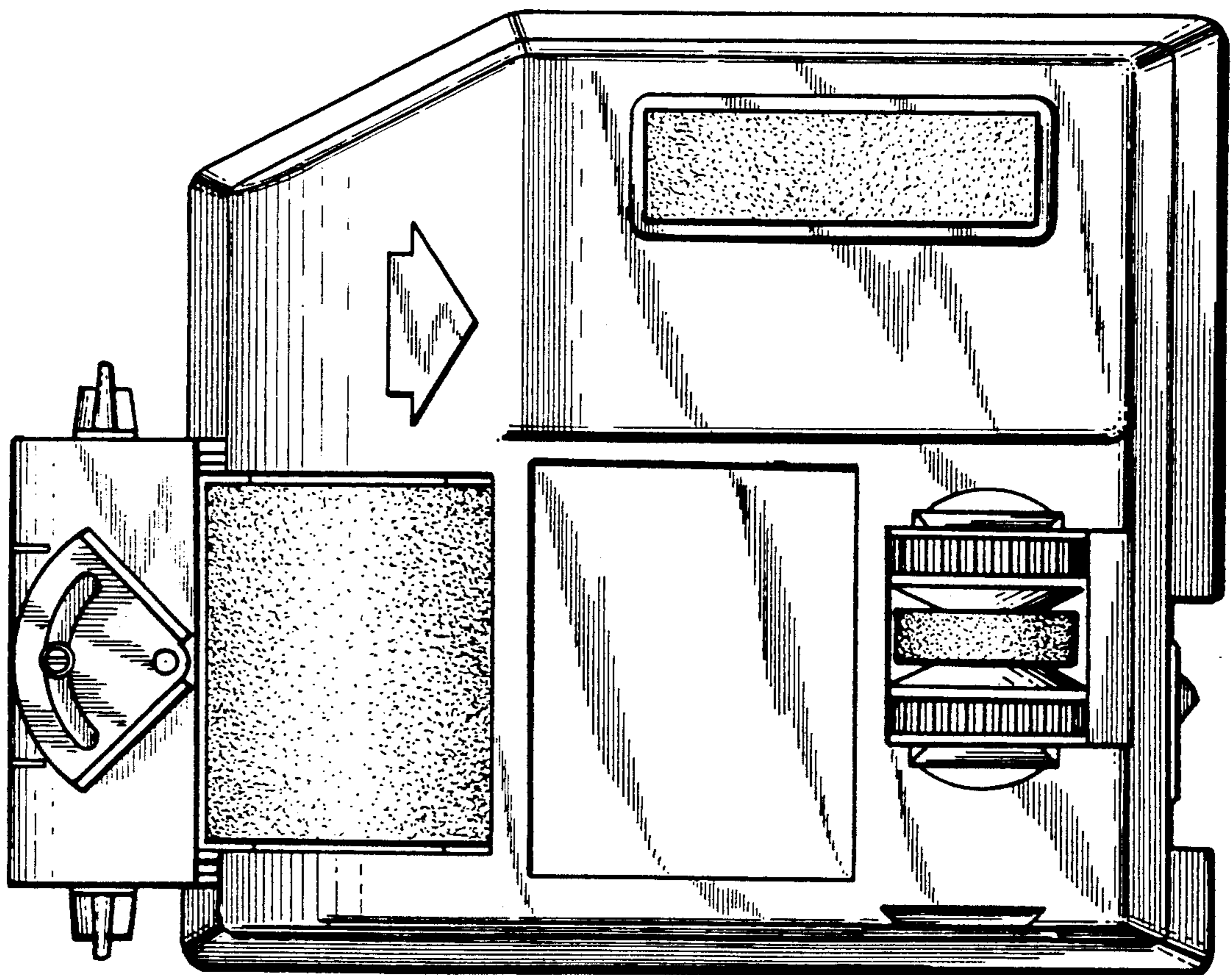


FIG. 3

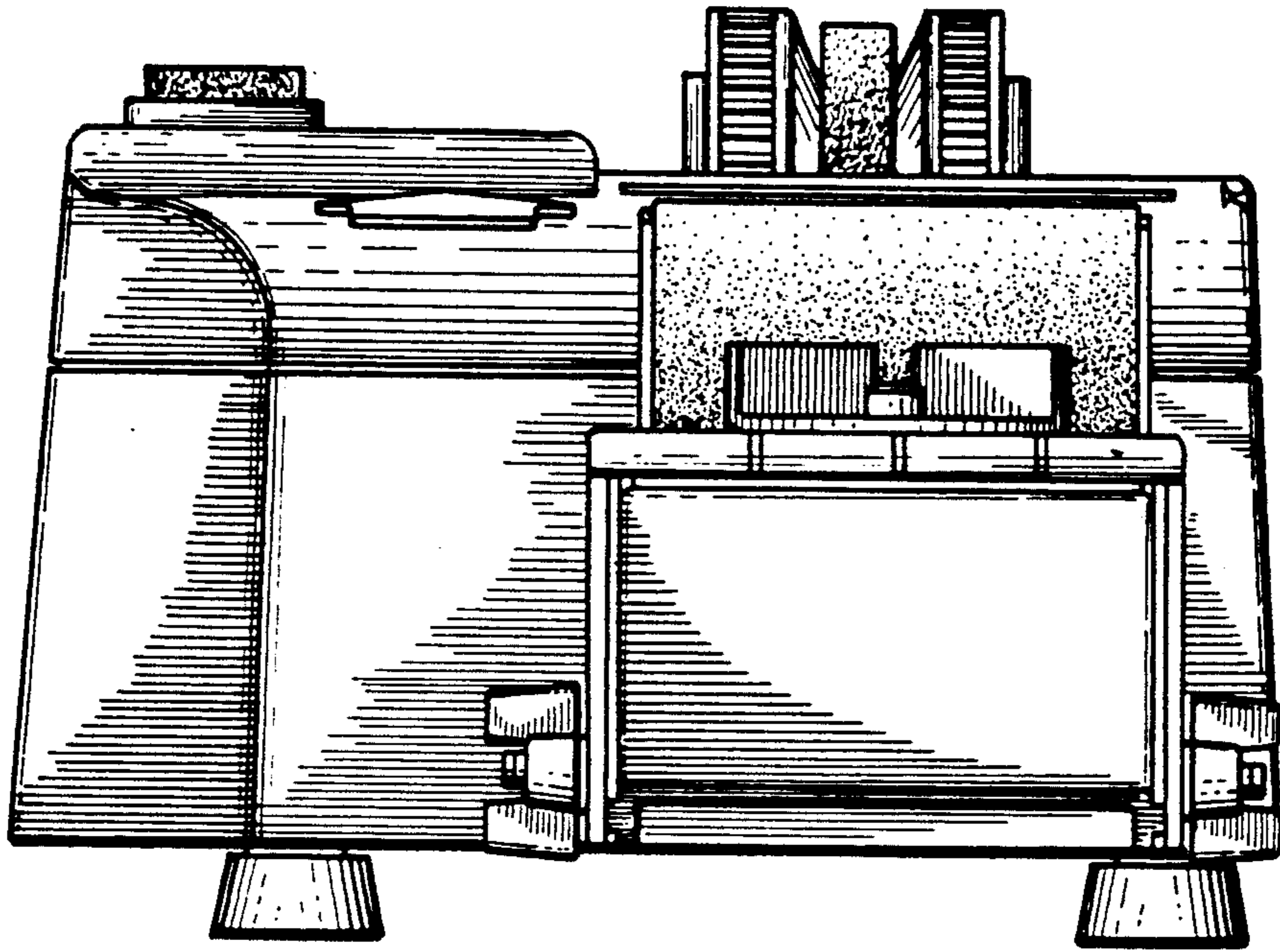


FIG. 4

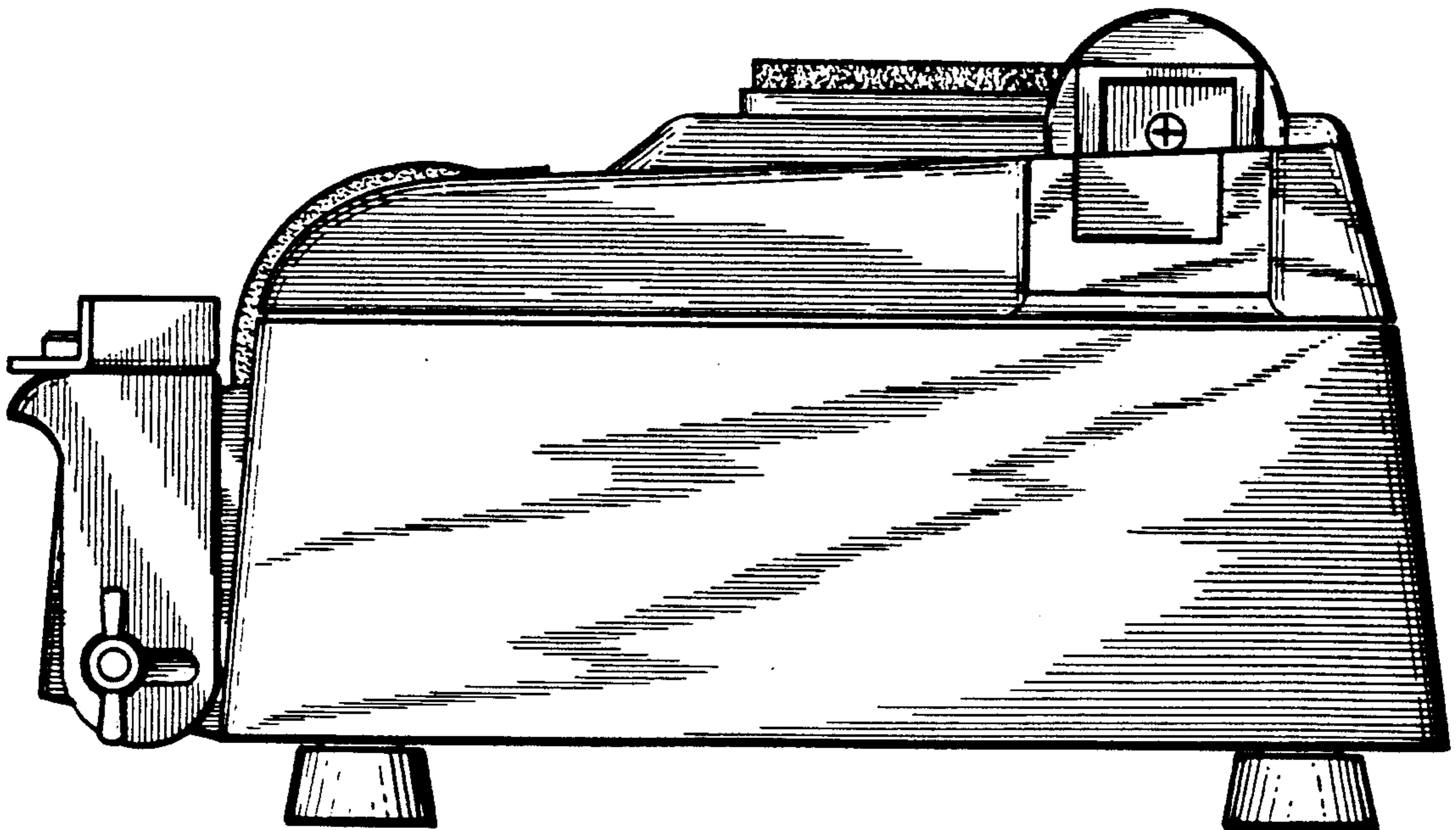


FIG. 5

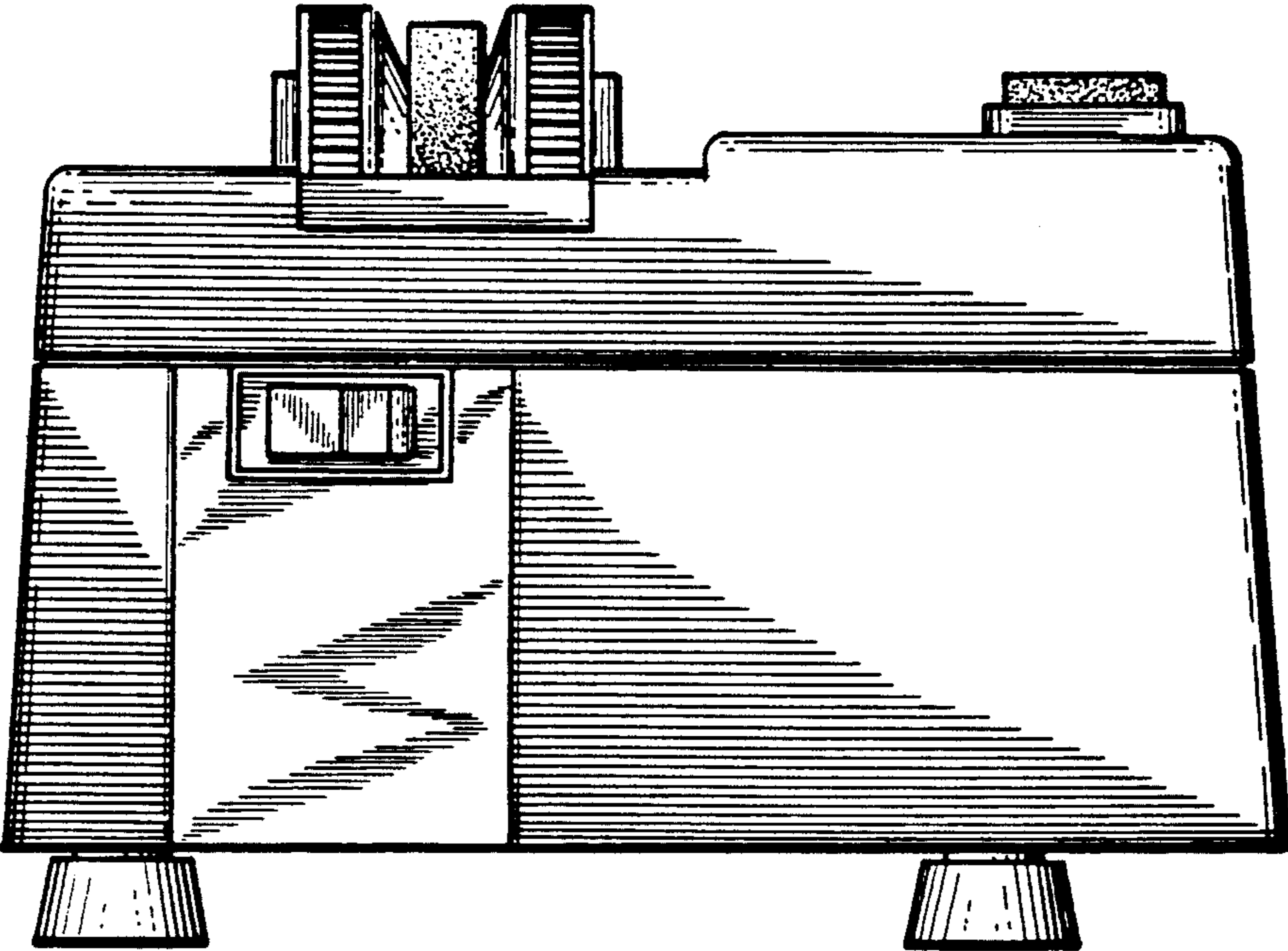


FIG. 6

