



US00D340727S

United States Patent [19]

Anderson et al.

[11] Patent Number: Des. 340,727

[45] Date of Patent: ** Oct. 26, 1993

[54] FEED PUMP FOR PAINT

[75] Inventors: Steven A. Anderson, Eden Prairie;
Richard C. Jackson, Minneapolis;
Elizabeth E. Ramsey, Eden Prairie,
all of Minn.

[73] Assignee: Wagner Spray Tech Corporation,
Minneapolis, Minn.

[**] Term: 14 Years

[21] Appl. No.: 921,432

[22] Filed: Aug. 4, 1992

[52] U.S. Cl. D15/7; D15/9

[58] Field of Search D15/7, 8, 9; 366/605;
417/234, 572; 401/41, 48, 146, 197, 203-204,
207, 218-219

[56] References Cited

U.S. PATENT DOCUMENTS

D. 282,072	1/1986	Miller et al.	D15/7
4,639,156	1/1987	Stern et al.	401/146
4,790,679	12/1988	Murphy	401/146
5,071,278	12/1991	Chen	401/146

Primary Examiner—A. Hugo Word
Assistant Examiner—R. Seifert
Attorney, Agent, or Firm—Faegre & Benson

[57] CLAIM

The ornamental design for a feed pump for paint, as shown and described.

DESCRIPTION

FIG. 1 is a perspective view of the feed pump for paint of the present invention;
FIG. 2 is a left side elevational view thereof;
FIG. 3 is a top plan view thereof;
FIG. 4 is a front elevational view thereof;
FIG. 5 is a rear elevational view thereof;
FIG. 6 is a right side elevational view thereof; and,
FIG. 7 is a bottom plan view thereof.

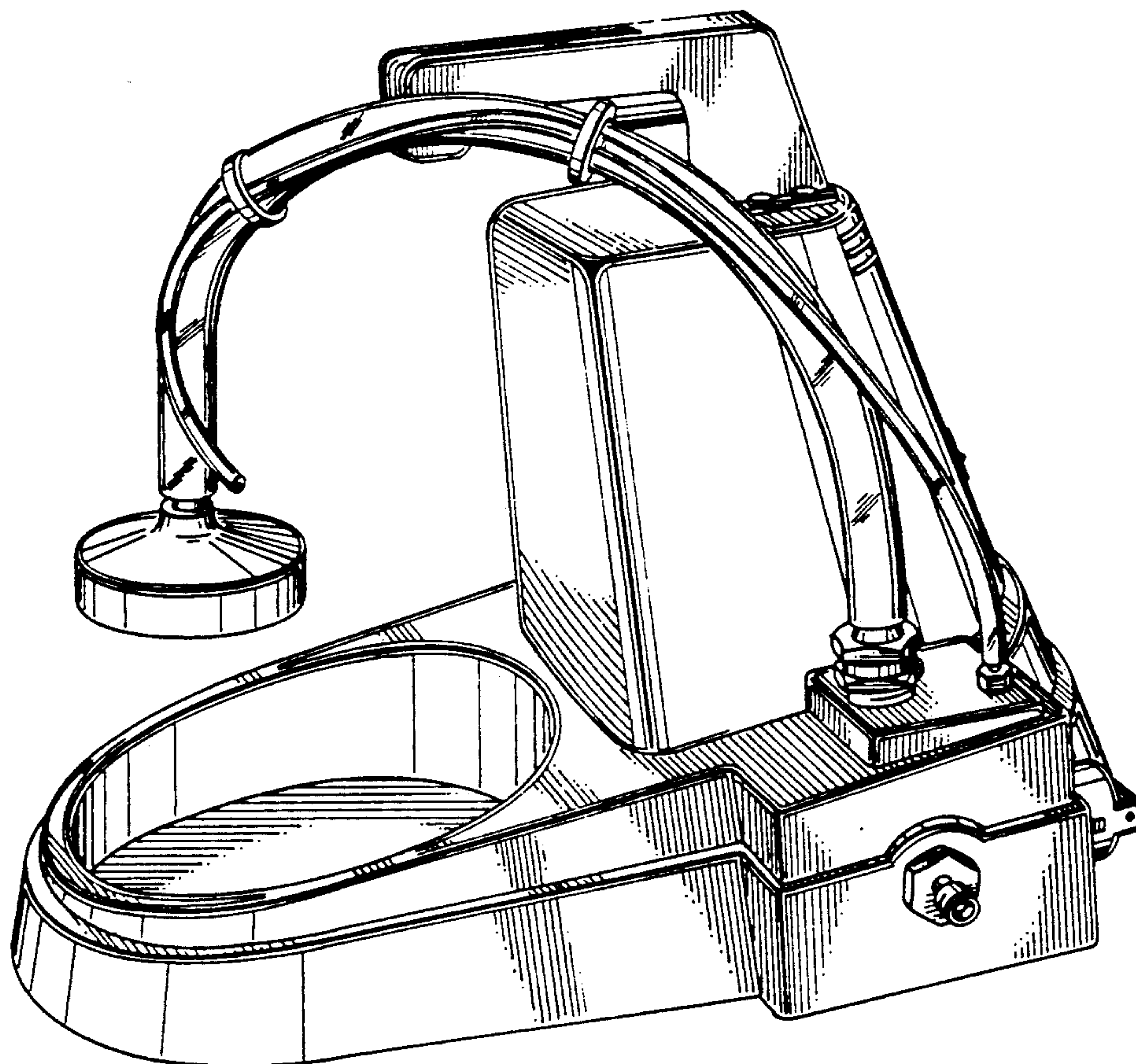


Fig. 1

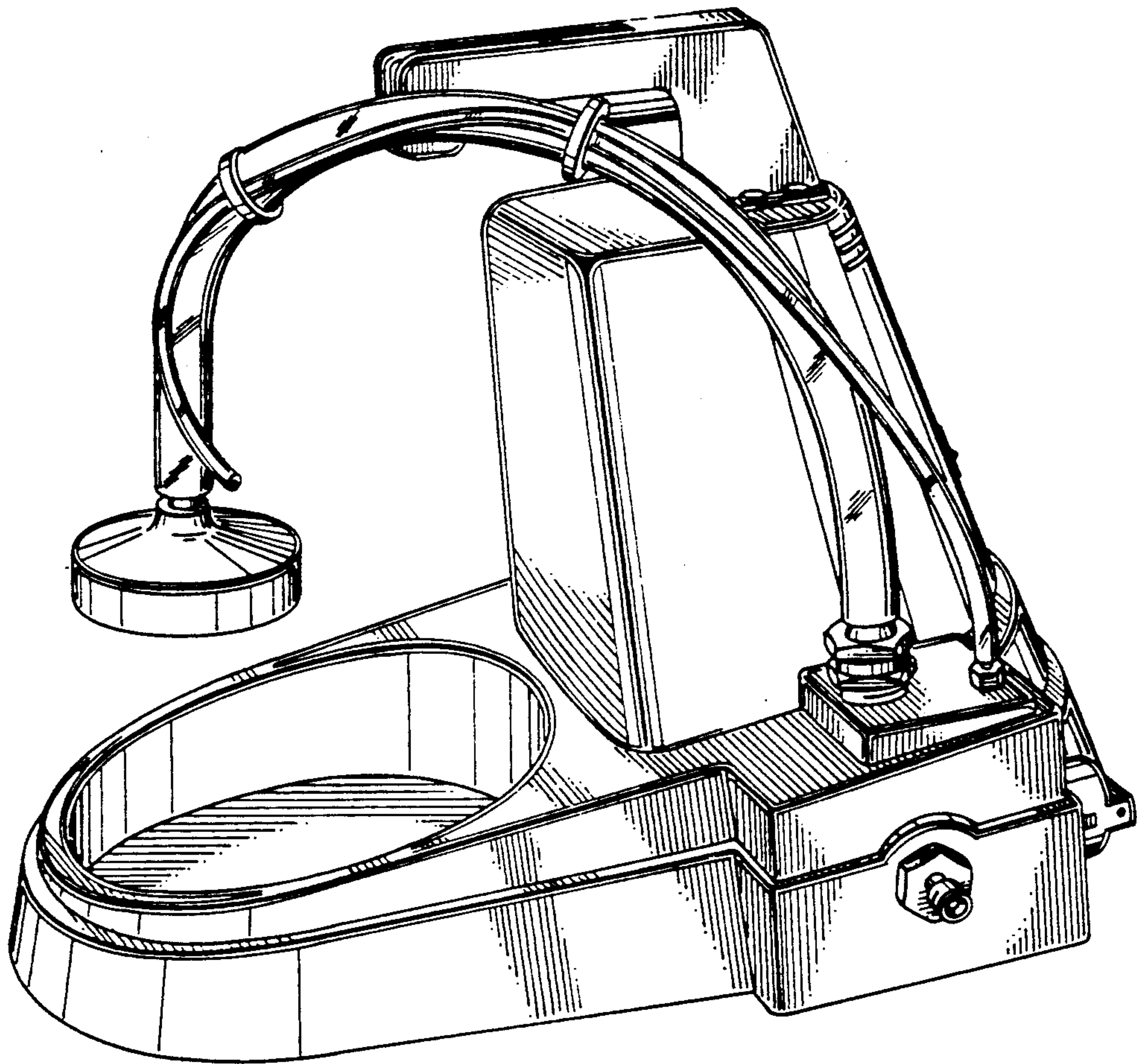


Fig. 2

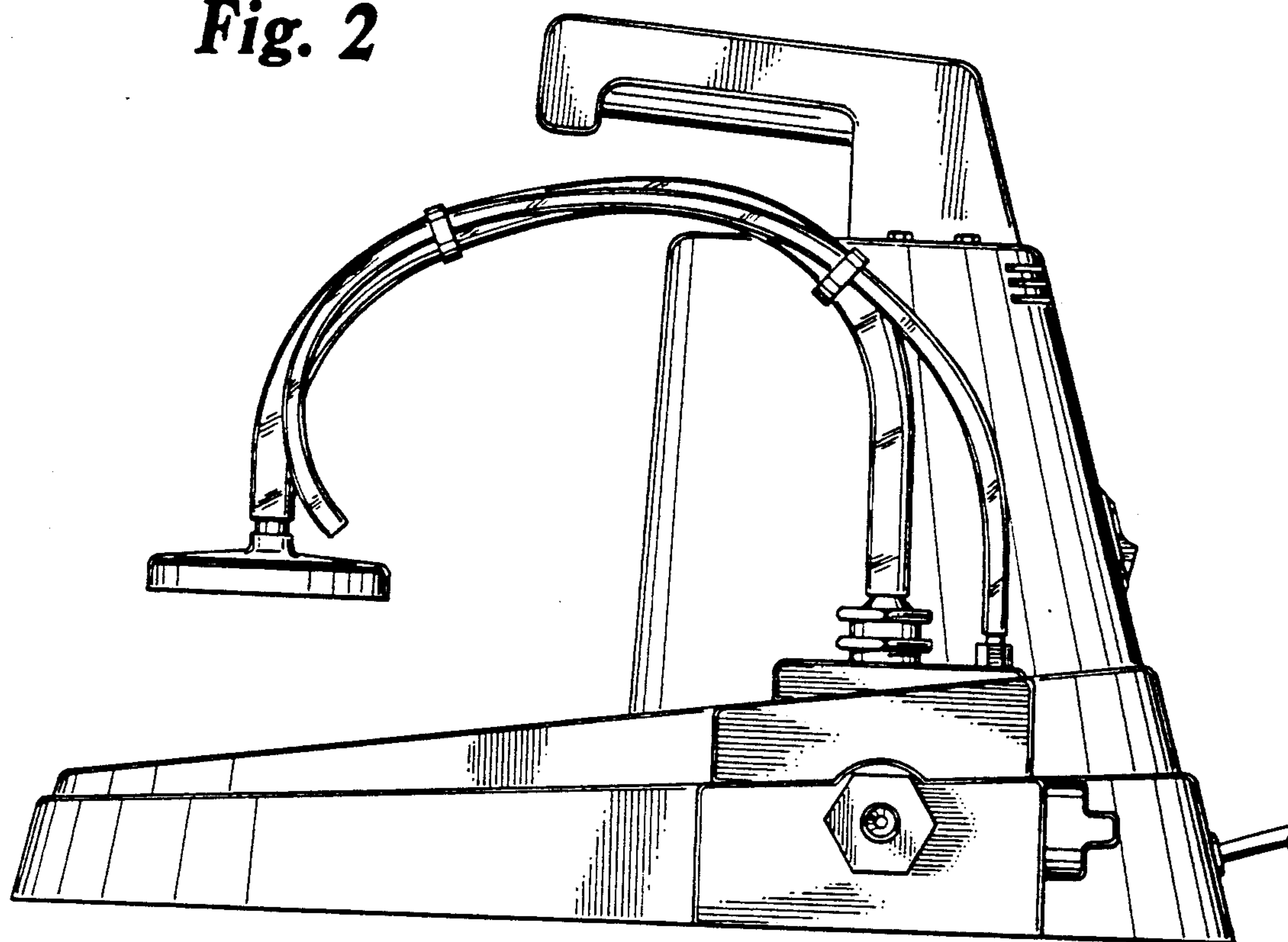


Fig. 3

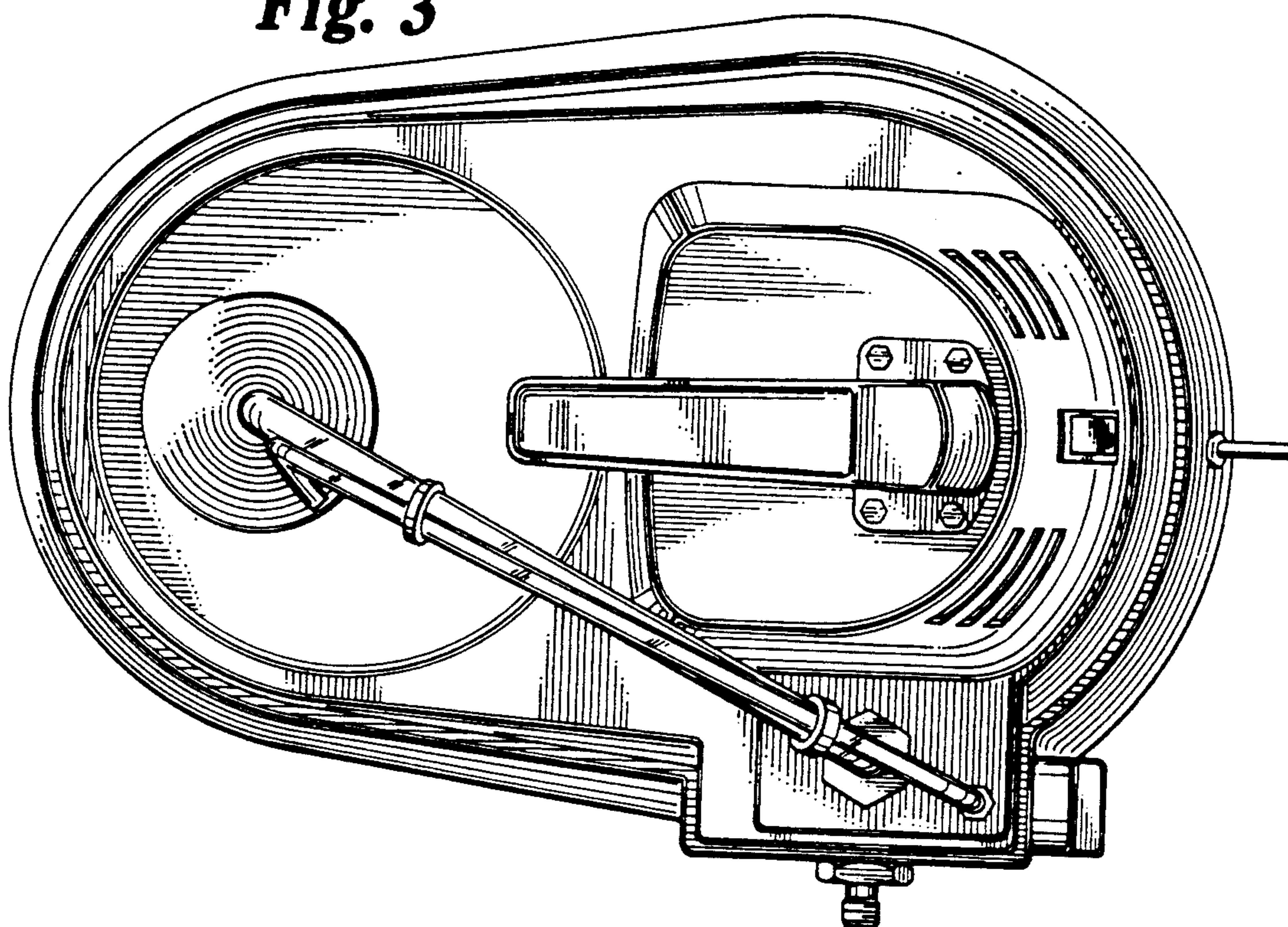


Fig. 4

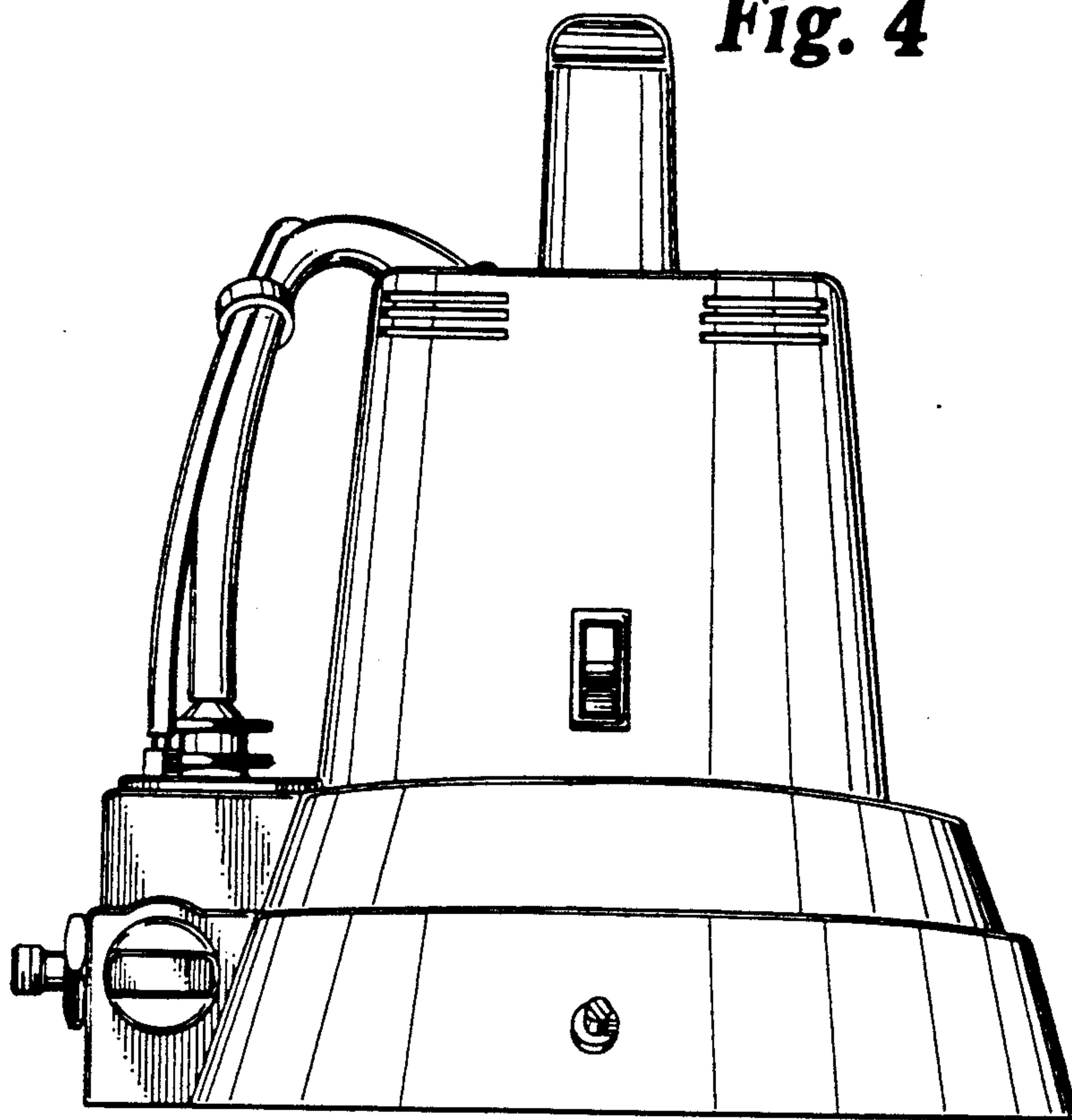


Fig. 5

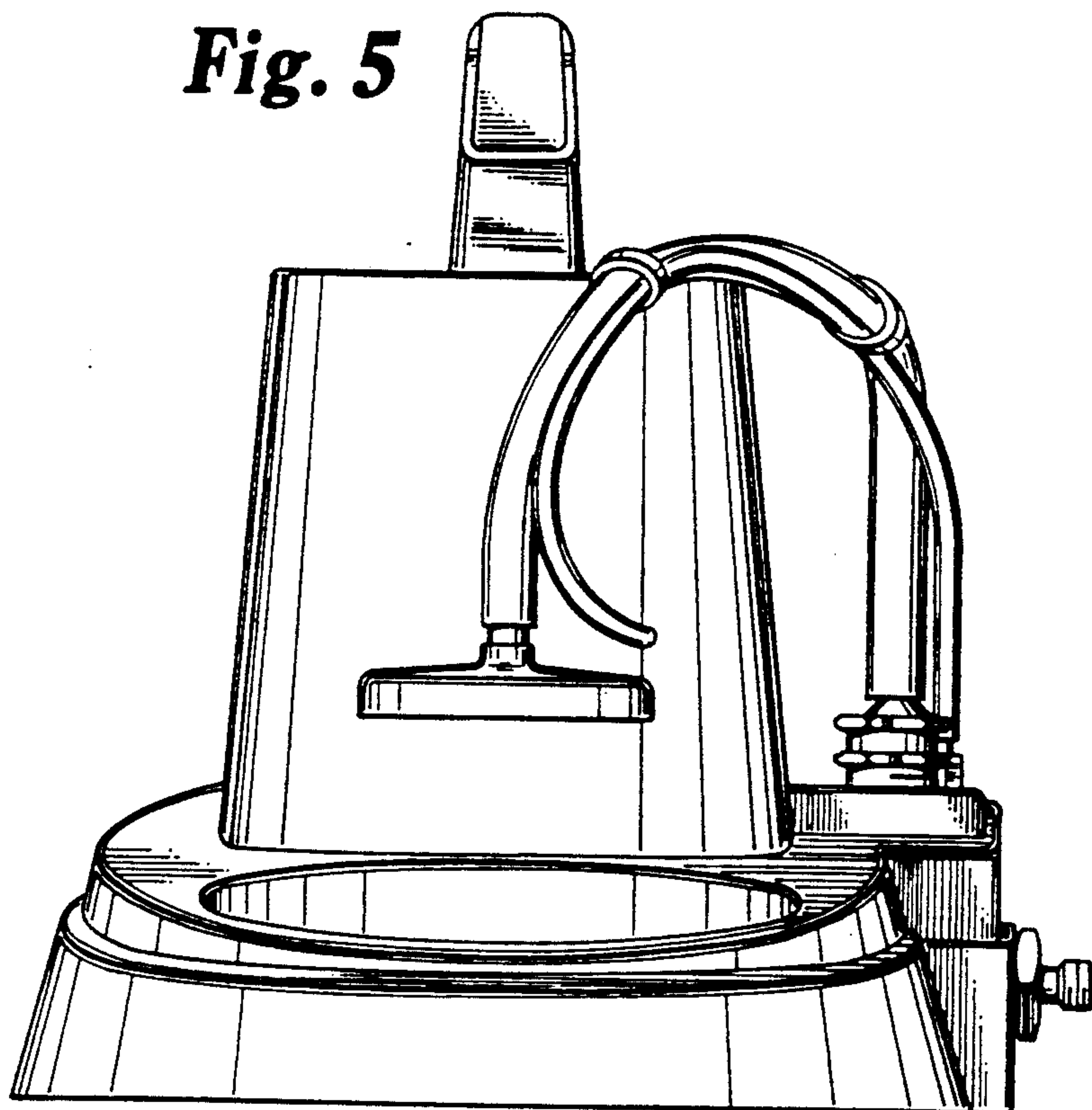


Fig. 6

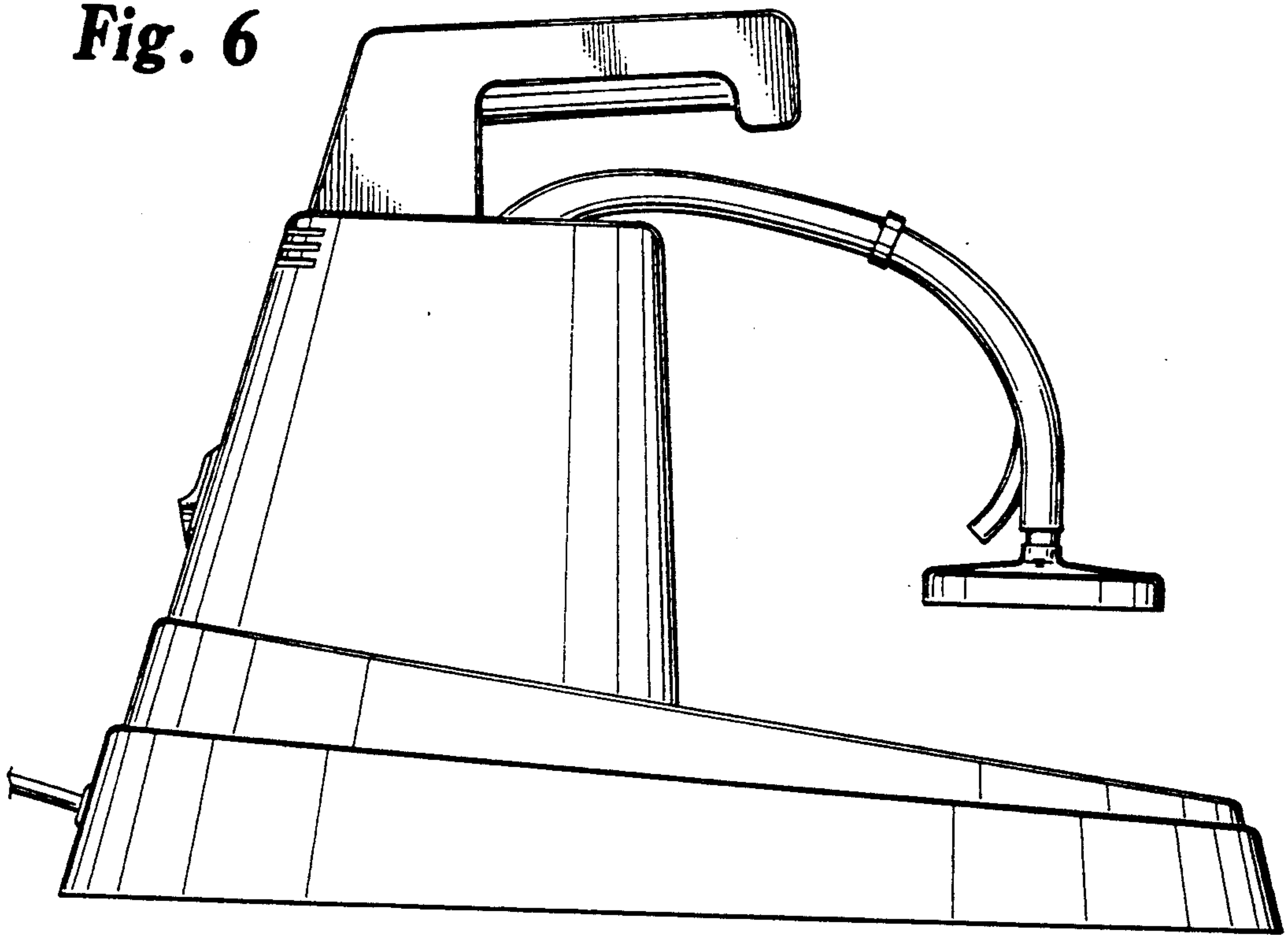


Fig. 7

