



US00D340726S

United States Patent [19]

Wang

[11] Patent Number: **Des. 340,726**

[45] Date of Patent: **** Oct. 26, 1993**

[54] **MOTOR OPERATED AUTOMOBILE AIR PUMP**

[76] Inventor: **Lee-Jung Wang, No. 84, Chuan Tzu Chin, Chuan Chin Li, Ma Tou Chen, Tainan Hsien, Taiwan**

[**] Term: **14 Years**

[21] Appl. No.: **909,823**

[22] Filed: **Jul. 8, 1992**

[52] U.S. Cl. **D15/7; D15/9**

[58] Field of Search **D15/7-9.2; D24/8; D26/38; 417/234, 415; 410/411.**

[56] **References Cited**

U.S. PATENT DOCUMENTS

- D. 273,789 5/1984 Davis D15/9
- D. 286,782 11/1986 Somers D15/7
- D. 289,297 4/1987 Liu D15/7
- D. 295,181 4/1988 Vitaloni D15/9

- D. 316,098 4/1991 Kille D15/7
- D. 323,329 1/1992 Wong D15/7
- D. 327,482 6/1992 Wang D15/7

Primary Examiner—A. Hugo Word
Assistant Examiner—R. Seifert
Attorney, Agent, or Firm—Varndell Legal Group

[57] **CLAIM**

The ornamental design for motor operated automobile air pump, as shown and described.

DESCRIPTION

FIG. 1 is a perspective view taken from above and one side of motor operated automobile air pump showing my new design;

FIG. 2 is a front elevational view thereof;

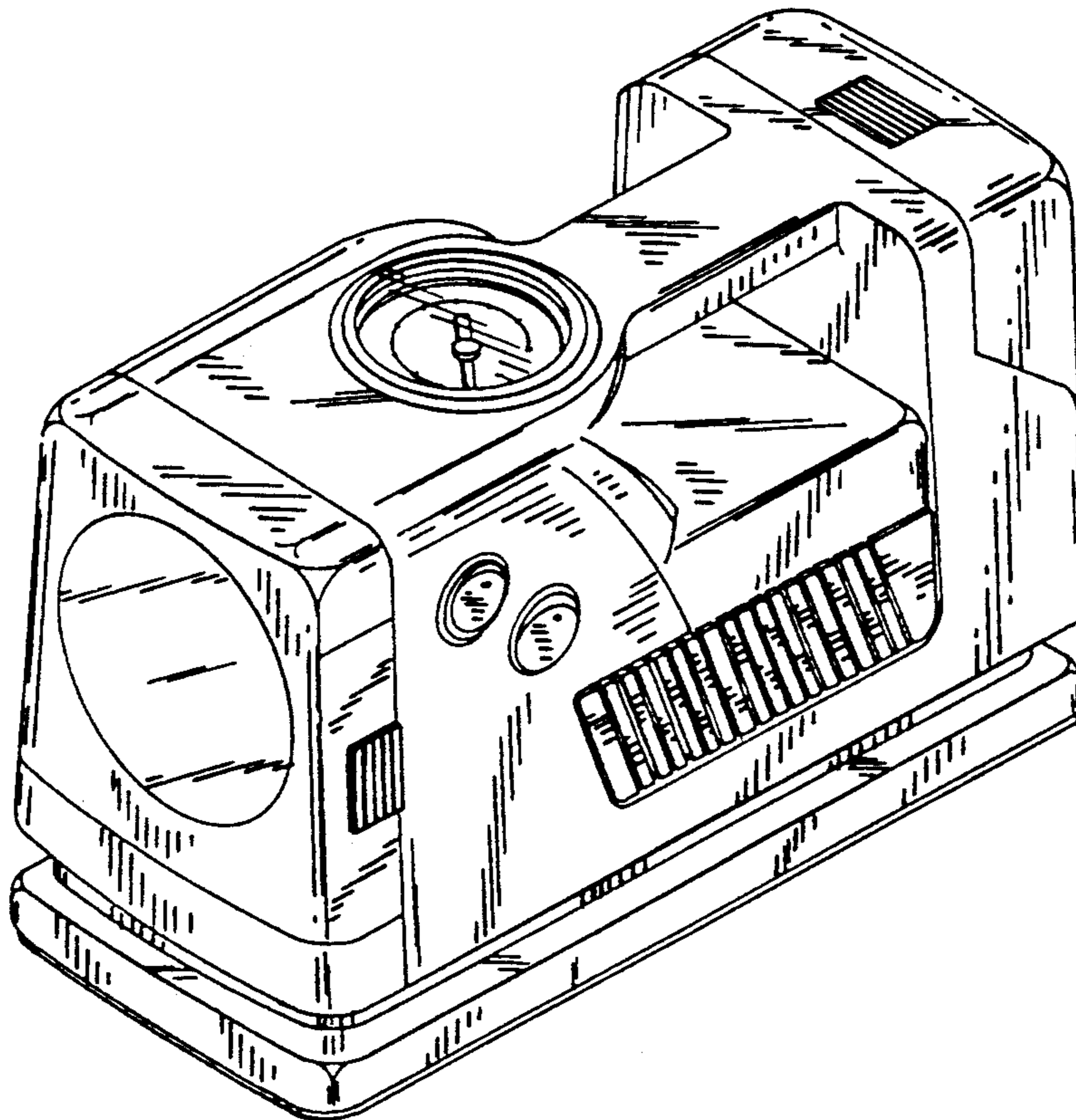
FIG. 3 is a rear elevational view thereof;

FIG. 4 is a left side elevational view thereof;

FIG. 5 is a right side elevational view thereof;

FIG. 6 is a top plan view thereof; and,

FIG. 7 is a bottom plan view thereof.



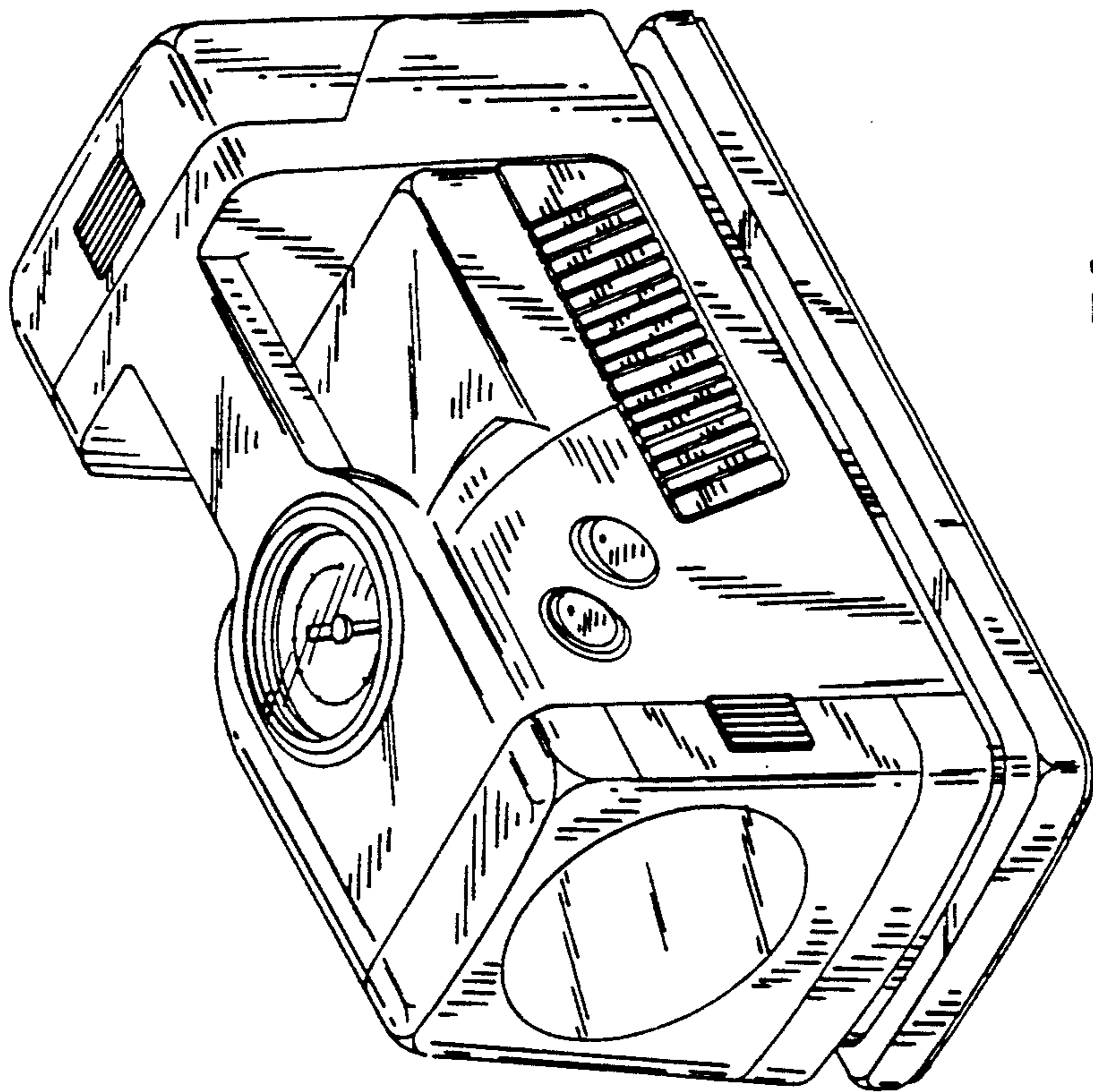


FIG. 1

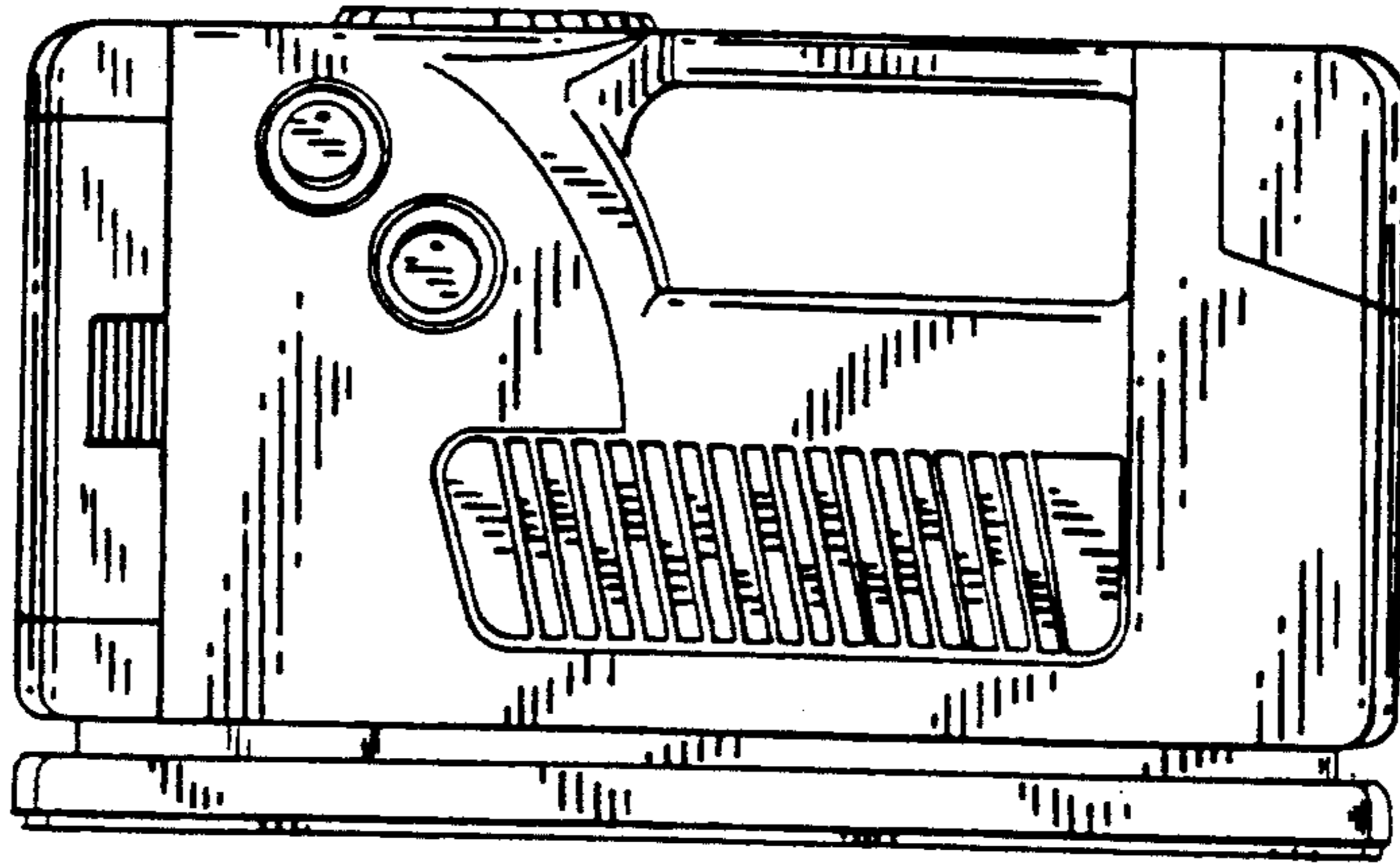


FIG. 2

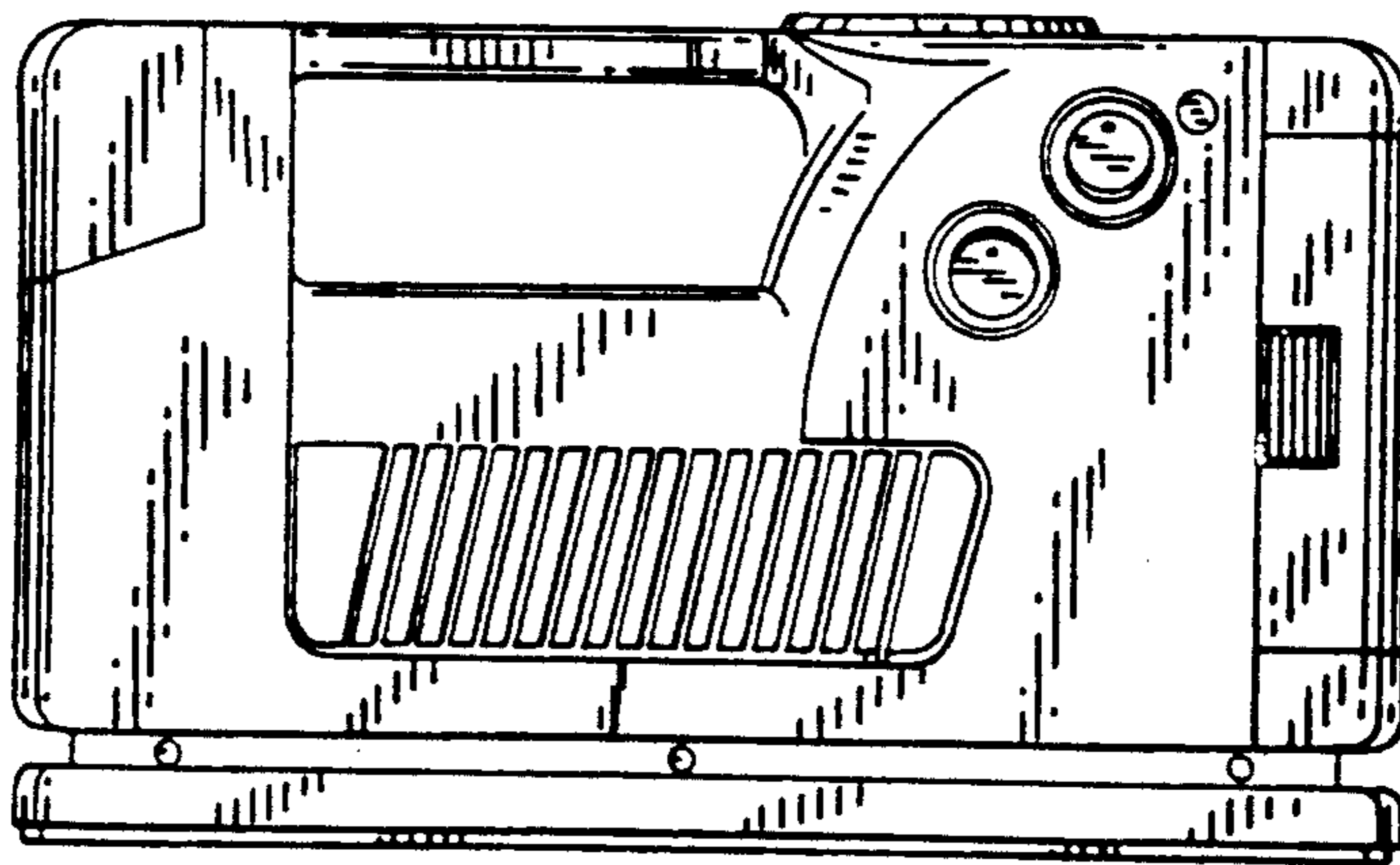


FIG. 3

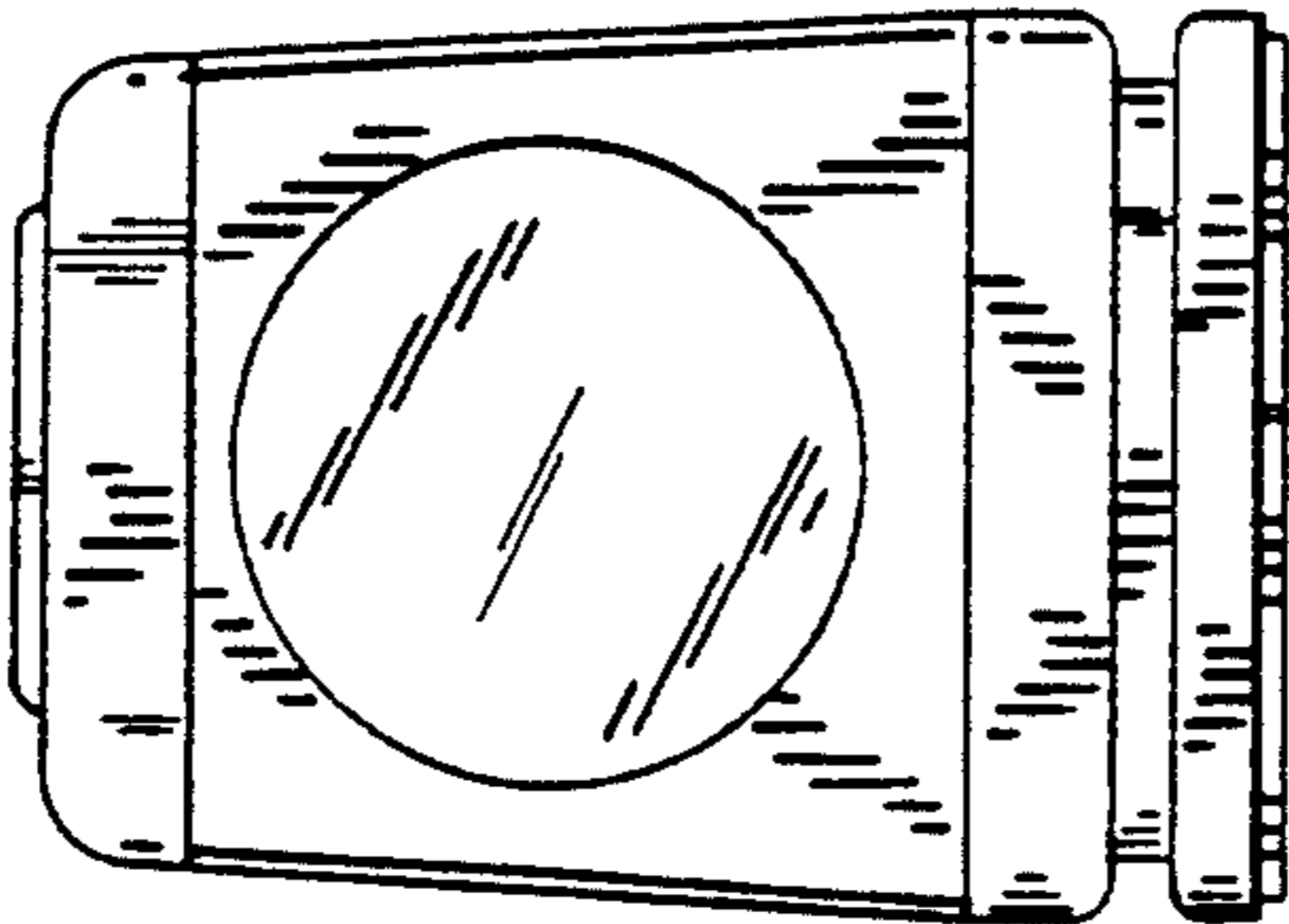


FIG. 4

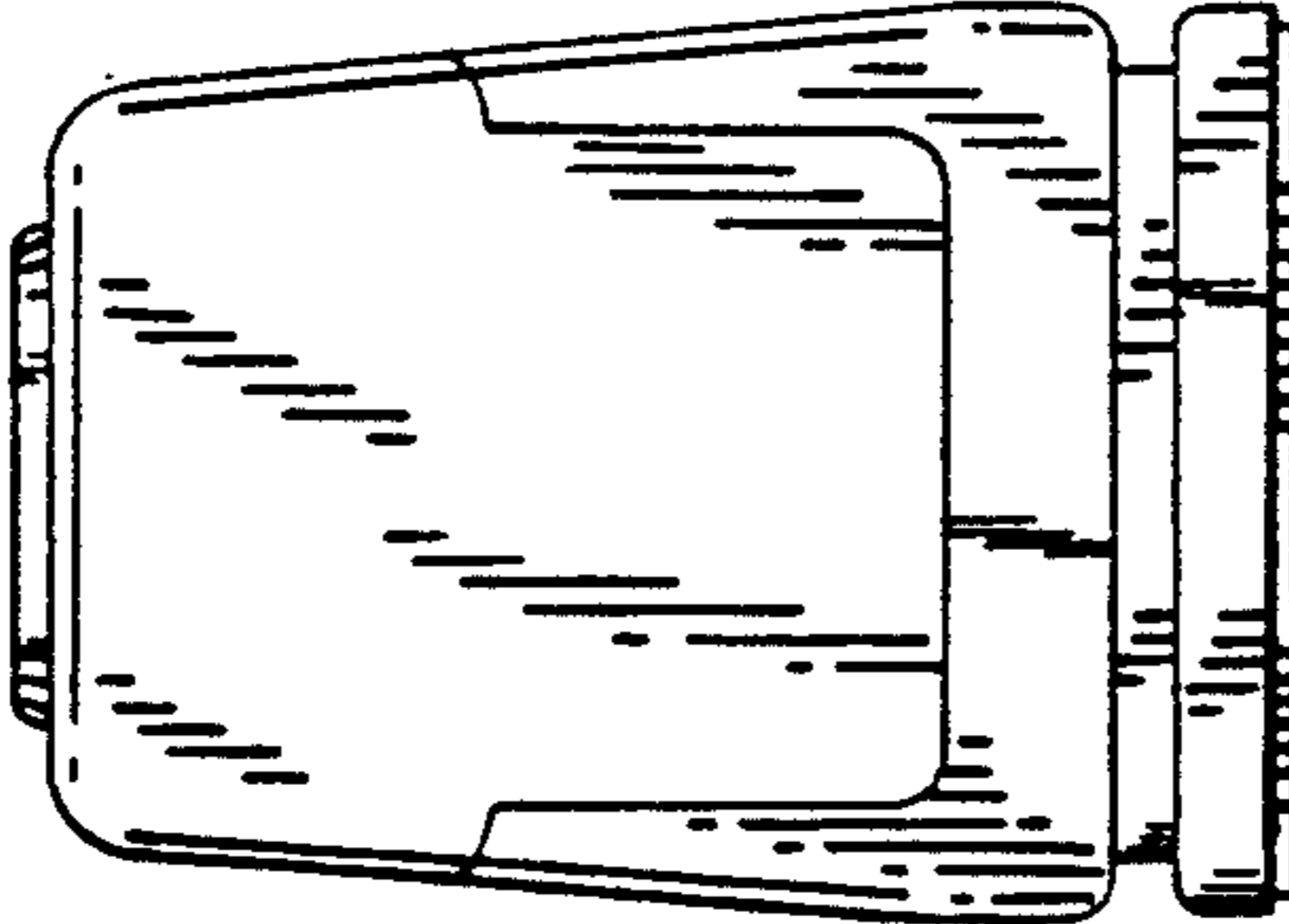


FIG. 5

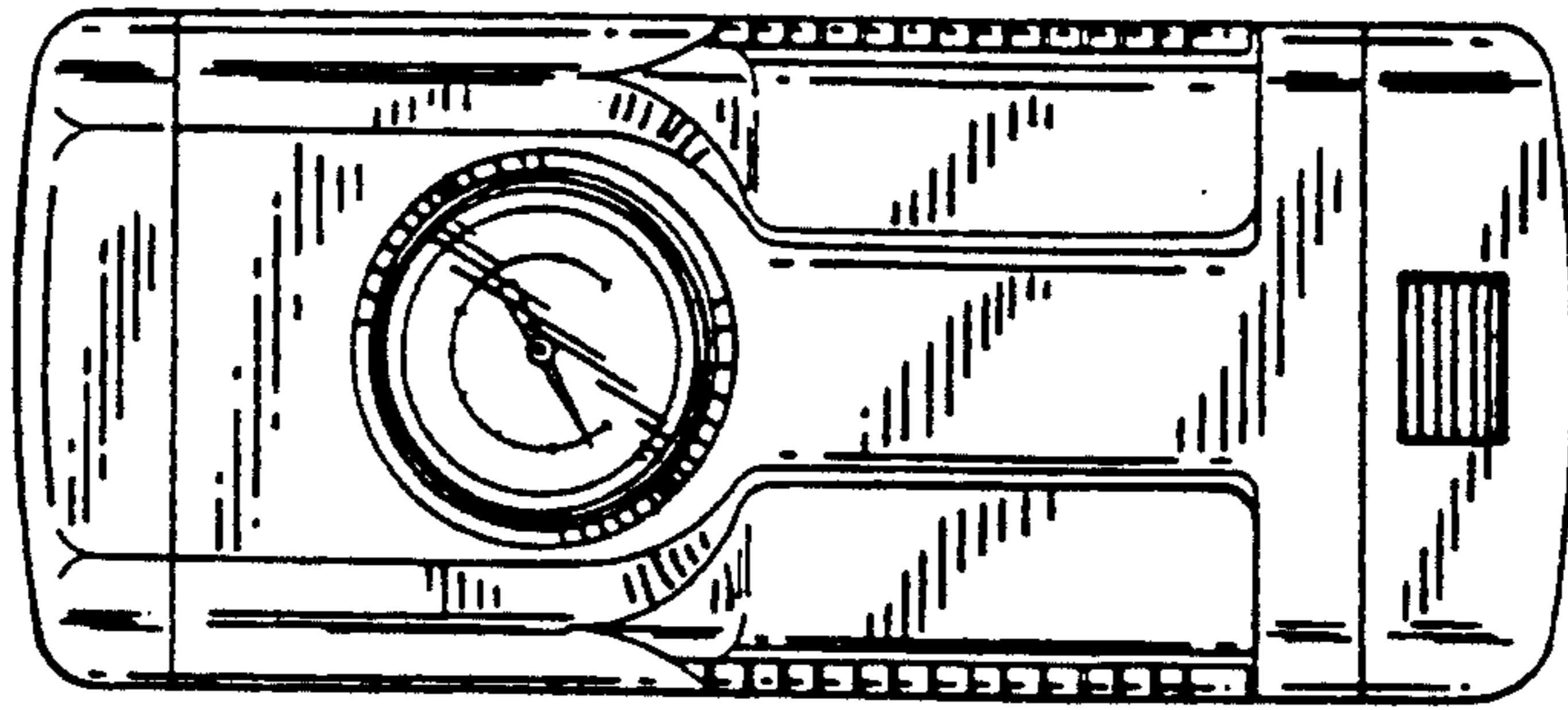


FIG. 6

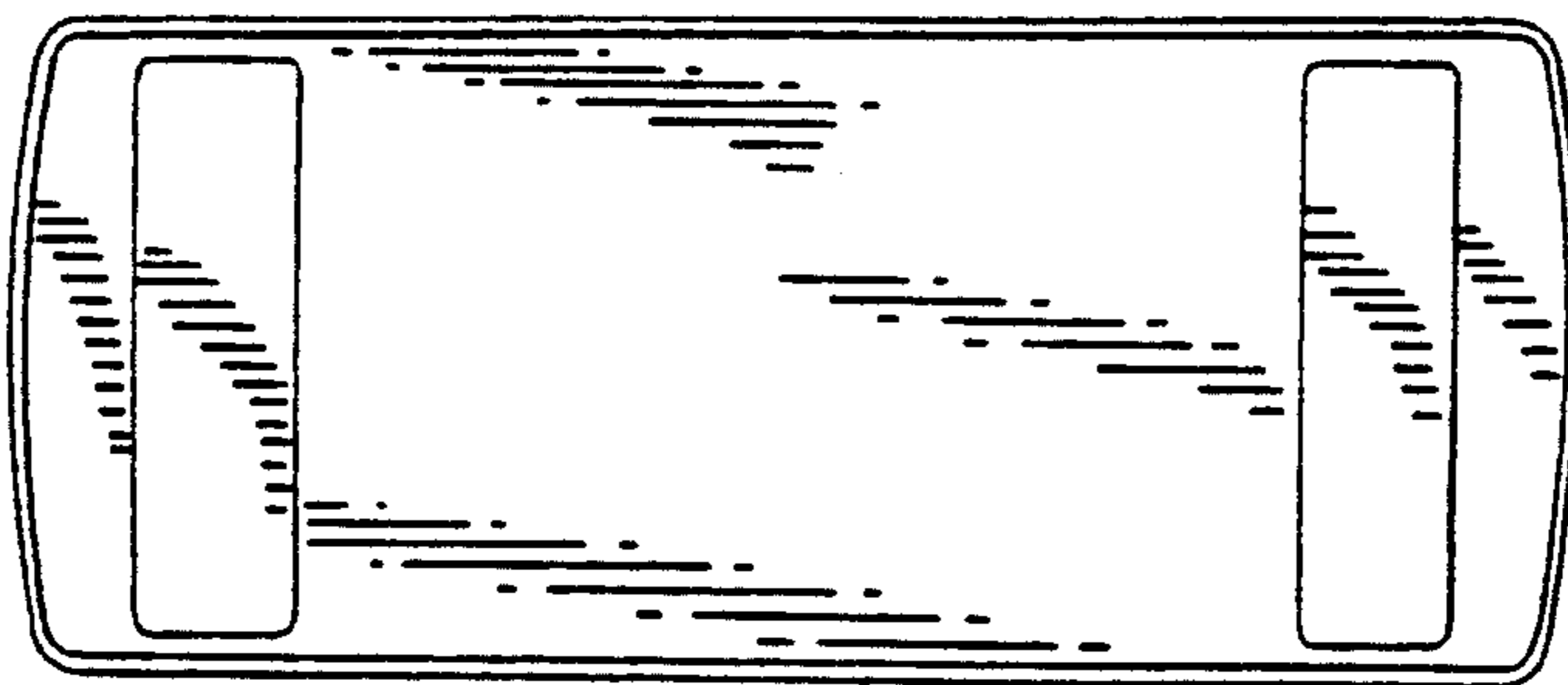


FIG. 7