



US00D340725S

United States Patent [19]

[11] Patent Number: **Des. 340,725**

Kelderman

[45] Date of Patent: **** Oct. 26, 1993**

[54] **RAKE CART**

[76] Inventor: **Gary L. Kelderman, R.R. 1, Oskaloosa, Iowa 52577**

[**] Term: **14 Years**

[21] Appl. No.: **682,017**

[22] Filed: **Apr. 8, 1991**

[52] U.S. Cl. **D15/27**

[58] Field of Search **D15/10.11, 27, 200; 56/15.9, 365, 366, 377, 384, DIG. 2**

[56] **References Cited**

U.S. PATENT DOCUMENTS

D. 244,192	5/1977	Murray	D15/28
D. 244,751	6/1977	Watts	D15/11
D. 245,695	9/1977	Watts	D15/11
D. 267,320	12/1982	Symonds	D15/11
D. 274,816	7/1984	Yoder	D15/27
D. 279,192	6/1985	Marler	D15/27
D. 299,721	2/1989	Webster	D15/11
4,214,428	7/1980	Caraway	56/341
4,445,706	5/1984	Jarosek	172/310
4,527,935	7/1985	Fortenberry	414/685
4,723,401	2/1988	Webster et al.	56/377
4,723,402	2/1988	Webster et al.	56/377
4,753,063	6/1988	Buck	56/377
4,974,407	12/1990	Rowe et al.	56/377
4,977,734	12/1990	Rowe et al.	56/159

OTHER PUBLICATIONS

Copy of 4-page brochure—ICAM—International Company of Agricultural Machineries and entitled Mounted Side-Delivery Rake, undated.

Copy of 4-page brochure of ICAM—International Company of Agricultural Machineries and entitled Mounted Side-Delivery Rake Series IR/3-IR/4-IR/5-IRV/8-IRV/10 undated.

Primary Examiner—Bernard Ansher
Assistant Examiner—Sandra Morris
Attorney, Agent, or Firm—Henderson & Sturm

[57] **CLAIM**

The ornamental design for a rake cart or the like, as shown and described.

DESCRIPTION

FIG. 1 is a top plan view of a rake cart showing my new design, and showing finger wheel rakes and a tractor in dashed lines for illustrative purposes only;

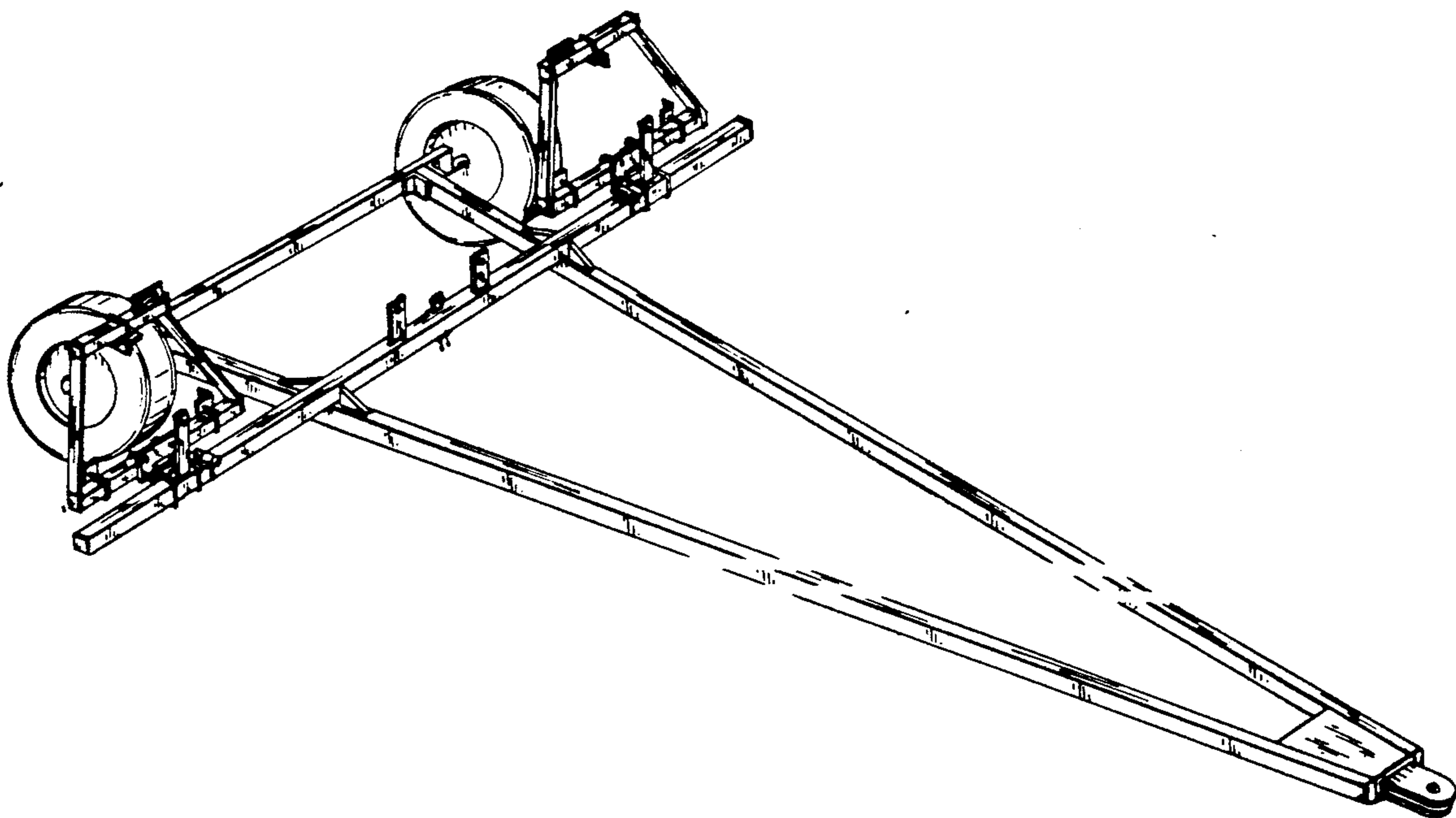
FIG. 2 is a top plan view thereof;

FIG. 3 is a side elevational view thereof, the opposite side being a mirror image of the side shown;

FIG. 4 is a front view thereof;

FIG. 5 is a rear view thereof having a portion of each tire broken away; and,

FIG. 6 is a perspective view thereof.



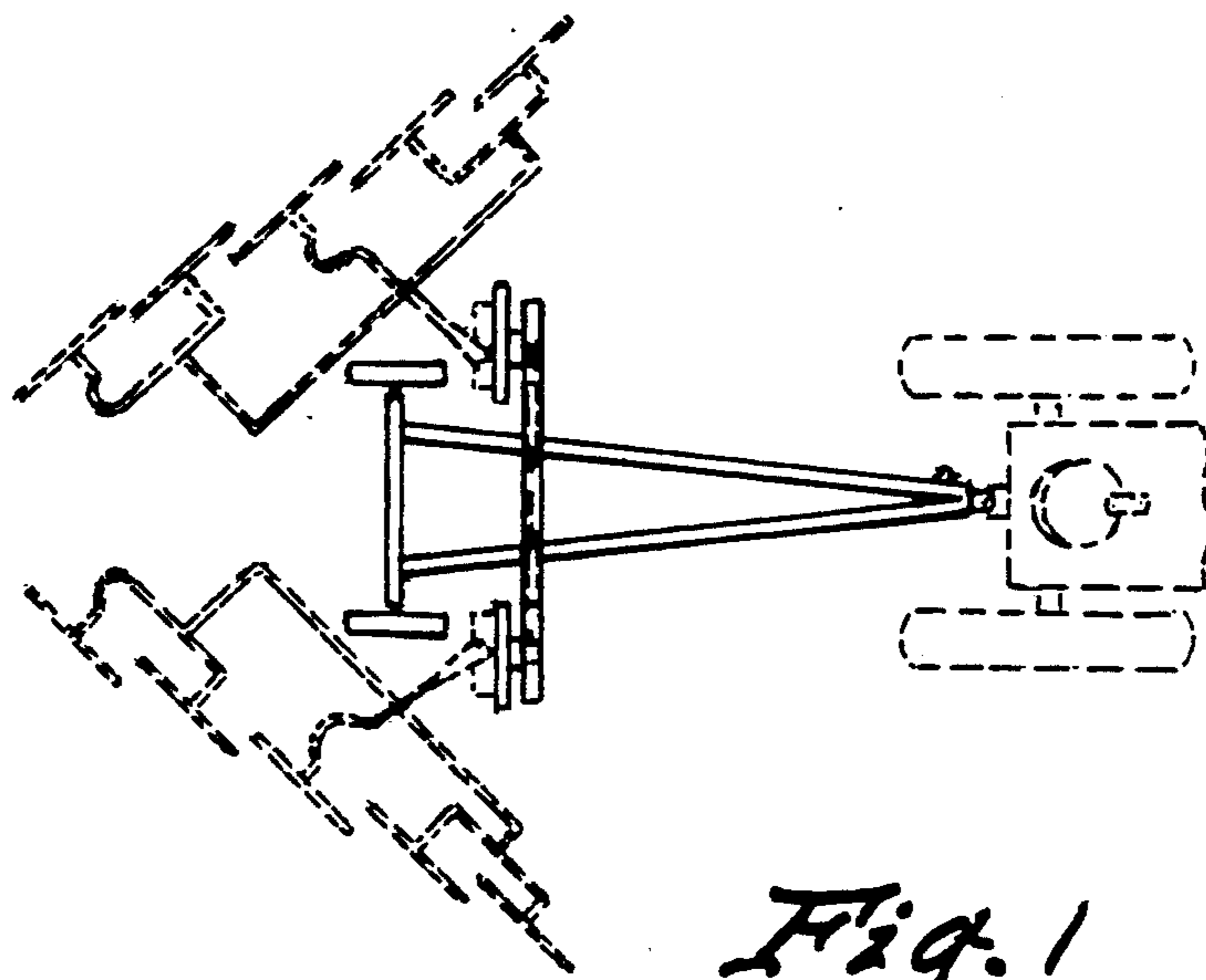


Fig. 1

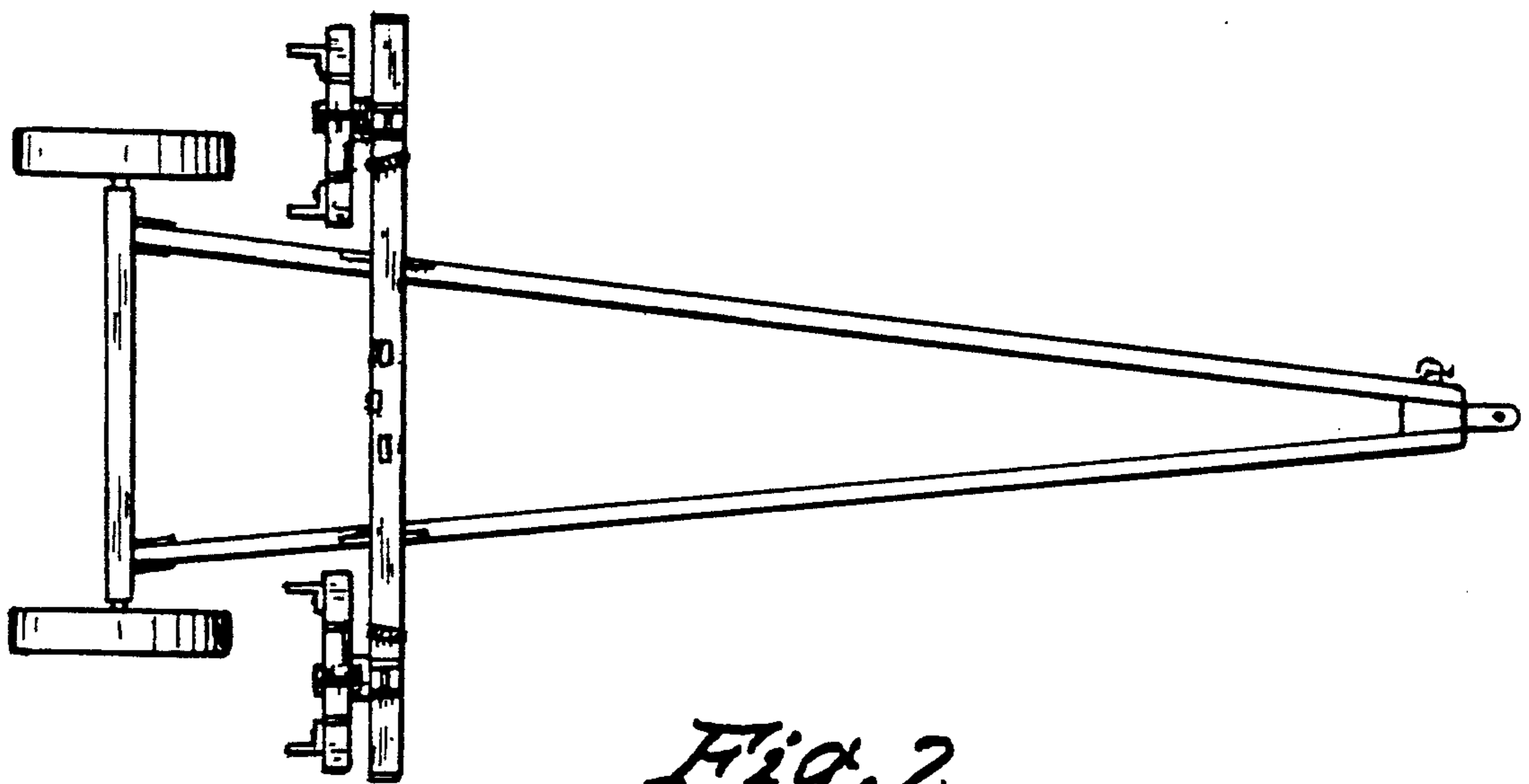


Fig. 2

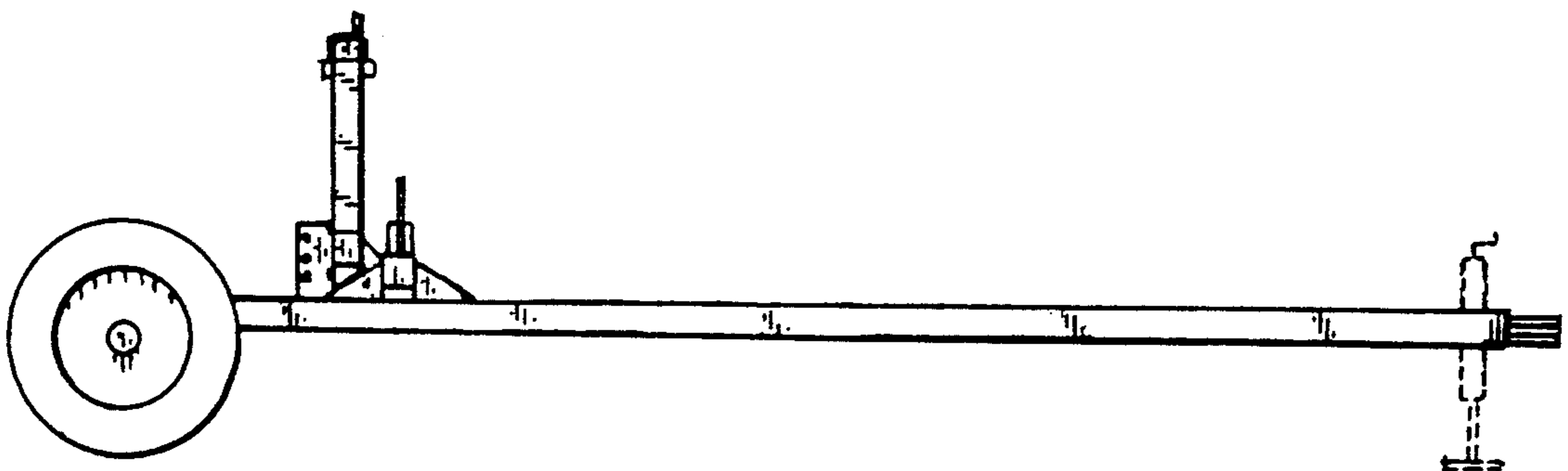


Fig. 3

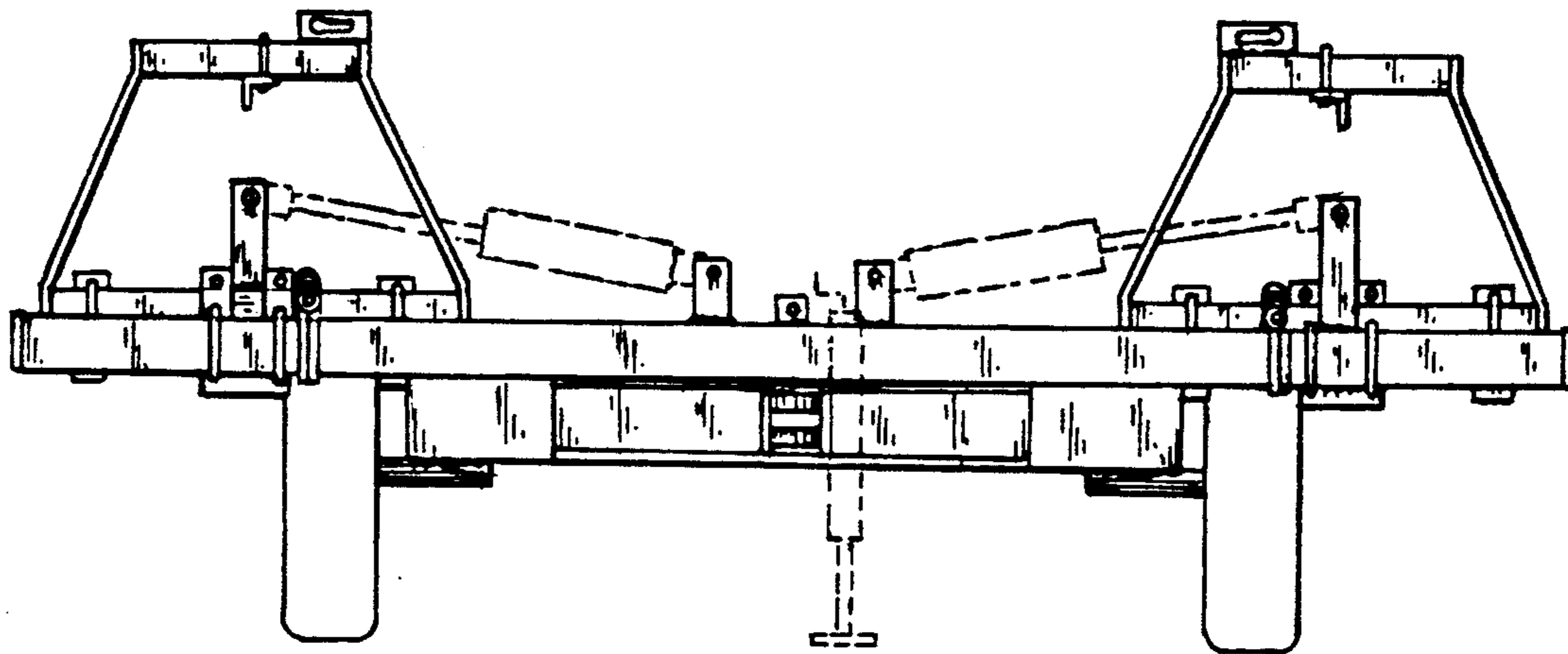


Fig. 4

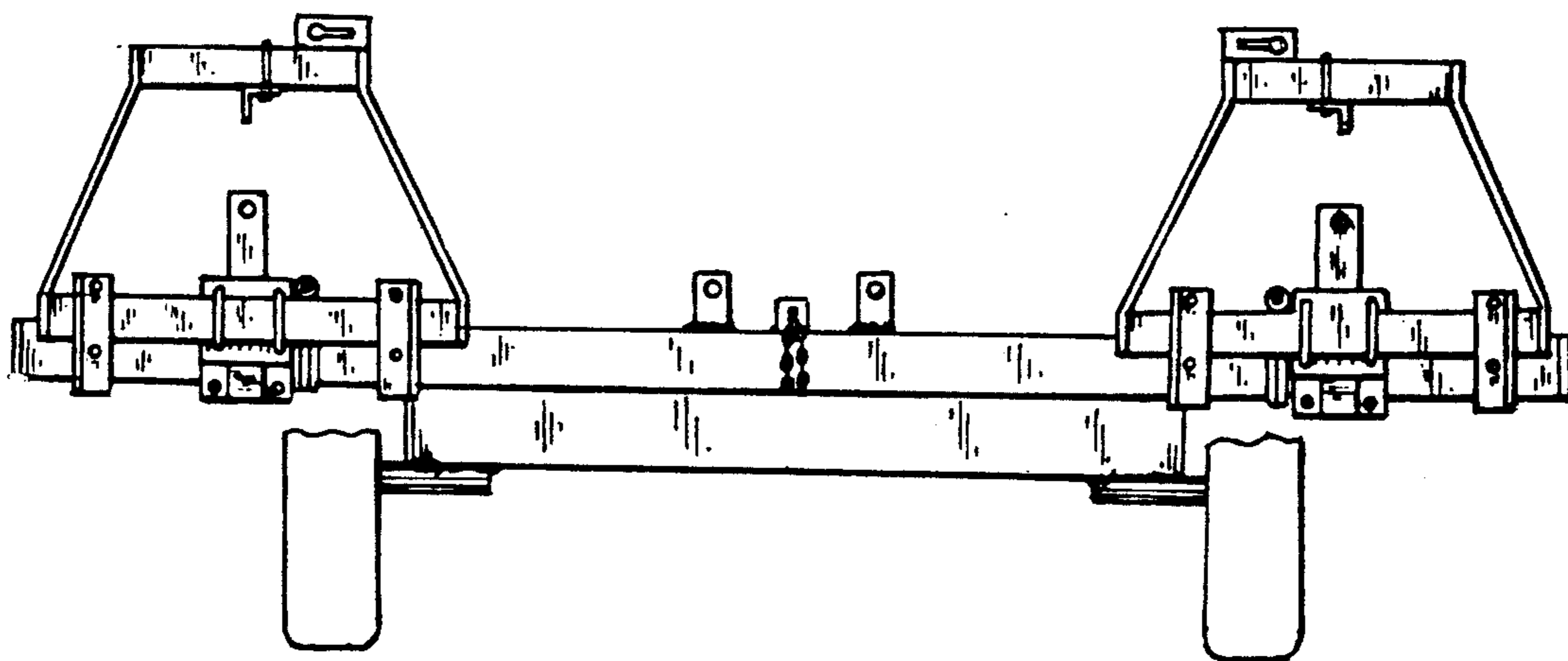


Fig. 5

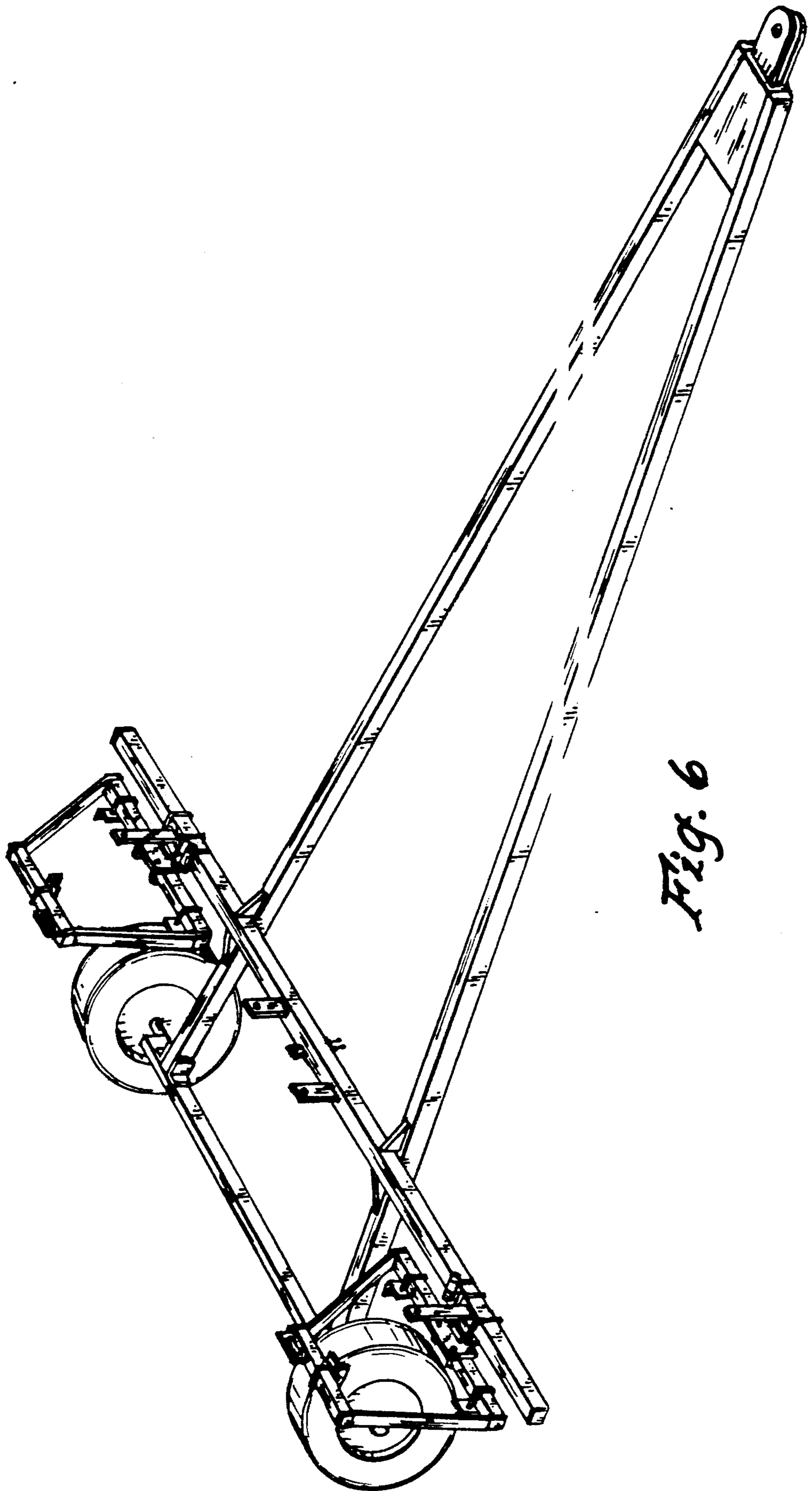


Fig. 6