



US00D340724S

# United States Patent [19]

[11] Patent Number: Des. 340,724

Mariol

[45] Date of Patent: \*\* Oct. 26, 1993

[54] AIRLESS PAINT PUMP

[75] Inventor: James F. Mariol, Cincinnati, Ohio

[73] Assignee: Campbell Hausfeld/Scott Fetzer Company, Westlake, Ohio

[\*\*] Term: 14 Years

[21] Appl. No.: 740,478

[22] Filed: Aug. 5, 1991

[52] U.S. Cl. .... D15/7

[58] Field of Search ..... D15/7, 8, 9; 366/605; 417/234; 401/196, 197, 203, 204, 218, 219

4,217,062	8/1980	Trp et al. .	
4,231,668	11/1980	Groth et al. .	
4,422,789	12/1983	Charney et al. .	
4,551,036	11/1985	Karliner et al. .	
4,639,156	1/1987	Stern et al. ....	401/146
4,790,679	12/1988	Murphy .....	401/146
5,071,278	12/1991	Chen .....	401/146

Primary Examiner—A. Hugo Word  
Assistant Examiner—R. Seifert  
Attorney, Agent, or Firm—Wood, Herron & Evans

### [57] CLAIM

The ornamental design for an airless paint pump, as shown and described.

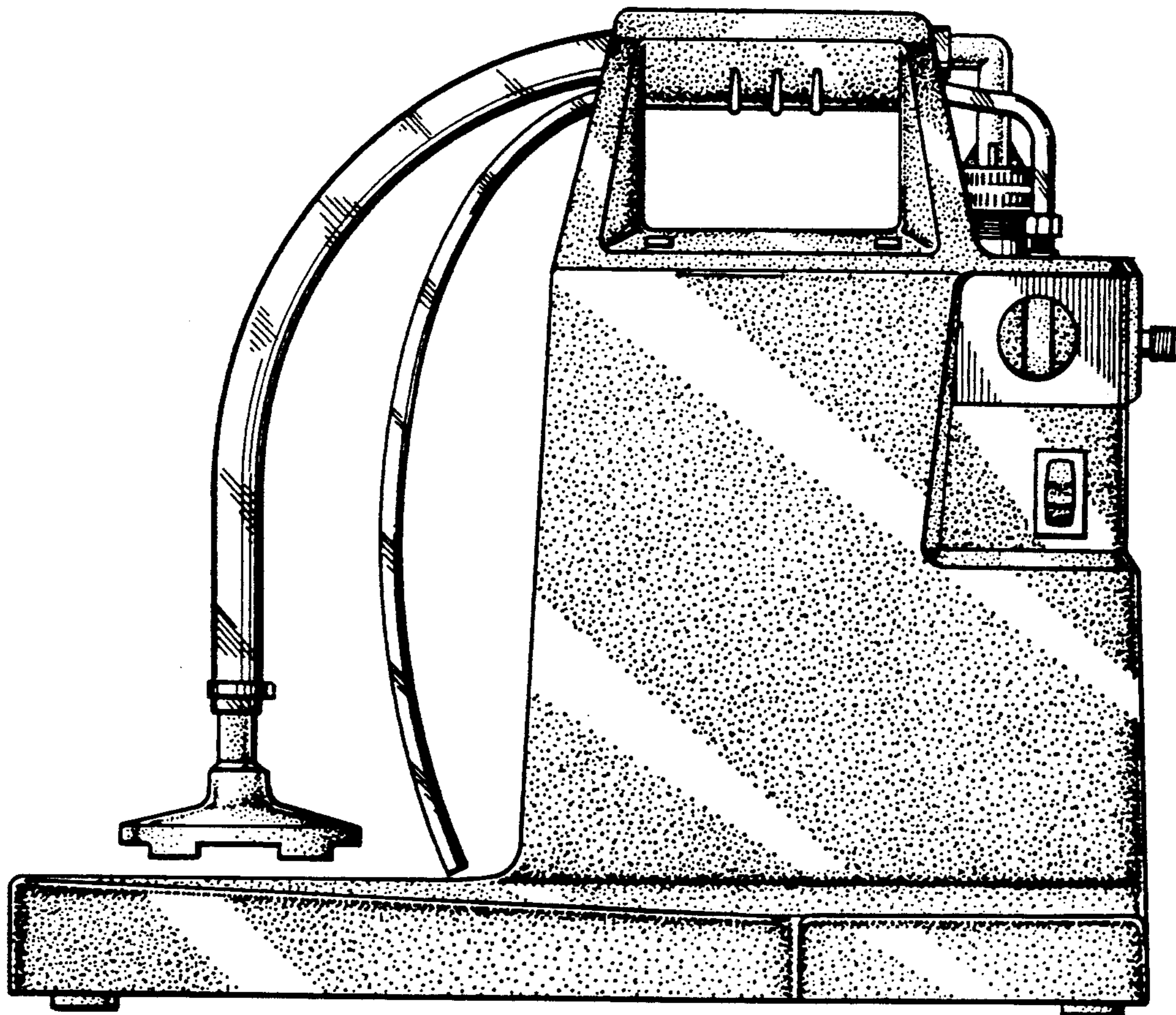
### [56] References Cited

#### U.S. PATENT DOCUMENTS

D. 243,690	3/1977	Doyel .....	D15/7
D. 281,070	10/1985	Karliner et al. .	
D. 289,402	4/1987	Carlson et al. ....	D15/7
D. 290,126	6/1987	Krapowicz .	
D. 294,147	2/1988	Charney et al. ....	D15/7
2,677,839	11/1954	Dean .....	401/197
3,192,554	7/1965	Karkut .	
3,195,170	7/1965	Howard .	
3,457,017	7/1969	Bastian .	
4,072,429	2/1978	Terzian et al. .	

### DESCRIPTION

FIG. 1 is a perspective view of an airless paint pump showing my new design, the broken line showing of a bucket, hose power cord and paint gun is for illustrative purposes only and forms no part of the claimed design; FIG. 2 is a front elevational view; FIG. 3 is a rear elevational view; FIG. 4 is a side elevational view; FIG. 5 is a top plan view; FIG. 6 is a side elevational view showing the side opposite that shown in FIG. 4; and, FIG. 7 is a bottom plan view.





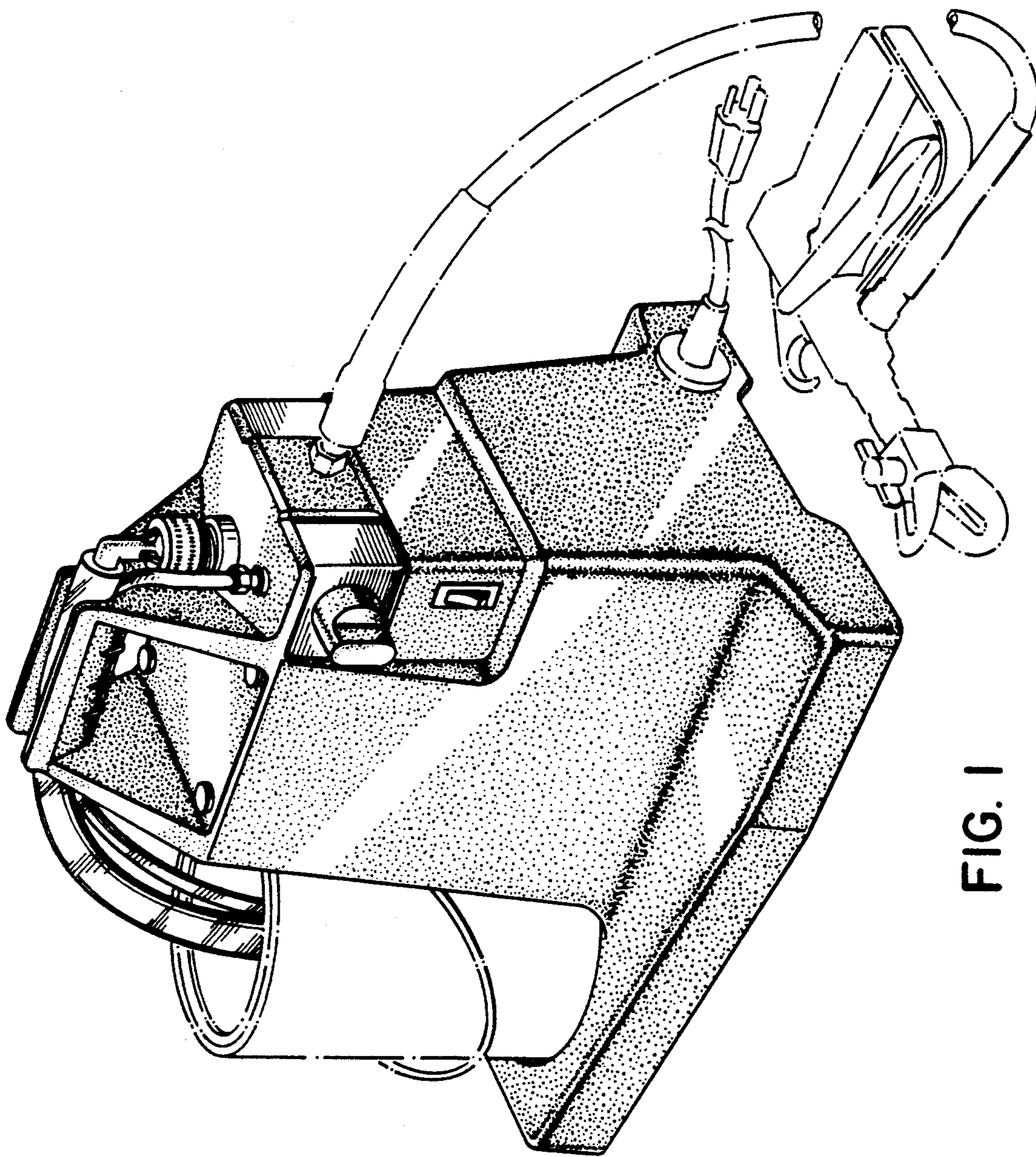


FIG. 1

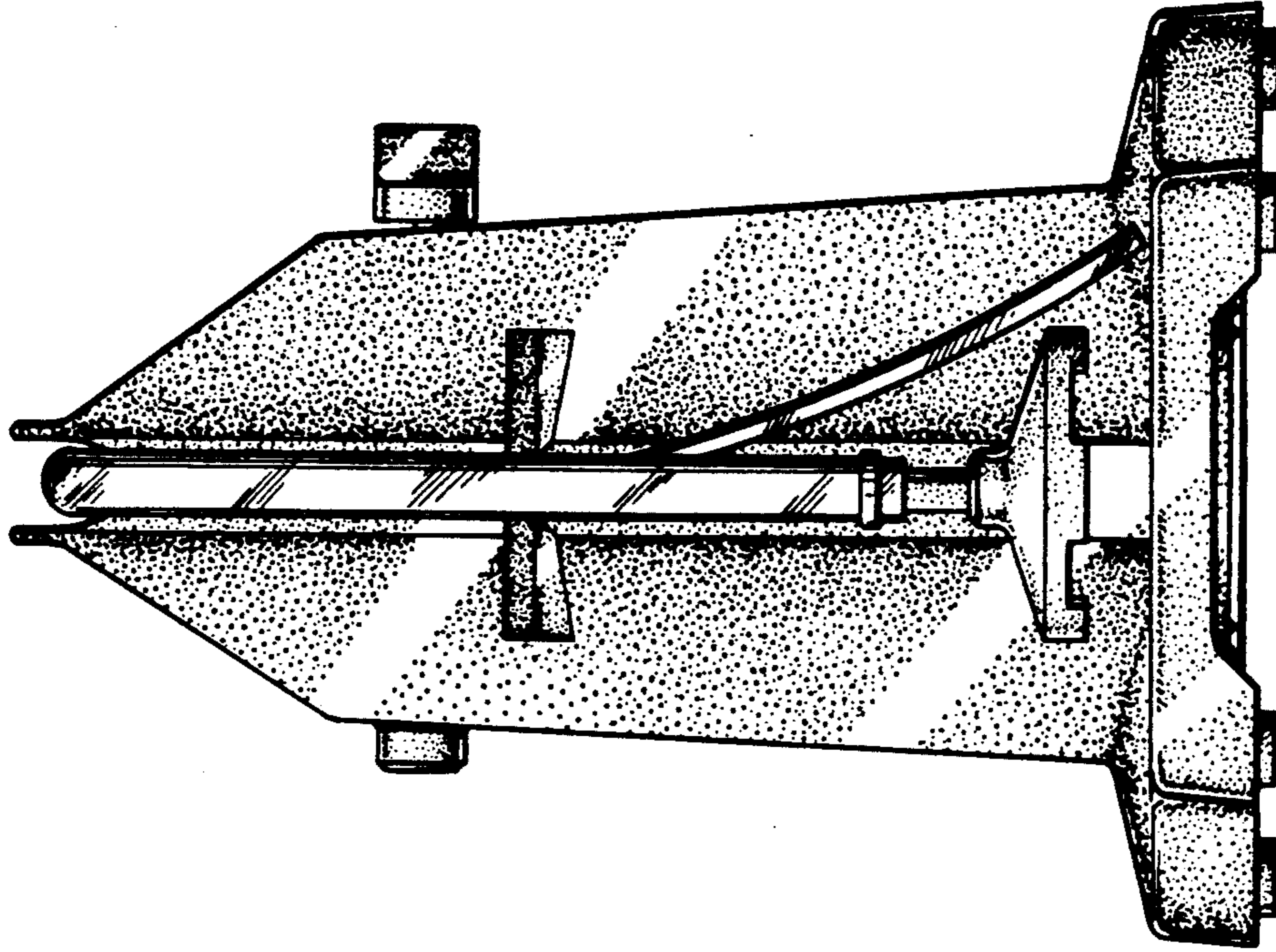


FIG. 3

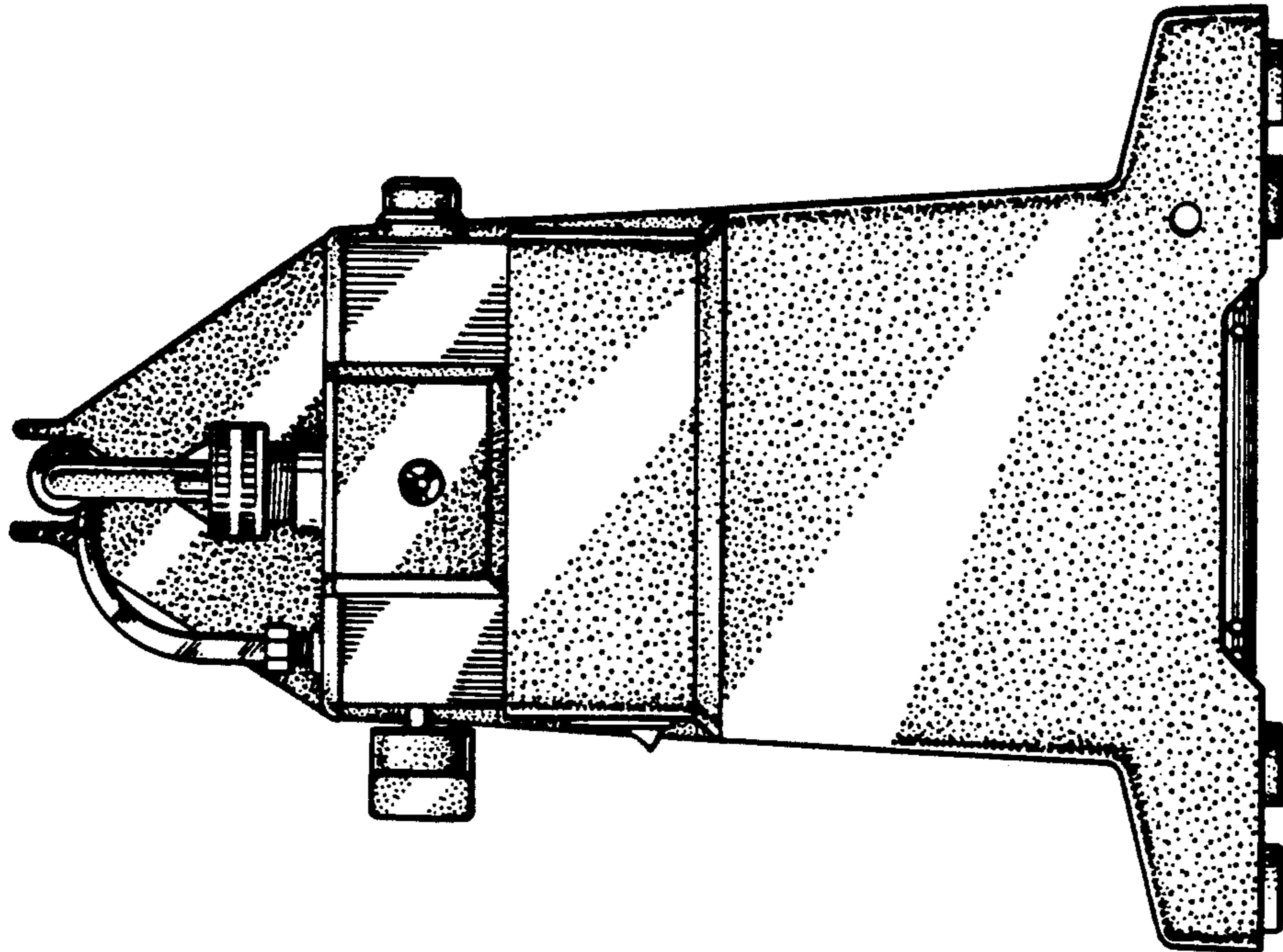


FIG. 2



FIG. 4

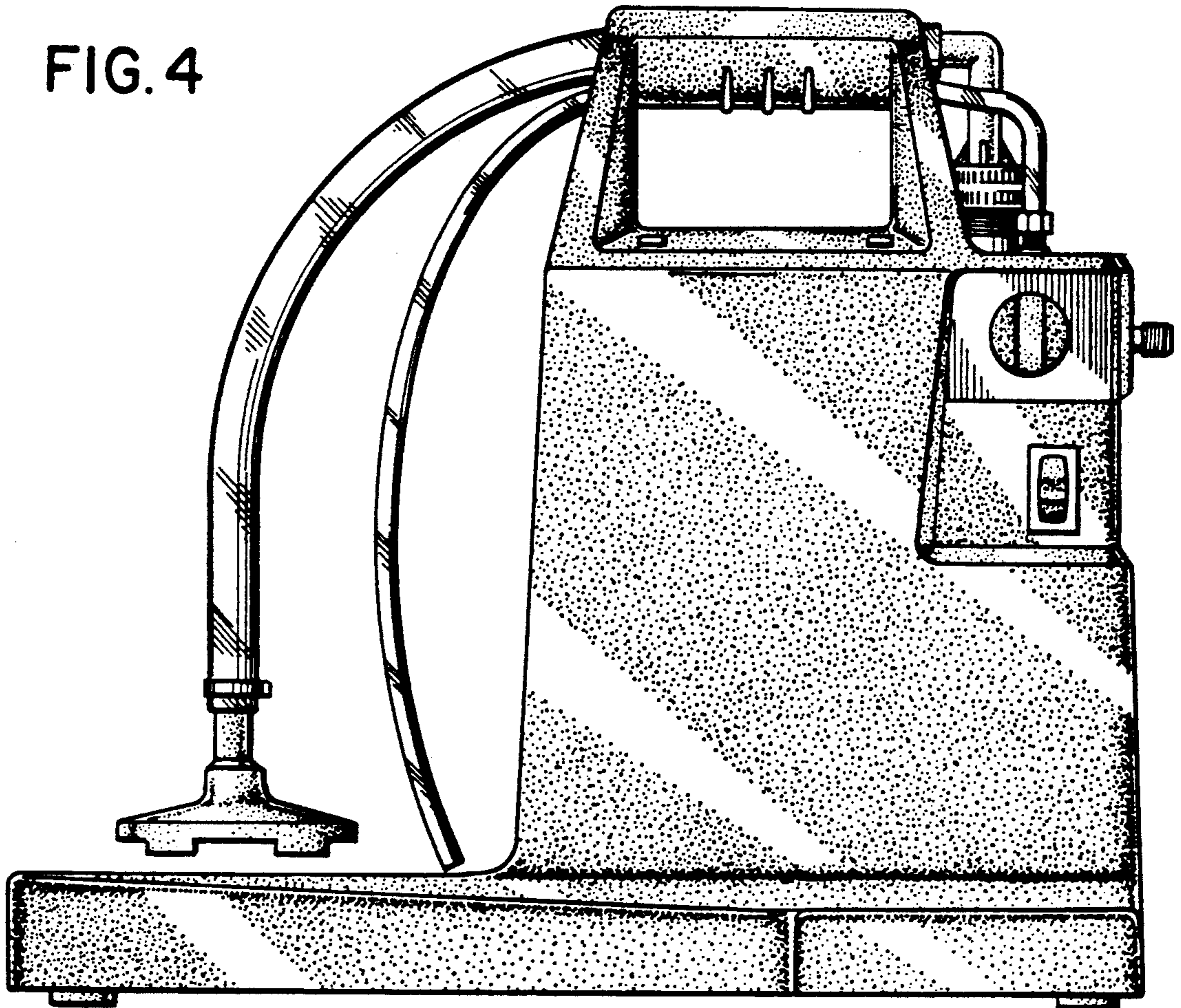
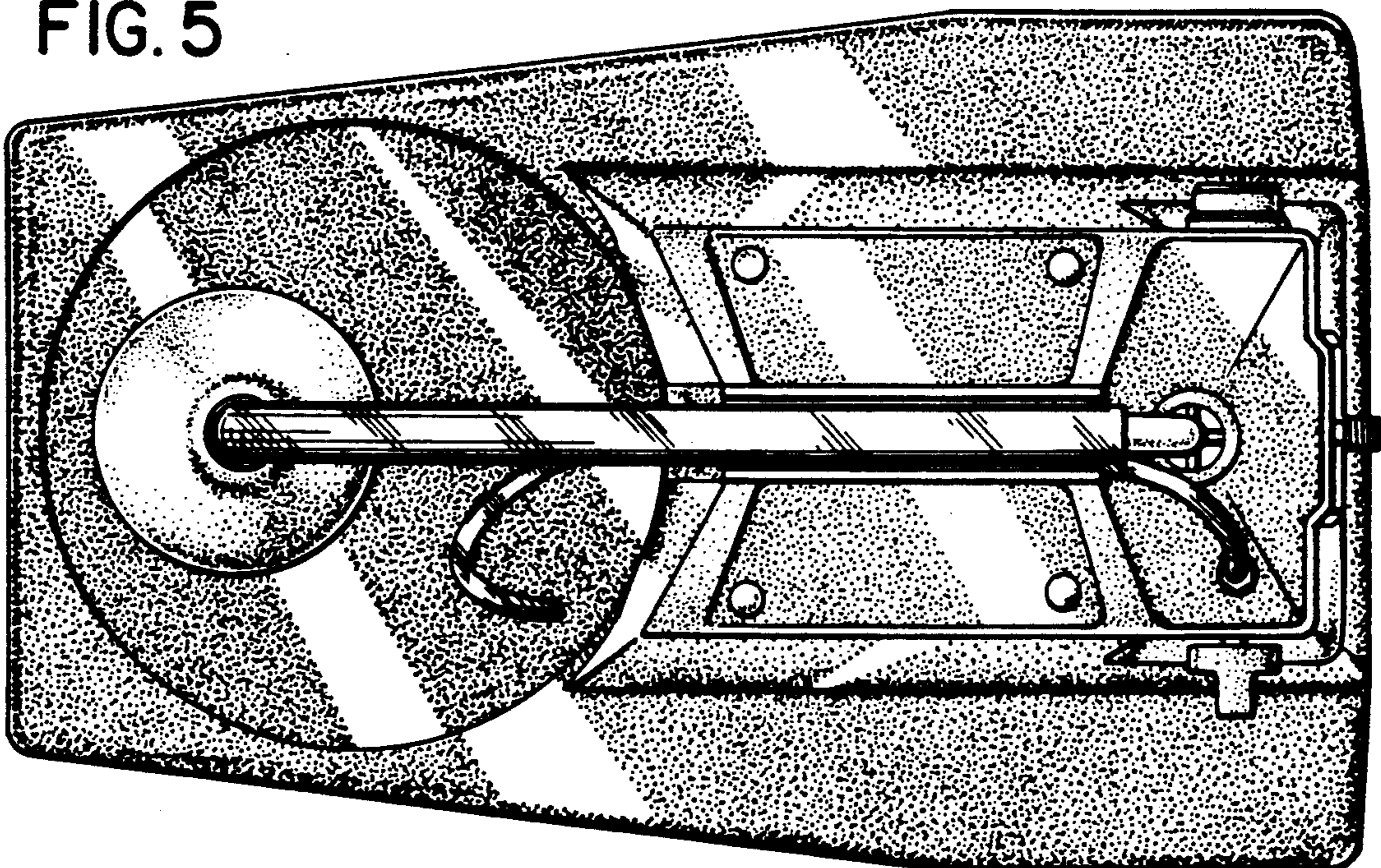


FIG. 5





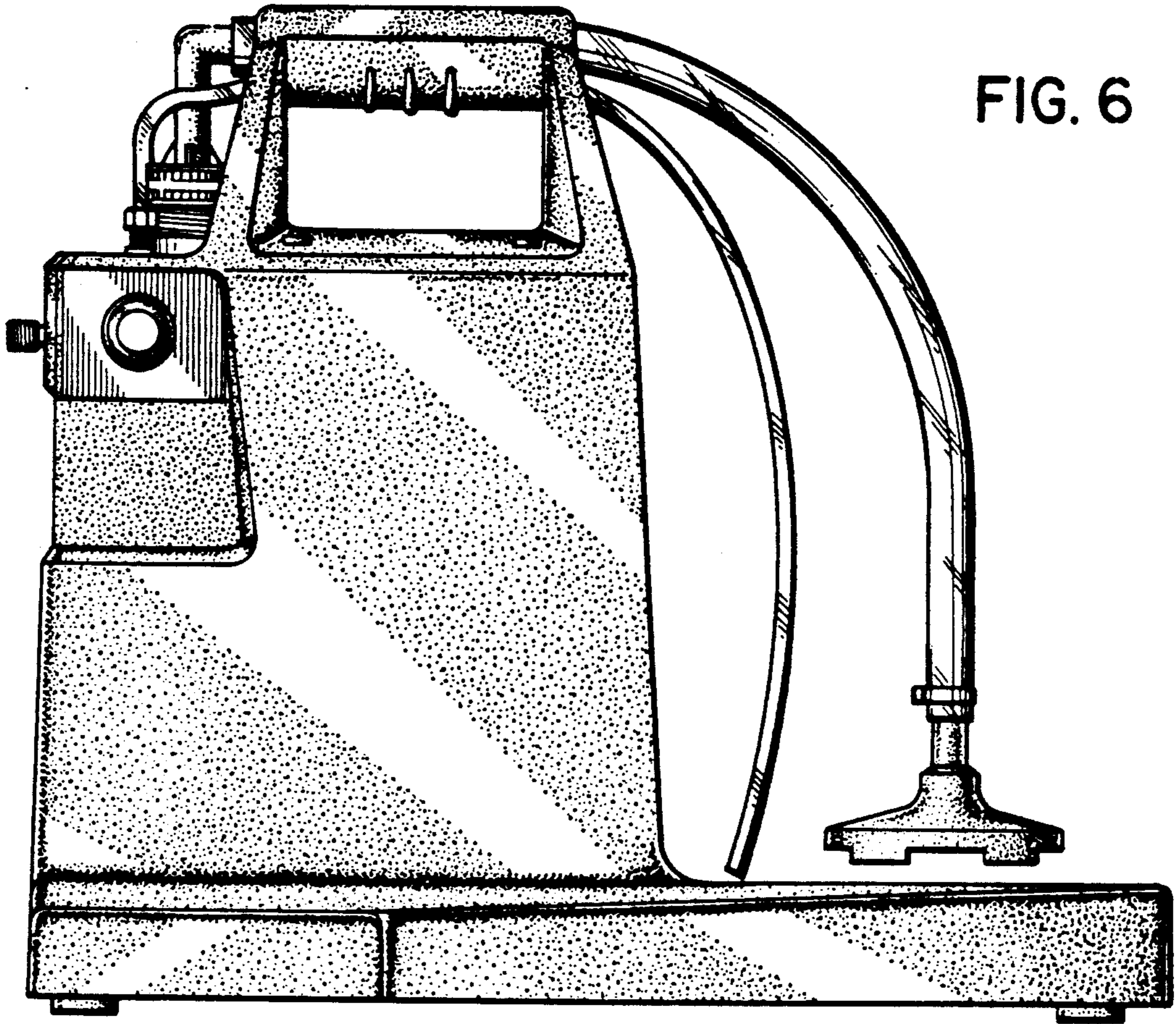


FIG. 6

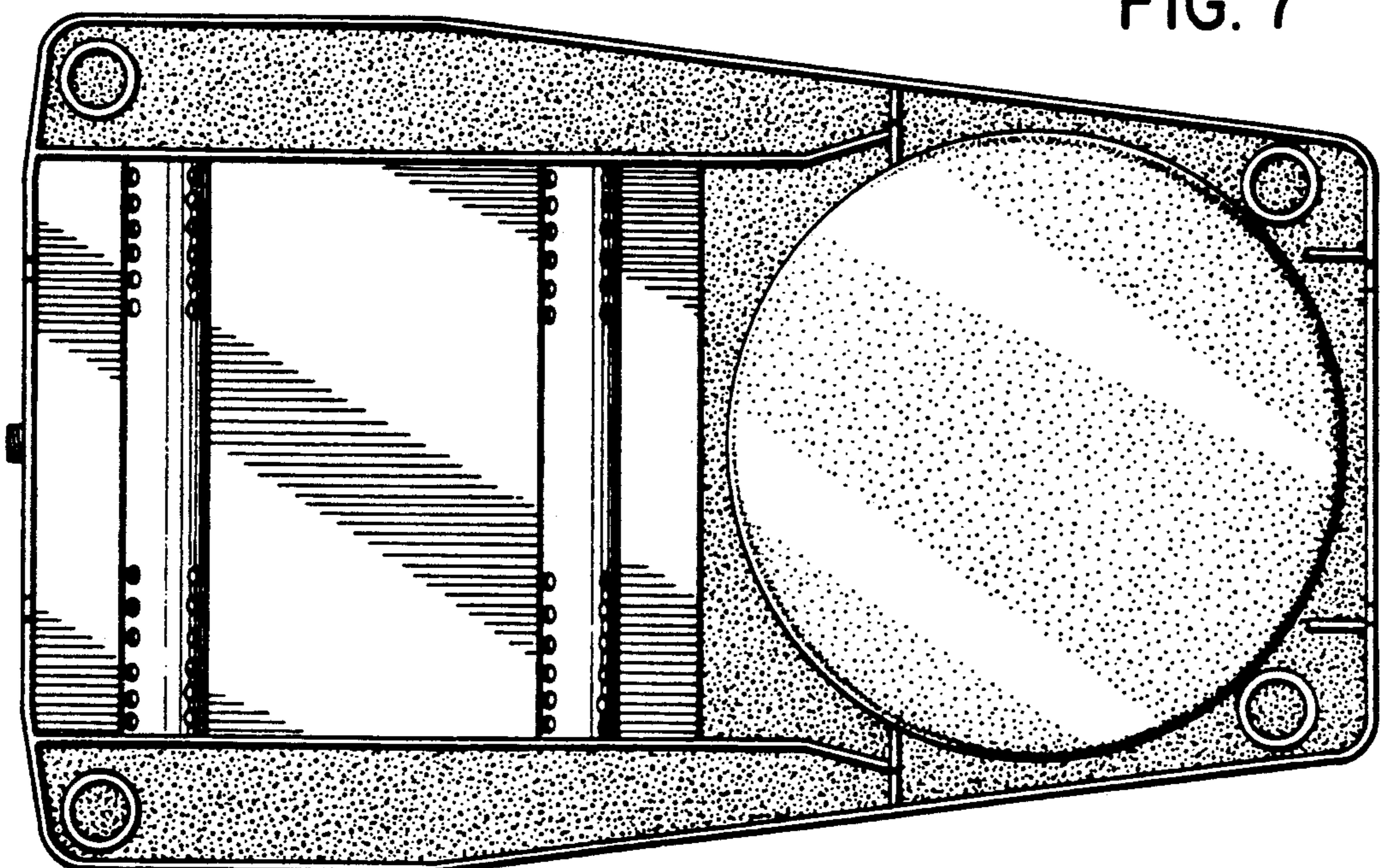


FIG. 7