



US00D340723S

# United States Patent [19]

[11] Patent Number: **Des. 340,723**

Halligan

[45] Date of Patent: **\*\* Oct. 26, 1993**

[54] **MOBILE TELEPHONE AND OFFICE ACCESSORY STAND FOR MOUNTING IN THE INTERIOR OF A VEHICLE**

5,071,049 12/1991 Mozer ..... 224/277

[76] Inventor: **Richard M. Halligan**, 34 E. Essex St., Stockton, Calif. 95204

*Primary Examiner*—Carmen H. Vales-Lado  
*Attorney, Agent, or Firm*—Leon Gilden

[\*\*] Term: **14 Years**

[57] **CLAIM**

[21] Appl. No.: **801,076**

The ornamental design for a mobile telephone and office accessory stand for mounting in the interior of a vehicle, as shown and described.

[22] Filed: **Dec. 2, 1991**

**DESCRIPTION**

[52] U.S. Cl. .... **D14/252; D6/420**

[58] Field of Search ..... **D6/419, 420; D3/40; D12/155; D14/251, 252, 253; 248/682; 224/42.45 R, 42.42, 273, 277**

FIG. 1 is a front elevational view of the mobile telephone and office accessory stand for mounting in the interior of a vehicle showing my new design; FIG. 2 is a rear elevational view thereof; FIG. 3 is a left side elevational view thereof; FIG. 4 is a right side elevational view thereof; FIG. 5 is a top plan view thereof; FIG. 6 is a bottom plan view thereof; and, FIG. 7 is a perspective view with the office accessory items shown in broken lines for convenience of illustration and forming no part of the claimed design.

[56] **References Cited**

**U.S. PATENT DOCUMENTS**

D. 309,307	7/1990	Sigurdson	.....	D14/251
D. 323,752	2/1992	Montagner	.....	D6/420
D. 324,865	3/1992	Cooper	.....	D14/253
D. 332,789	1/1993	Rak	.....	D14/251

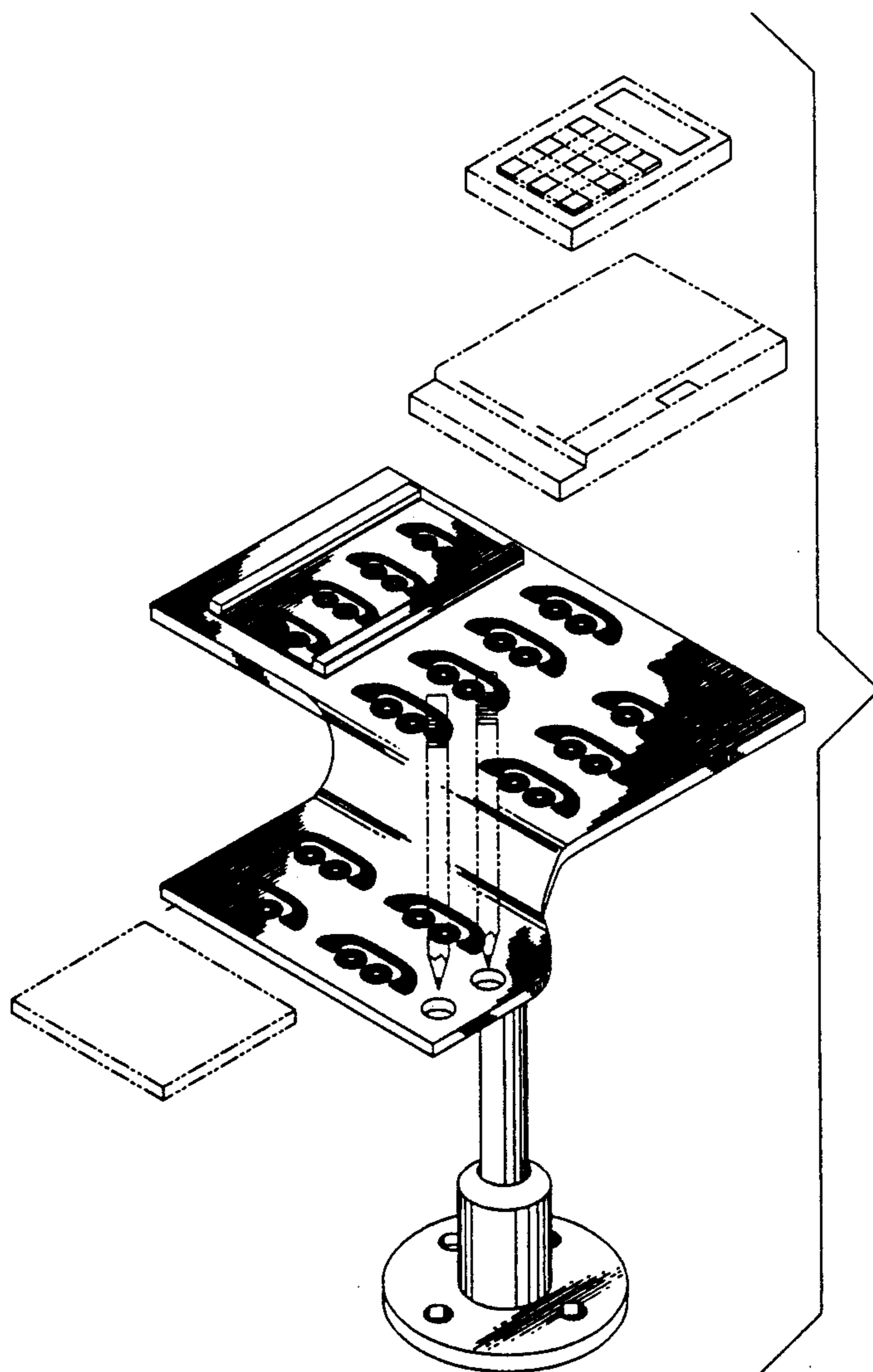


FIG. 1

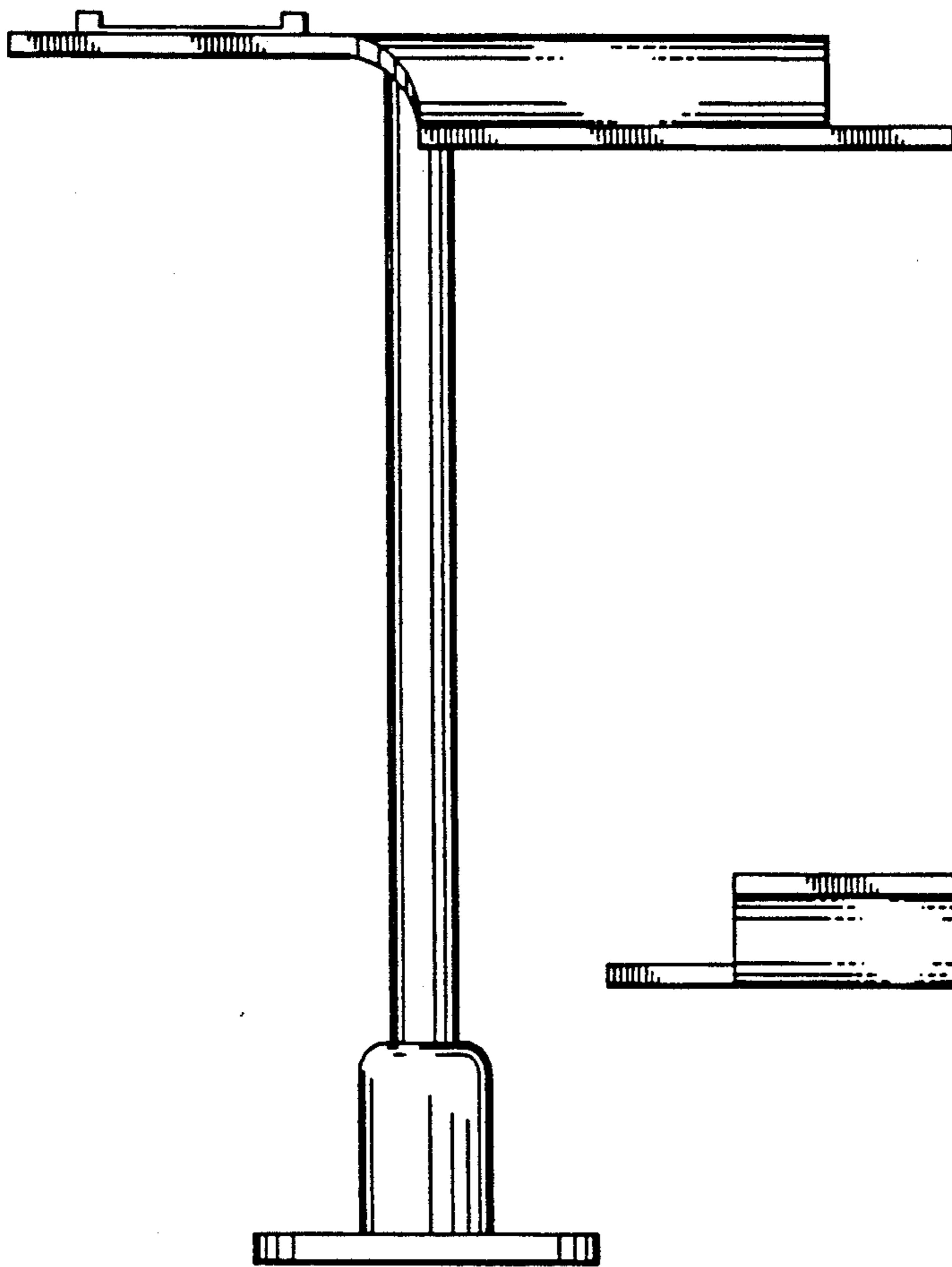


FIG. 2

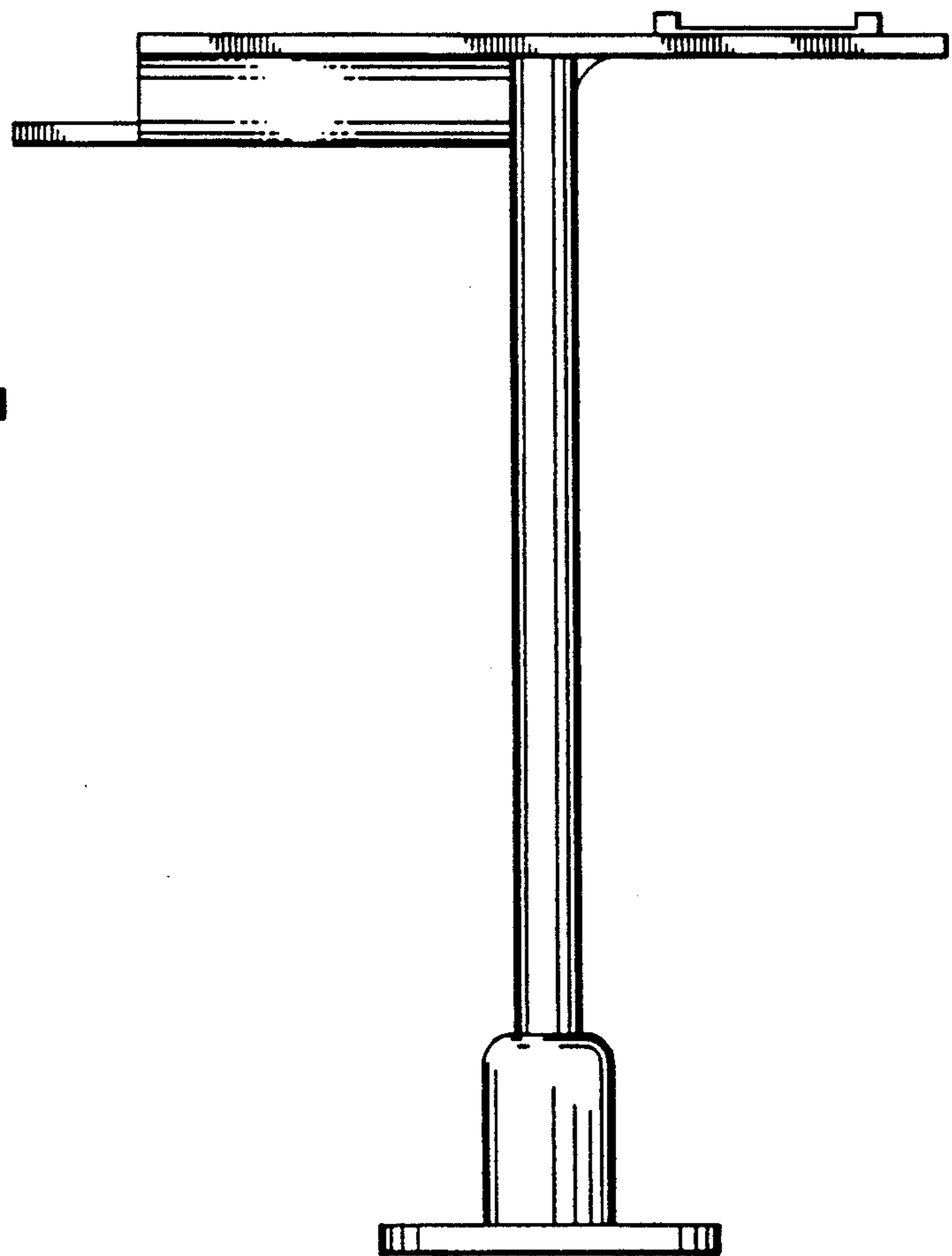


FIG. 3

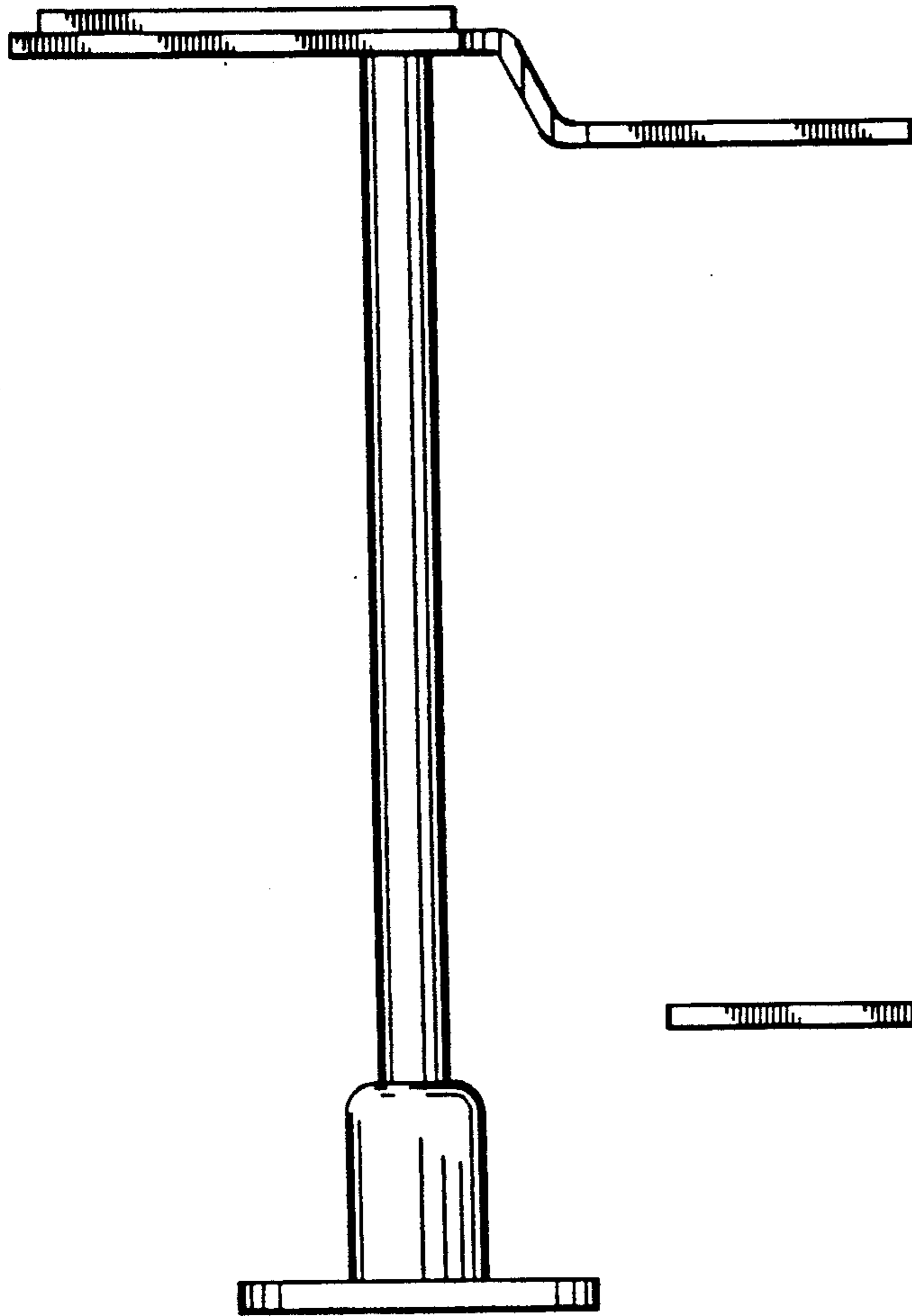


FIG. 4

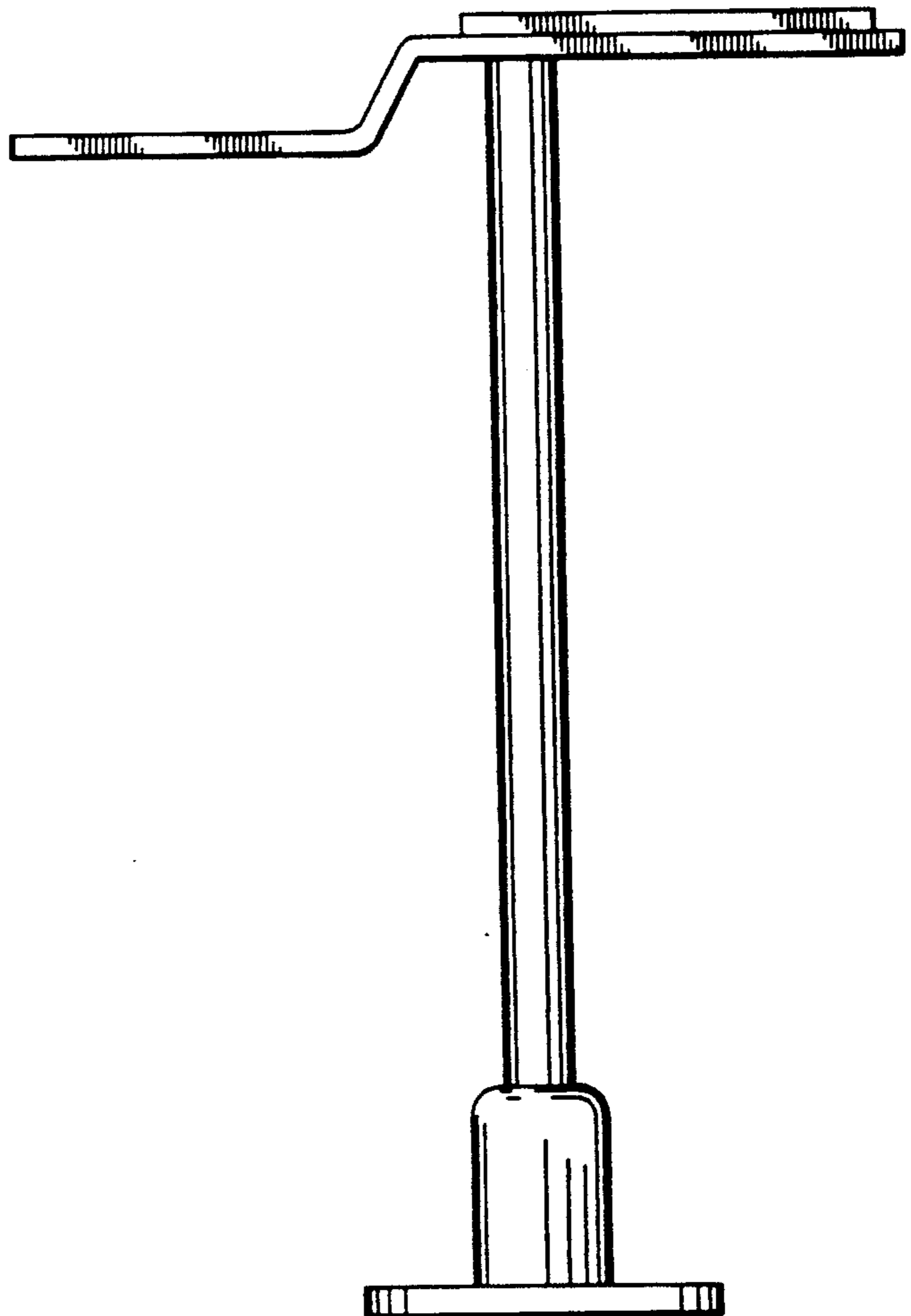


FIG. 5

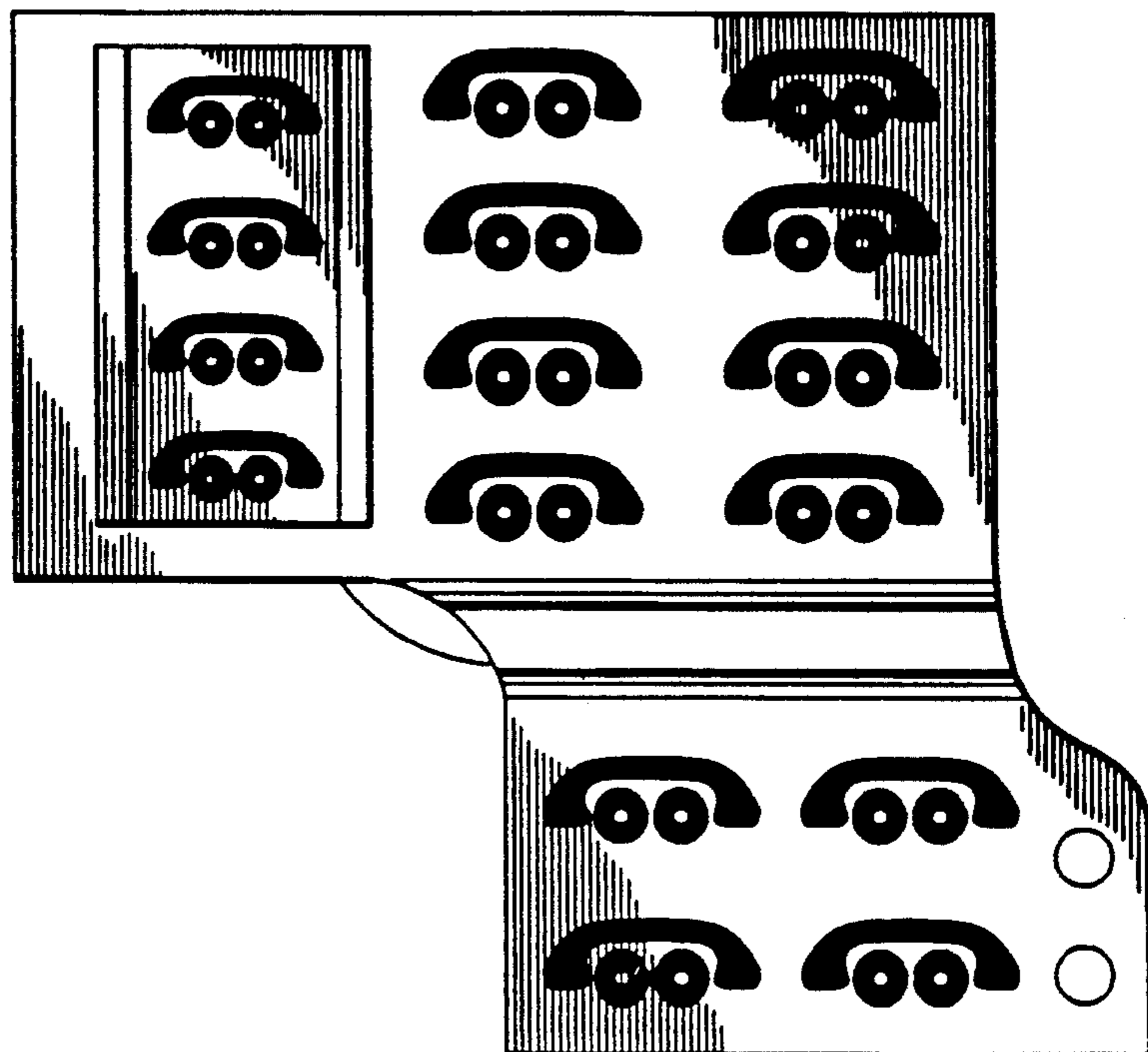


FIG. 6

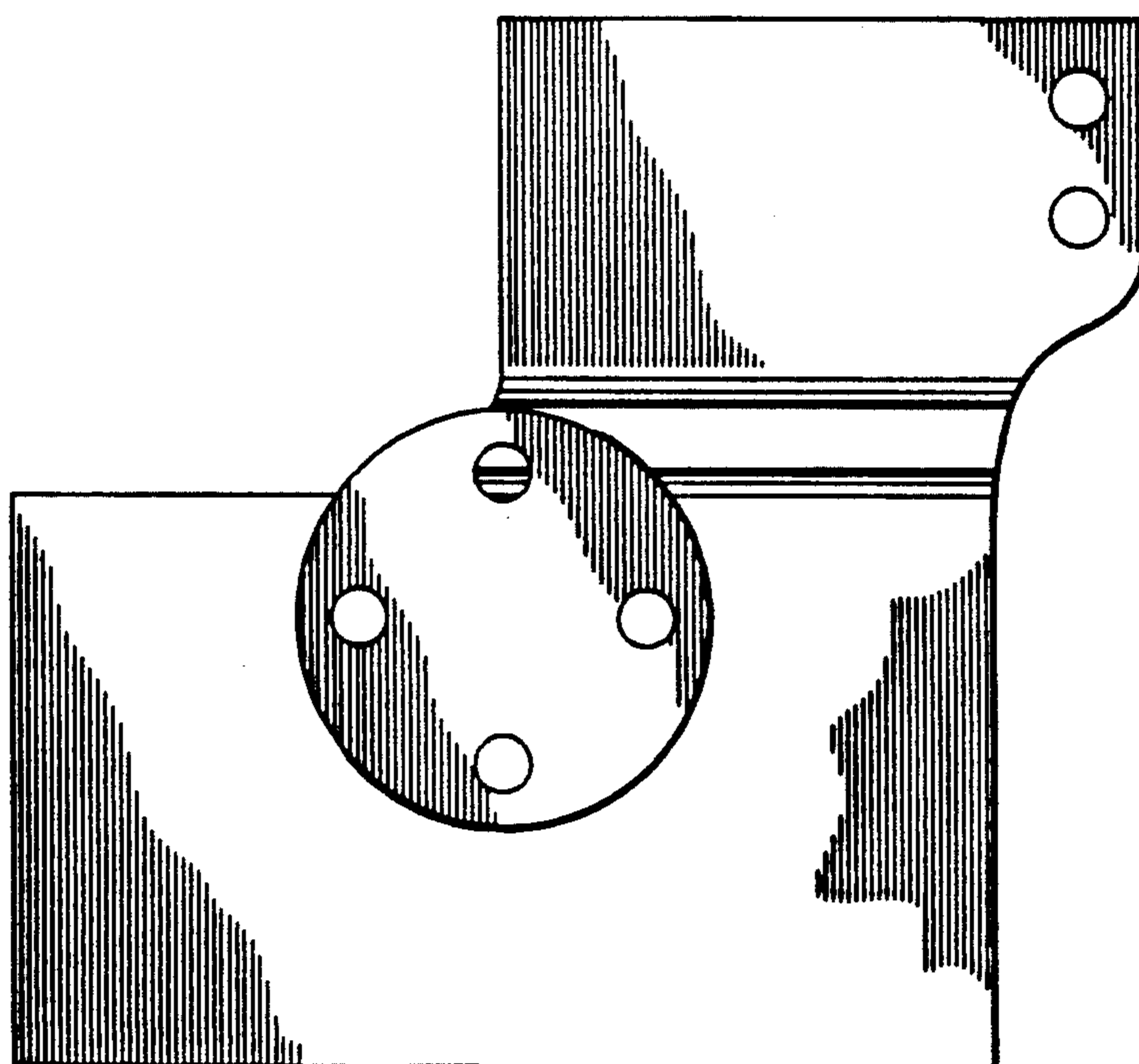


FIG. 7

