



US00D340718S

United States Patent [19]

[11] Patent Number: **Des. 340,718**

Leger et al.

[45] Date of Patent: **** Oct. 26, 1993**

[54] SPEAKER FRAME ASSEMBLY

[75] Inventors: **Richey D. Leger, Orlando; Jeffery J. Buchanan; Bill R. Unsel, both of Lexington, all of Ky.**

[73] Assignee: **Square D Company, Palatine, Ill.**

[**] Term: **14 Years**

[21] Appl. No.: **812,374**

[22] Filed: **Dec. 20, 1991**

[52] U.S. Cl. **D14/224; D8/350**

[58] Field of Search **D8/349, 350, 354; D14/204, 209, 210, 214, 215, 224; 181/148, 150, 171, 198, 199; 381/188**

[56] References Cited

U.S. PATENT DOCUMENTS

D. 256,015	7/1980	Doherty	D14/224
D. 256,915	9/1980	Needleman	D8/350
D. 276,154	10/1984	Werback	D14/224
D. 303,566	9/1989	Kohler, Jr. et al.	D8/350
4,439,643	3/1984	Schweizer	381/188
4,493,387	1/1985	Del Rosario	181/141
4,550,796	11/1985	Tomita	181/141
4,815,558	3/1989	Krainhöfer	381/86
4,993,510	2/1991	Kato et al.	381/86

OTHER PUBLICATIONS

Stereo Review Jan. 1990 p. 89 Sonance in-wall speaker frame, bottom.

Primary Examiner—Bernard Ansher

Assistant Examiner—Sandra Morris

Attorney, Agent, or Firm—Larry I. Golden; Kareem M. Irfan

[57] CLAIM

The ornamental design for a speaker frame assembly, as shown and described.

DESCRIPTION

FIG. 1 is a perspective view of one embodiment of a speaker frame assembly design of the present invention showing the front side of the frame, the front side being

provided with an opening to accommodate a speaker having a corresponding configuration;

FIG. 2 is a left end elevational view of the embodiment shown in FIG. 1;

FIG. 3 is a right end elevational view of the embodiment shown in FIG. 1;

FIG. 4 is a back side elevational view of the embodiment shown in FIG. 1;

FIG. 5 is a top plan view of the embodiment shown in FIG. 1;

FIG. 6 is a bottom plan view of the embodiment shown in FIG. 1;

FIG. 7 is a perspective view of another embodiment of a speaker frame assembly design of the present invention showing the front side of the frame, the front side being provided with an opening to accommodate a speaker having a corresponding configuration;

FIG. 8 is a left end elevational view of the embodiment shown in FIG. 7;

FIG. 9 is a right end elevational view of the embodiment shown in FIG. 7;

FIG. 10 is a back side elevational view of the embodiment shown in FIG. 7;

FIG. 11 is a top plan view of the embodiment shown in FIG. 7;

FIG. 12 is a bottom plan view of the embodiment shown in FIG. 7;

FIG. 13 is a perspective view of still another embodiment of a speaker frame assembly design of the present invention showing the front side of the frame, the front side being provided with an opening to accommodate a speaker having a corresponding configuration;

FIG. 14 is a front side elevational view of the embodiment shown in FIG. 13;

FIG. 15 is a back side elevational view of the embodiment shown in FIG. 13;

FIG. 16 is a left end elevational view of the embodiment shown in FIG. 13 (the respective top plan view thereof being identical to one another in appearance); and,

FIG. 17 is a right end elevational view of the embodiment shown in FIG. 13 (the respective bottom plan view thereof being identical to the right end elevational view in appearance).

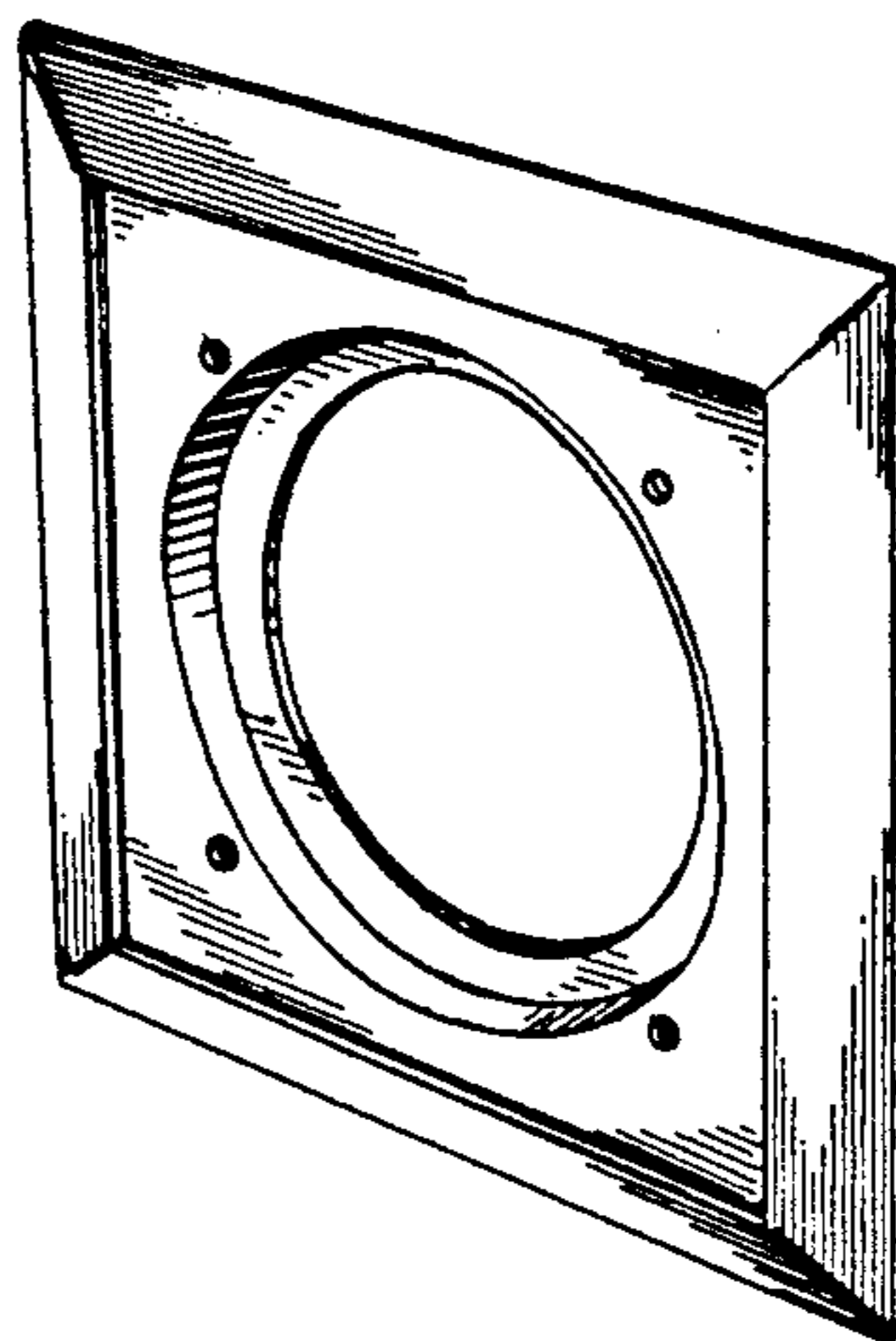
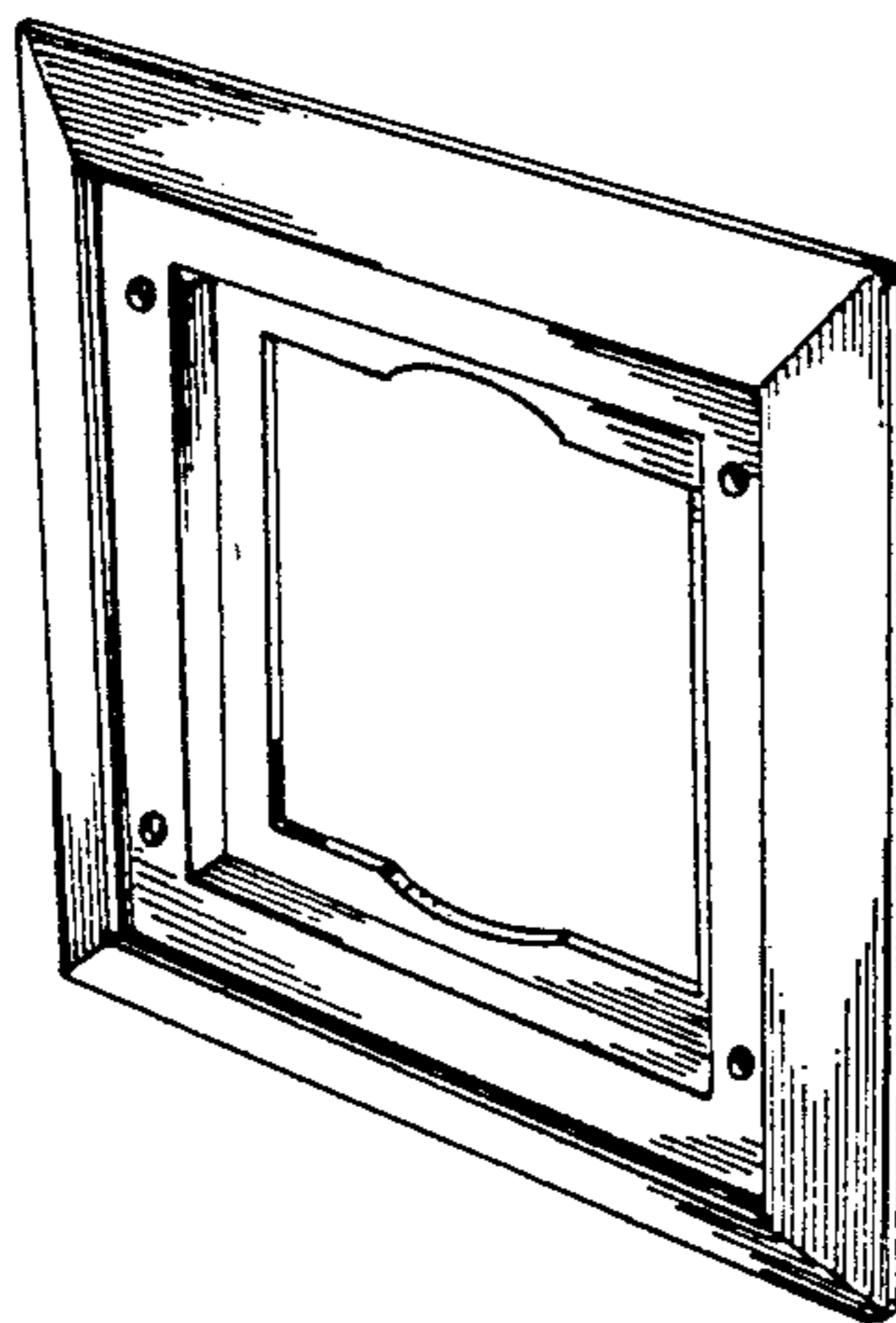


FIG. 1

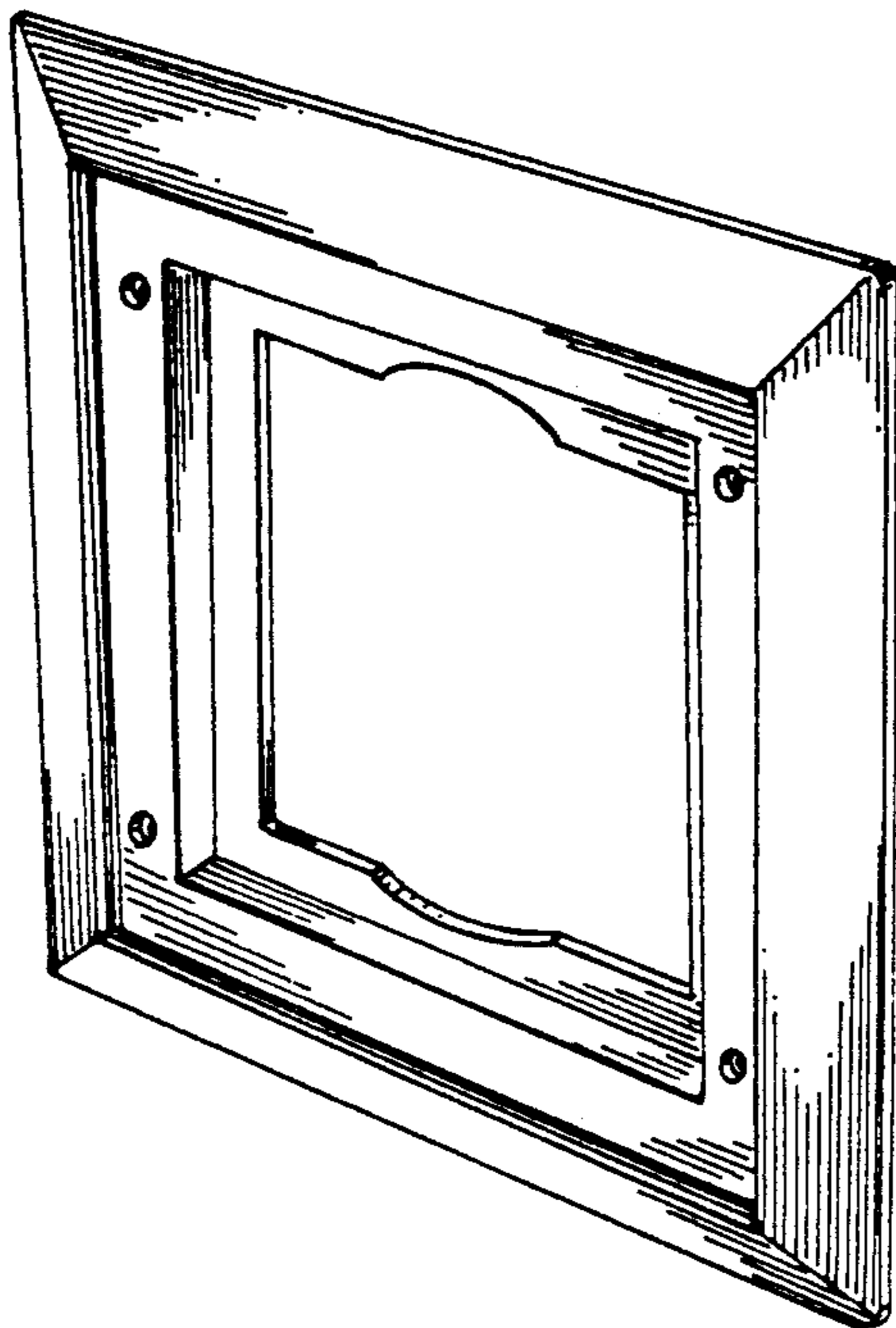


FIG. 2



FIG. 3

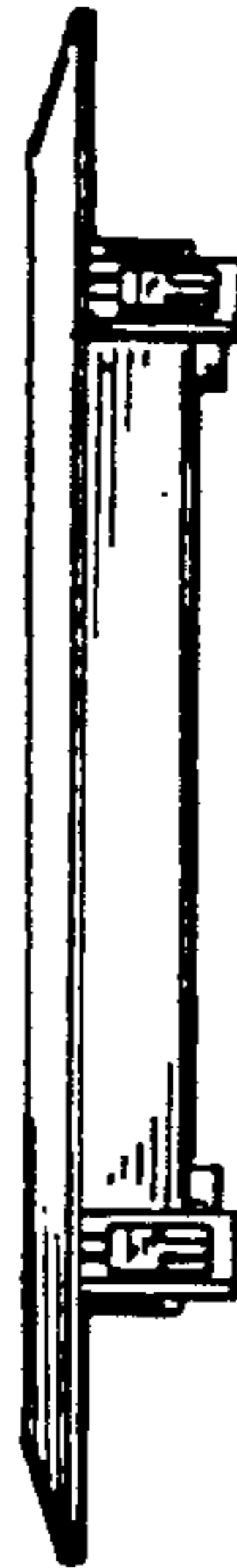


FIG. 4

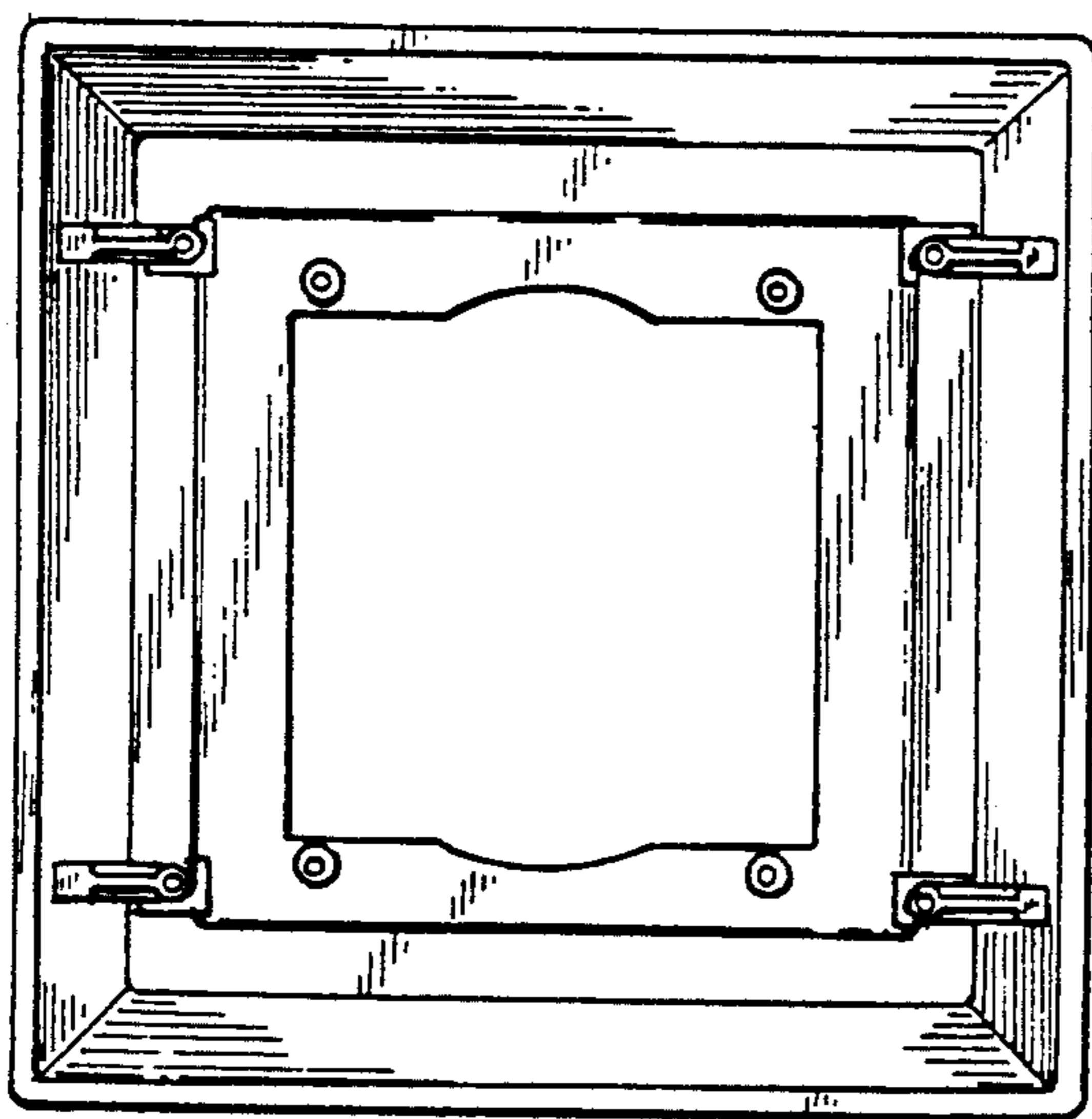


FIG. 5

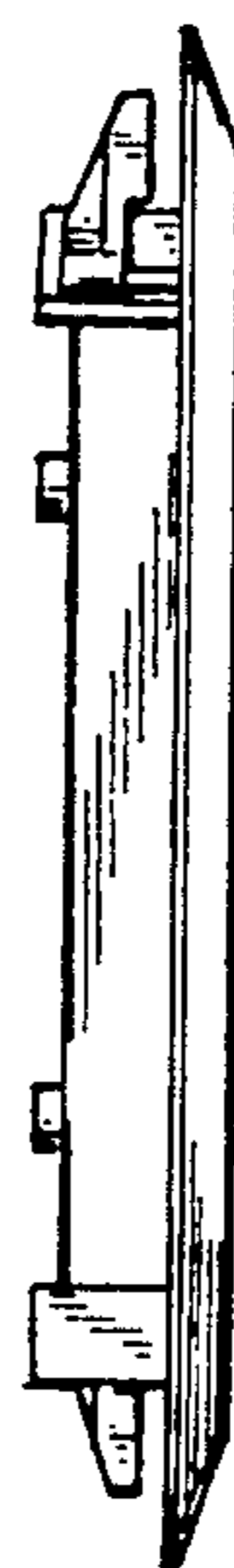


FIG. 6



FIG. 7

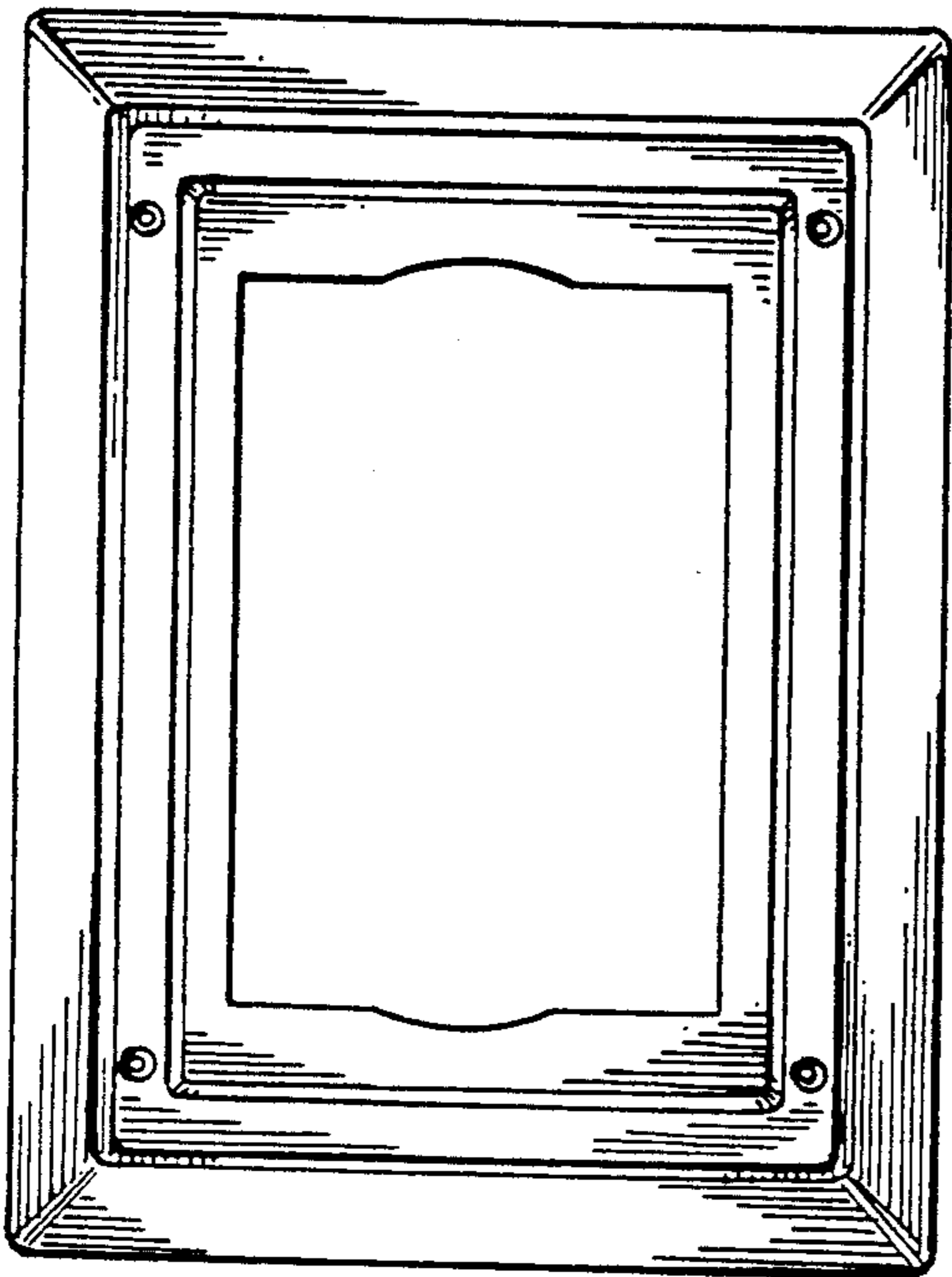


FIG. 8

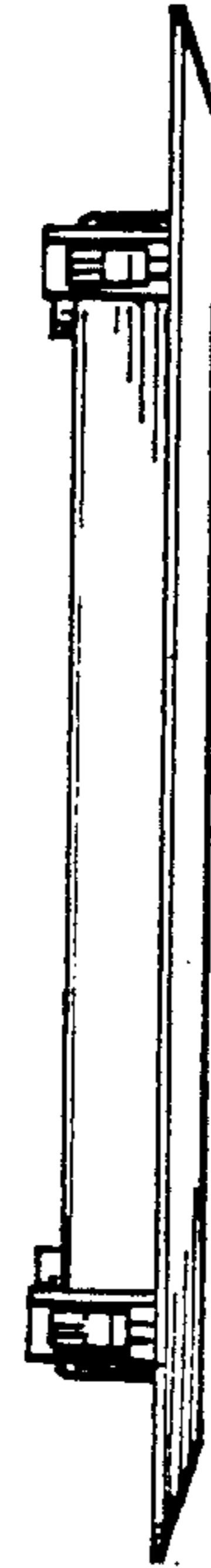


FIG. 9



FIG. 10

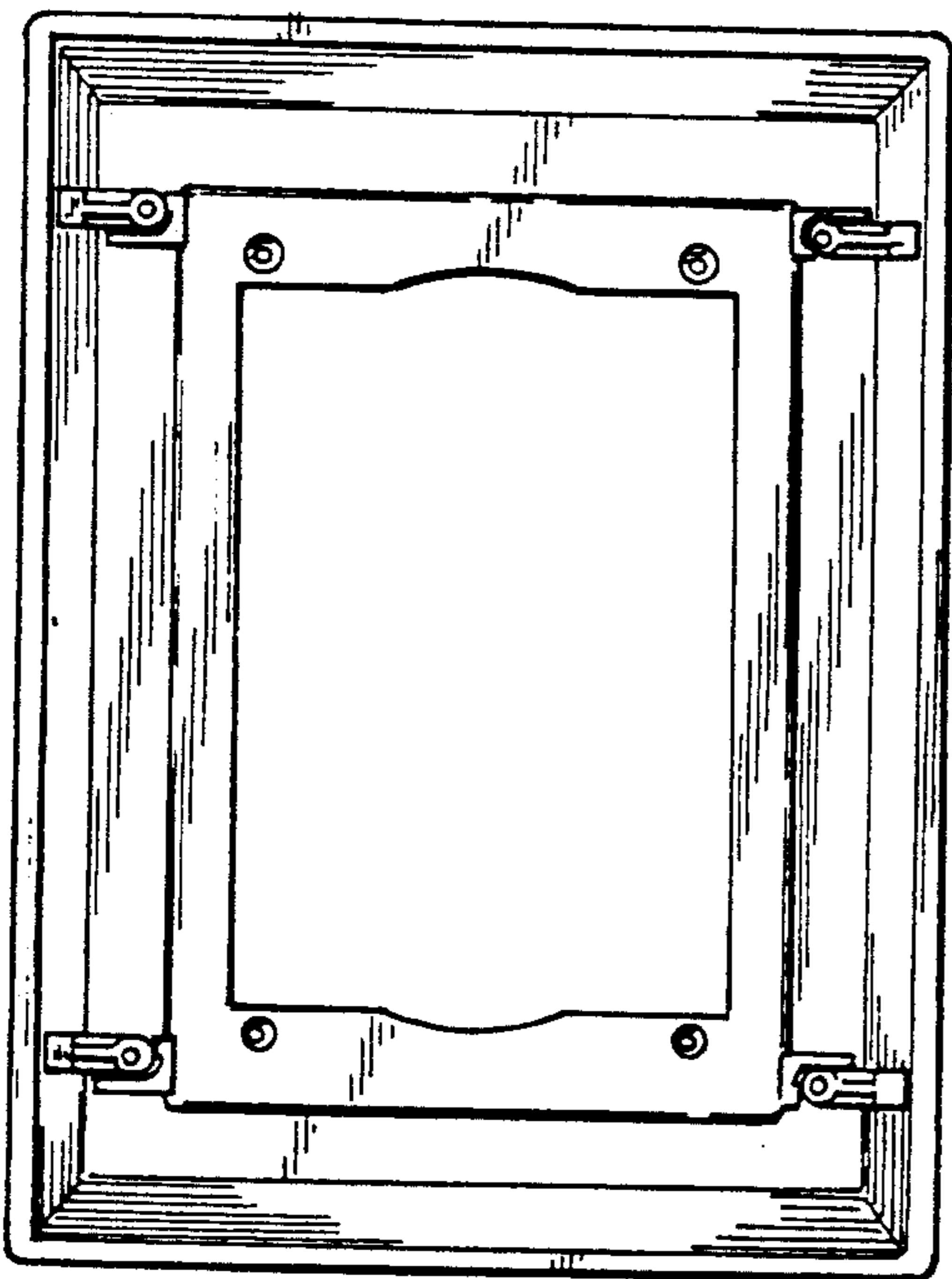


FIG. 11



FIG. 12



FIG. 13

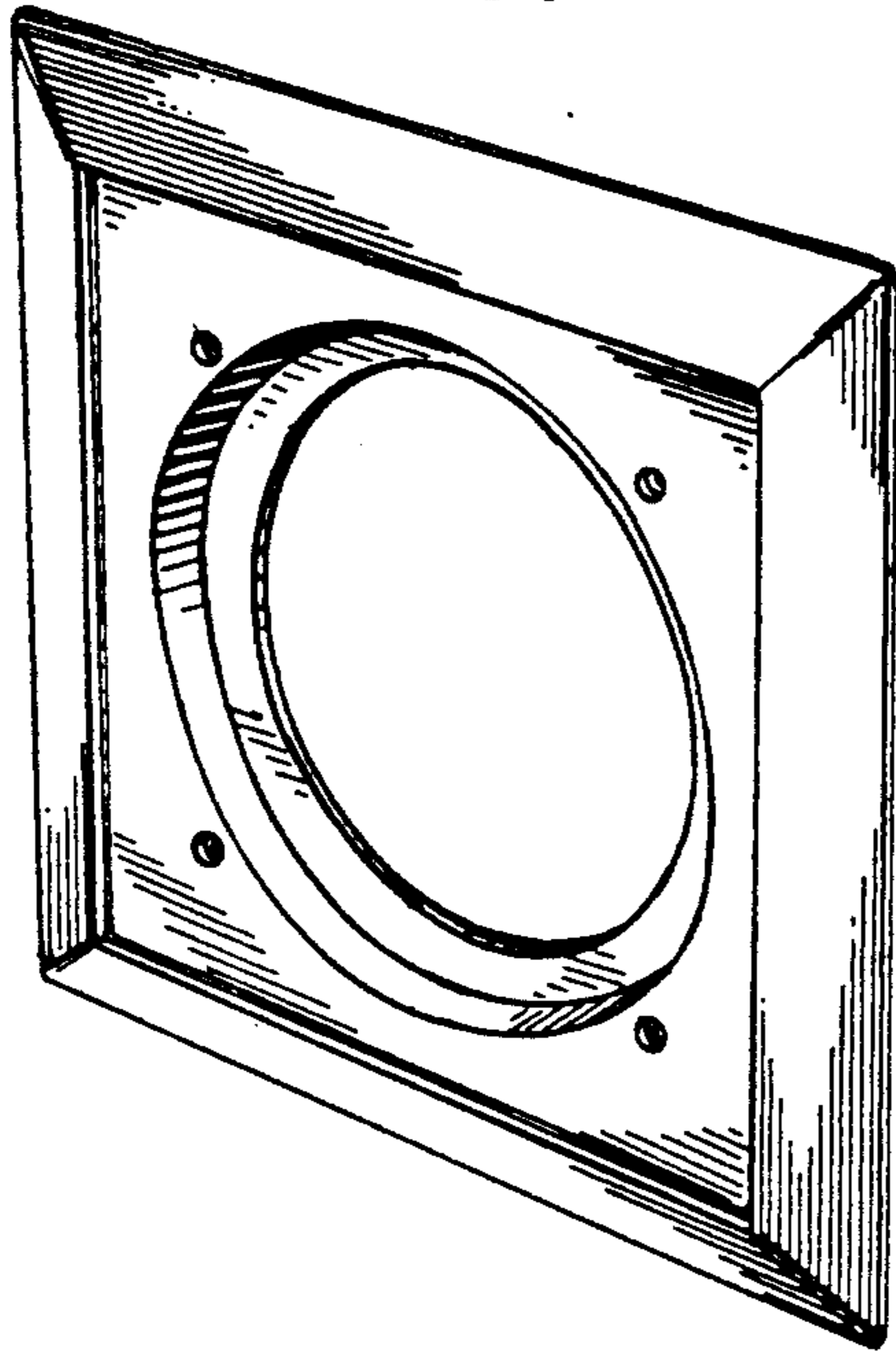


FIG. 14

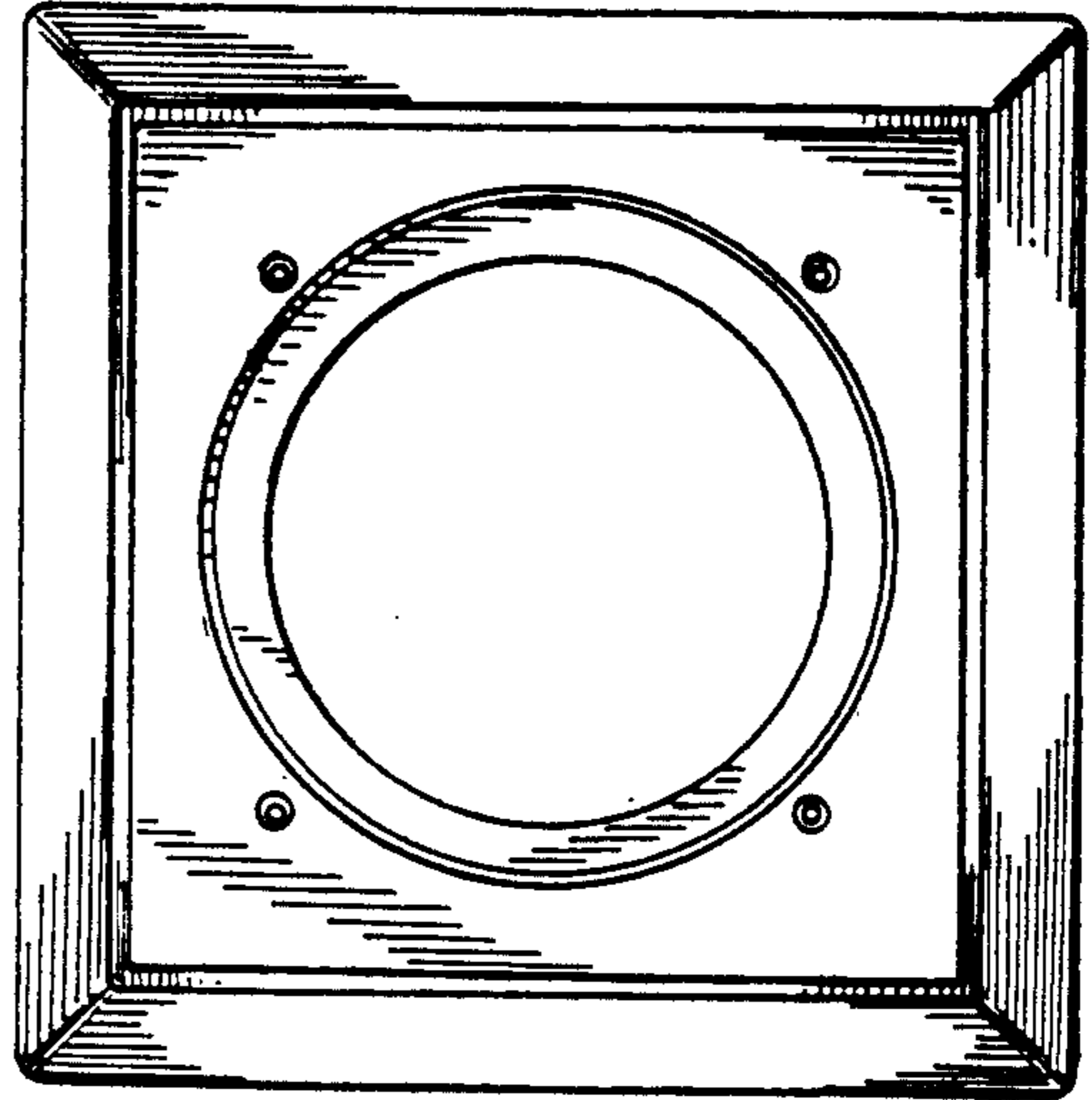


FIG. 15

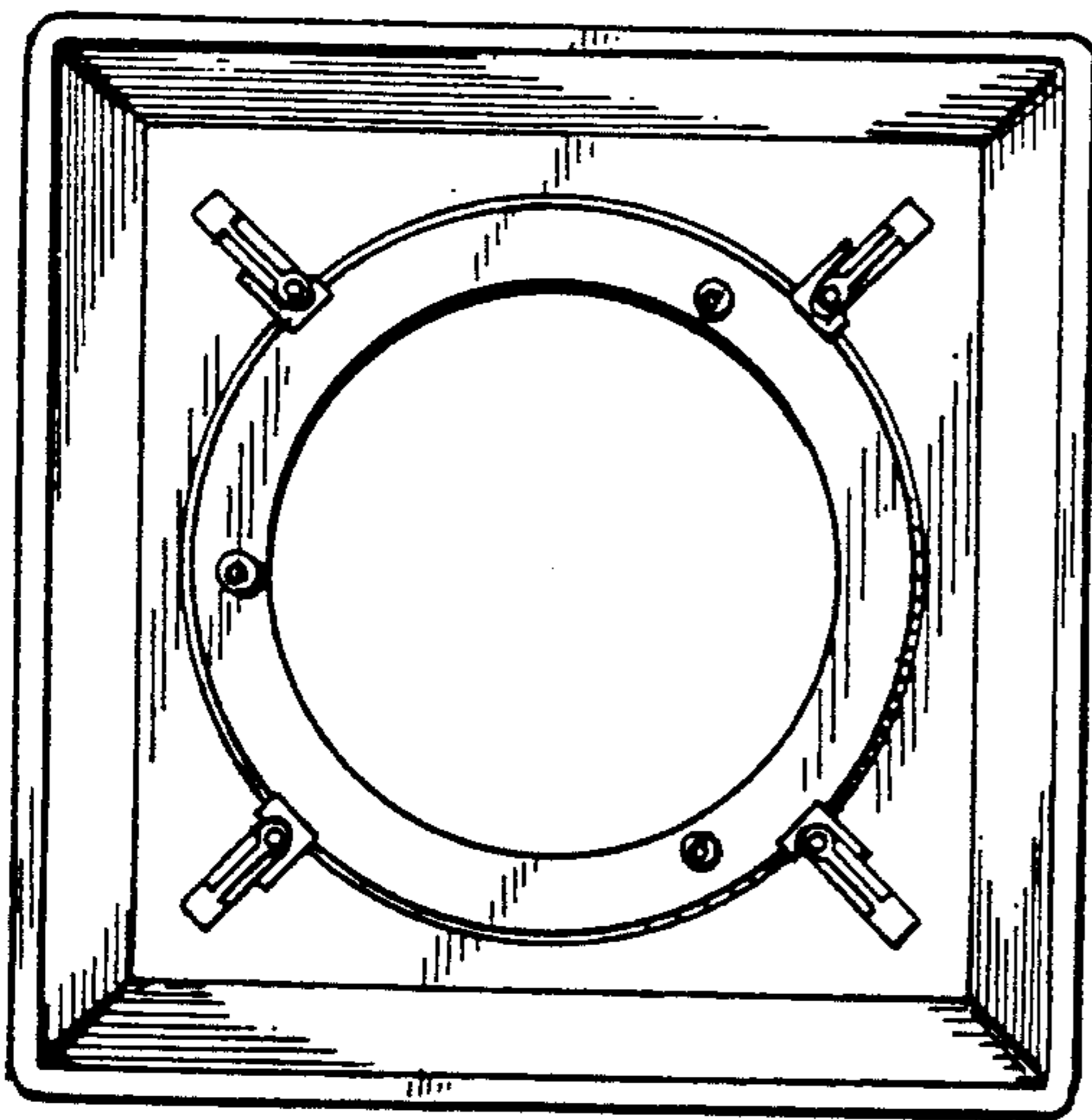


FIG. 16

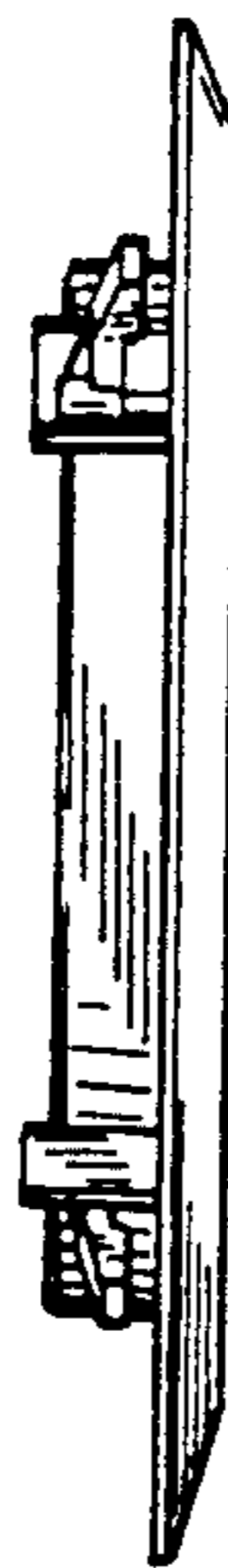


FIG. 17

