



US00D340716S

United States Patent [19]

Ito et al.

[11] Patent Number: **Des. 340,716**

[45] Date of Patent: **** Oct. 26, 1993**

[54] **DIGITAL AUDIO DISC PLAYER**

[75] Inventors: **Masafumi Ito, Tokyo; Shigeru Hasegawa, Kodaira; Keiji Tsunoda, Kokubunji, all of Japan**

[73] Assignee: **TEAC Corporation, Japan**

[**] Term: **14 Years**

[21] Appl. No.: **789,464**

[22] Filed: **Nov. 7, 1991**

[30] **Foreign Application Priority Data**

May 8, 1991 [JP]	Japan	3-13200
[52] U.S. Cl.		D14/156
[58] Field of Search		D14/135-136, D14/156, 160-162, 164-165, 168-169, 299; 369/75.1, 77.1, 77.2

[56] **References Cited**

U.S. PATENT DOCUMENTS

D. 321,189	10/1991	Ito et al.	D14/156
D. 321,190	10/1991	Ito et al.	D14/156

Primary Examiner—Terry A. Pfeffer Wallace
Attorney, Agent, or Firm—Andrus, Scales, Starke & Sawall

[57] **CLAIM**

The ornamental design for a digital audio disc player, as shown and described.

DESCRIPTION

FIG. 1 is a top plan view of the digital audio disc player showing our new design;
 FIG. 2 is a front elevational view thereof;
 FIG. 3 is a right side elevational view thereof;
 FIG. 4 is a left side elevational view thereof;
 FIG. 5 is a bottom plan view thereof;
 FIG. 6 is a rear elevational view thereof;
 FIG. 7 is a perspective view thereof with the disc tray in an open position; and,
 FIG. 8 is a sectional view taken along line 8—8 in FIG. 2.

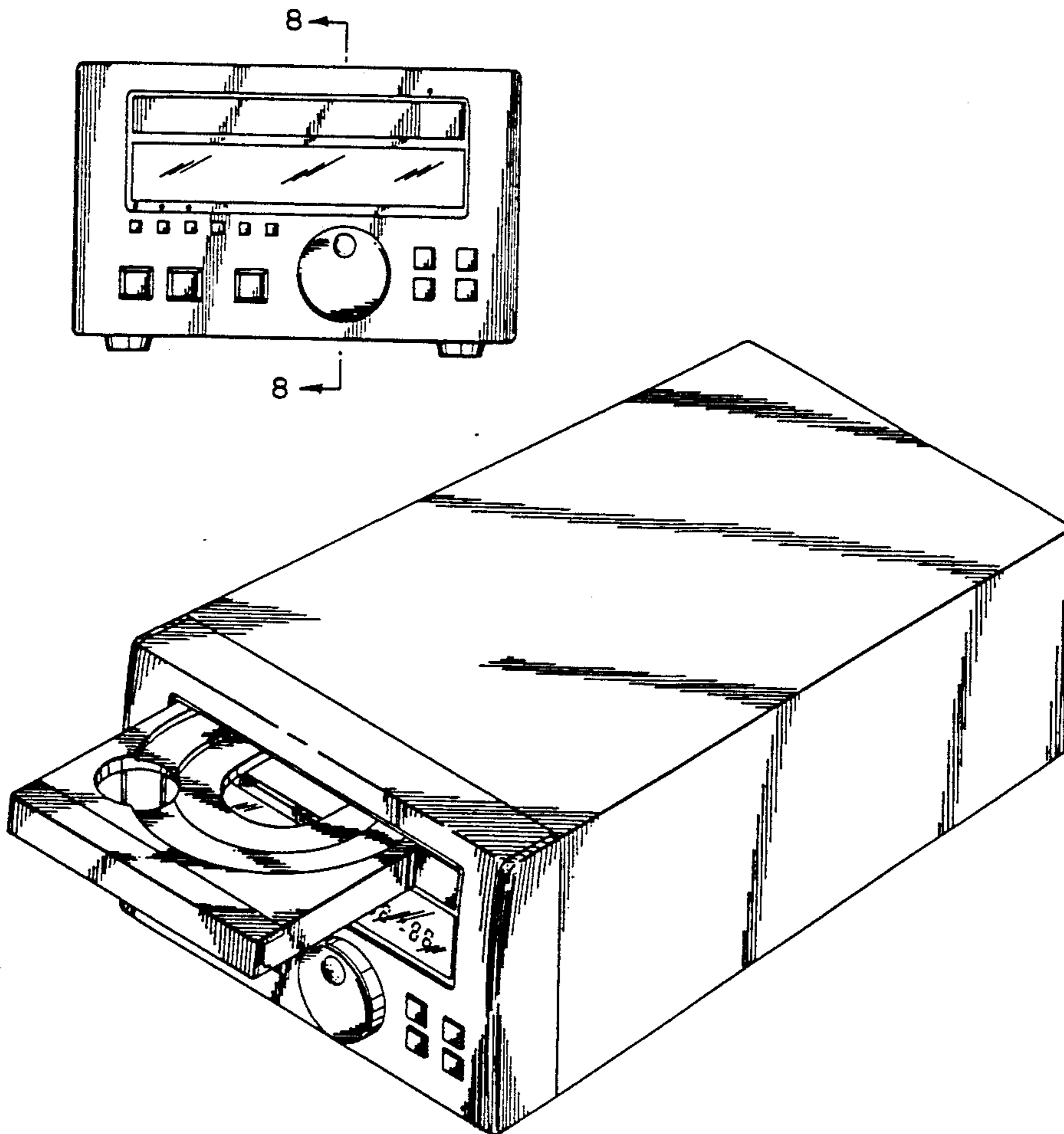


FIG. 1

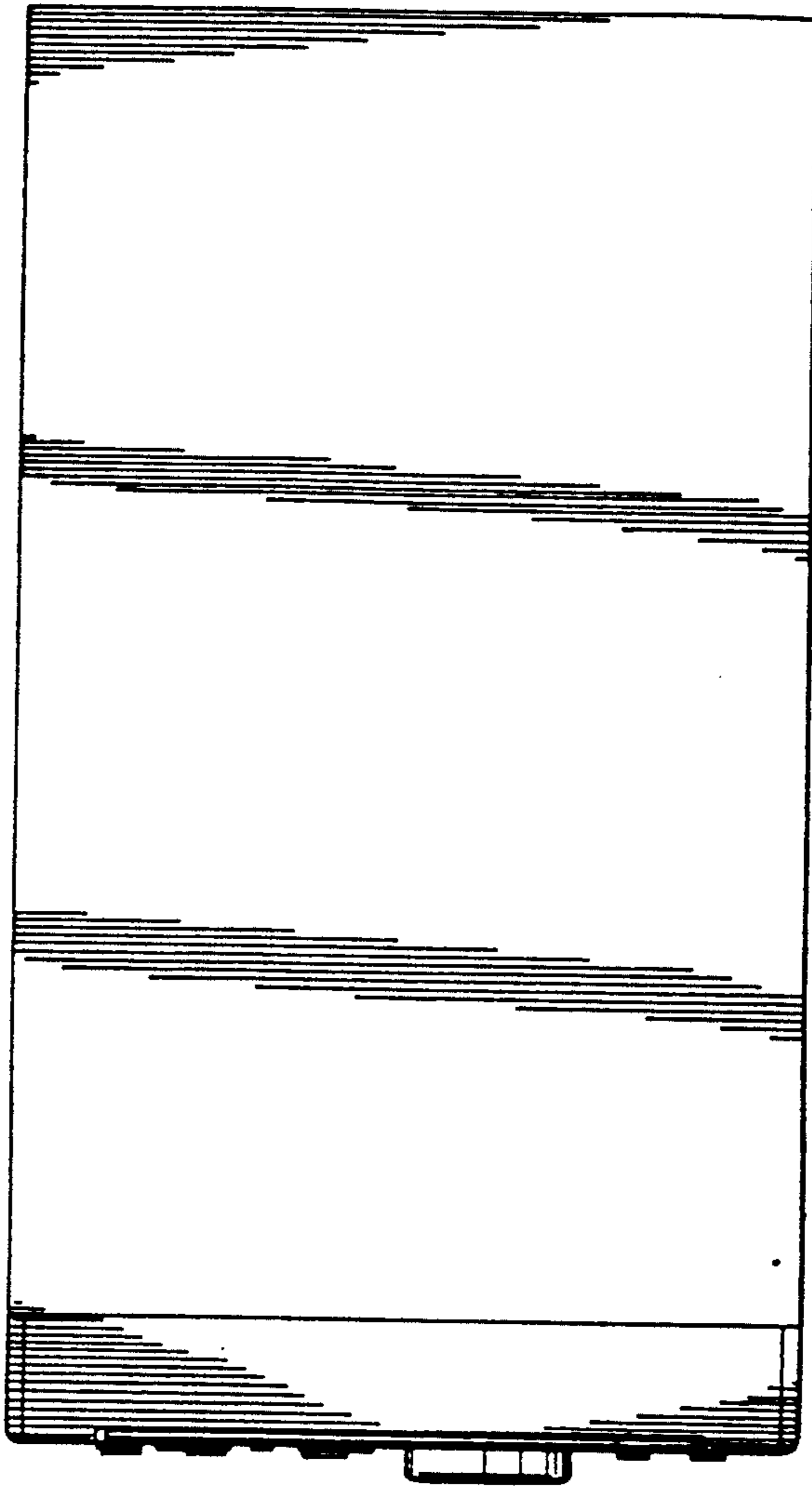


FIG. 2

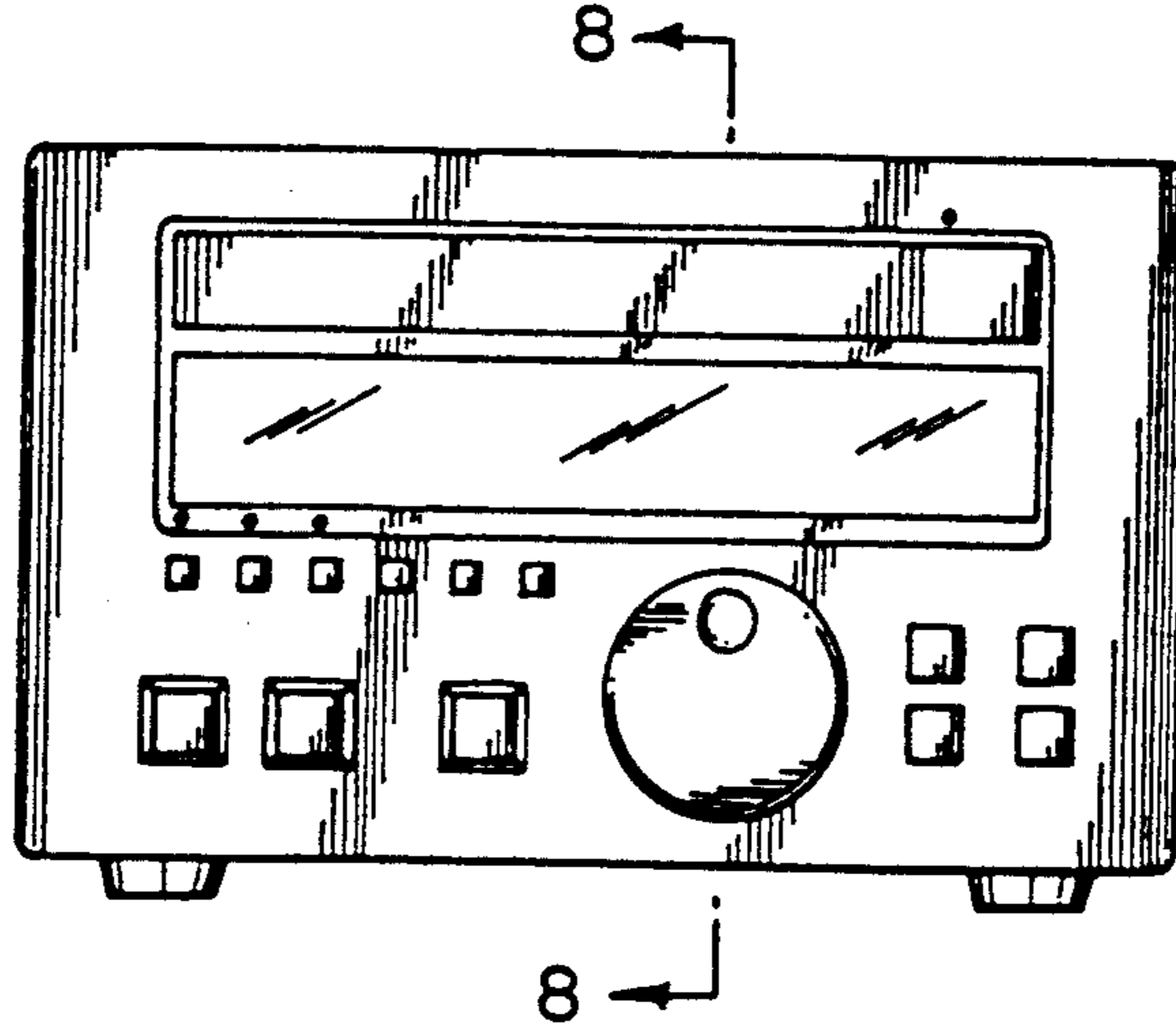


FIG. 3

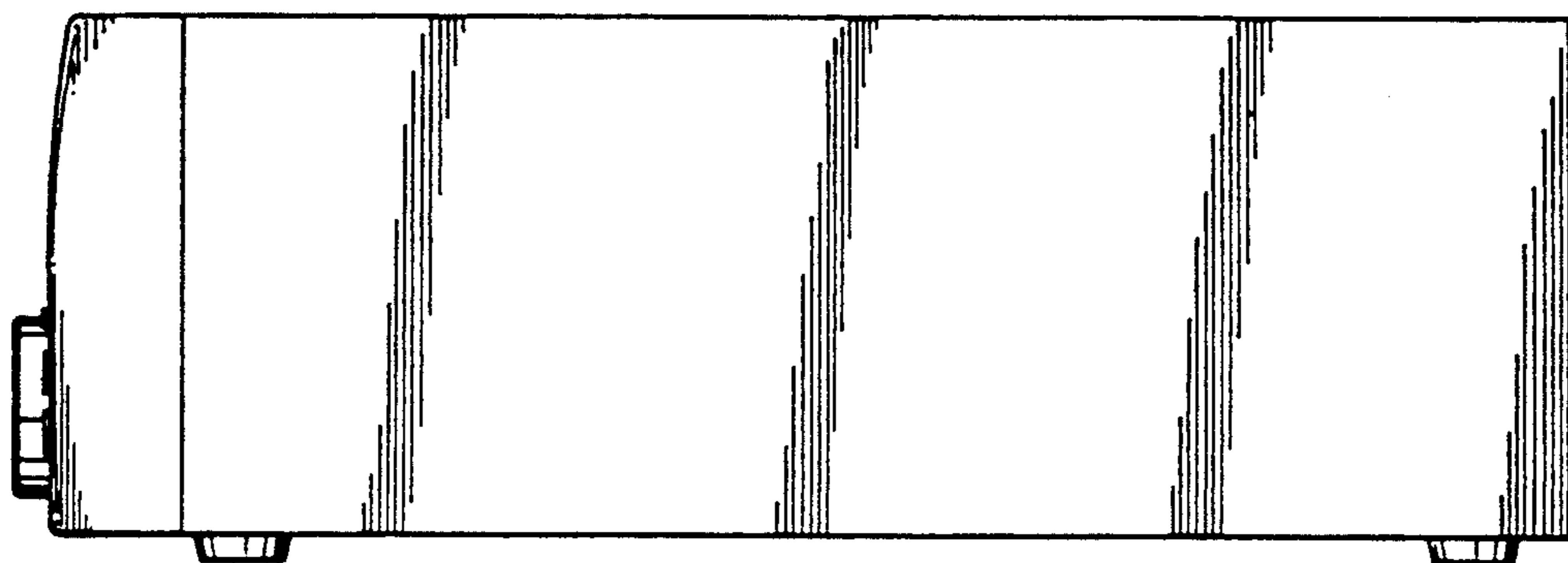


FIG. 4

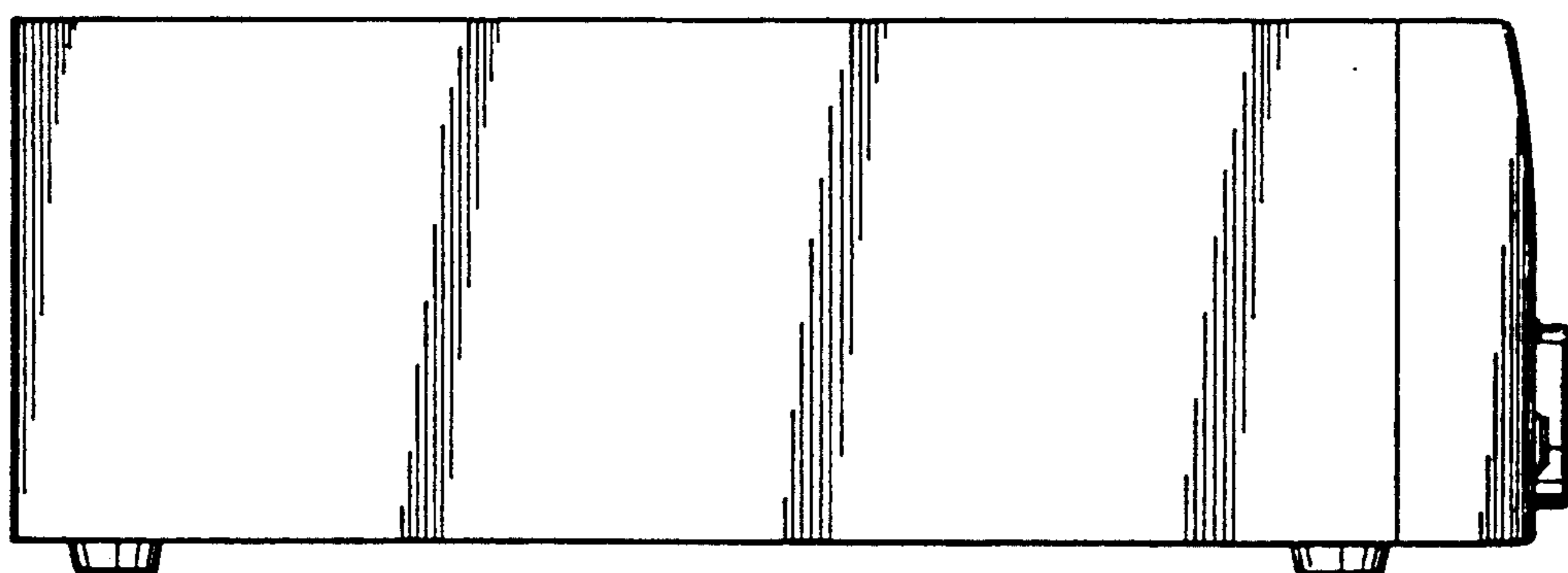


FIG. 5

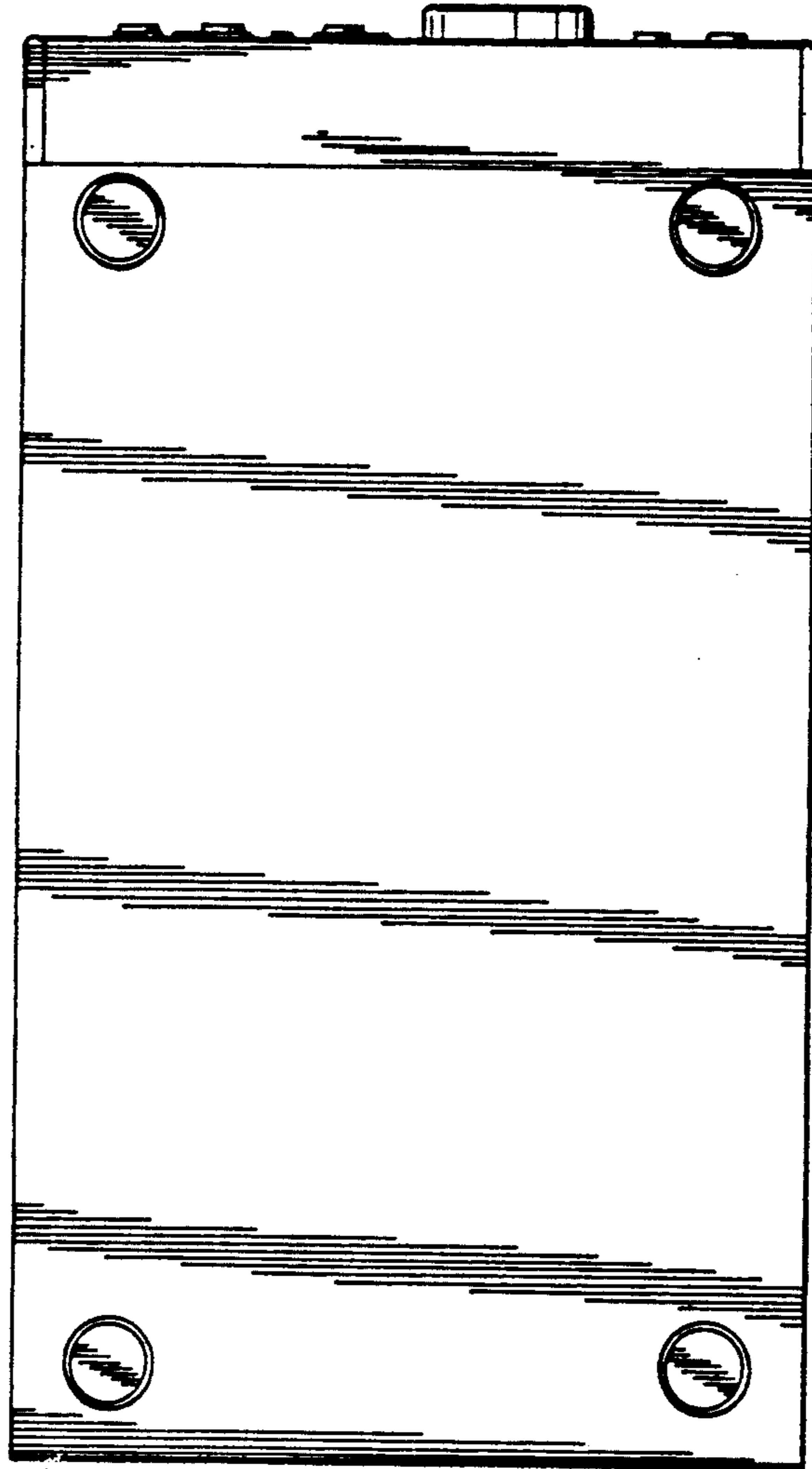


FIG. 6

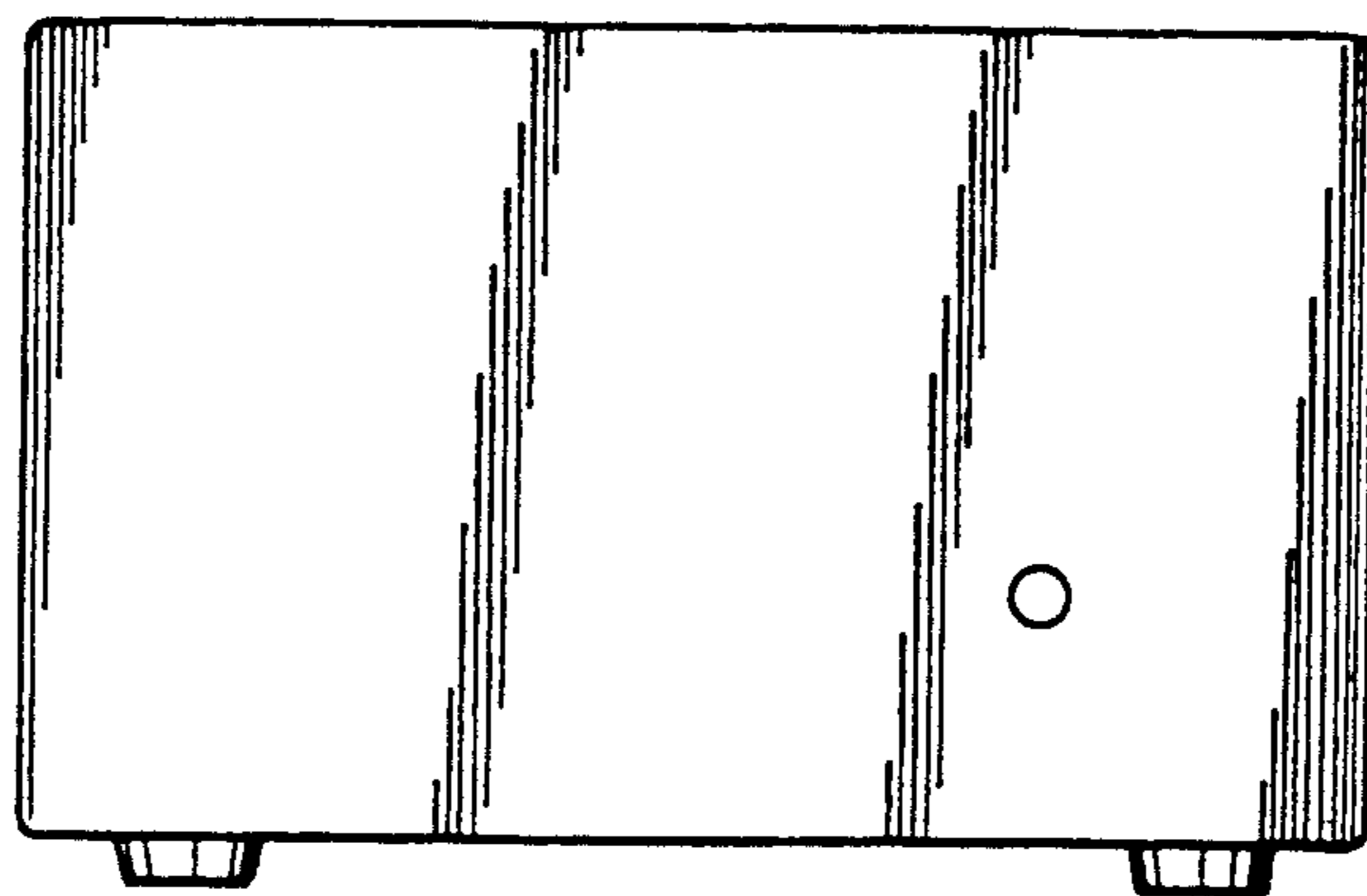


FIG. 7

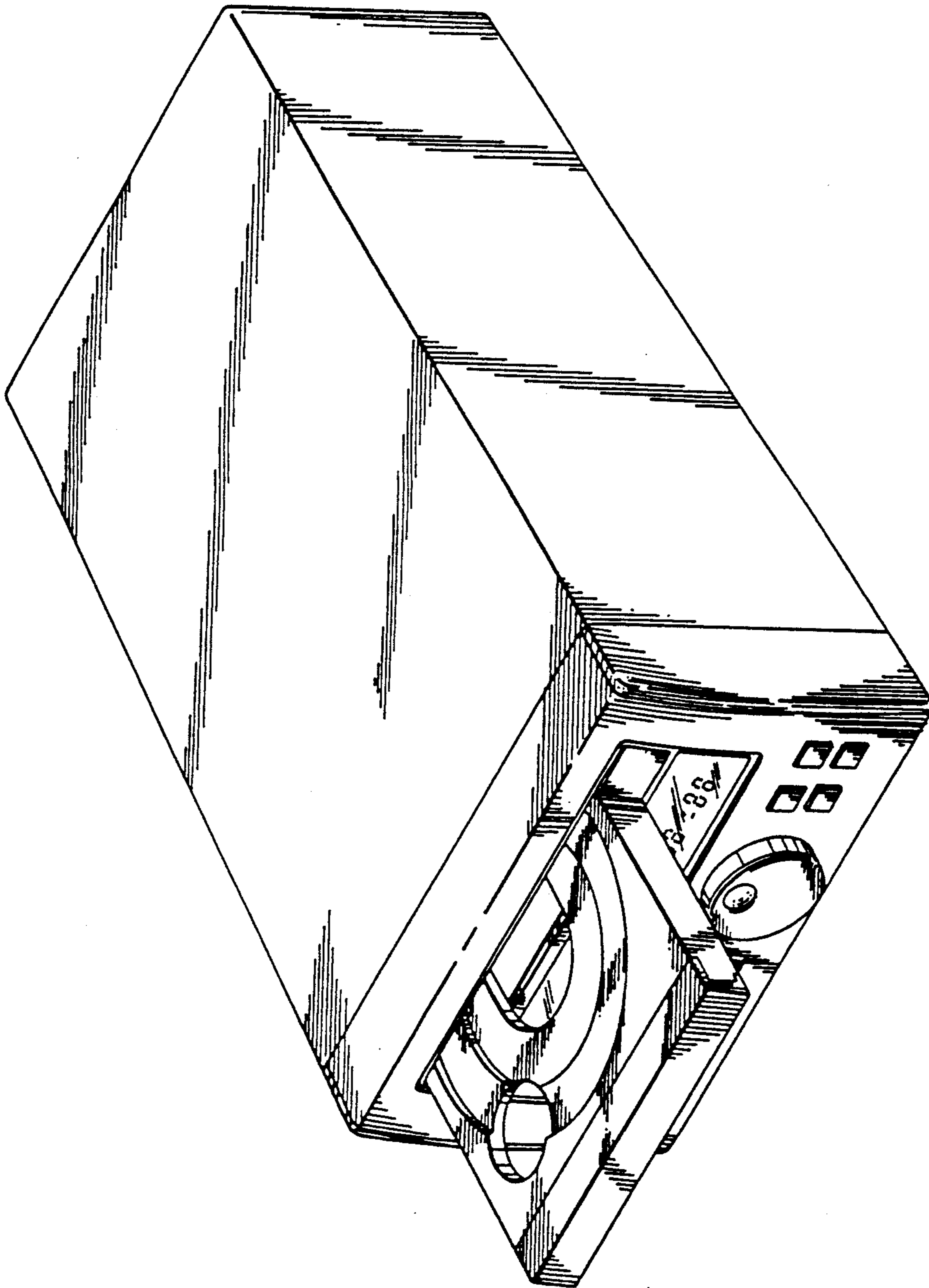


FIG. 8

