



US00D340713S

United States Patent [19] Hwang

[11] Patent Number: **Des. 340,713**

[45] Date of Patent: **** Oct. 26, 1993**

[54] TELEPHONE SET

[76] Inventor: **Ching-Feng Hwang**, No. 184,
Tung-An Rd., Tainan City, Taiwan

[**] Term: **14 Years**

[21] Appl. No.: **896,344**

[22] Filed: **Jun. 11, 1992**

[52] U.S. Cl. **D14/142**

[58] Field of Search **D14/140, 142, 143-146,
D14/151-153, 240; 379/419, 420, 428, 435, 440**

[56] **References Cited**

U.S. PATENT DOCUMENTS

D. 45,322	3/1914	Barnes	D14/140 X
D. 185,729	7/1959	Alkawa	D14/146
D. 267,021	11/1982	Einhorn et al.	D14/140 X
D. 277,000	1/1985	Marzovilli	D14/152
D. 297,533	9/1988	Fitzgerald et al.	D14/142
D. 325,731	4/1992	Hwang	D14/146 X
826,938	7/1906	Howe	D14/142

OTHER PUBLICATIONS

Jul. 1989 Shopper's Advantage, p. 3, Telemania Antique Clock Phone.

1987 Evans Catalog, p. 292, y, Teleconcepts Phone Item #2.

Teleconcepts Corp. Ad, Item #549246.

Primary Examiner—Alan P. Douglas

Assistant Examiner—Jeffrey Asch

Attorney, Agent, or Firm—Christie, Parker & Hale

[57] **CLAIM**

The ornamental design for telephone set, as shown and described.

DESCRIPTION

FIG. 1 is a perspective view of telephone set showing my new design;

FIG. 2 is a front elevational view thereof;

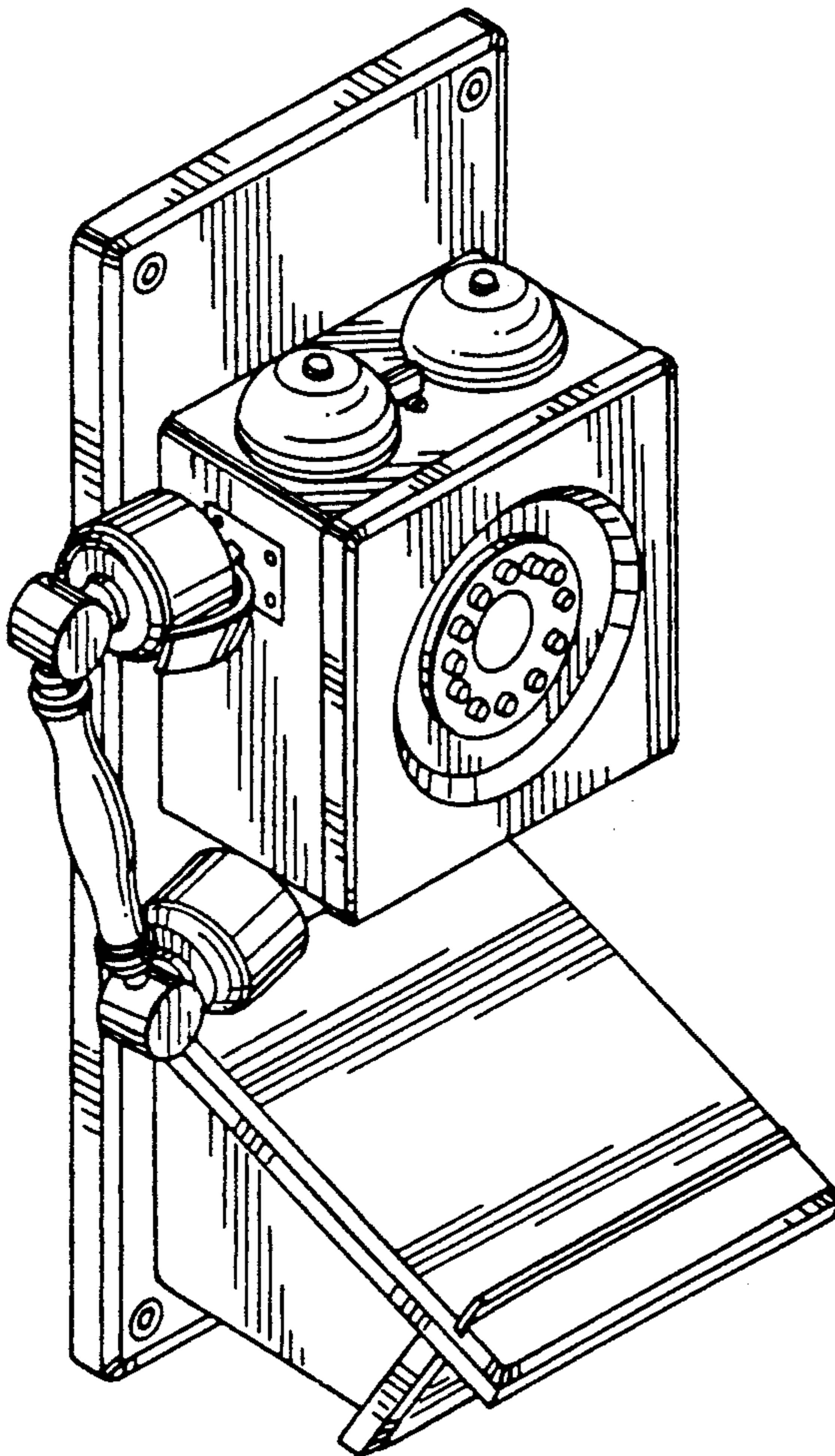
FIG. 3 is a rear elevational view thereof;

FIG. 4 is a left side elevational view thereof;

FIG. 5 is a right side elevational view thereof;

FIG. 6 is a top plan view thereof; and,

FIG. 7 is a bottom plan view thereof.



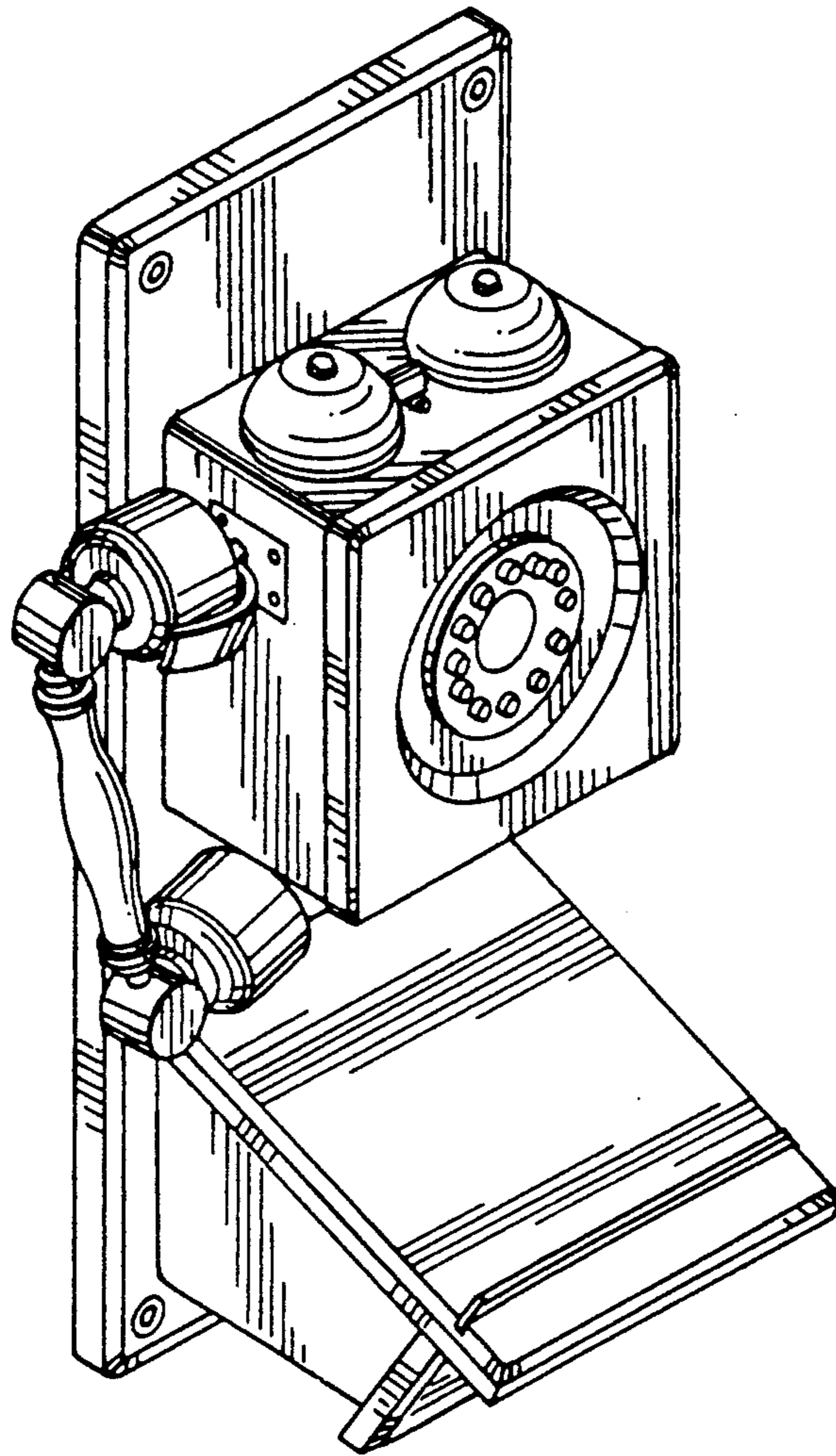


FIG. 1

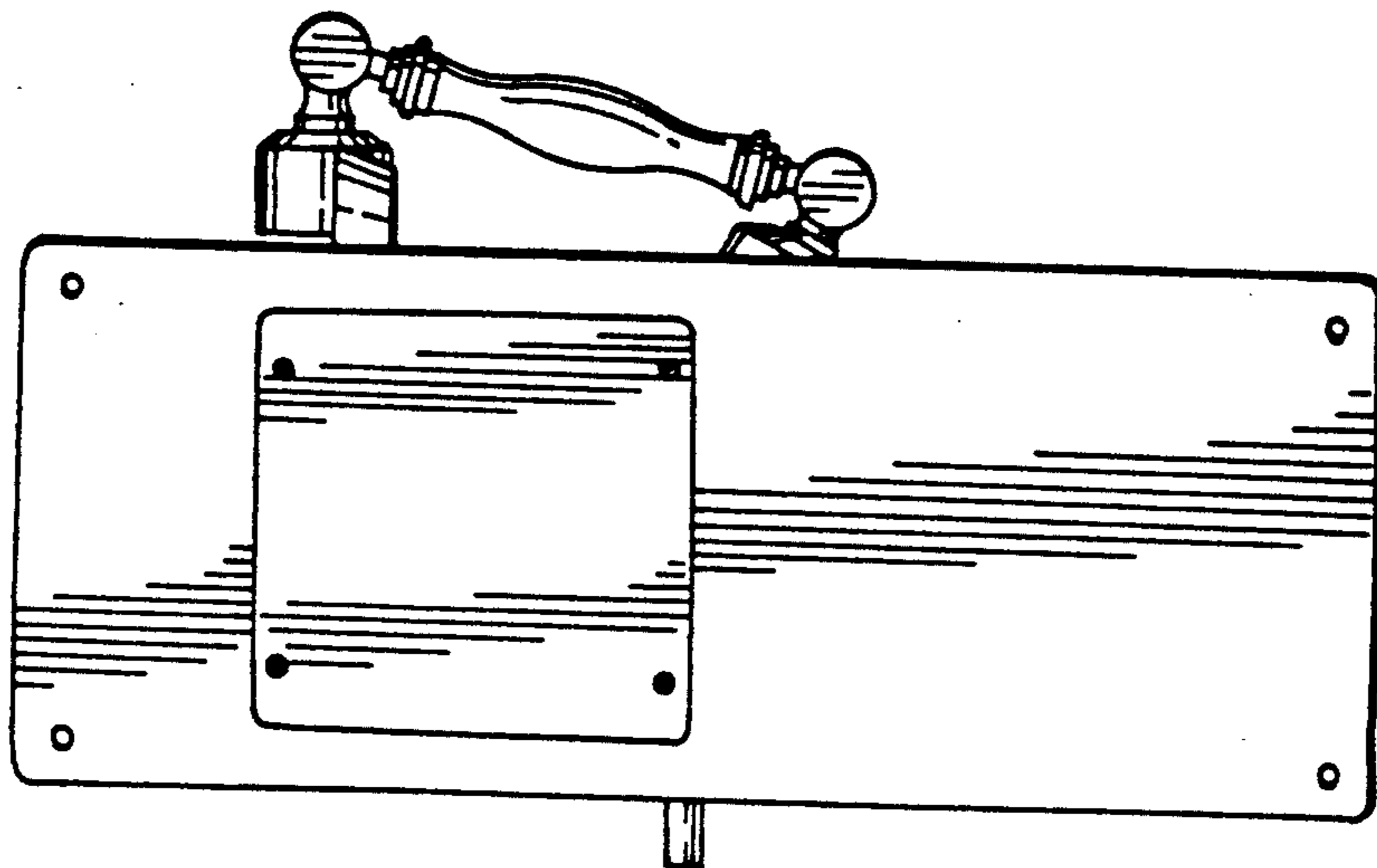


FIG. 3

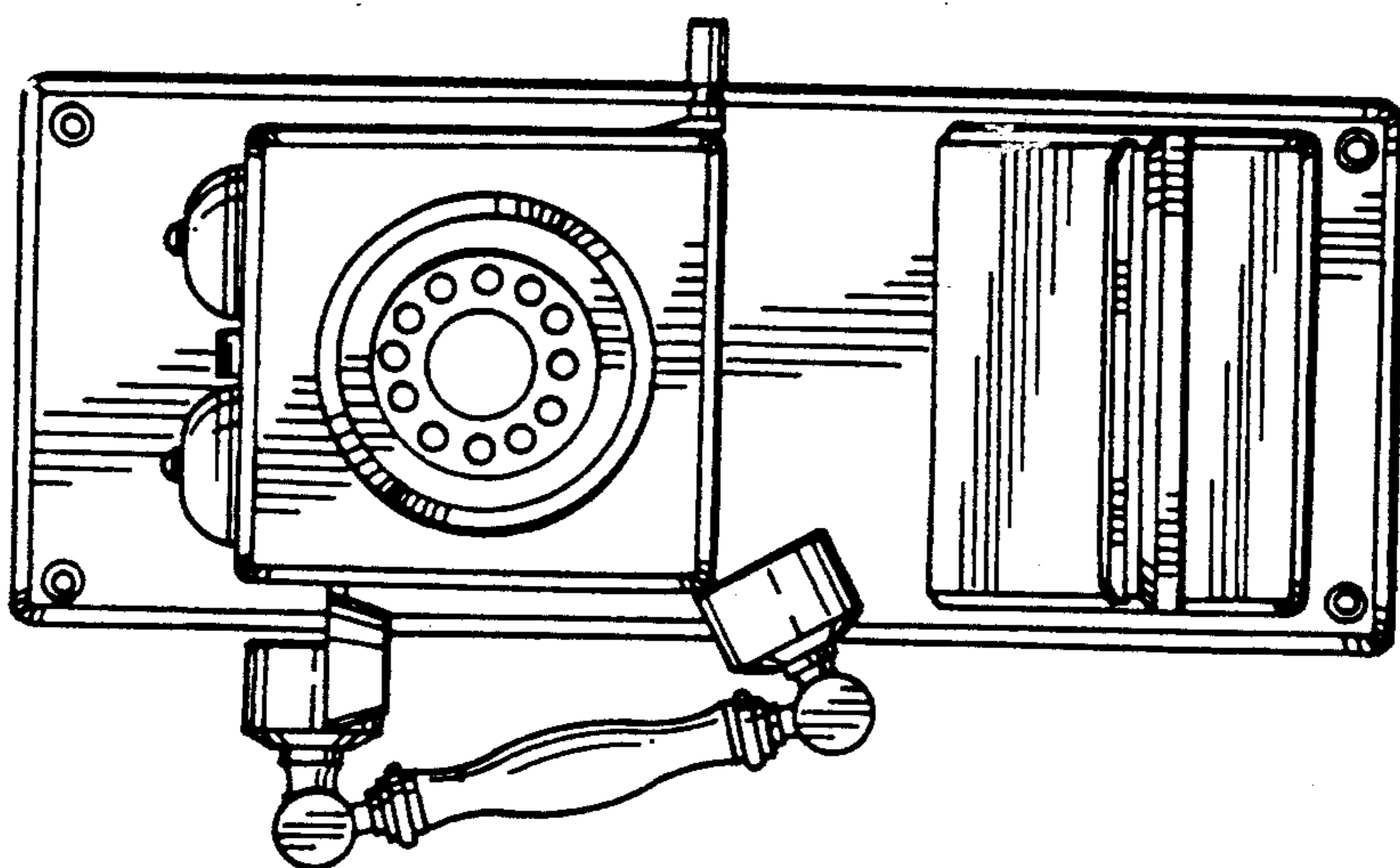


FIG. 2

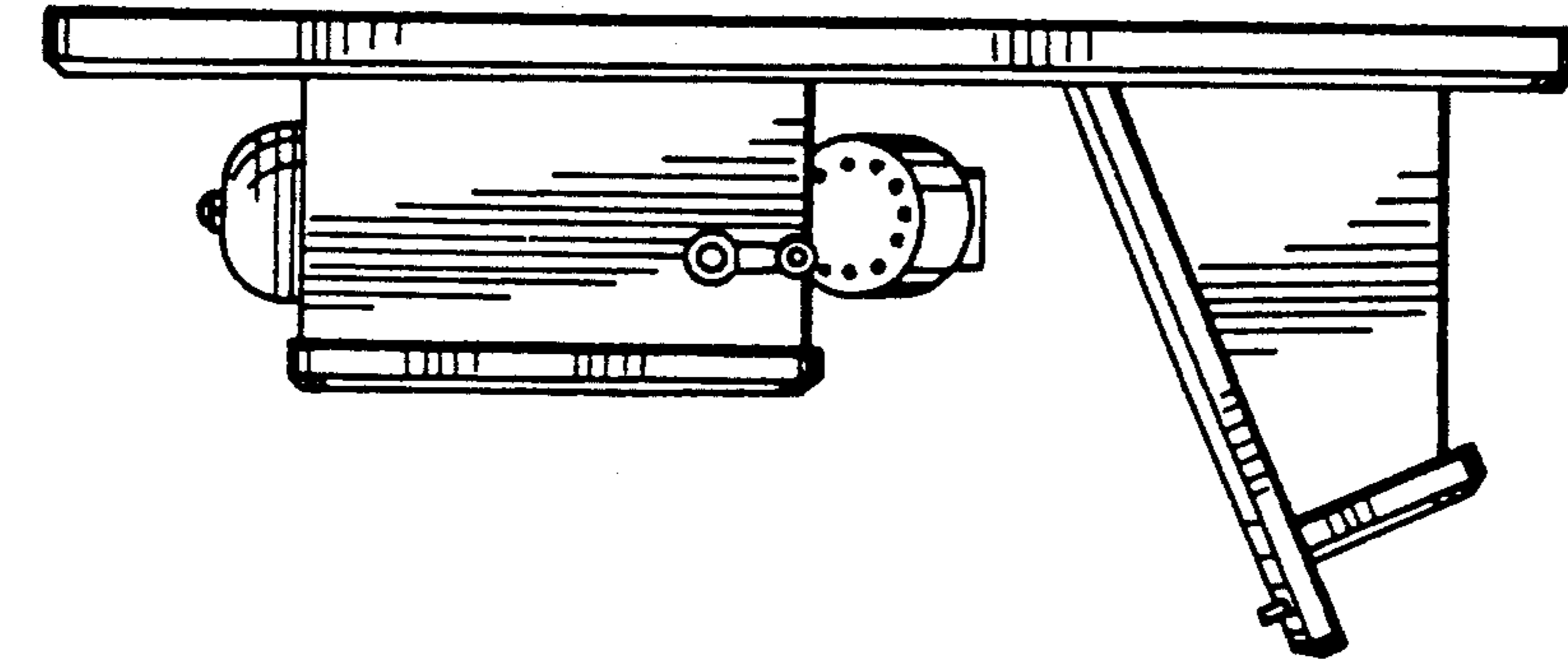


FIG. 5

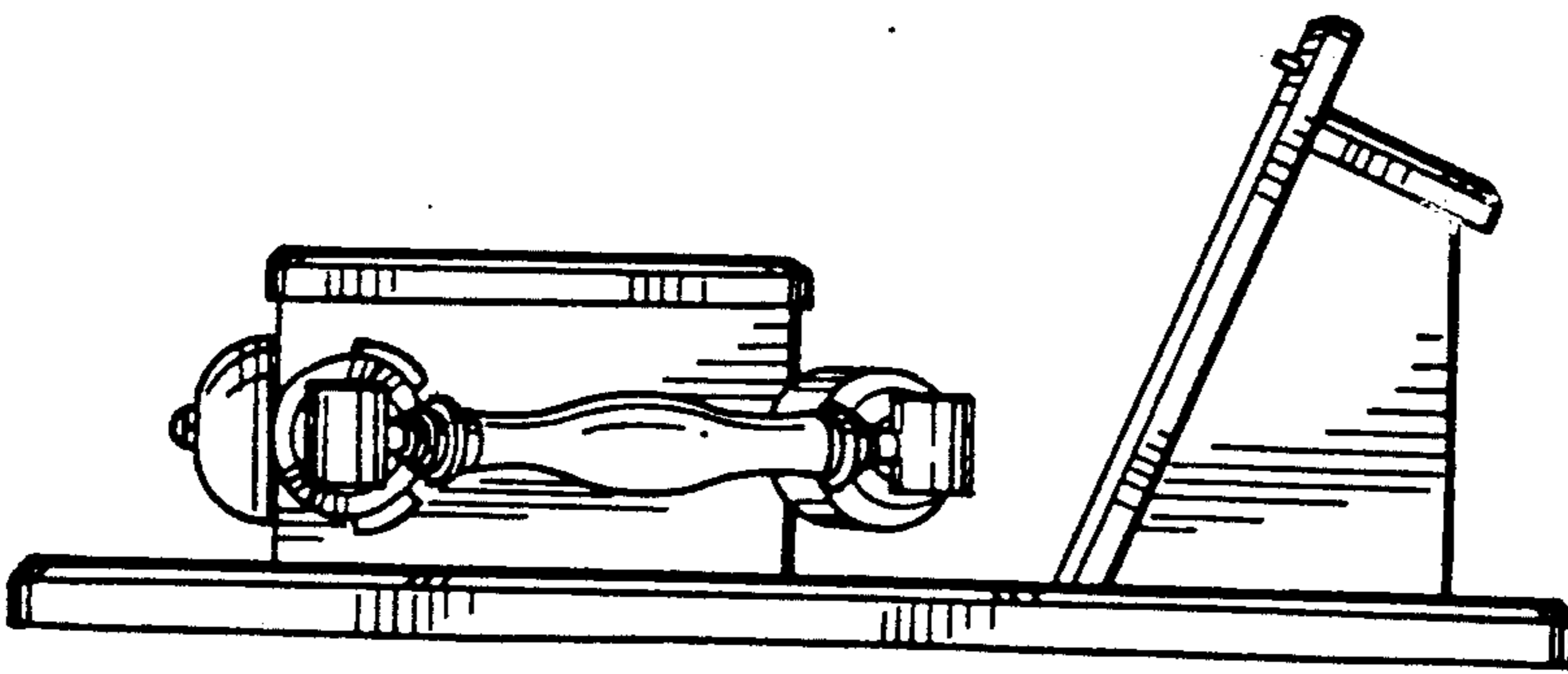


FIG. 4

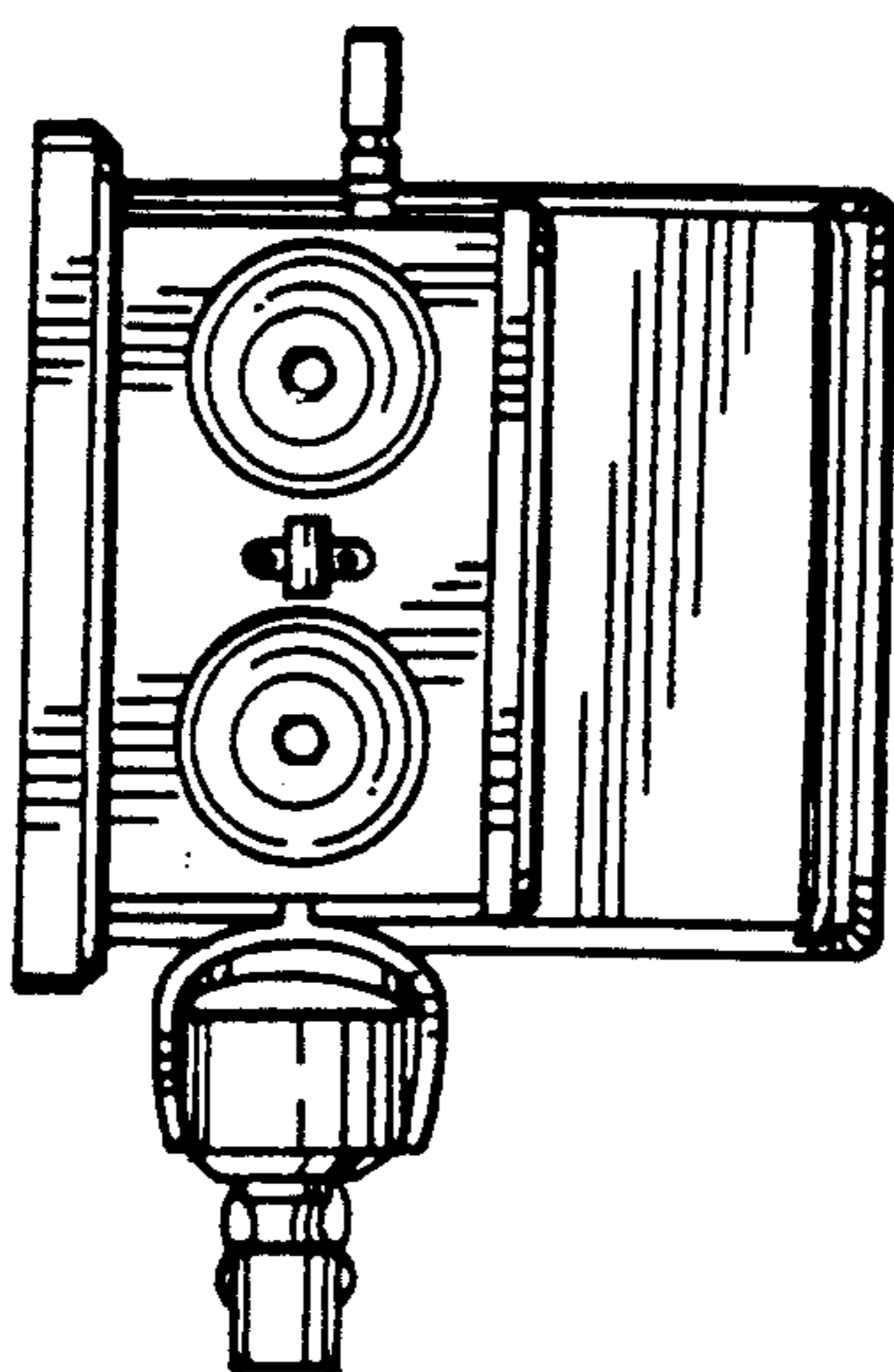


FIG. 6

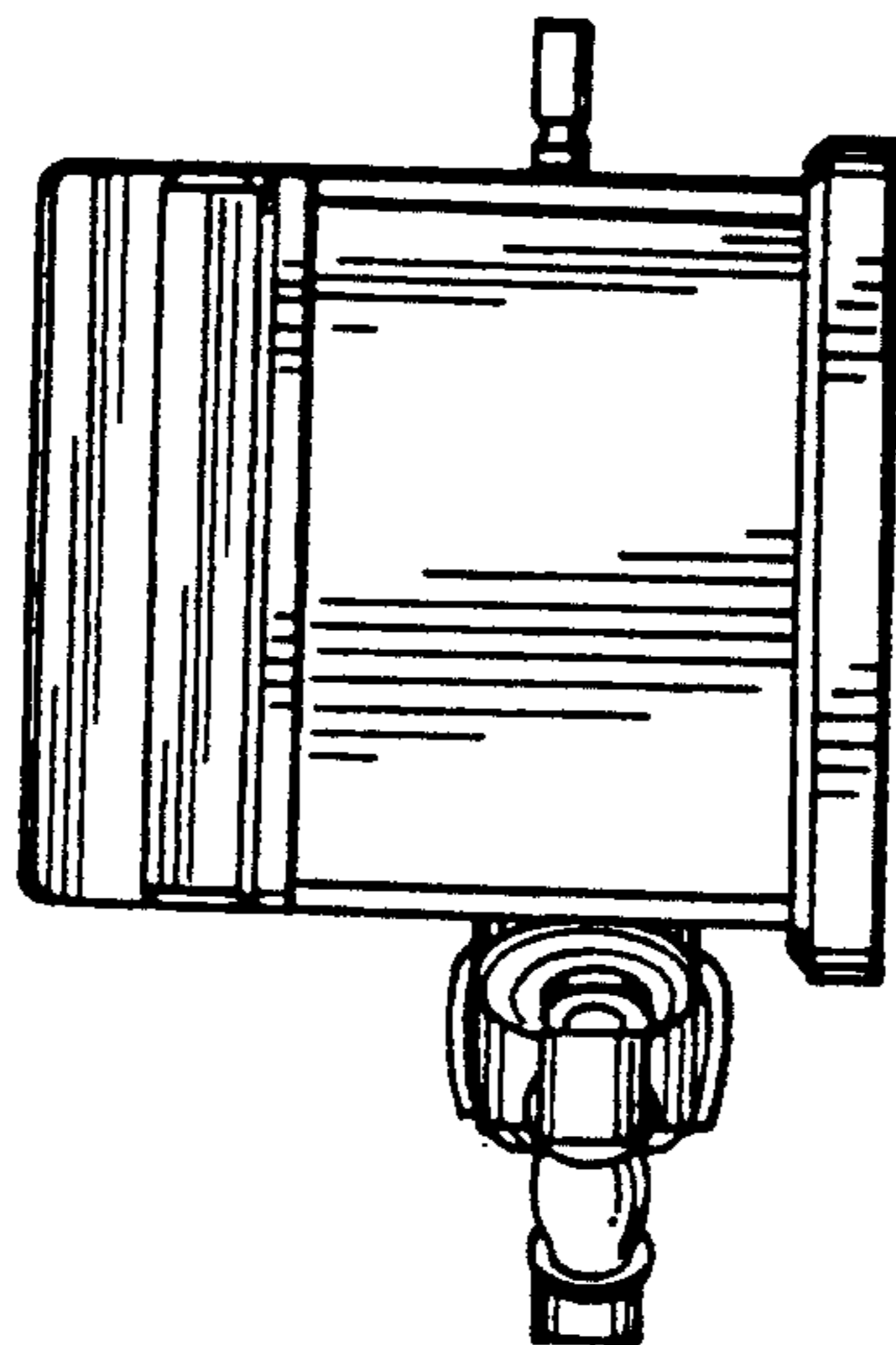


FIG. 7