



US00D340710S

United States Patent [19]

Ansai et al.

[11] Patent Number: **Des. 340,710**

[45] Date of Patent: **** Oct. 26, 1993**

[54] RADIO HOUSING

[75] Inventors: **Russell Ansai**, Chicago; **Allen Wong**, Streamwood; **John P. Murzanski**, Schaumburg; **Anthony Scianna, Sr.**, Morton Grove; **Andrew W. Ill**, Arlington Heights, all of Ill.

[73] Assignee: **Motorola, Inc.**, Schaumburg, Ill.

[**] Term: **14 Years**

[21] Appl. No.: **636,976**

[22] Filed: **Jan. 2, 1991**

[52] U.S. Cl. **D14/137**

[58] Field of Search **D14/137-138, D14/157, 188, 257-258; 455/73, 89-90, 345-347; D13/184**

[56] References Cited

U.S. PATENT DOCUMENTS

D. 277,667	2/1985	Zurawski	D14/157
D. 301,476	6/1989	Scianna	D14/188
D. 310,665	9/1990	Fortune et al.	D13/184 X
D. 327,072	6/1992	Christie	D14/188 X
D. 327,260	6/1992	Davis et al.	D13/184 X

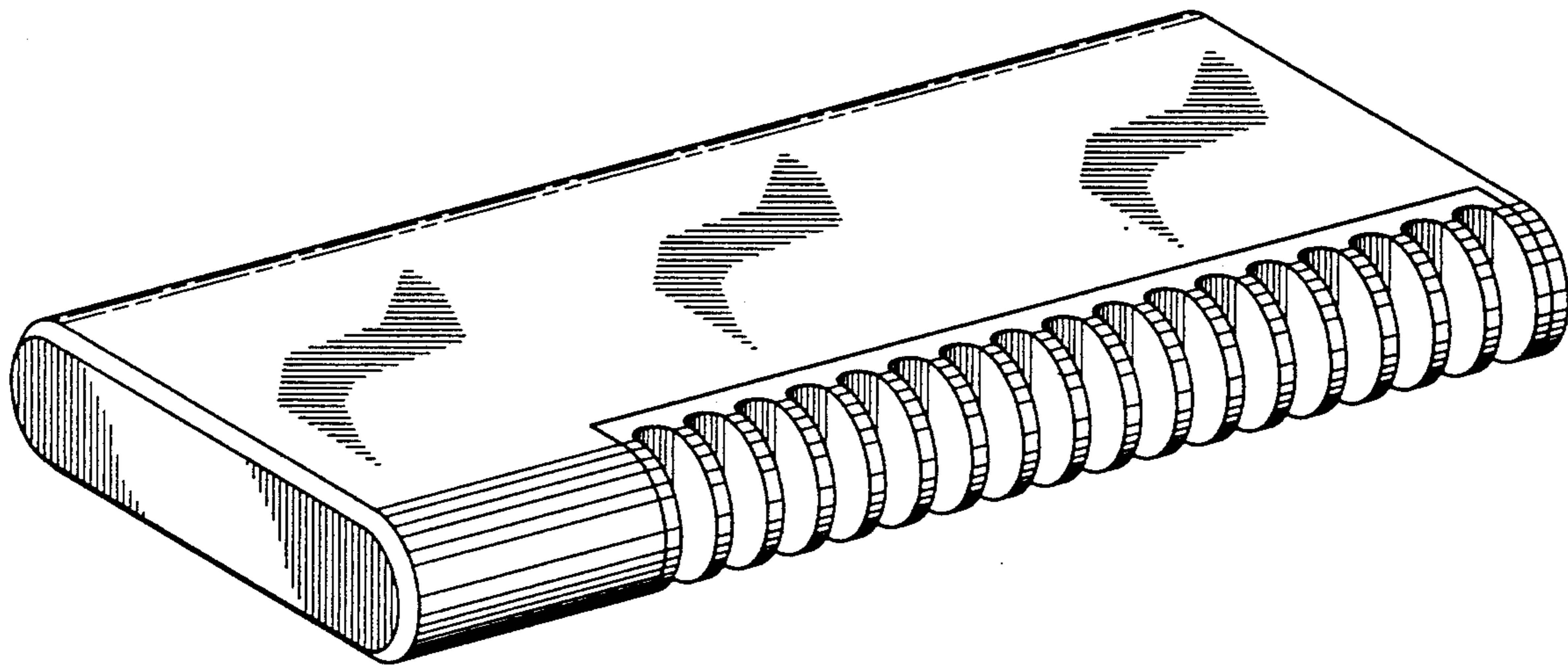
Primary Examiner—Theodore M. Shooman
Attorney, Agent, or Firm—Kenneth W. Bolvin

[57] CLAIM

The ornamental design for a radio housing, as shown and described.

DESCRIPTION

FIG. 1 is a front, top, and right side perspective view of a radio housing showing our new design; FIG. 2 is a bottom plan view thereof; FIG. 3 is a rear elevational view thereof; and, FIG. 4 is a left side elevational view thereof.



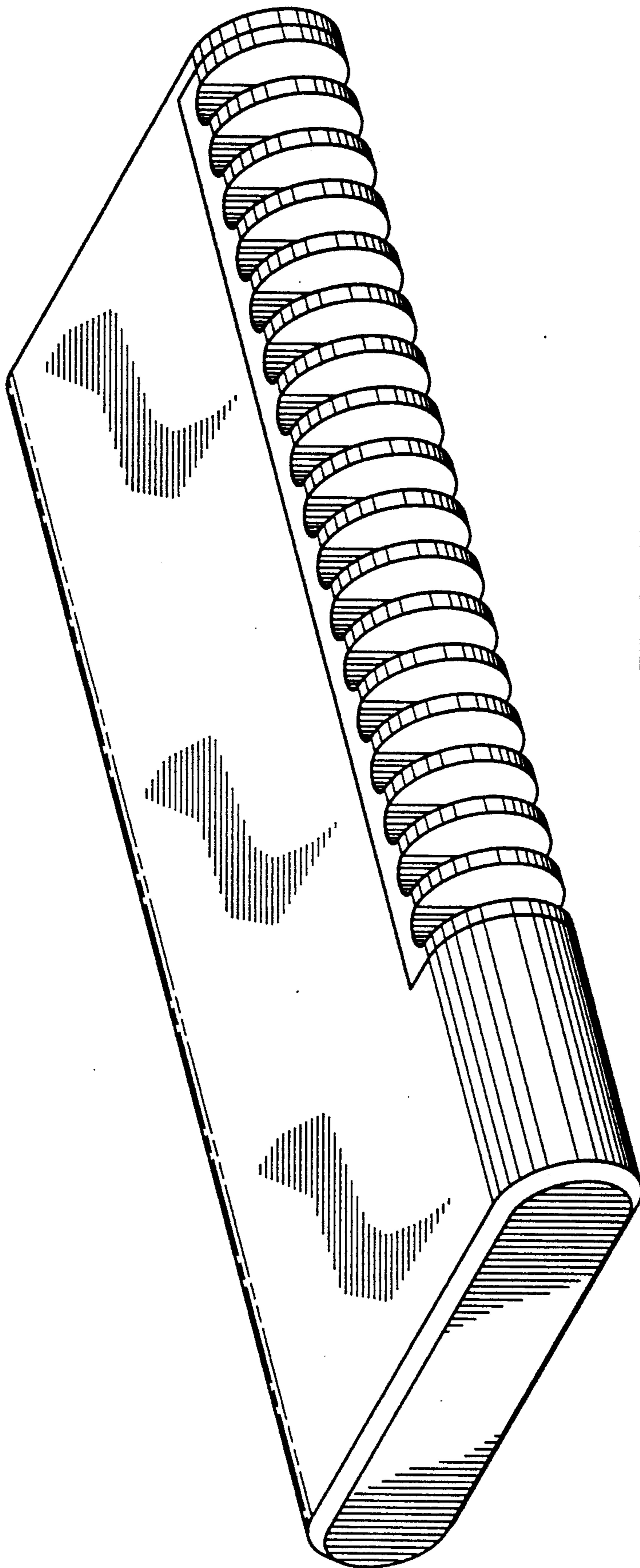


FIG. 1

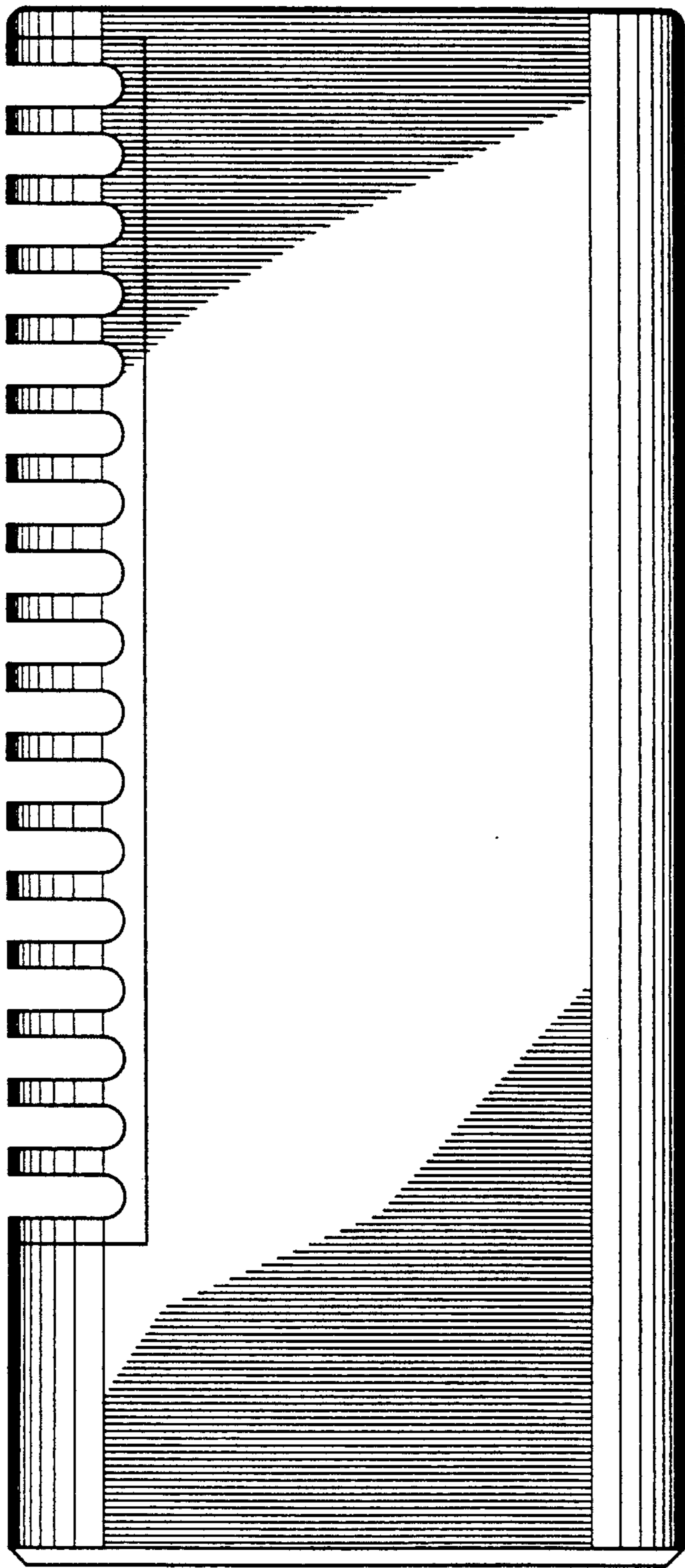


FIG. 2

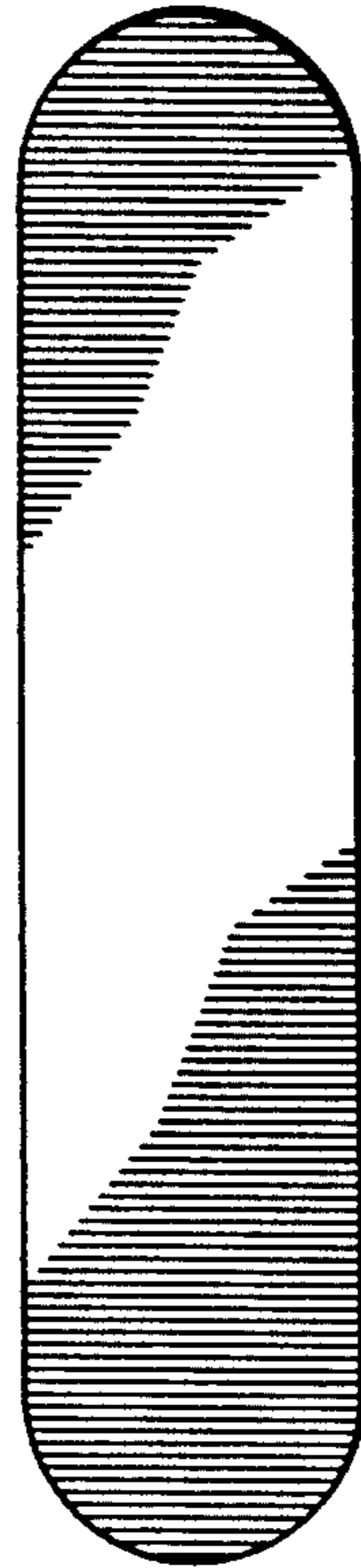


FIG. 3

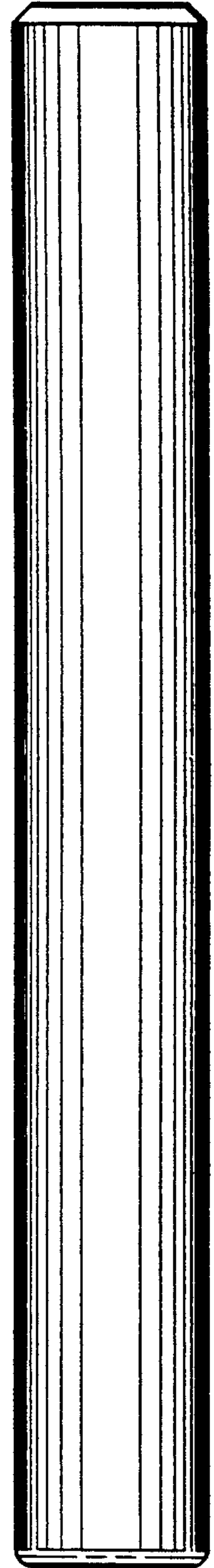


FIG. 4