



US00D340709S

# United States Patent [19]

[11] Patent Number: **Des. 340,709**

**Nagele**

[45] Date of Patent: **\*\* Oct. 26, 1993**

[54] **RADIO HOUSING**

4,881,258 11/1989 Kaiwa et al. .... 455/90 X

[75] Inventor: **Albert L. Nagele, Wilmette, Ill.**

### OTHER PUBLICATIONS

[73] Assignee: **Motorola, Inc., Schaumburg, Ill.**

Advertisement from Cellular Business magazine, Aug. 1990, p. 5, 83, 95.

[\*\*] Term: **14 Years**

*Primary Examiner*—Theodore M. Shooman  
*Attorney, Agent, or Firm*—Kenneth W. Bolvin

[21] Appl. No.: **621,557**

### [57] CLAIM

[22] Filed: **Nov. 30, 1990**

The ornamental design for a radio housing, as shown and described.

[52] U.S. Cl. .... **D14/137**

[58] Field of Search ..... **D14/137-138, D14/157, 257-258; 455/73, 89-90, 345-347**

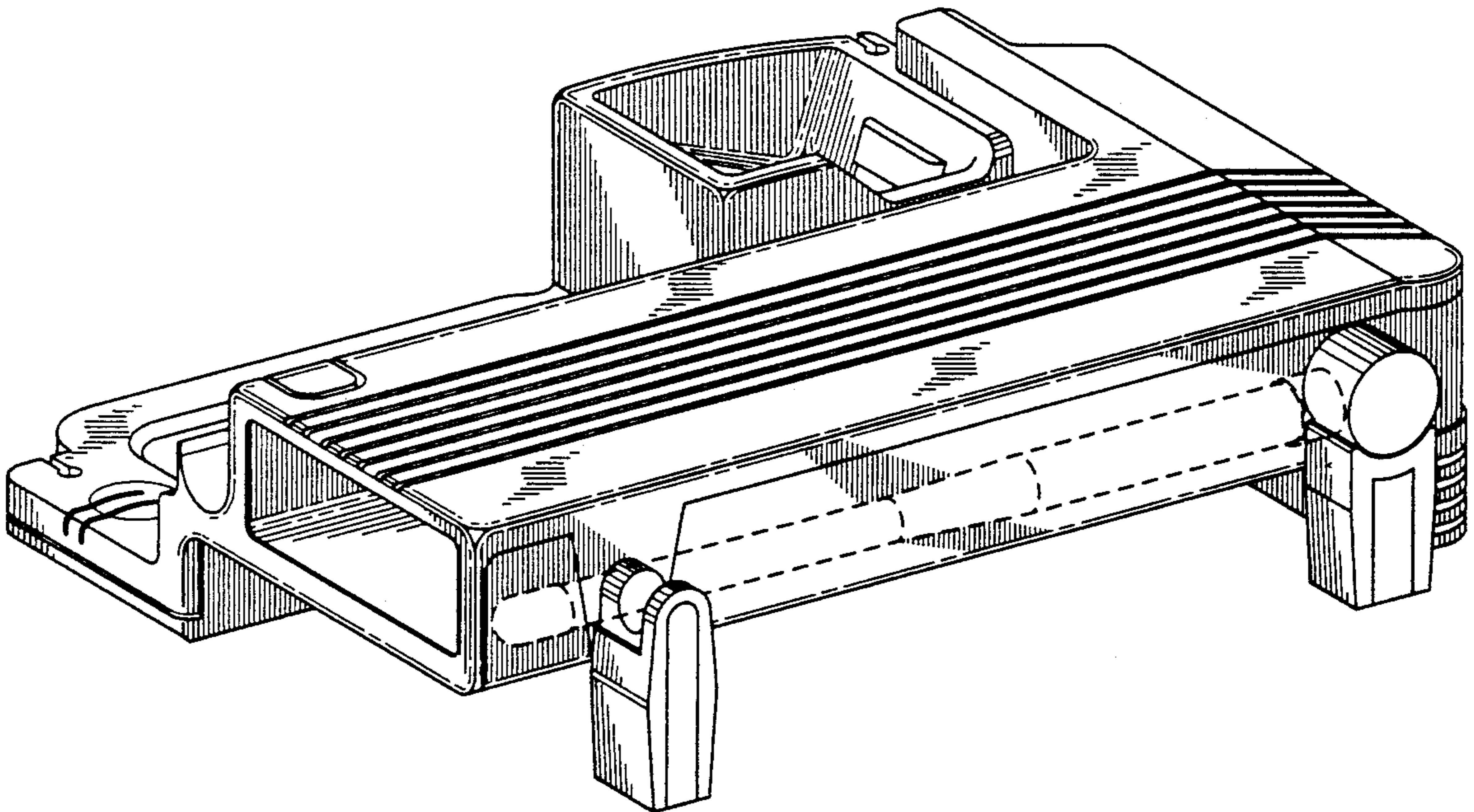
### DESCRIPTION

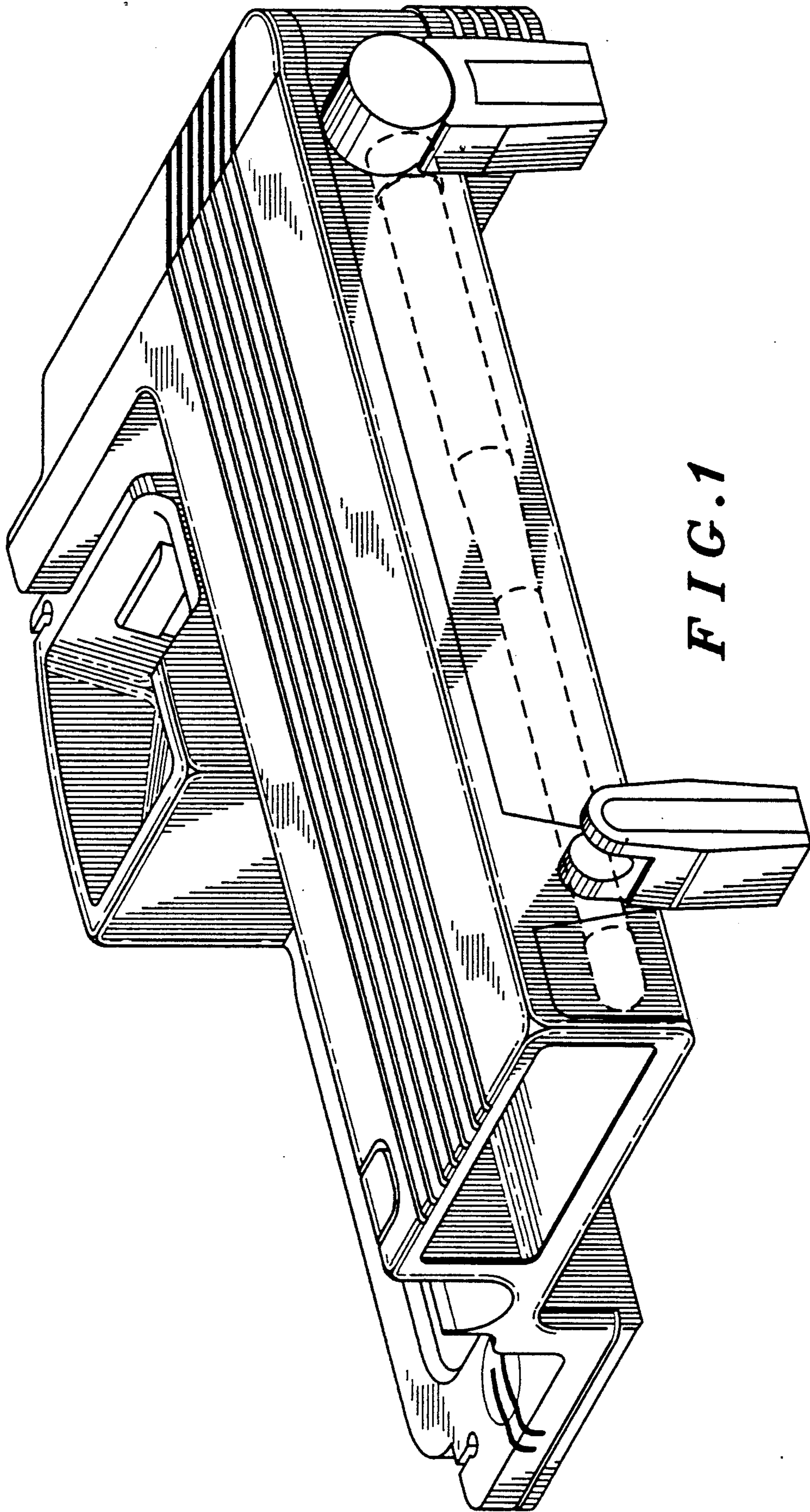
### [56] References Cited

#### U.S. PATENT DOCUMENTS

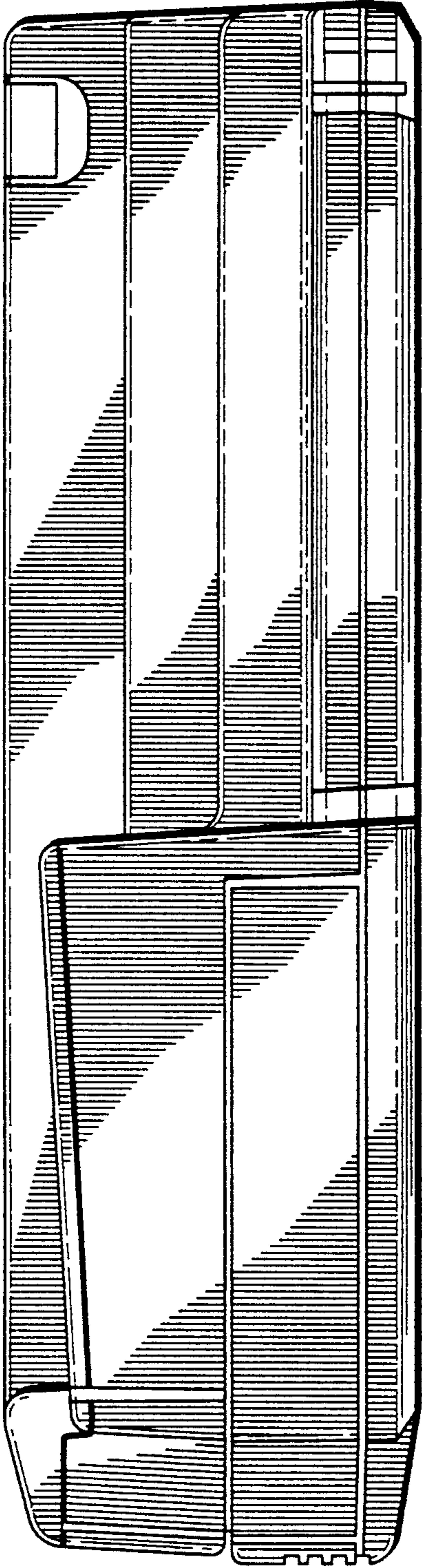
- D. 301,473 6/1989 Rojc ..... D14/137
- D. 312,642 12/1990 Lay et al. .... D14/137 X
- D. 313,024 12/1990 Richards et al. .... D14/137 X
- 4,227,258 10/1980 Root et al. .... 455/89 X

FIG. 1 is a front, top and right side perspective view of a radio housing showing my new design, the antenna shown in broken lines is for illustrative purposes only and forms no part of the claimed design; FIG. 2 is a left elevational view thereof; FIG. 3 is a rear elevational view thereof; and, FIG. 4 is a bottom plan view thereof.

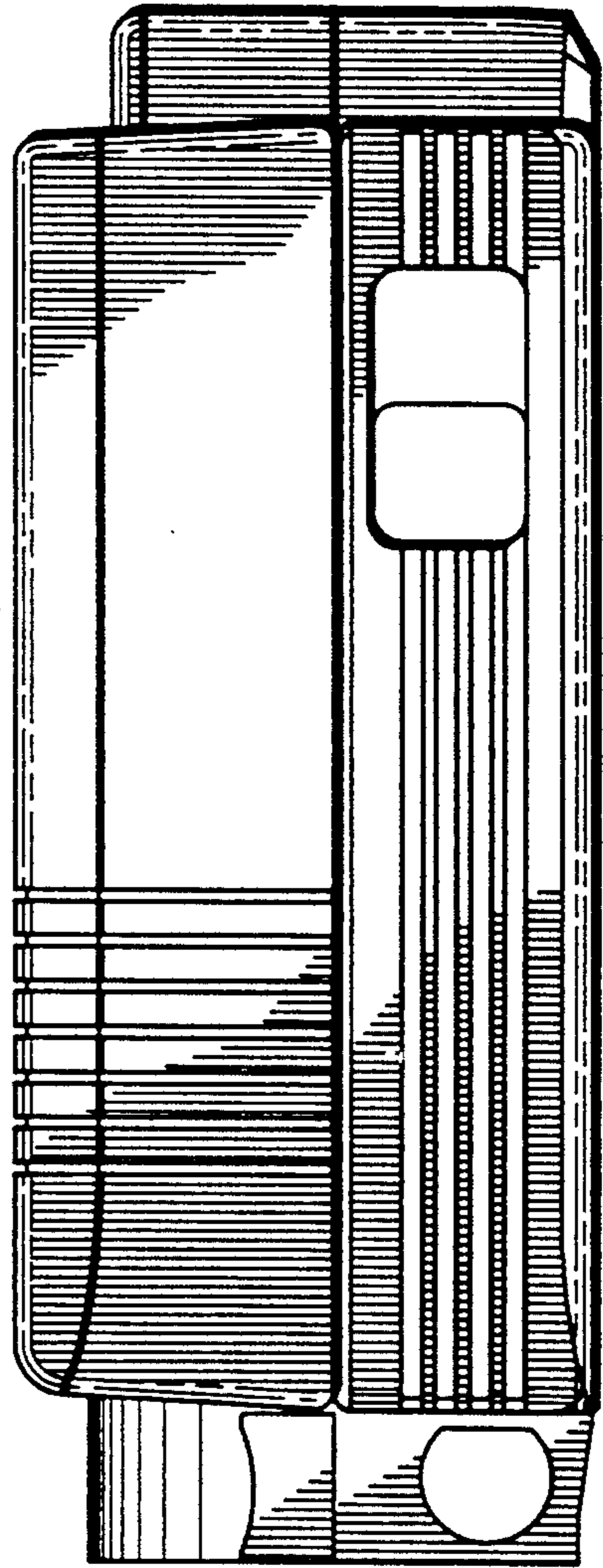




*FIG. 1*



*FIG. 2*



*FIG. 3*

FIG. 4

