



US00D340703S

United States Patent [19]

[11] Patent Number: Des. 340,703

Koiwa

[45] Date of Patent: ** Oct. 26, 1993

[54] PERSONAL COMPUTER

- [75] Inventor: Norimi Koiwa, Tokyo, Japan
- [73] Assignee: Oki Electric Industry Co., Ltd., Tokyo, Japan
- [**] Term: 14 Years
- [21] Appl. No.: 807,938
- [22] Filed: Dec. 17, 1991

[30] Foreign Application Priority Data

- Oct. 4, 1991 [JP] Japan 3-29852
- [52] U.S. Cl. D14/106
- [58] Field of Search D14/100, 101, 106, 113, D14/115; D18/1, 7, 11, 12; 235/145 A, 145 R; 340/700, 706; 341/22, 23; 361/390, 394; 364/708, 709.04

[56] References Cited

U.S. PATENT DOCUMENTS

- D. 306,285 2/1990 Yu D14/106
- D. 308,051 5/1990 Sakai D14/106
- D. 309,603 7/1990 Mizusugi et al. D14/106
- D. 311,528 10/1990 Sugano et al. D14/106
- D. 311,741 10/1990 Sakai D14/106
- D. 311,906 11/1990 Iino D14/106
- D. 312,248 11/1990 Seki D14/106
- D. 312,249 11/1990 Sugano et al. D14/106
- D. 313,978 1/1991 Miyakuni D14/106
- D. 314,558 2/1991 Iino D14/106
- D. 316,706 5/1991 Imamura et al. D14/106
- D. 317,444 6/1991 Mizusugi et al. D14/106
- D. 334,740 4/1993 Krause et al. D14/106

FOREIGN PATENT DOCUMENTS

- 55737 2/1986 Canada .
- 62053 11/1988 Canada .
- 63045 4/1989 Canada .
- 65876 4/1990 Canada .
- M 8908525 4/1990 Canada .
- 66062 5/1990 Canada .
- 68017 2/1991 Canada .
- 68274 3/1991 Canada .
- 68346 4/1991 Canada .
- 68377 4/1991 Canada .

(List continued on next page.)

OTHER PUBLICATIONS

- Sanyo "The Lap Top Ax" undated.
- Hitachi "Personal Workstation 2020 Series" undated.
- Hitachi "Personal Computer B16 LX Series" undated.
- Ricoh "Mr. Mytool LX 11" undated.
- Epson "Laptop PC PC-286LE" undated.
- Mitsubishi Electric "MAXY LT3" undated.
- Sharp "TFT Multi Color Personal Workstation AX386LC" undated.
- IBM "Personal System/55 Model 5535-S" undated.
- Sony "Lap Top RISC News" undated.
- Mitsubishi "MAXY LT3C" undated.
- Toshiba "SPARC LT AS1000/L10" undated.
- Toshiba "J-3100GT" undated.
- Toshiba "J-3100SGX" undated.
- NEC "PC-9801 LX2/LX4/LX5" undated.
- Epson "32 bit Laptop PC-386LS" undated.
- Panasonic (Matsushita) "Panacom M 353" undated.
- Fijitsu "FM R-50LT" undated.

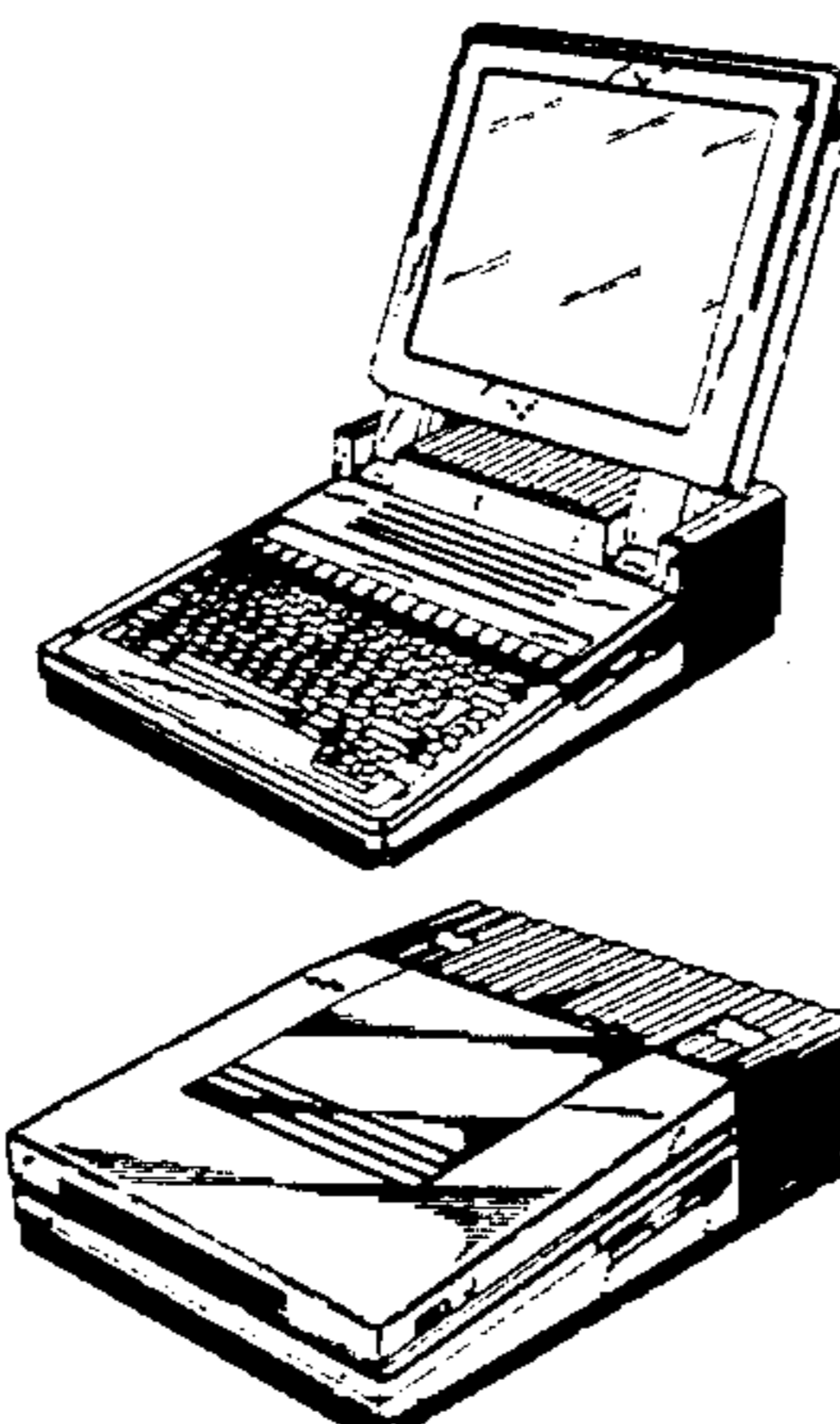
Primary Examiner—Wallace R. Burke
Assistant Examiner—Freda S. Nunn
Attorney, Agent, or Firm—Wenderoth, Lind & Ponack

[57] CLAIM

The ornamental design for a personal computer, as shown and described.

DESCRIPTION

FIG. 1 is a right side, top and front perspective view of a personal computer showing my new design;
 FIG. 2 is a front elevational view thereof;
 FIG. 3 is a rear elevational view thereof;
 FIG. 4 is a top plan view thereof;
 FIG. 5 is a bottom plan view thereof;
 FIG. 6 is a left side elevational view thereof;
 FIG. 7 is a right side elevational view thereof;
 FIG. 8 is a right side, top and front perspective view thereof, the display window being in the closed position; and,
 FIG. 9 is a sectional view thereof taken along line IX—IX in FIG. 2.
 FIGS. 2-9 are drawn on an enlarged scale.



FOREIGN PATENT DOCUMENTS

M 8800660	10/1988	Fed. Rep. of Germany .	M 8906978	11/1990	Fed. Rep. of Germany .
M 8801080	3/1989	Fed. Rep. of Germany .	M 8907123	12/1990	Fed. Rep. of Germany .
M 8802901	5/1989	Fed. Rep. of Germany .	M 8908517	12/1990	Fed. Rep. of Germany .
M 8800655	10/1989	Fed. Rep. of Germany .	M 8908871	12/1990	Fed. Rep. of Germany .
M 8803665	10/1989	Fed. Rep. of Germany .	M 9003545	12/1990	Fed. Rep. of Germany .
M 8900126	10/1989	Fed. Rep. of Germany .	M 8904415	1/1991	Fed. Rep. of Germany .
M 8902362	10/1989	Fed. Rep. of Germany .	M 9000295	1/1991	Fed. Rep. of Germany .
M 8803400	11/1989	Fed. Rep. of Germany .	M 9001609	2/1991	Fed. Rep. of Germany .
M 8803410	12/1989	Fed. Rep. of Germany .	M 8906834	3/1991	Fed. Rep. of Germany .
M 8803411	12/1989	Fed. Rep. of Germany .	M 9003695	3/1991	Fed. Rep. of Germany .
M 8906262	4/1990	Fed. Rep. of Germany .	M 9001740	5/1991	Fed. Rep. of Germany .
M 8906572	4/1990	Fed. Rep. of Germany .	M 9003692	6/1991	Fed. Rep. of Germany .
M 8908516	7/1990	Fed. Rep. of Germany .	M 9003826	6/1991	Fed. Rep. of Germany .
M 8902801	8/1990	Fed. Rep. of Germany .	M 9006143	6/1991	Fed. Rep. of Germany .
M 8904491	9/1990	Fed. Rep. of Germany .	M 9006632	6/1991	Fed. Rep. of Germany .
M 8903964	10/1990	Fed. Rep. of Germany .	761927	2/1989	Japan .
M 8906231	10/1990	Fed. Rep. of Germany .	761927-1	11/1989	Japan .
M 8907801	10/1990	Fed. Rep. of Germany .	781463	11/1989	Japan .
M 8908861	10/1990	Fed. Rep. of Germany .	782112	11/1989	Japan .
			761927-3	2/1990	Japan .

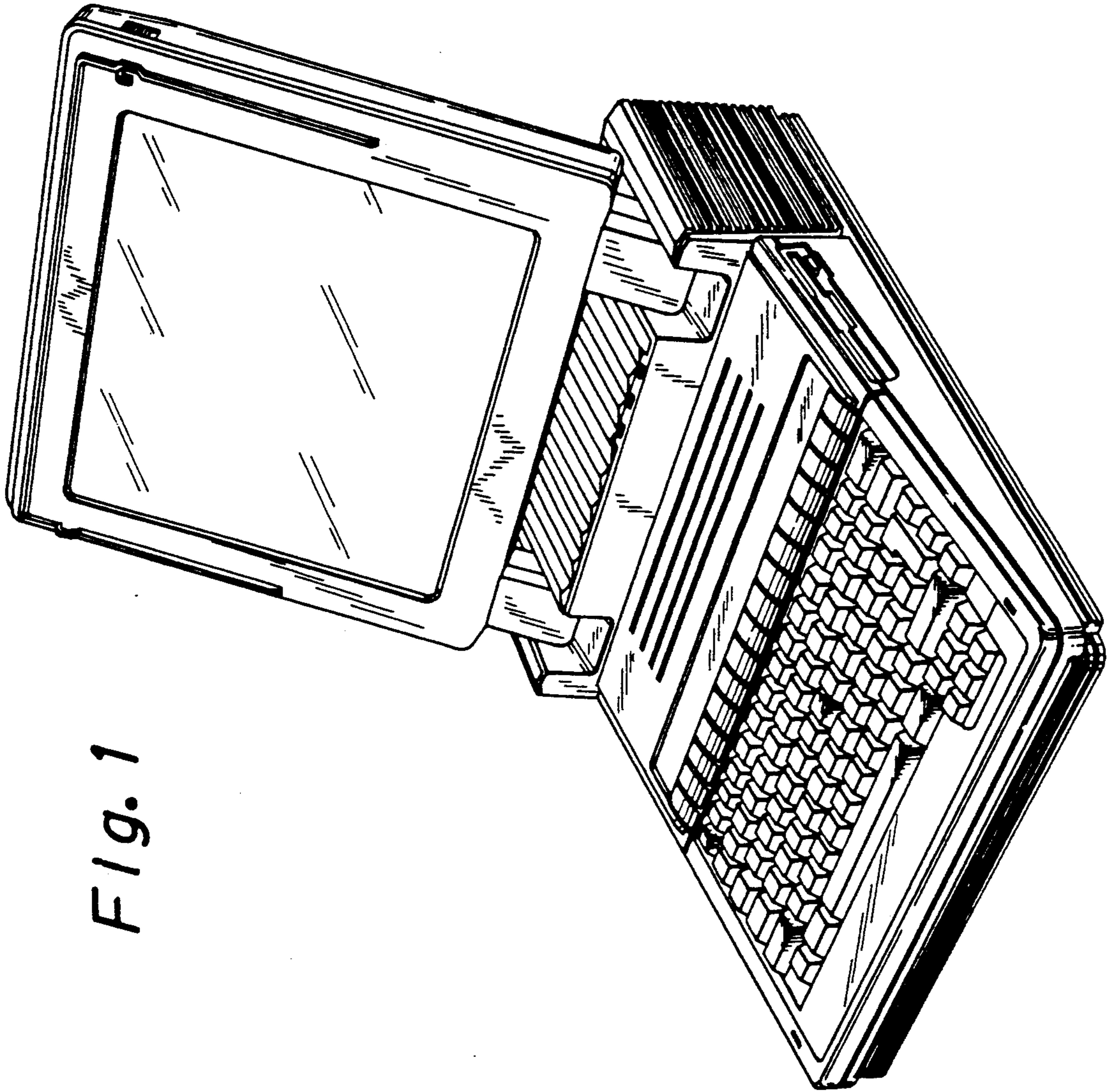


Fig. 1

Fig. 2

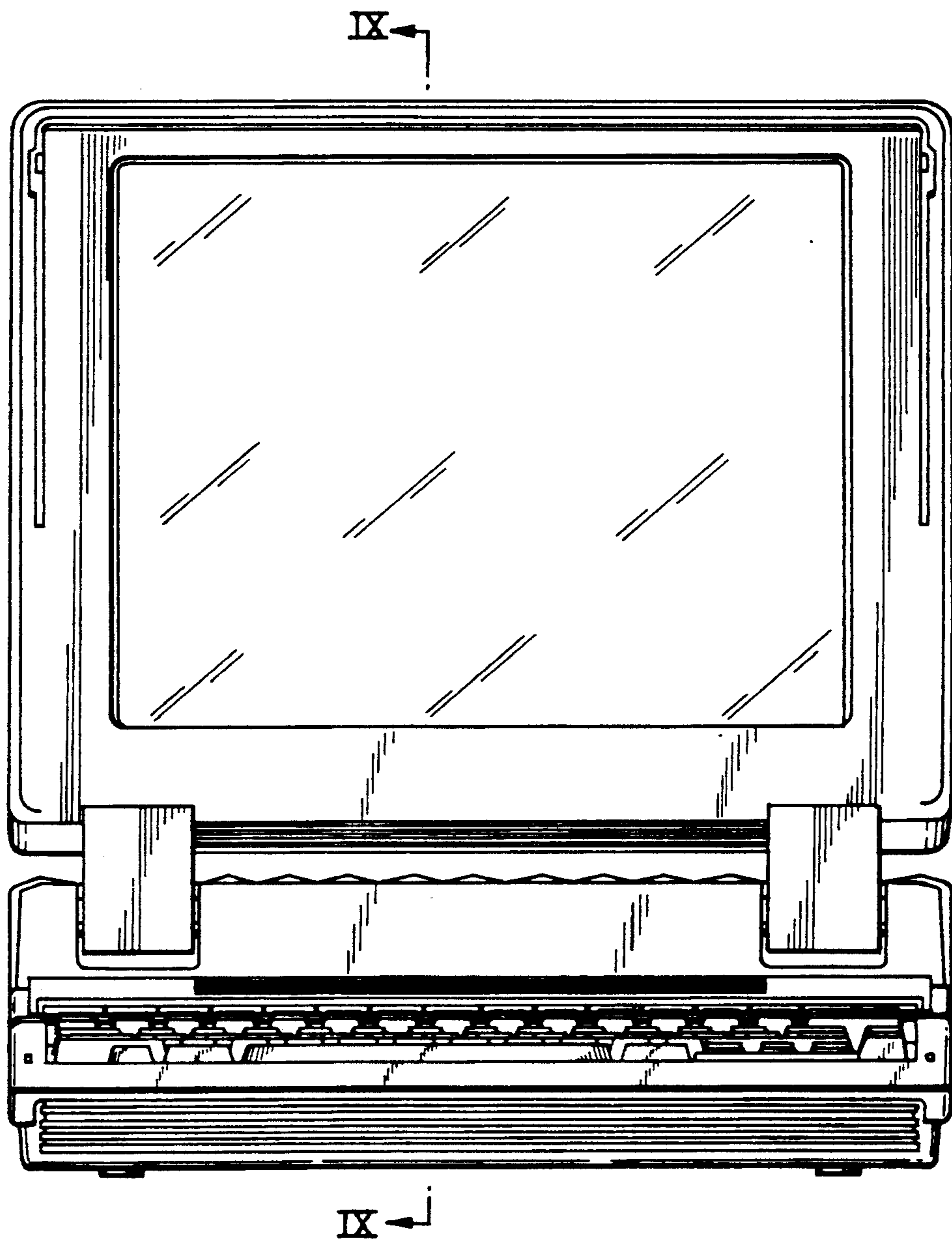


Fig. 3

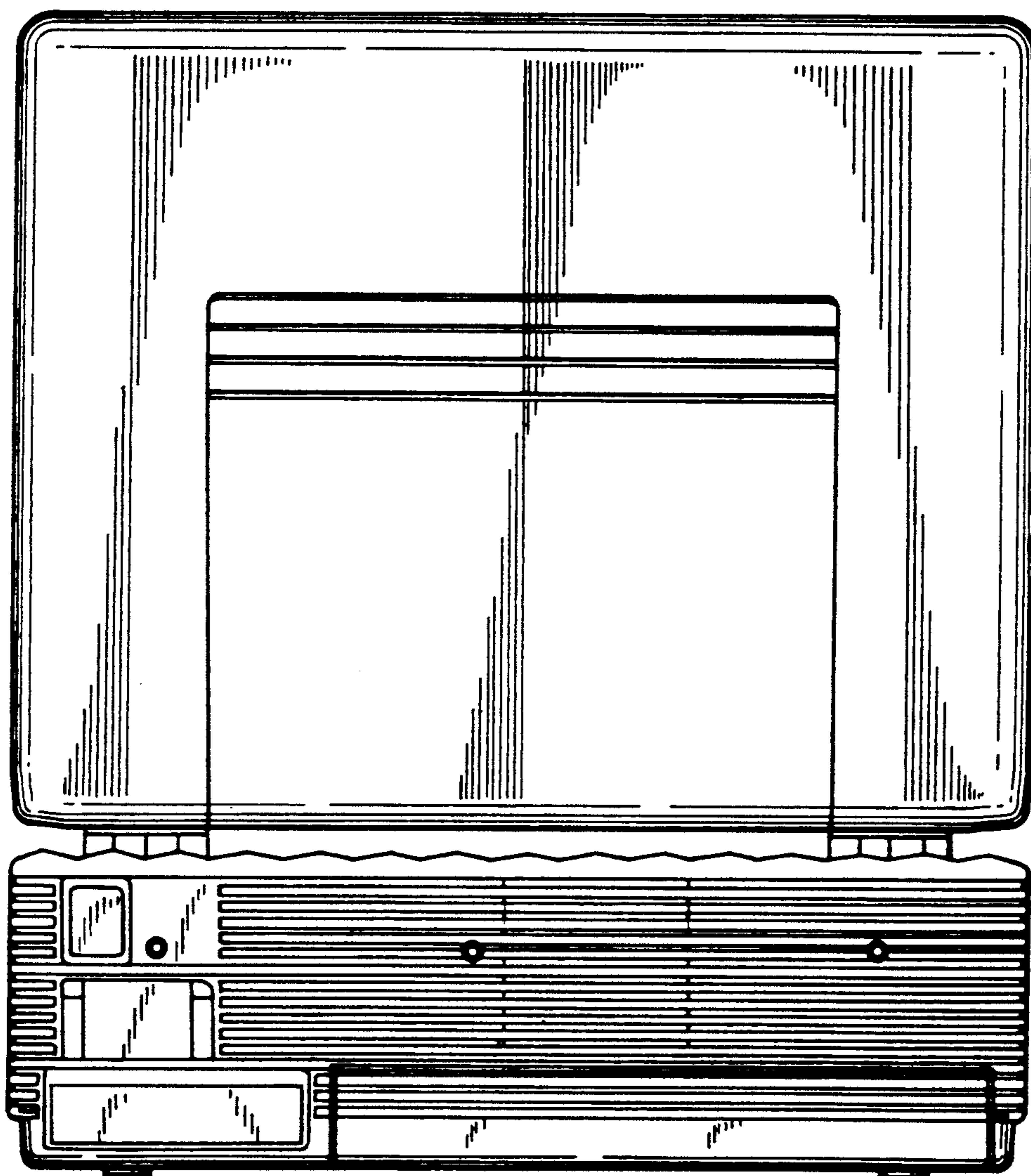


Fig. 4

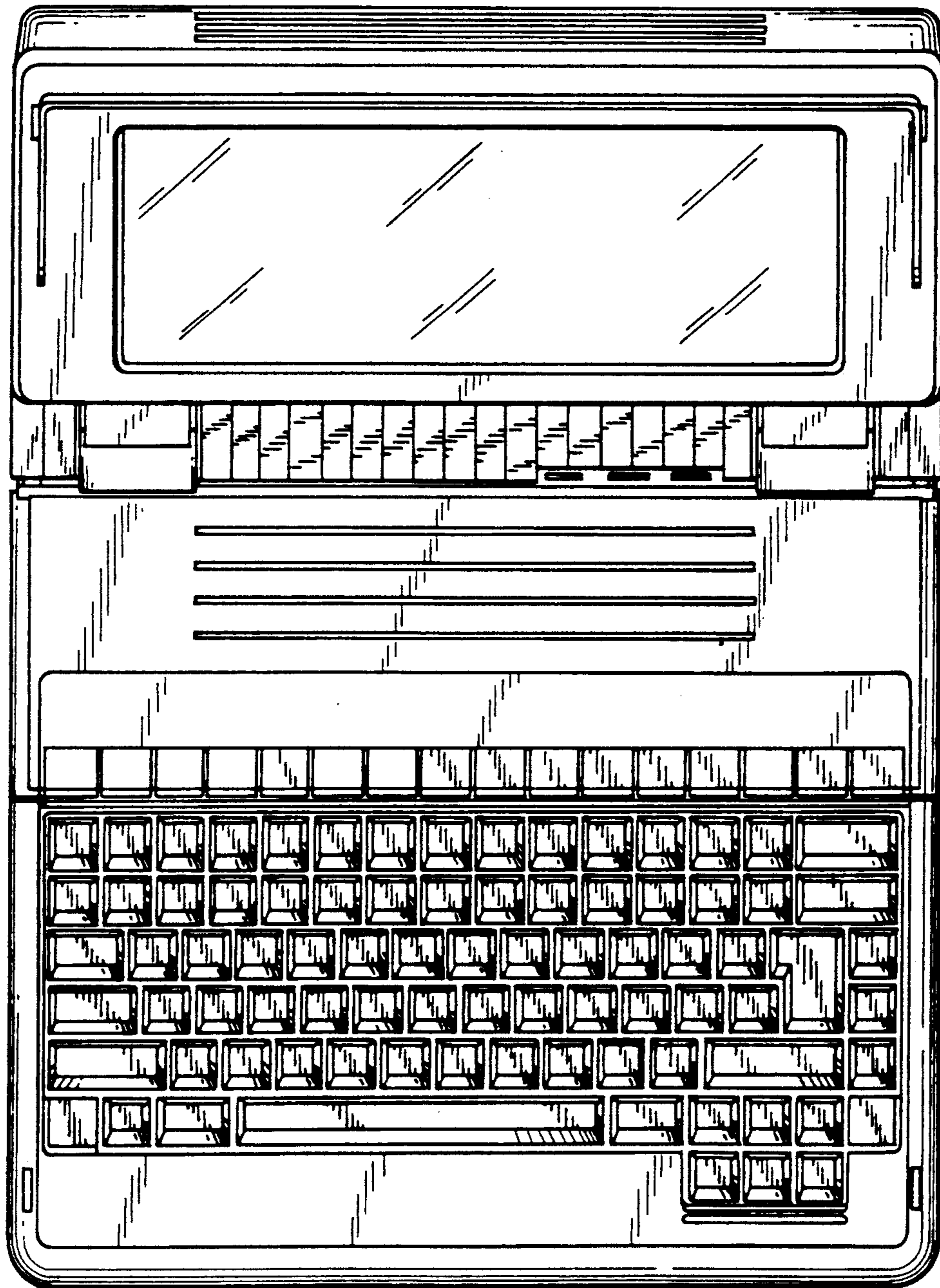


Fig. 5

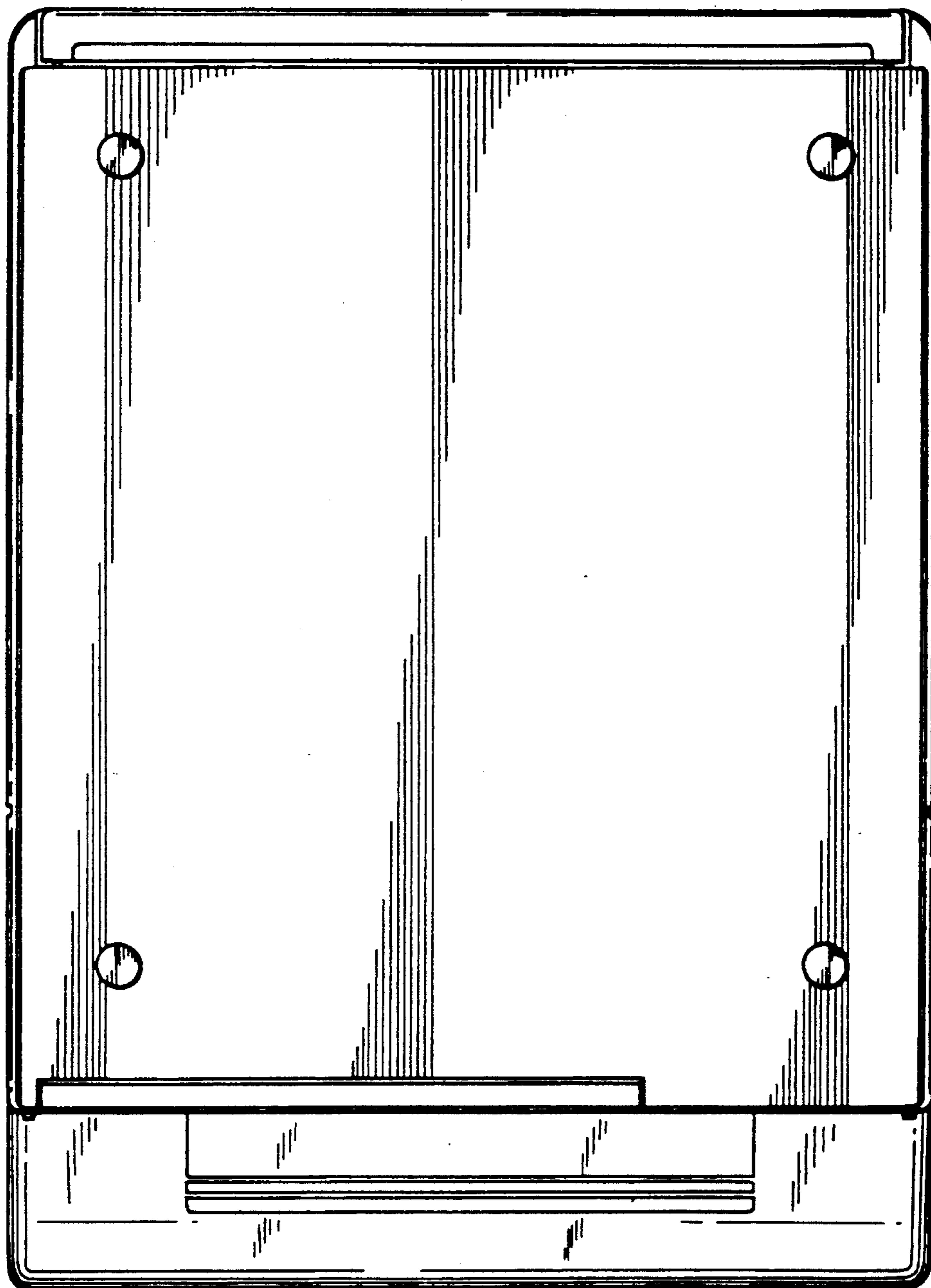
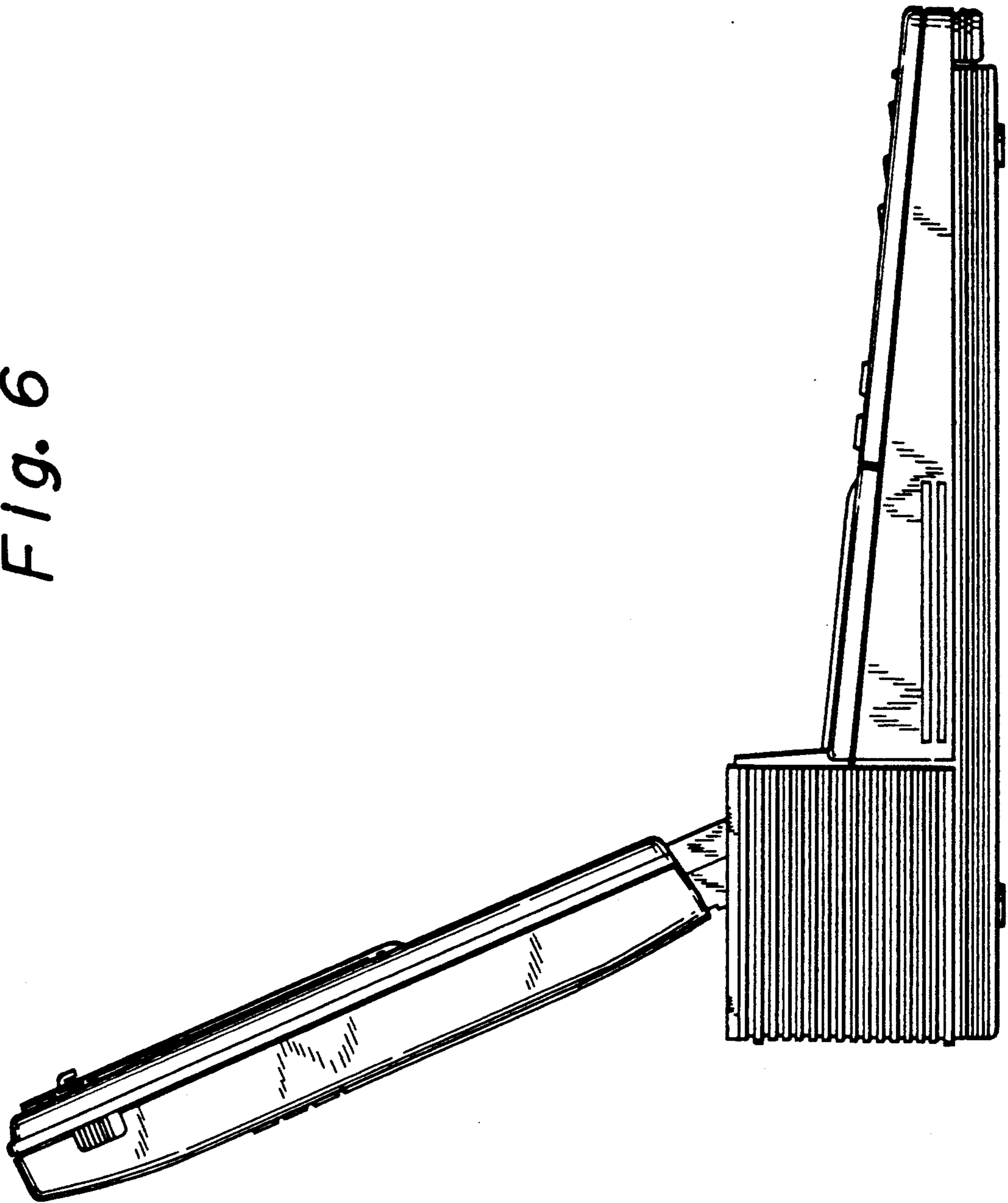


Fig. 6



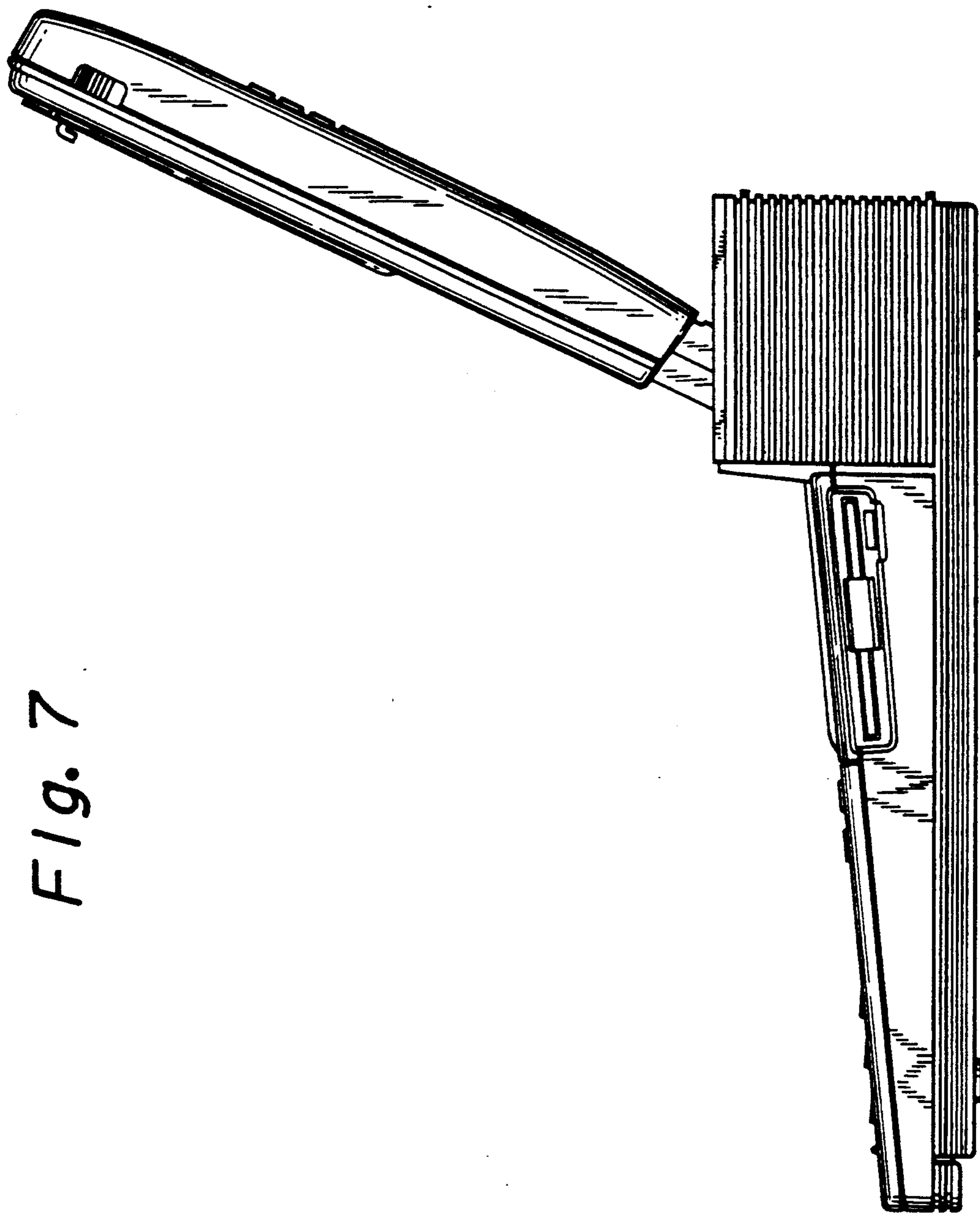
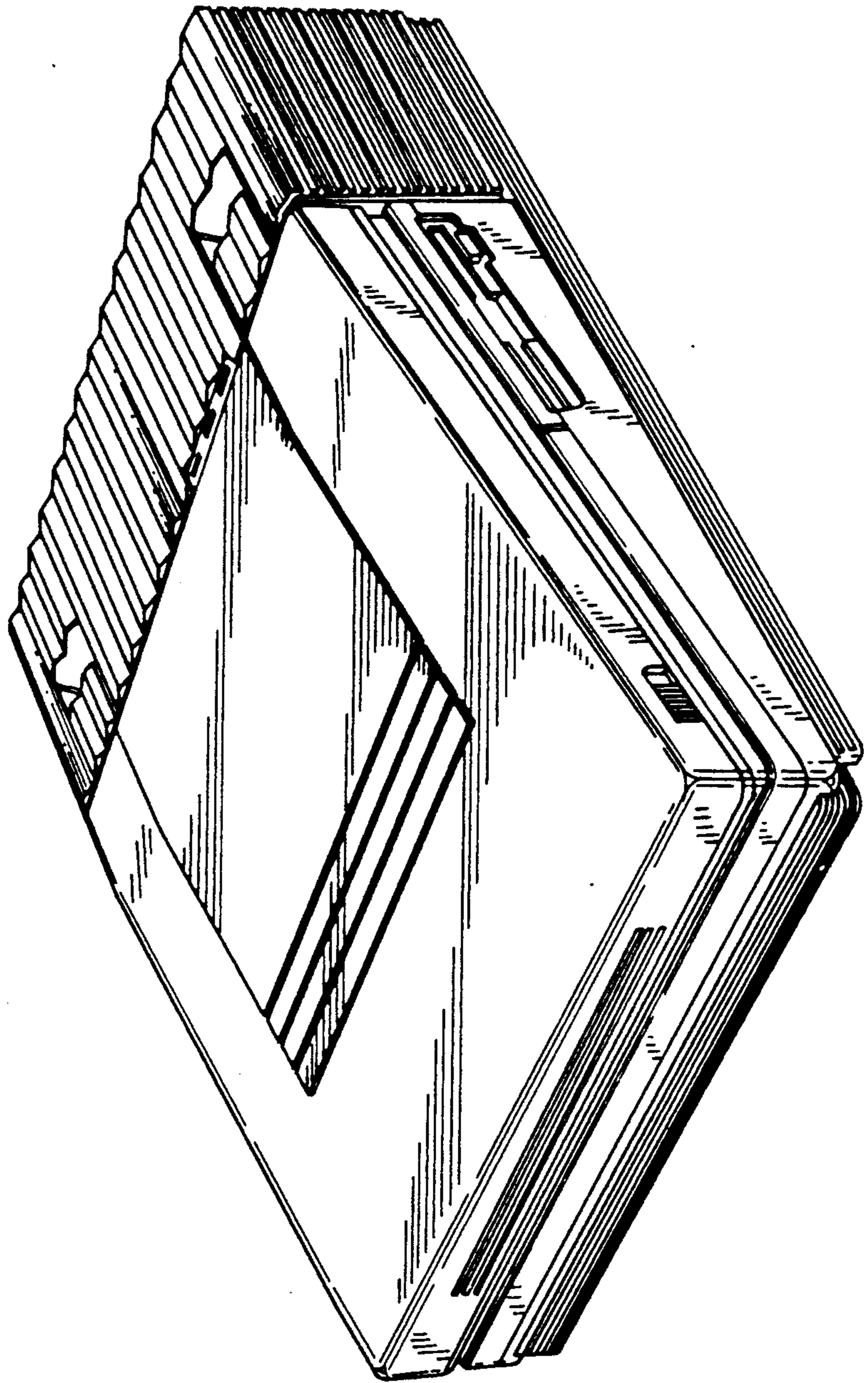


Fig. 7

Fig. 8



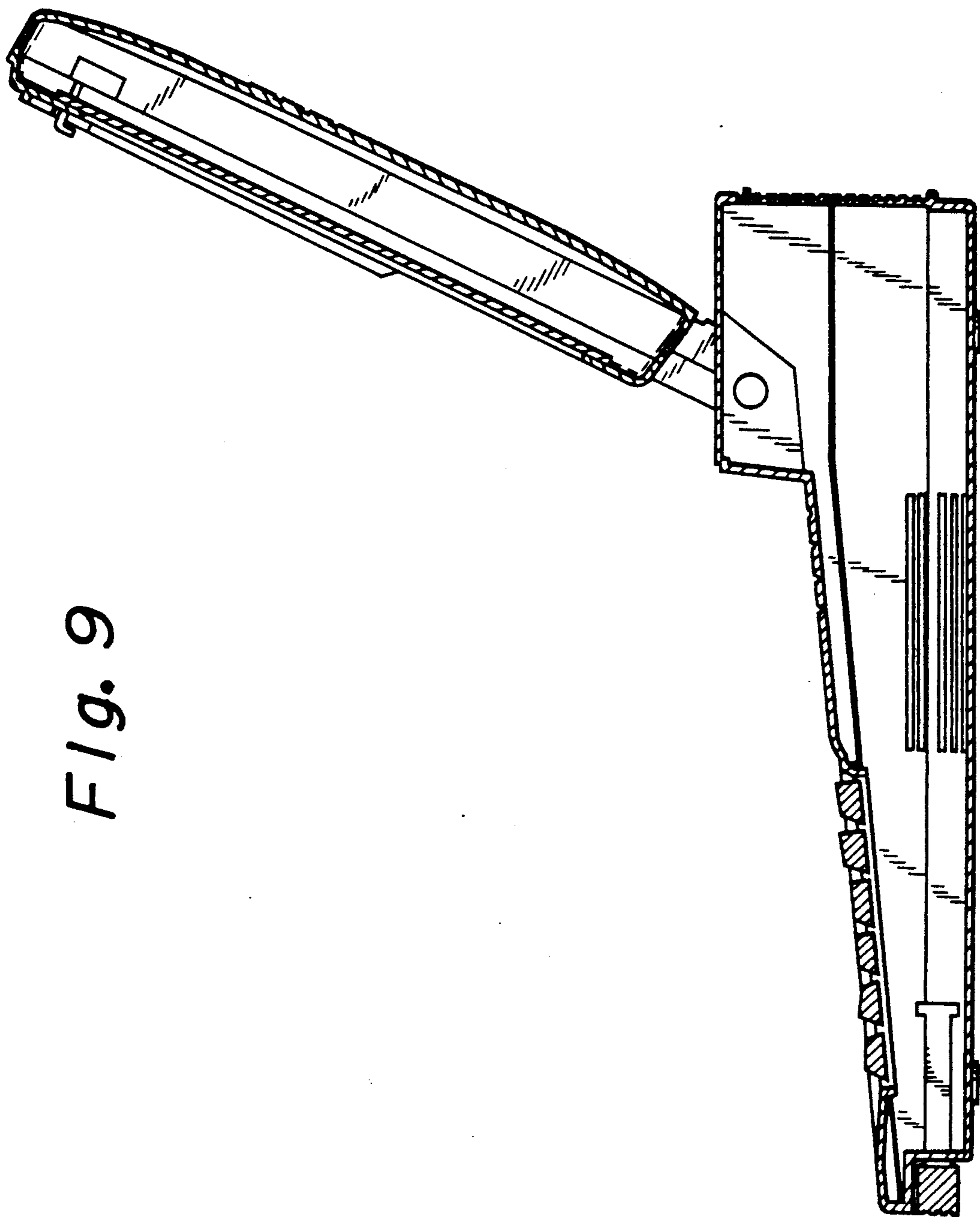


Fig. 9