



US00D340702S

United States Patent [19]

[11] Patent Number: **Des. 340,702**

Hembree

[45] Date of Patent: **** Oct. 26, 1993**

[54] **COMPUTER PROGRAMMING TERMINAL**

4,617,640 10/1986 Kishi et al. 364/708

[76] Inventor: **David Hembree, 5906 Glen Echo, Howell, Mich. 48843**

*Primary Examiner—Wallace R. Burke
Assistant Examiner—Freda S. Nunn
Attorney, Agent, or Firm—Dykema Gossett*

[**] Term: **14 Years**

[57] CLAIM

[21] Appl. No.: **744,240**

The ornamental design for a computer programming terminal, as shown and described.

[22] Filed: **Aug. 13, 1991**

DESCRIPTION

[52] U.S. Cl. **D14/106**

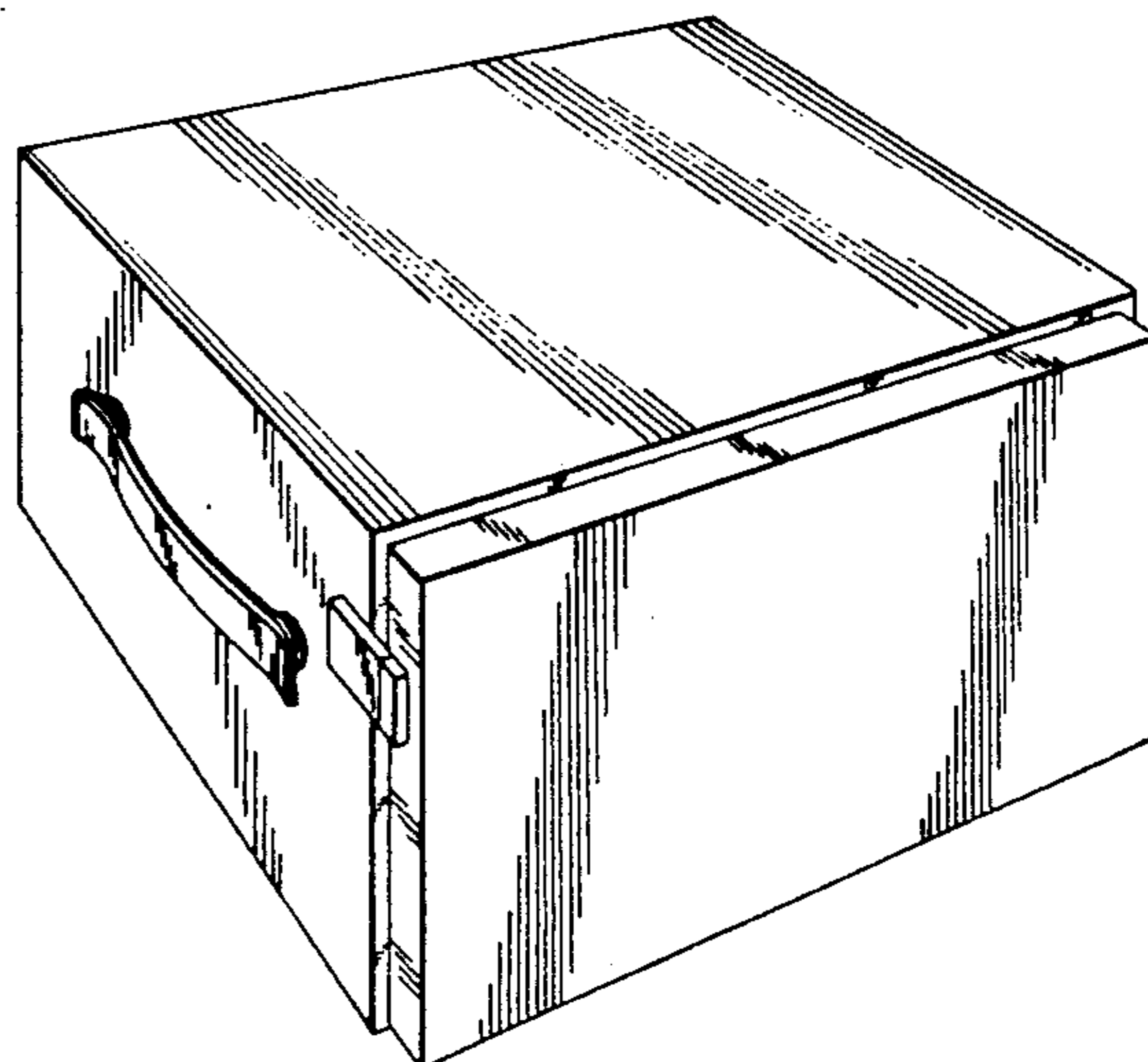
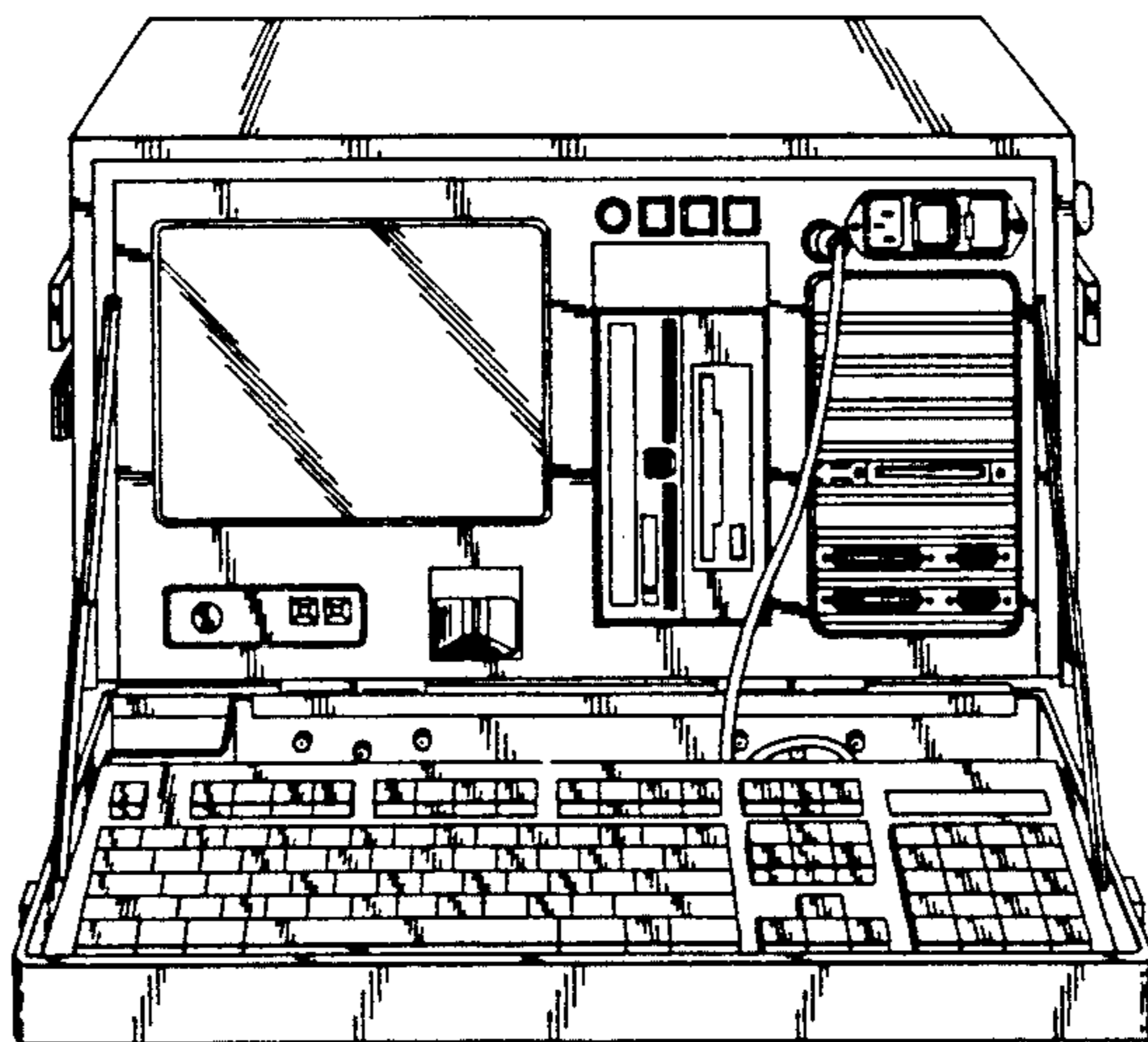
[58] Field of Search D14/100, 101, 106, 113, D14/115, 124-127; D18/1, 7, 11, 12; 235/145 A, 145 R; 340/700, 706; 341/22, 23; 364/708, 709.04; 361/390, 394

FIG. 1 is a top and front perspective view of a computer programming terminal with the keyboard in an extended position showing my new design; FIG. 2 is a right side elevational view thereof; FIG. 3 is a left side elevational view thereof; FIG. 4 is a bottom plan view thereof; FIG. 5 is a back elevational view thereof; FIG. 6 is a right side elevational view thereof with the keyboard shown in the stored position; FIG. 7 is a left side elevational view thereof; FIG. 8 is a bottom plan view thereof; and, FIG. 9 is a top, front and left side perspective view thereof.

[56] References Cited

U.S. PATENT DOCUMENTS

D. 248,299	6/1978	Morgan et al.	D14/106
D. 264,468	5/1982	Grae	D14/106
D. 273,679	5/1984	Grae	D14/106
D. 275,285	8/1984	Hardy	D14/106
D. 279,475	7/1985	Papajohn	D14/106
D. 280,510	9/1985	Wilson	D14/106
D. 293,109	12/1987	George et al.	D14/100



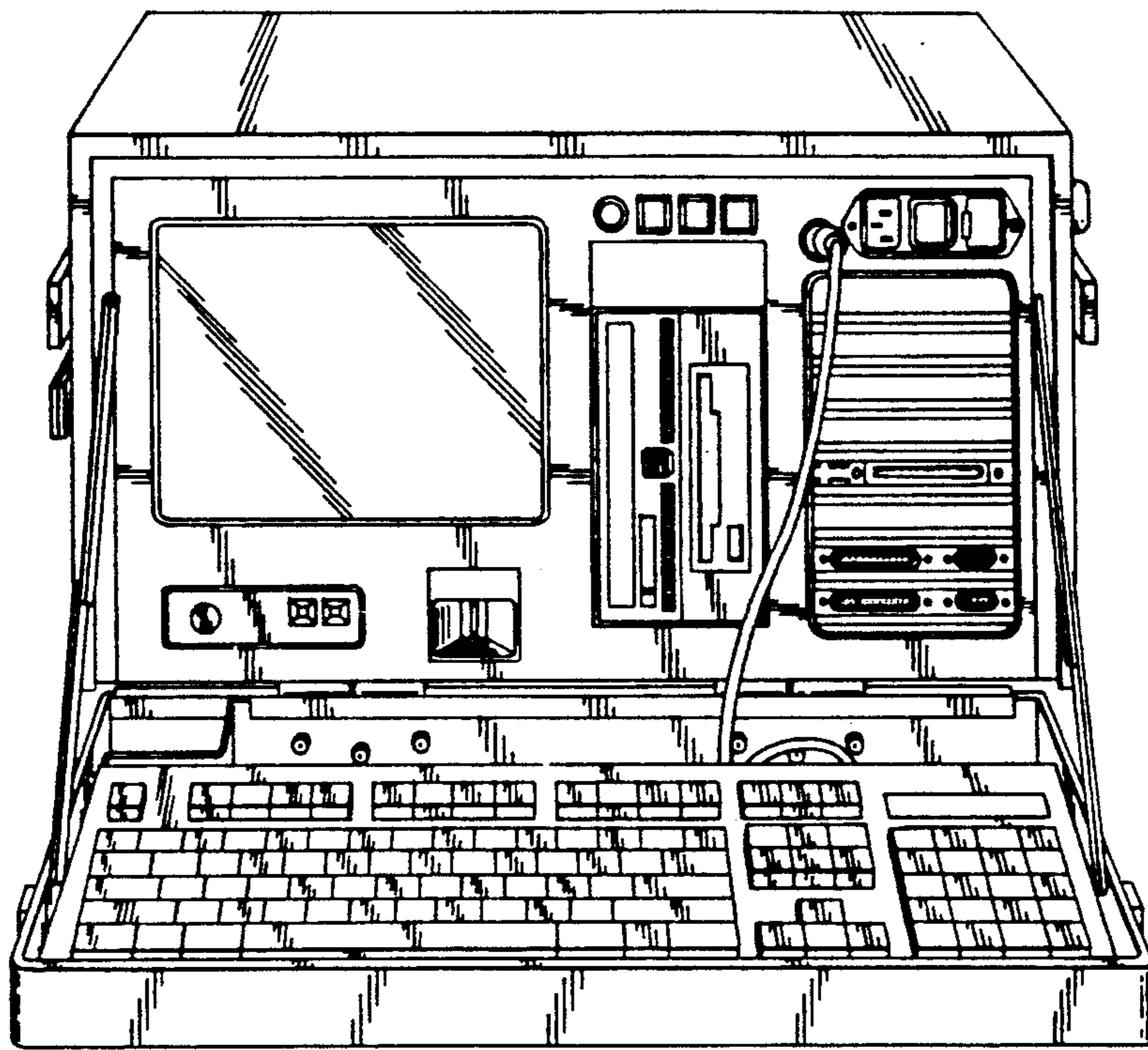


FIG. 1

FIG. 2

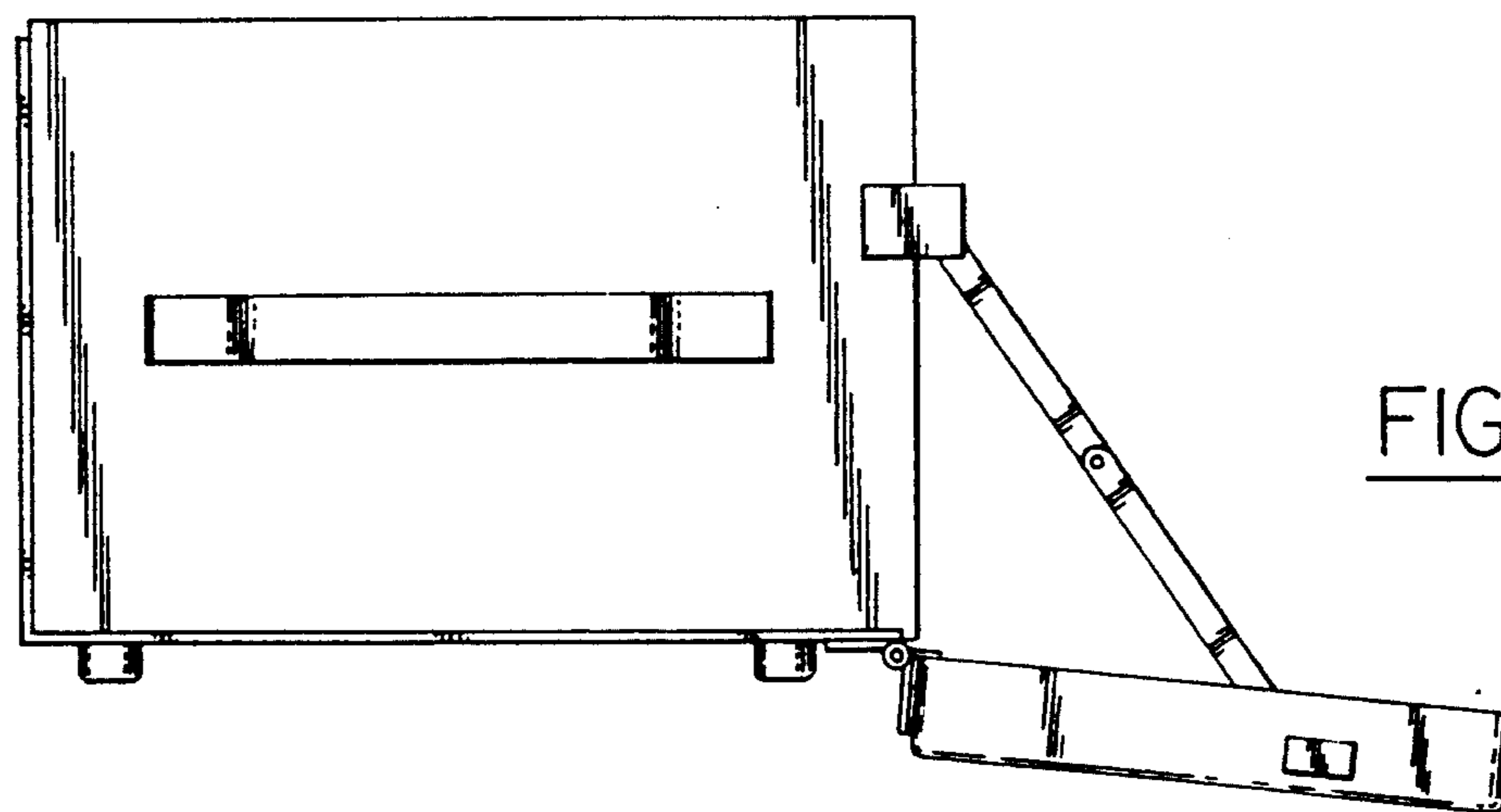
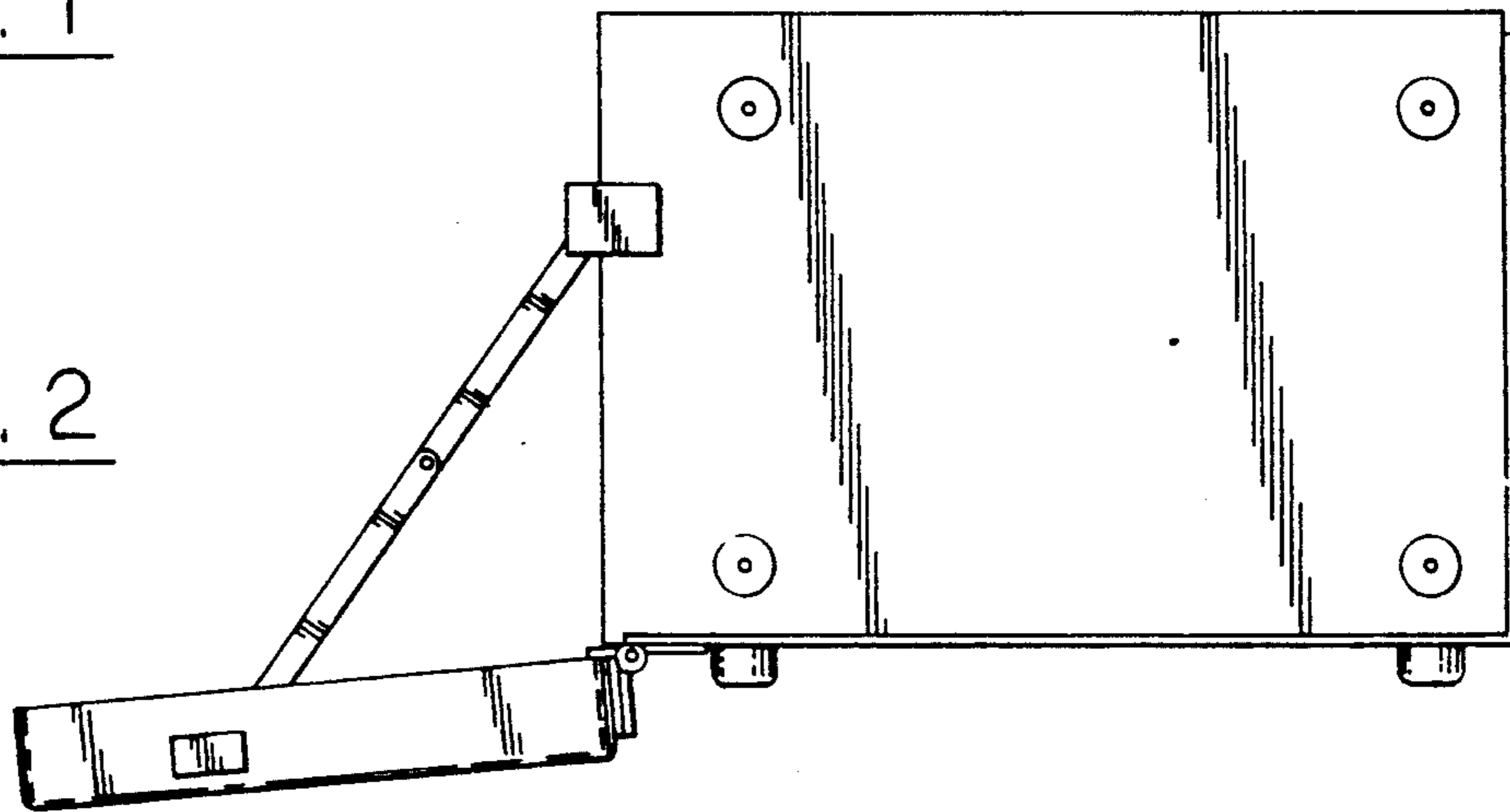


FIG. 3

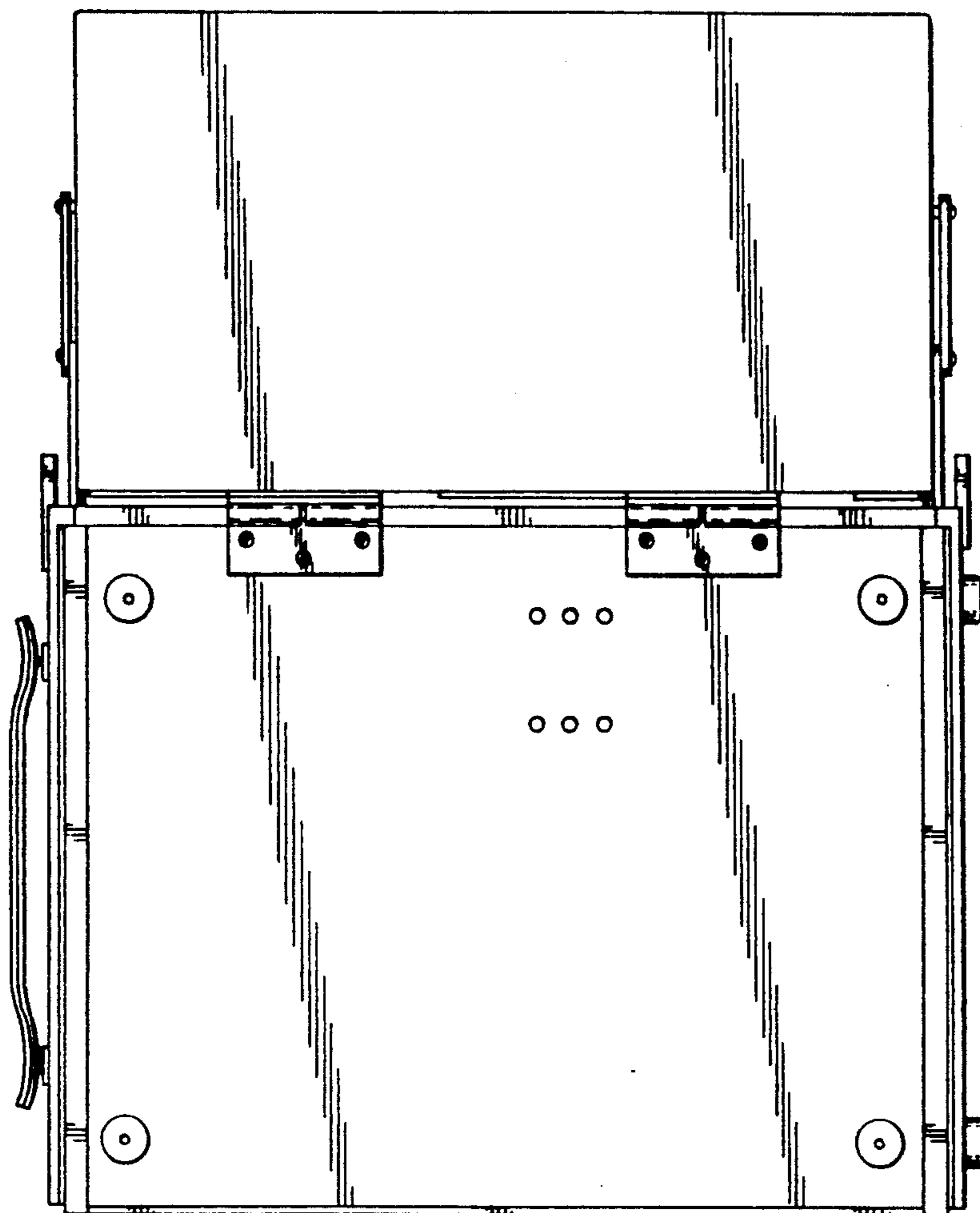


FIG. 4

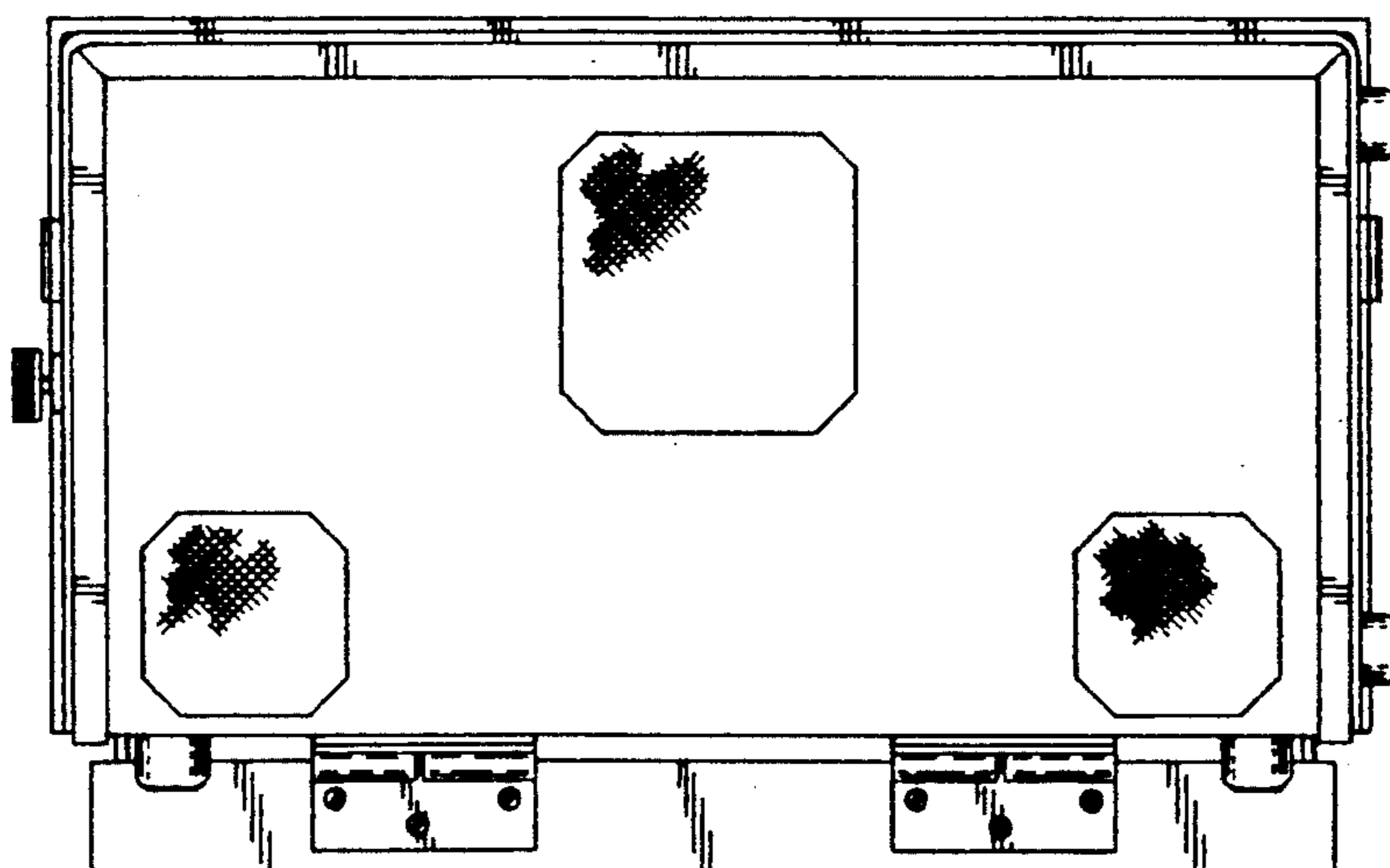


FIG. 5

FIG. 6

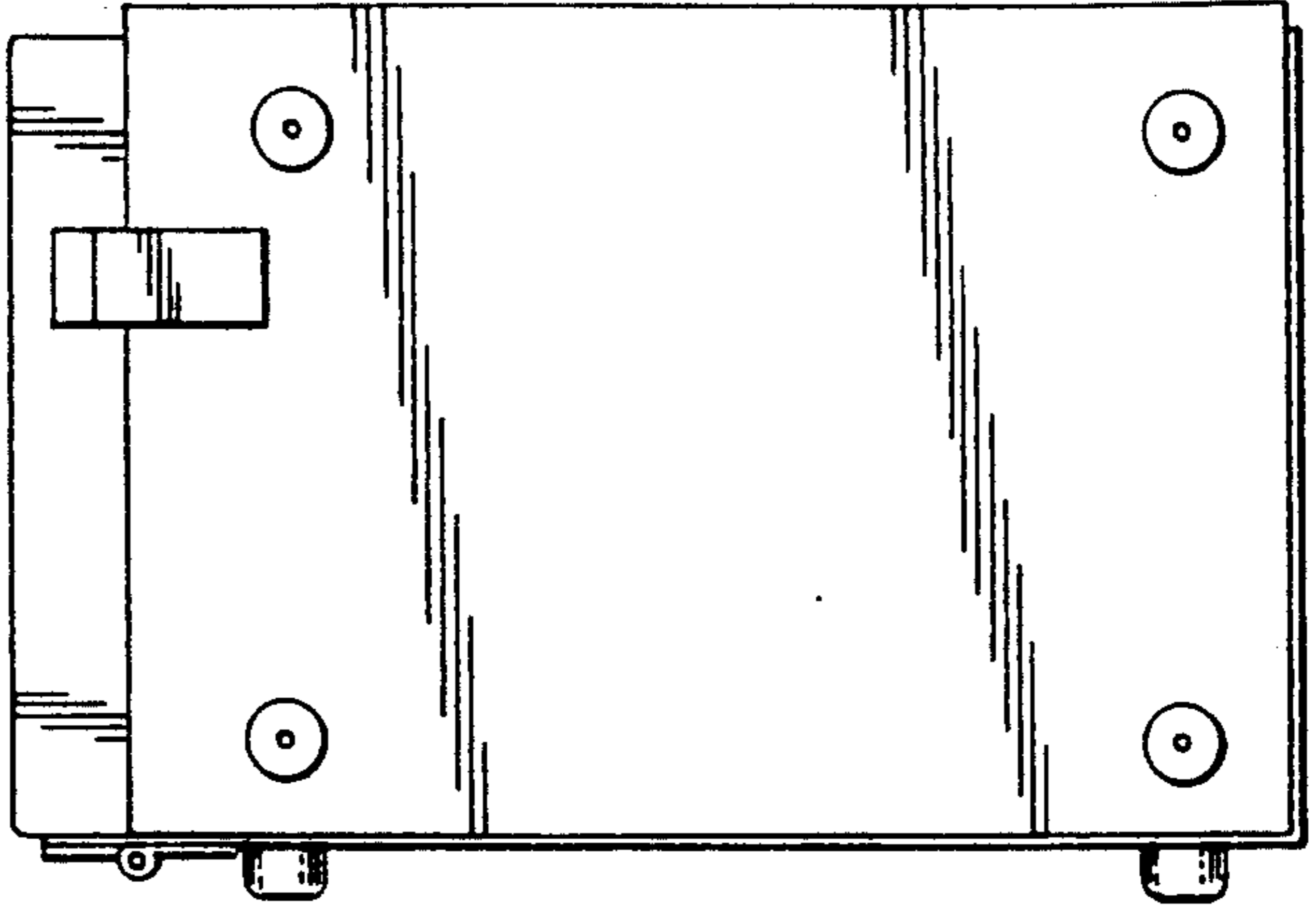


FIG. 7

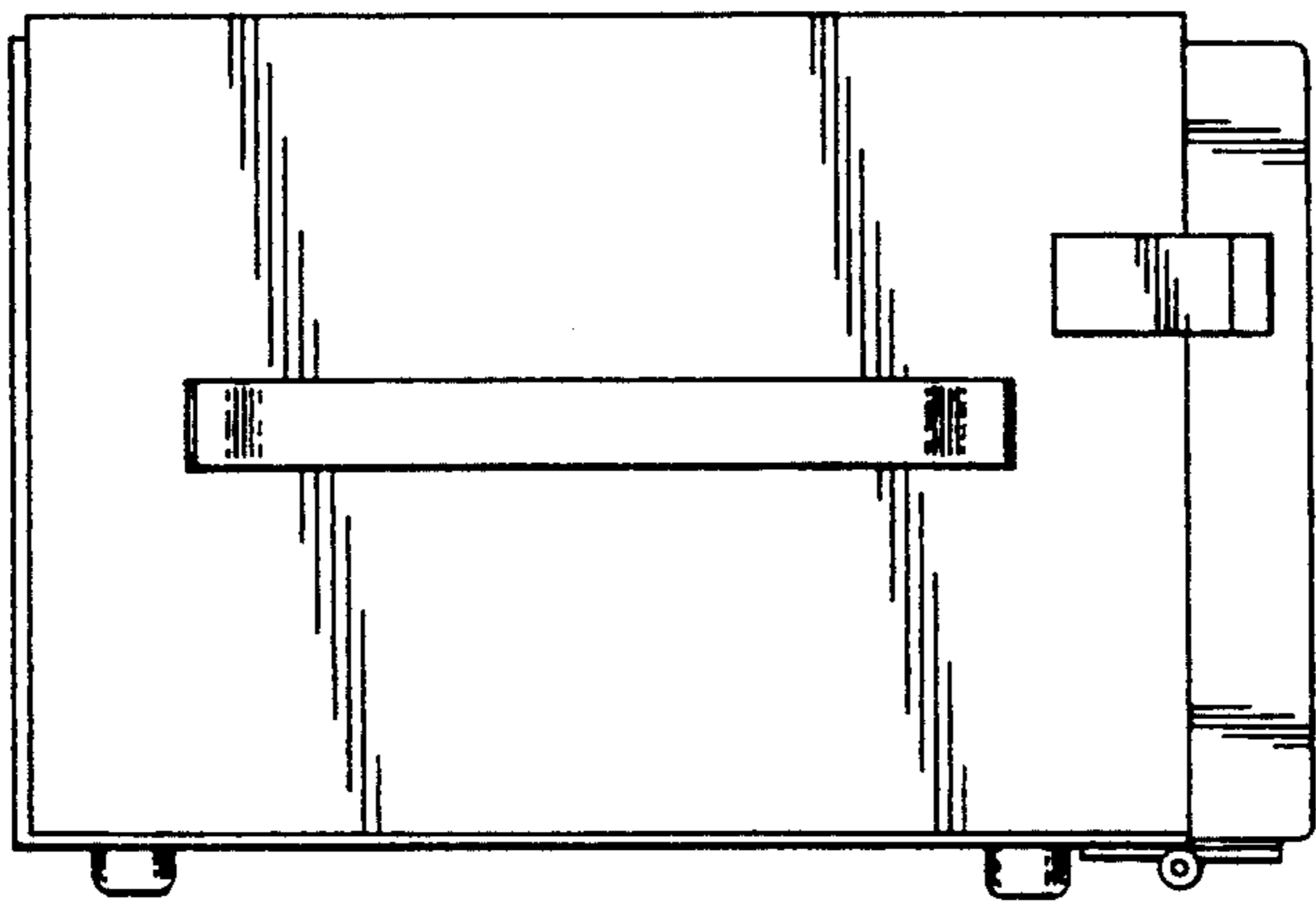
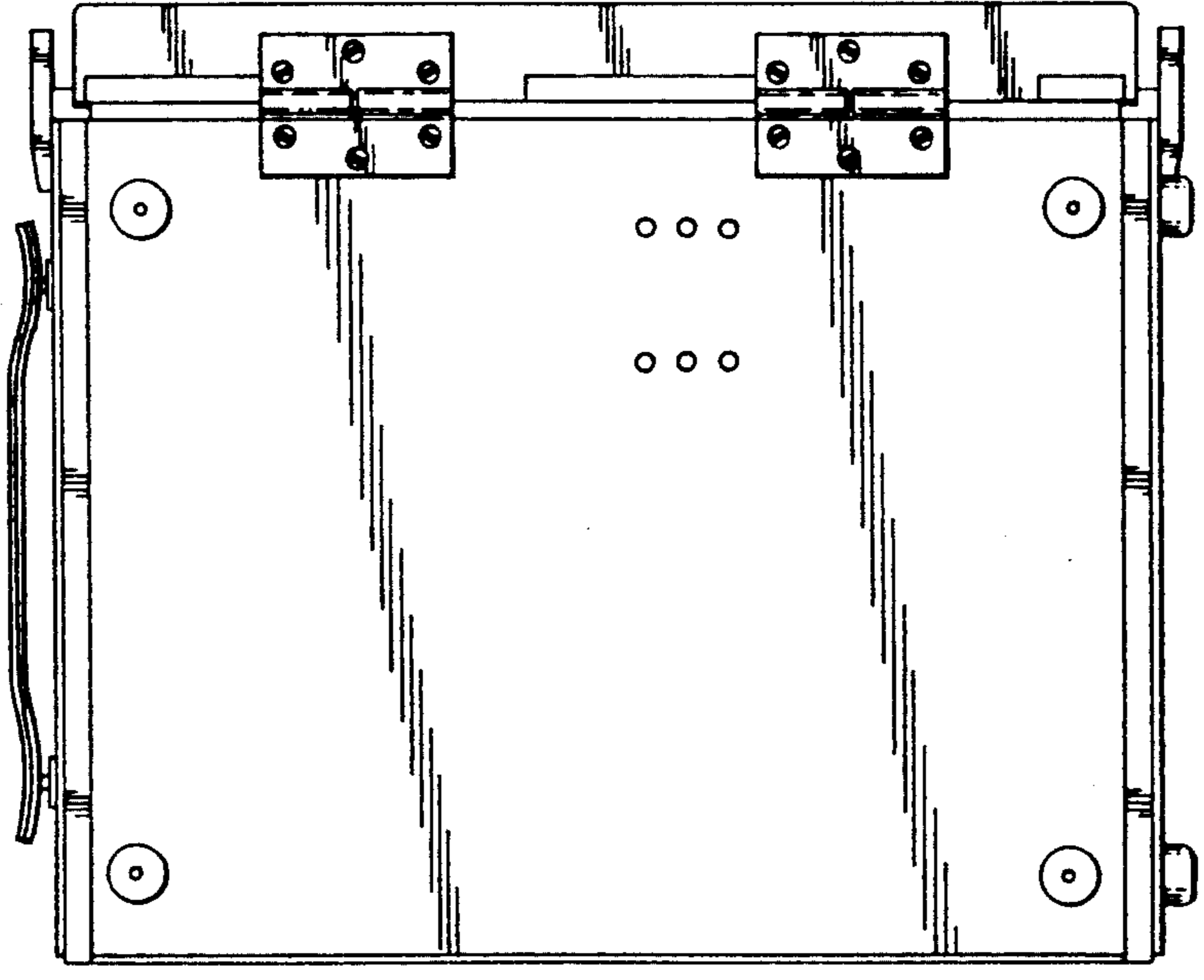


FIG. 8



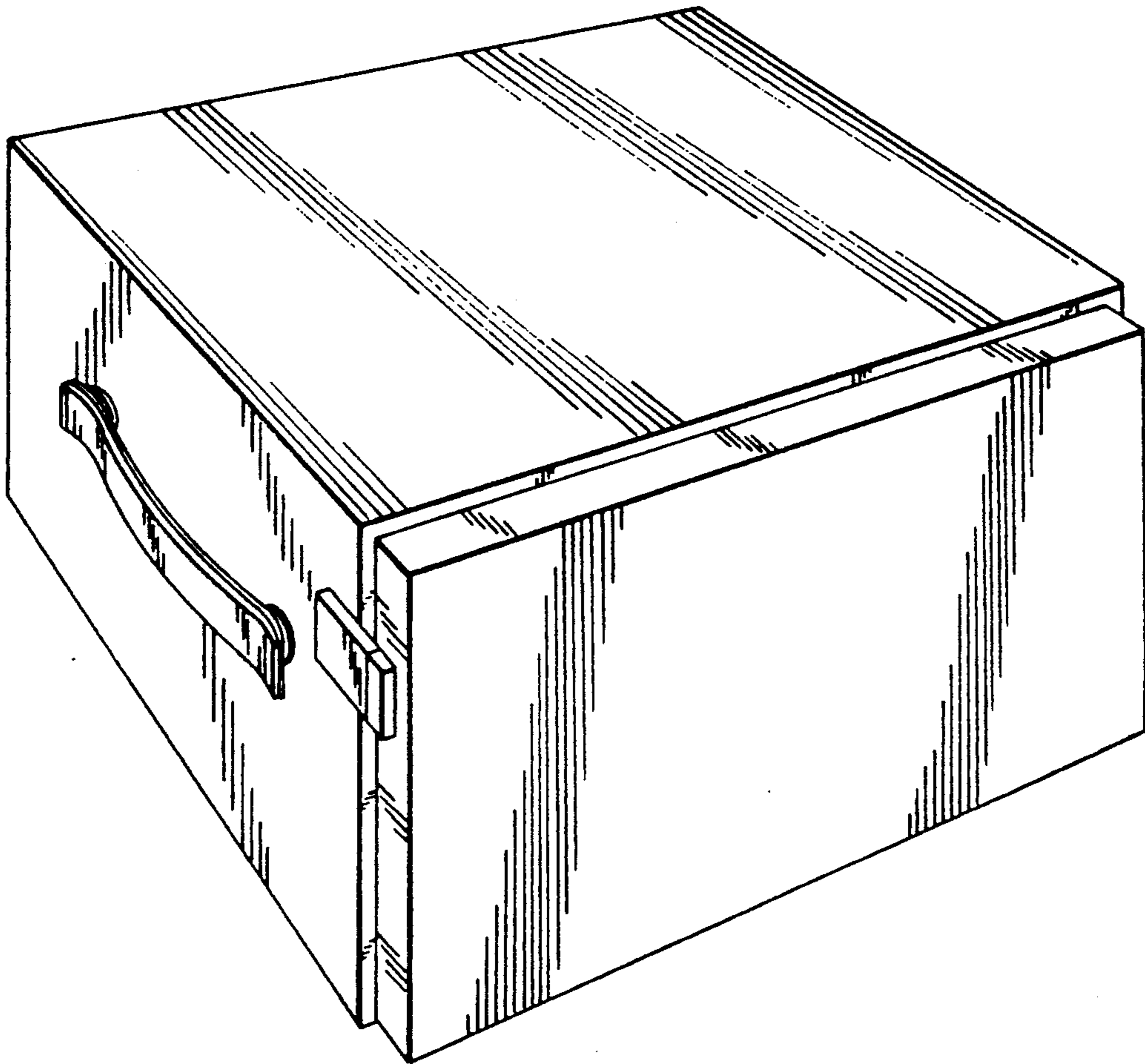


FIG. 9