



US00D340698S

United States Patent [19]

[11] Patent Number: Des. 340,698

Nystrom

[45] Date of Patent: ** Oct. 26, 1993

[54] LOAD CONTROL

4,054,932 10/1977 Sehmer et al. D10/160 X

[75] Inventor: Robert W. Nystrom, Oxford, Mass.

Primary Examiner—Wallace R. Burke

[73] Assignee: Load Controls, Incorporated,
Sturbridge, Mass.

Assistant Examiner—J. Sincavage

Attorney, Agent, or Firm—Fish & Richardson

[**] Term: 14 Years

[57] CLAIM

[21] Appl. No.: 738,490

The ornamental design for the load control invention as shown and described.

[22] Filed: Jul. 31, 1991

DESCRIPTION

[52] U.S. Cl. D13/162

[58] Field of Search D13/160, 162, 164;
D10/106; 361/170; 309/125, 130, 131, 140;
340/648, 815.14

FIG. 1 is a perspective view of the invention;

FIG. 2 is a front view thereof;

FIG. 3 is a rear view thereof;

FIG. 4 is a left side view thereof;

FIG. 5 is a right side view thereof;

FIG. 6 is a top view thereof;

FIG. 7 is a bottom view thereof; and,

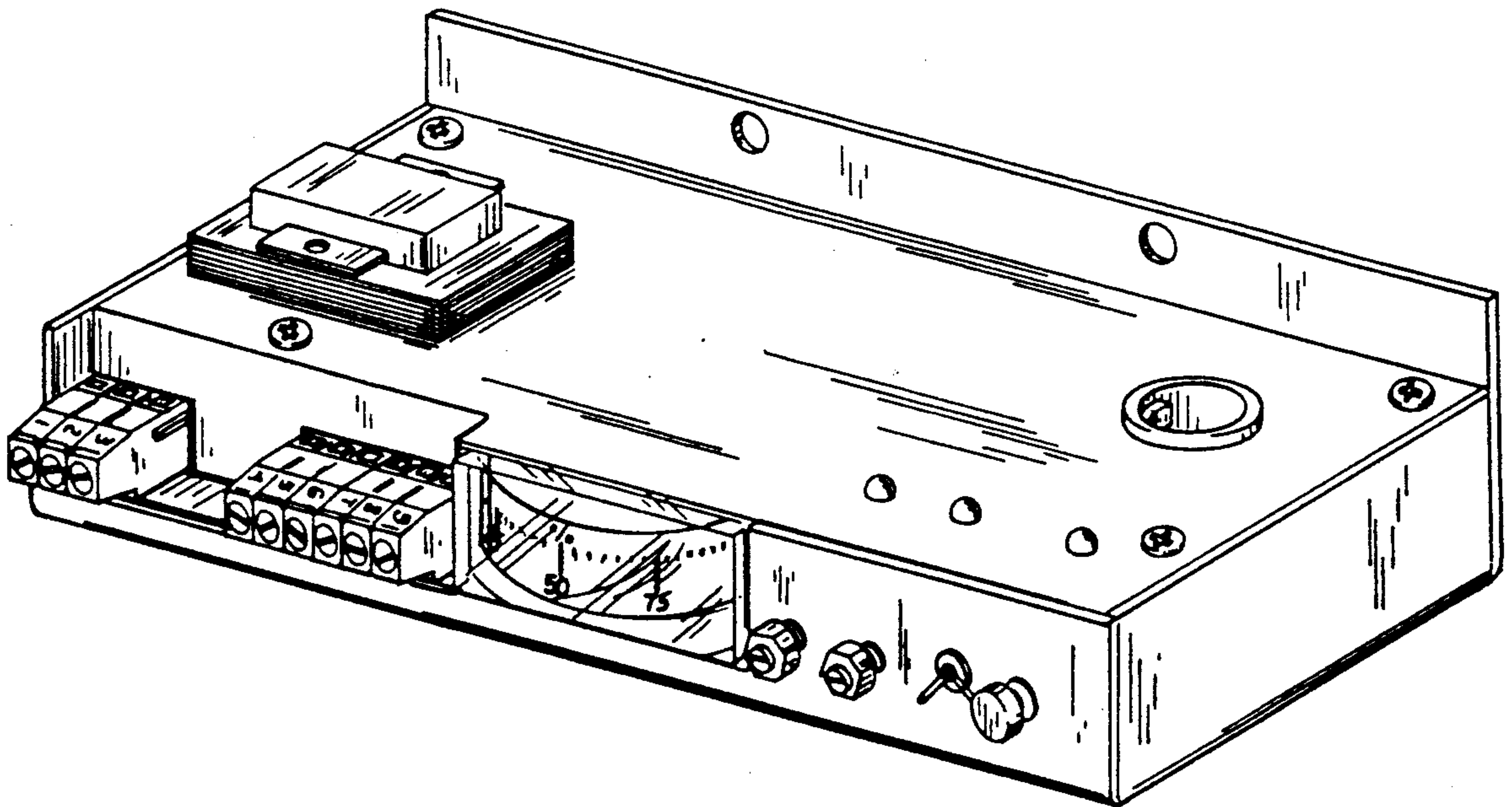
FIG. 8 is a front and lower left perspective view thereof.

[56] References Cited

U.S. PATENT DOCUMENTS

D. 249,248 9/1978 Gibbs D10/106

D. 281,401 11/1985 Perrins D10/106 X



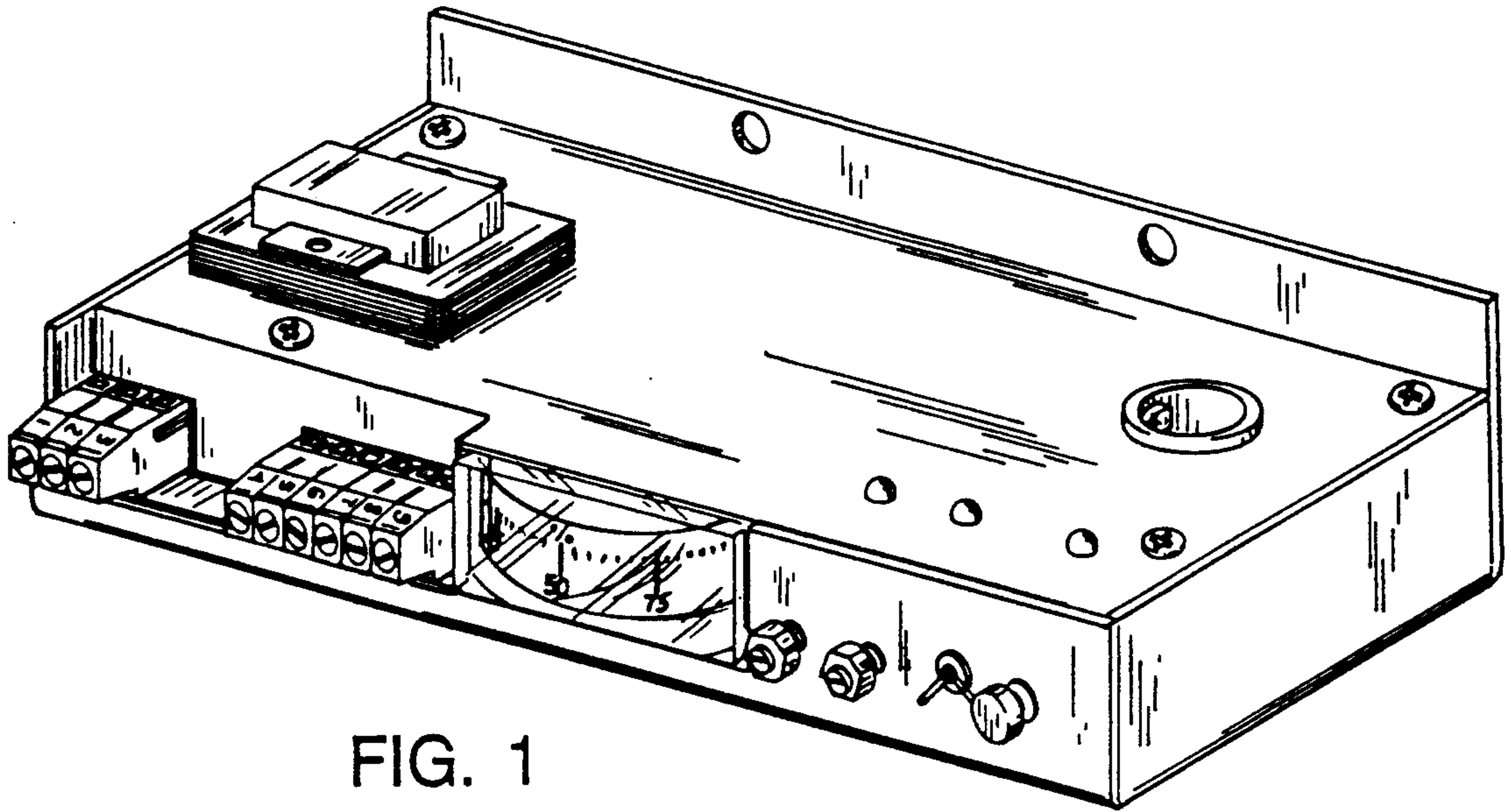


FIG. 1

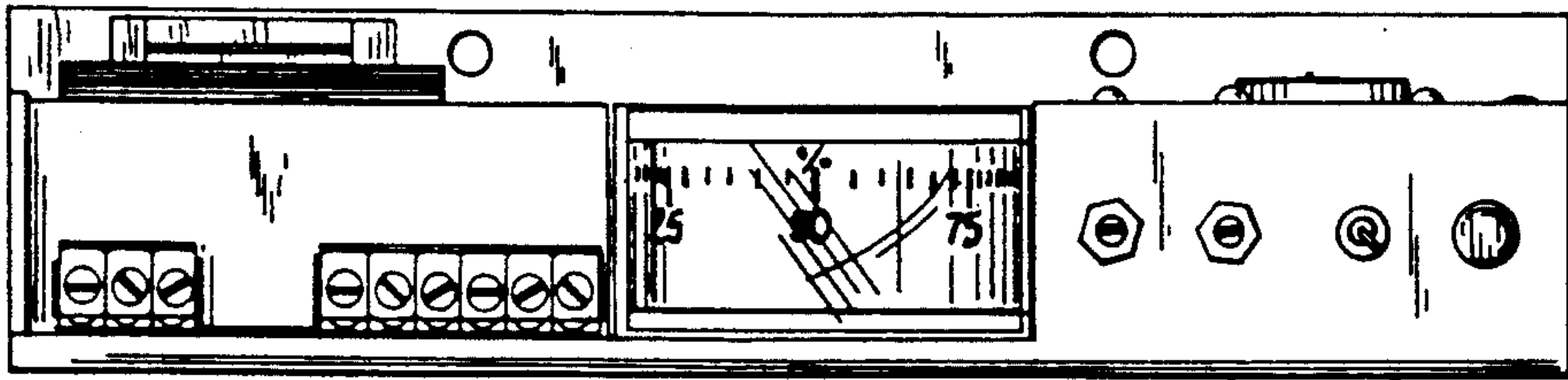


FIG. 2

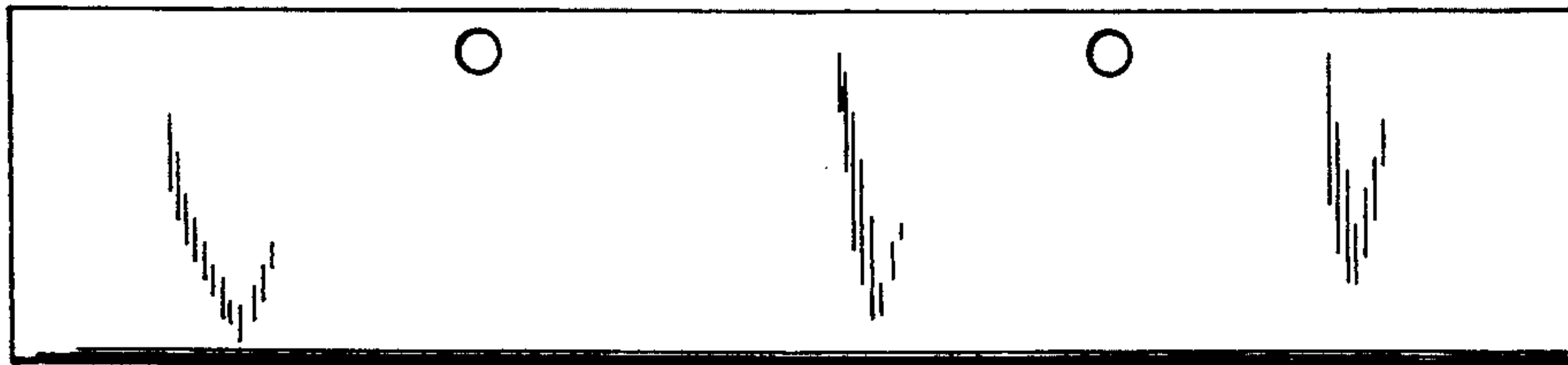


FIG. 3

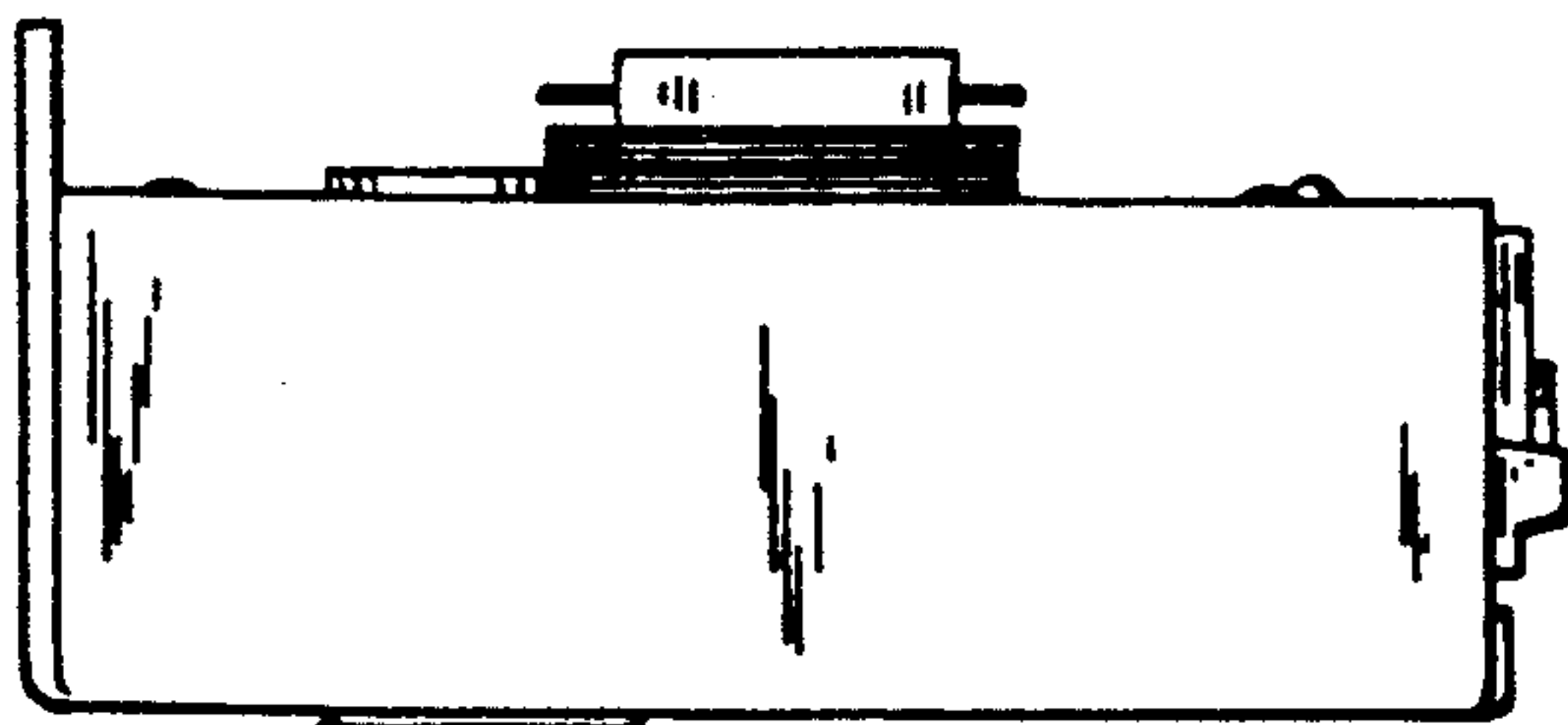


FIG. 4

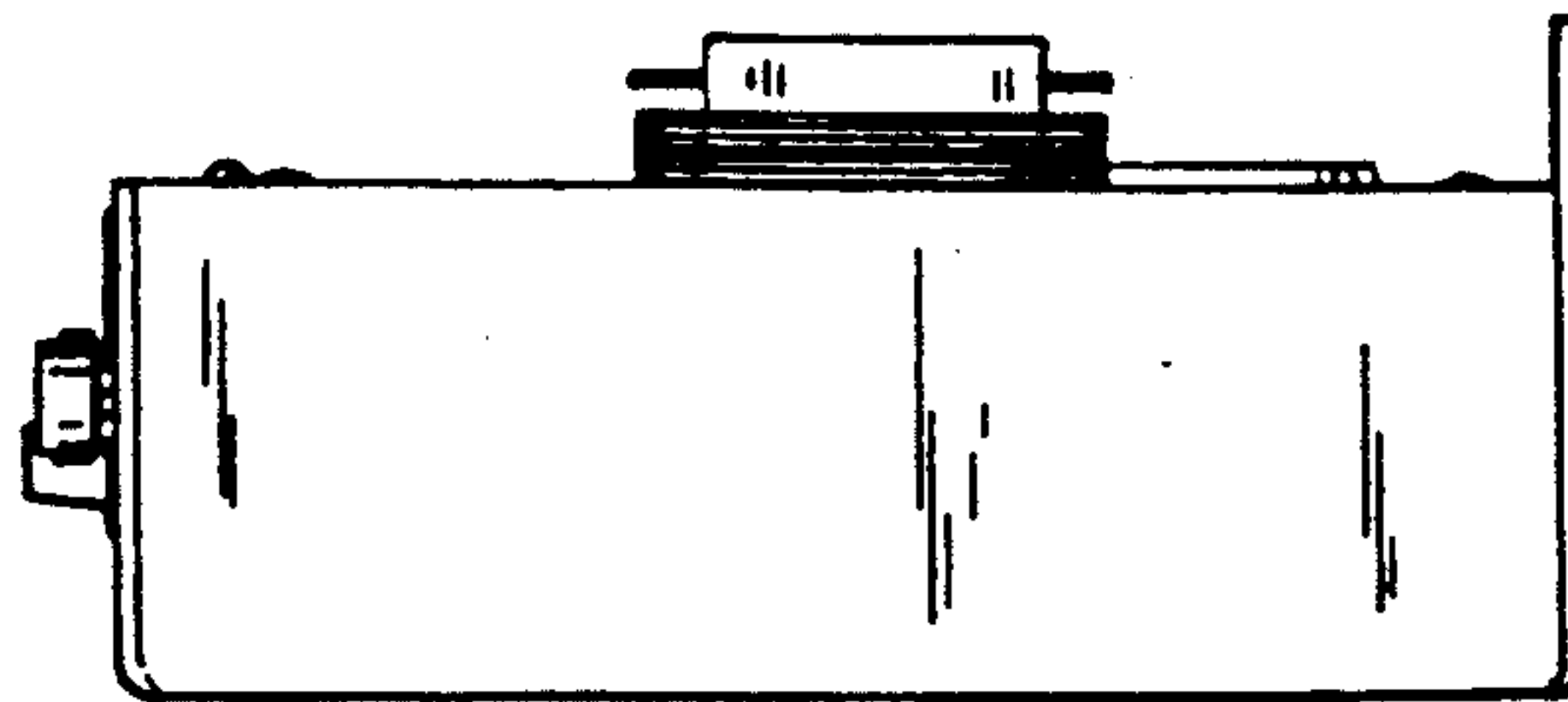


FIG. 5

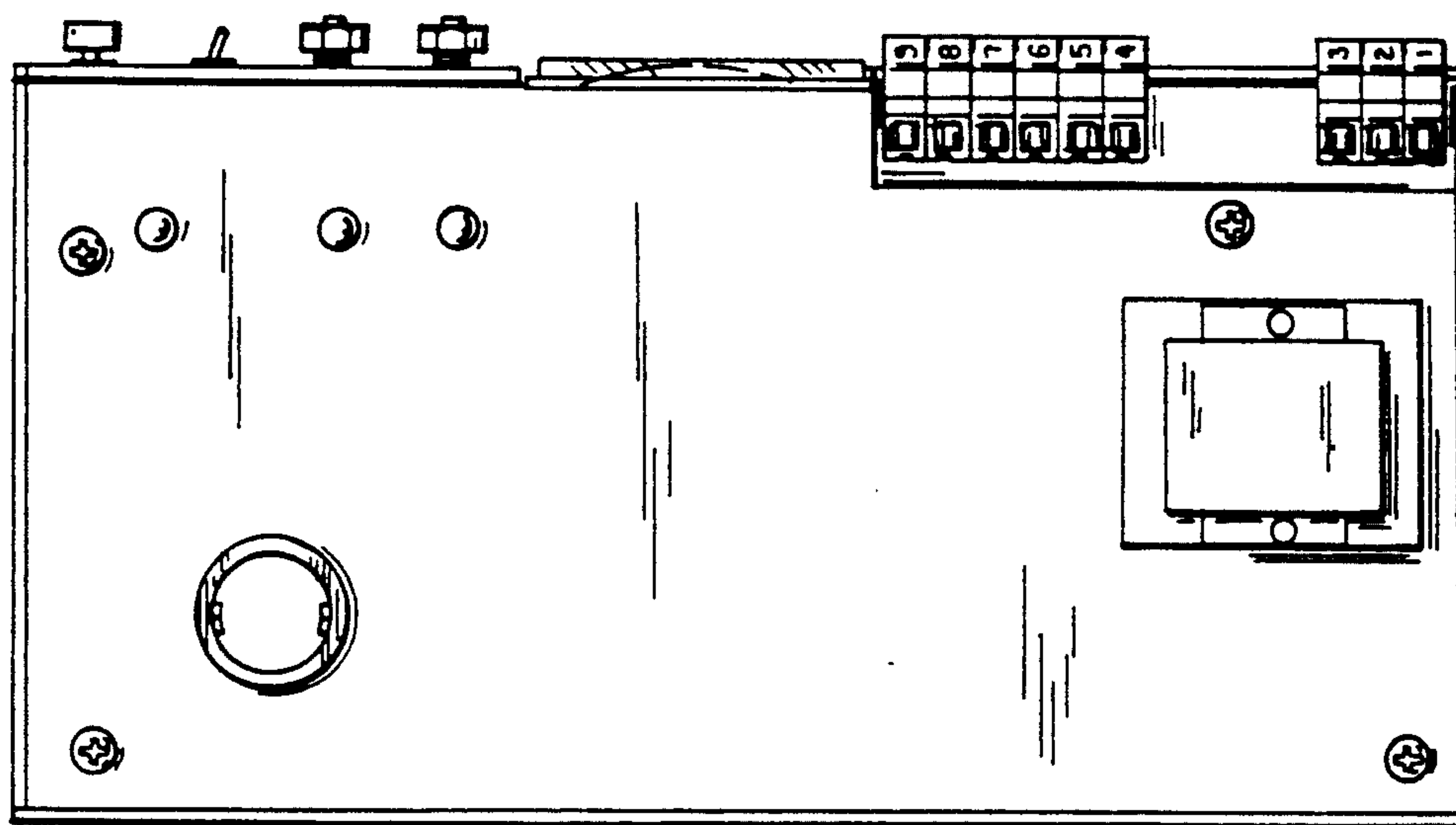


FIG. 6

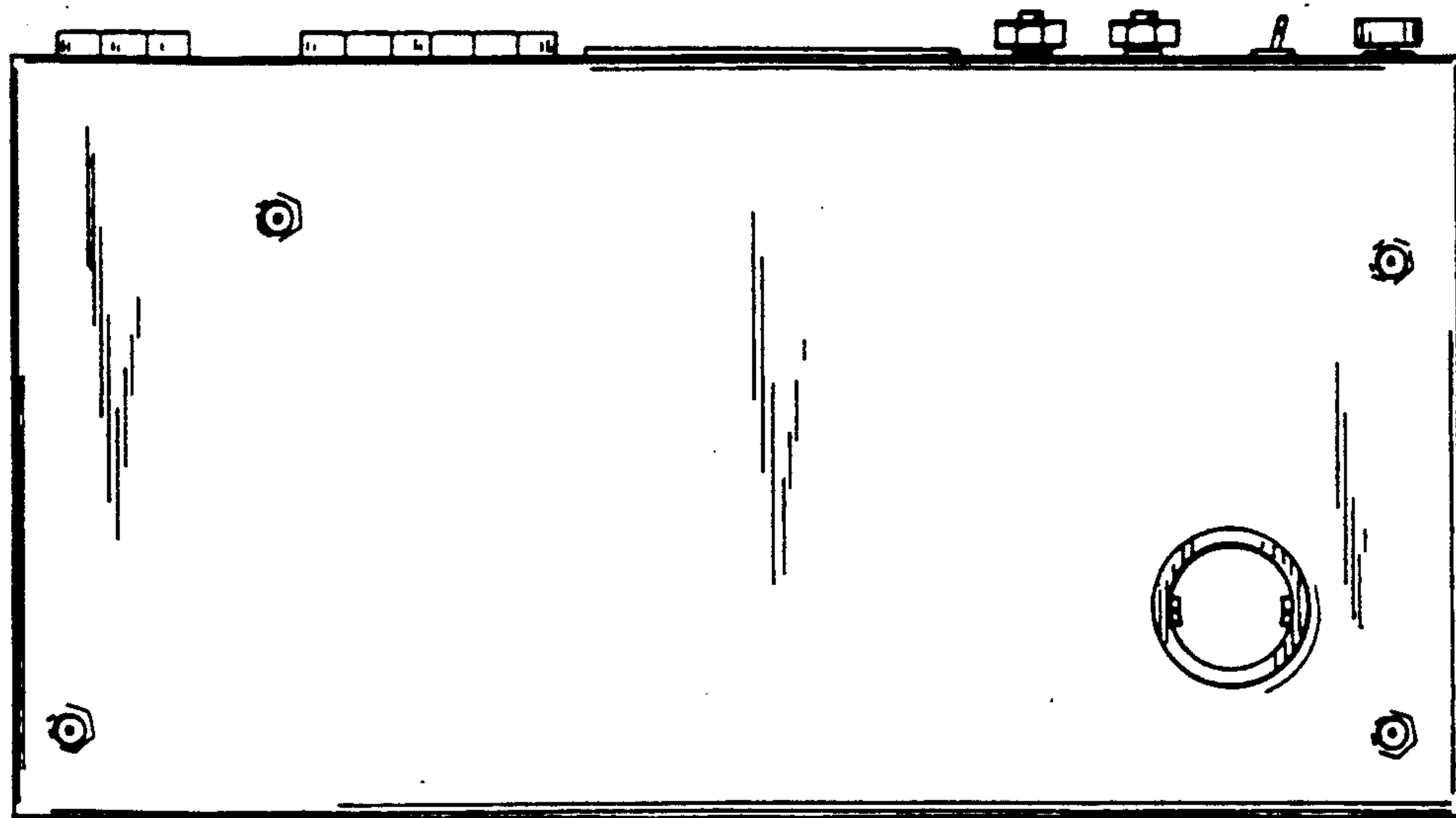


FIG. 7

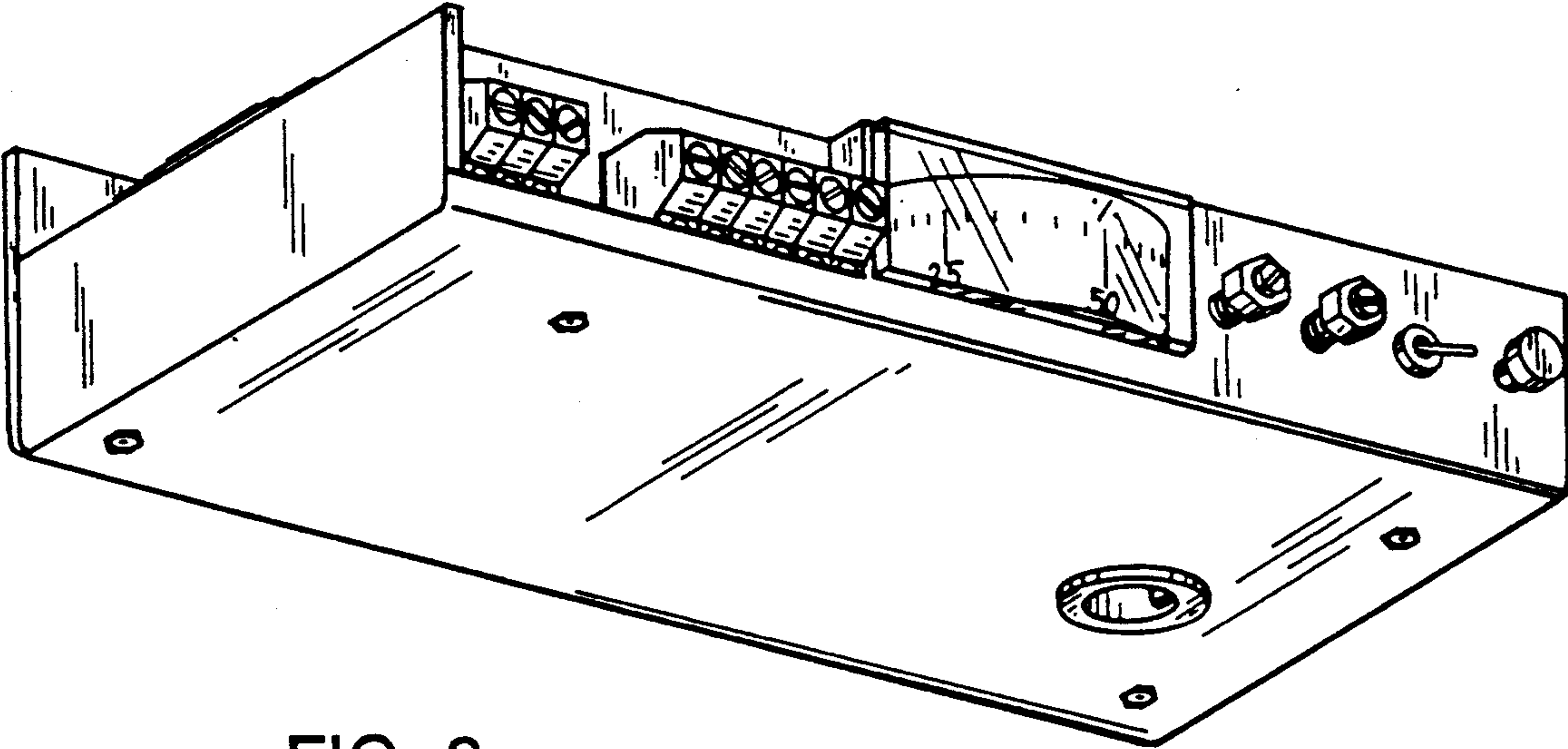


FIG. 8