



US00D340696S

# United States Patent [19]

[11] Patent Number: **Des. 340,696**

**Barrett**

[45] Date of Patent: **\*\* Oct. 26, 1993**

[54] **BALL-OPERATED CONTROL DEVICE FOR ELECTRONIC CIRCUITS**

### FOREIGN PATENT DOCUMENTS

0000261 of 1900 United Kingdom ..... 337/208

[75] Inventor: **John B. Barrett**, Paso Robles, Calif.

### OTHER PUBLICATIONS

[73] Assignee: **Appoint**, Paso Robles, Calif.

Trackball controls on p. 17 of *Measurement Systems, Inc.* catalog C584, Oct. 18, 1984.

[\*\*] Term: **14 Years**

Trackball controls on p. 18 of *Measurement Systems, Inc.* catalog C584, Oct. 18, 1984.

[21] Appl. No.: **792,059**

*Primary Examiner*—Wallace R. Burke  
*Assistant Examiner*—J. Sincavage  
*Attorney, Agent, or Firm*—Skjerven, Morrill, MacPherson, Franklin & Friel

[22] Filed: **Nov. 13, 1991**

[52] U.S. Cl. .... **D13/158; D14/107**

[57] **CLAIM**

[58] Field of Search ..... **D13/158; D14/107, 114; D21/141.1; 200/DIG. 29; 370/709, 710; 250/221**

The ornamental design for a ball-operated control device for electronic circuits, as shown and described.

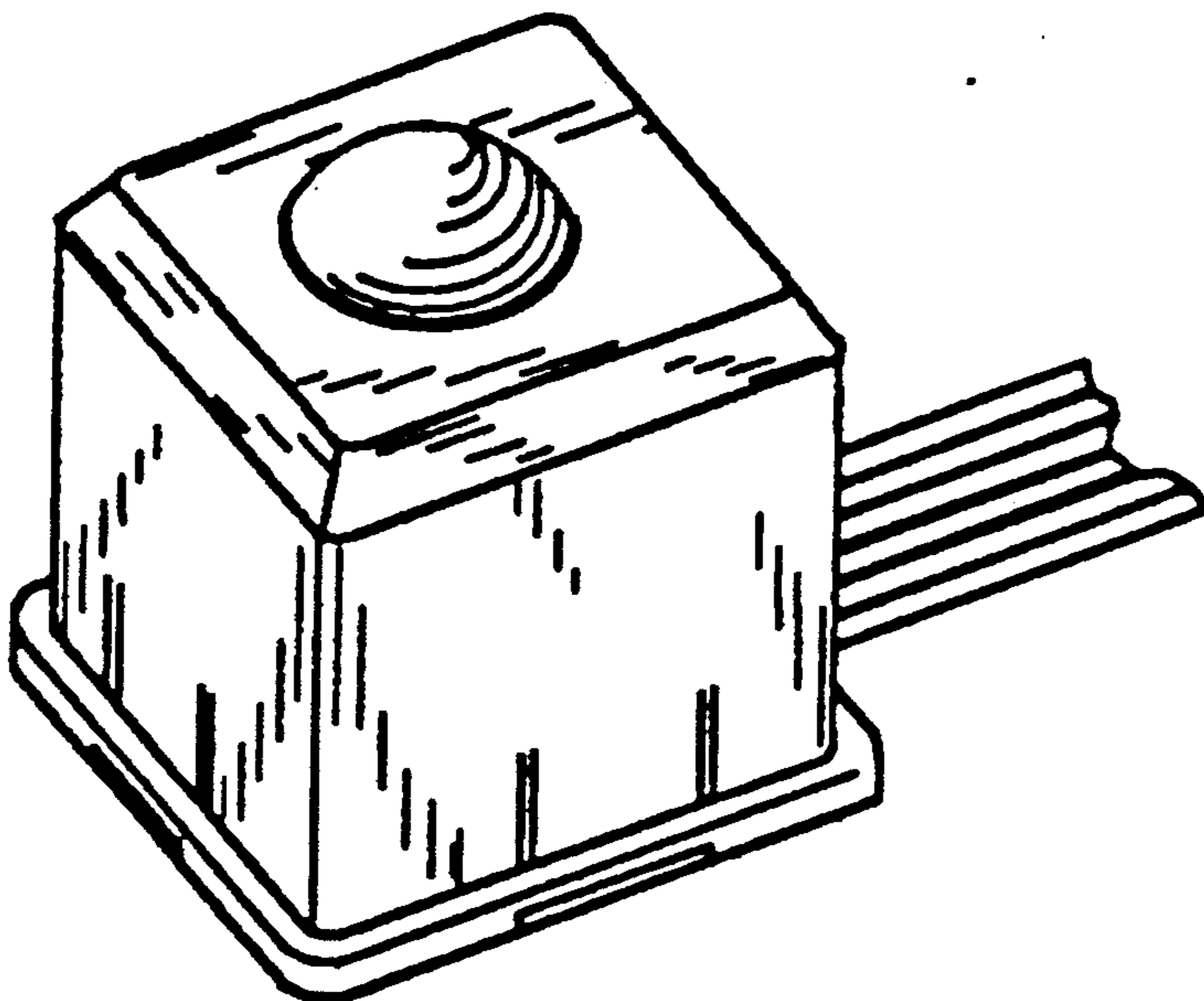
### DESCRIPTION

[56] **References Cited**

#### U.S. PATENT DOCUMENTS

D. 272,921	3/1984	Kim	.....	D14/114 X
1,249,068	12/1917	Gramm	.....	200/DIG. 29
3,643,148	2/1972	Brown et al.	.....	340/710 X
5,078,019	1/1992	Aoki	.....	340/710 X

FIG. 1 is a perspective view of a ball-operated control device for electronic circuits showing my new design; FIG. 2 is a top plan view of the device; FIG. 3 is a bottom plan view of the device; FIG. 4 is a side elevational view of the device; FIG. 5 is a front elevational view of the device; and, FIG. 6 is a rear elevational view of the device.



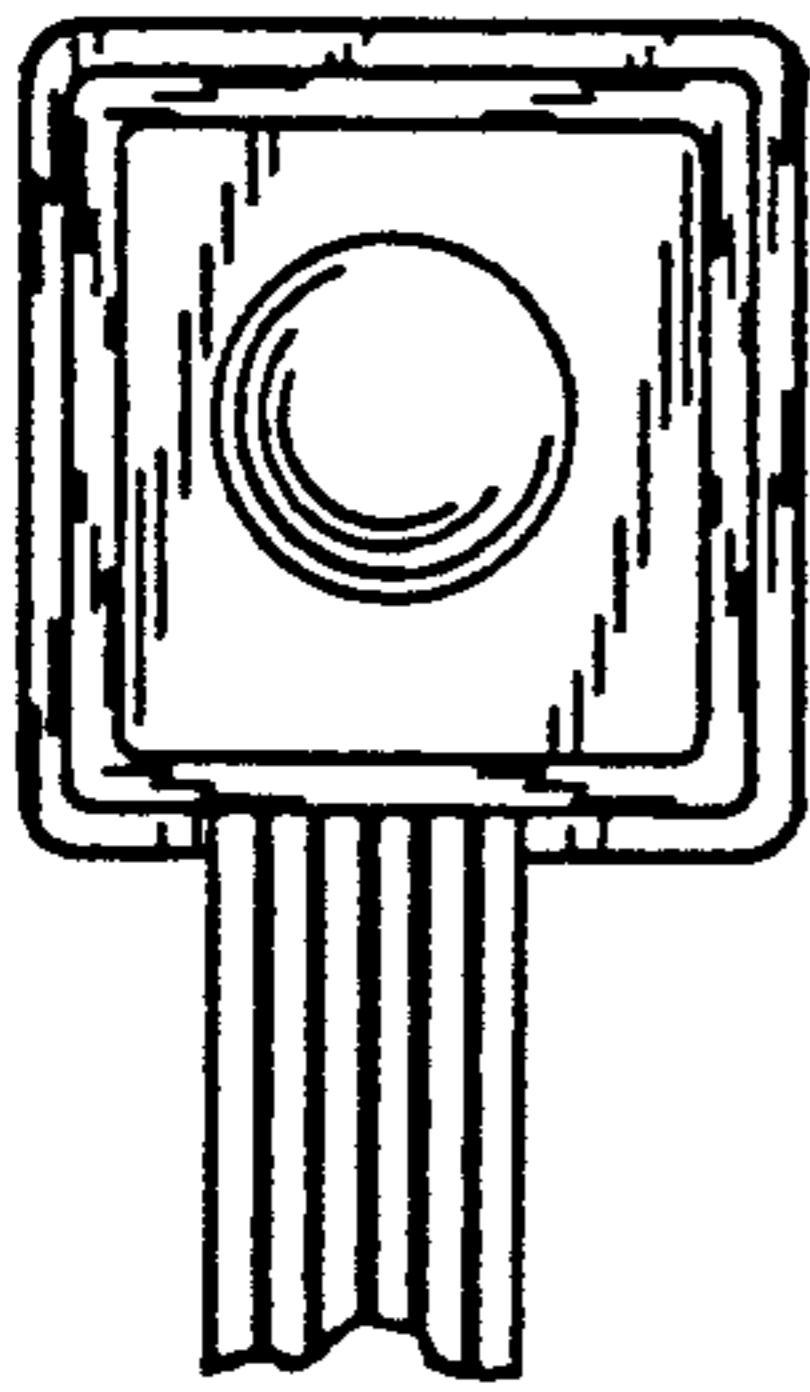


Fig. 2

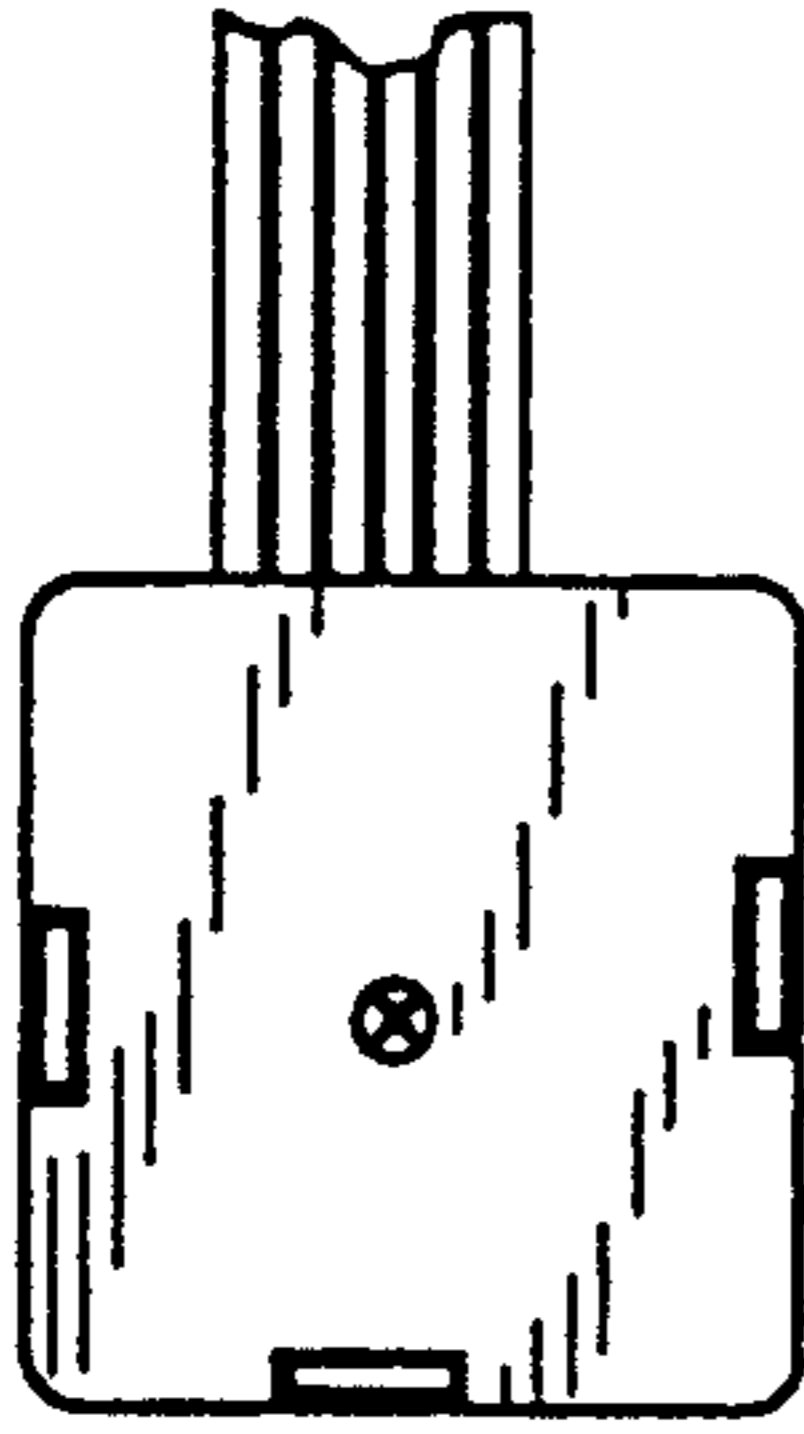


Fig. 3

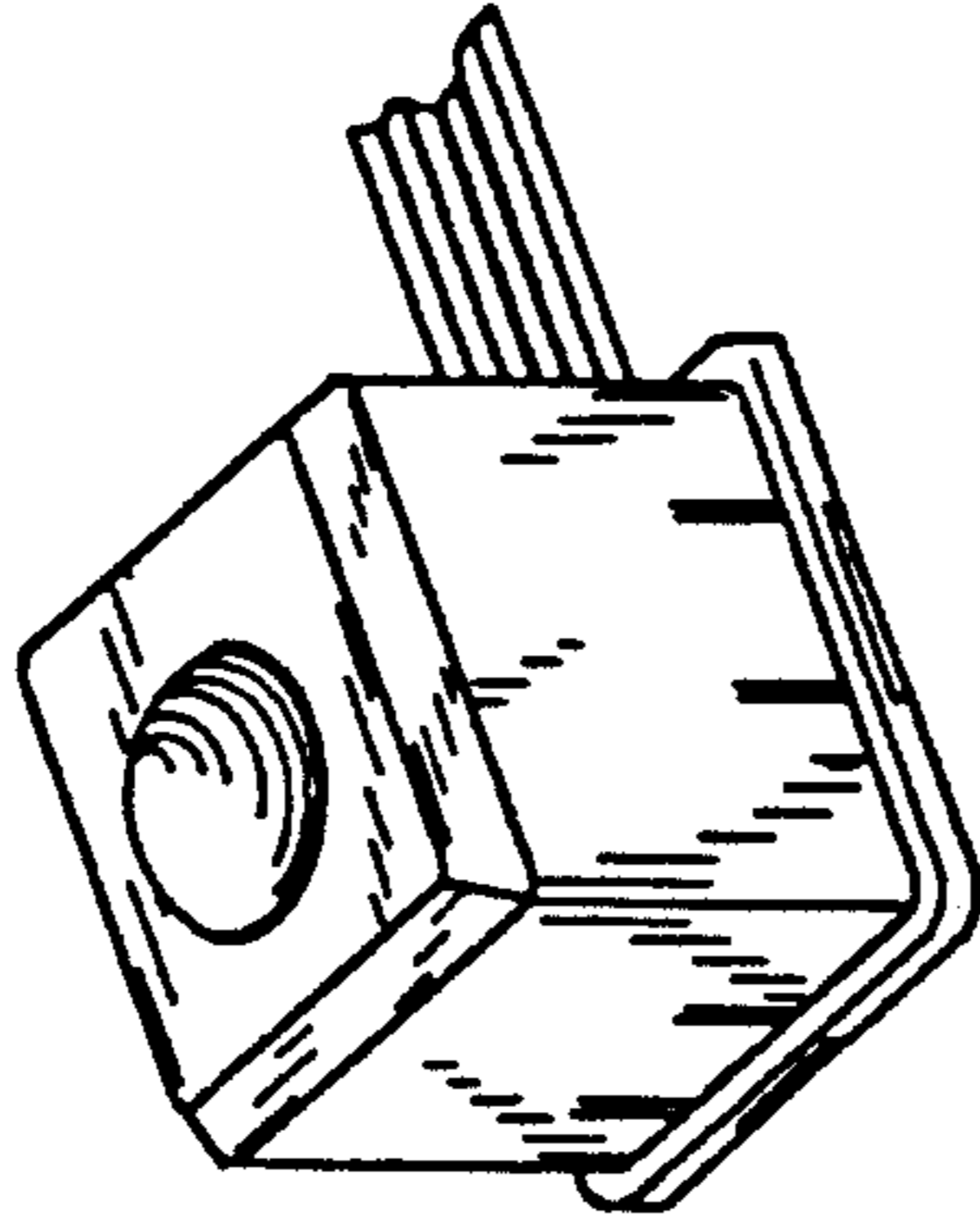


Fig. 1

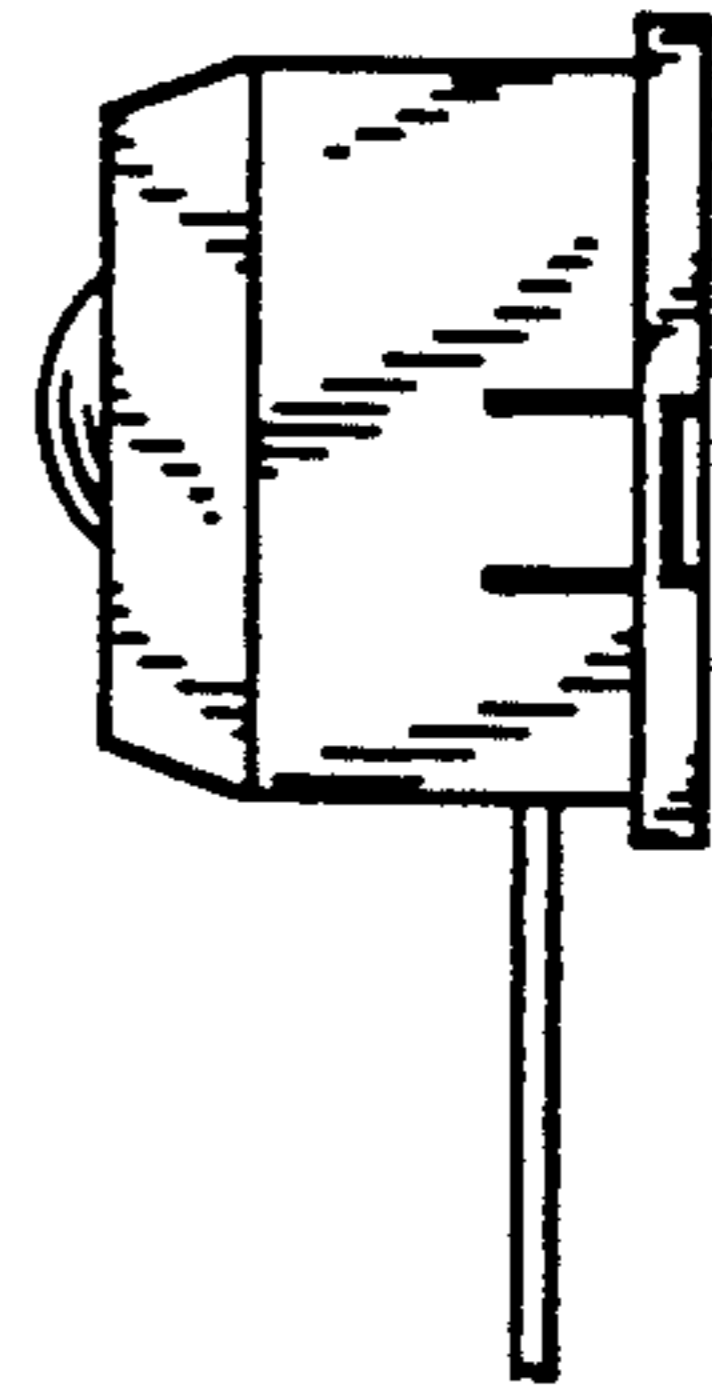


Fig. 4

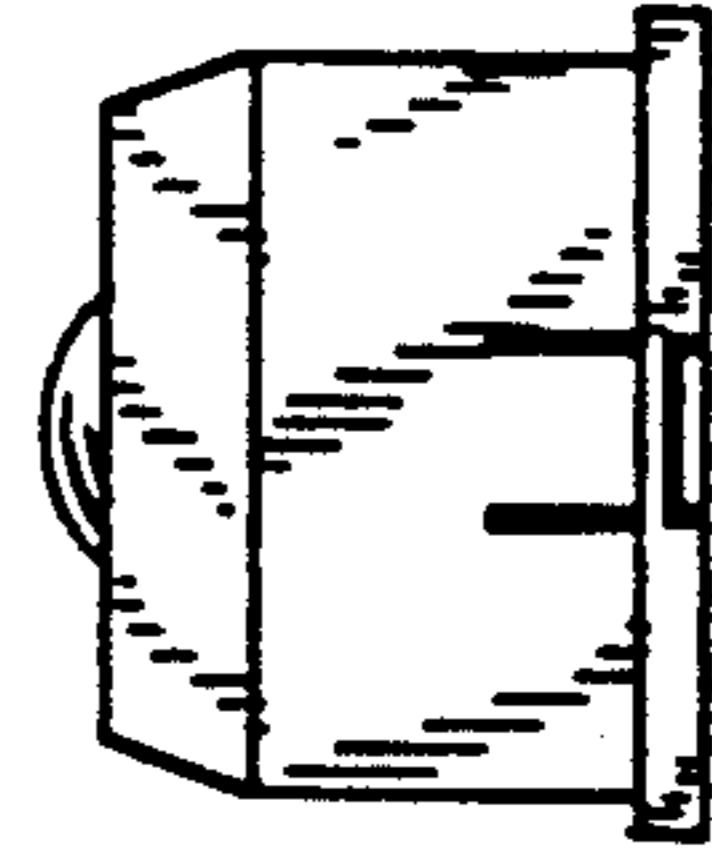


Fig. 5

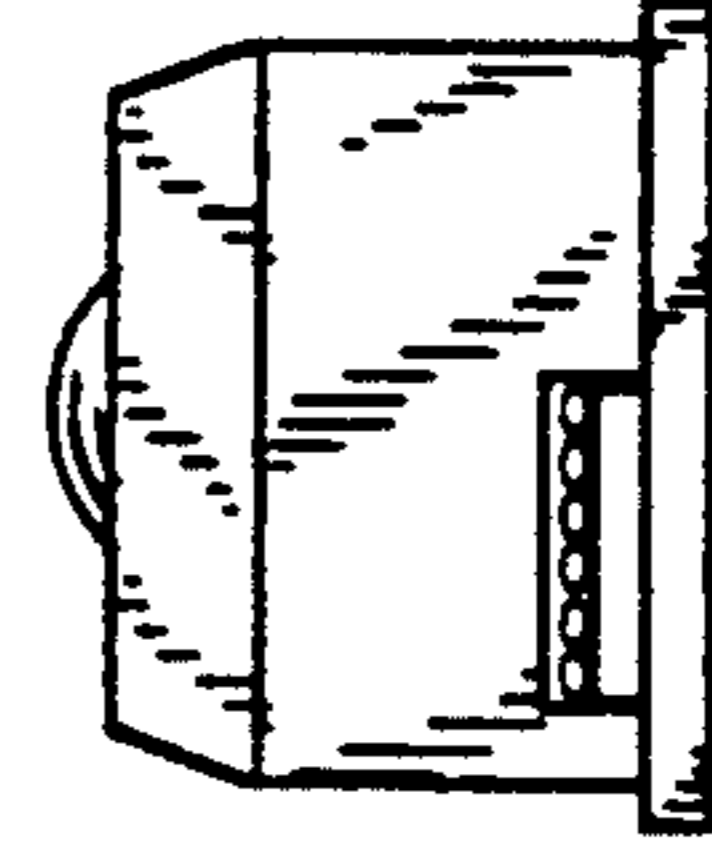


Fig. 6