



US00D340693S

United States Patent [19]

[11] Patent Number: **Des. 340,693**

Brownlie et al.

[45] Date of Patent: **** Oct. 26, 1993**

- [54] **ENCLOSURE FOR TELEPHONE CABLE ELECTRICAL CONNECTORS**
- [75] Inventors: **Alan W. Brownlie, Skaneateles, N.Y.; Scott A. Keener, Harrisburg, Pa.**
- [73] Assignee: **AMP Incorporated, Harrisburg, Pa.**
- [**] Term: **14 Years**
- [21] Appl. No.: **710,310**
- [22] Filed: **May 31, 1991**
- [52] U.S. Cl. **D13/184; D13/152**
- [58] Field of Search **D13/152, 160, 162, 184; D14/240, 256; 361/356, 395; 174/50, 59, 65 R; 439/521, 535; 220/3.2, 3.8; 379/399, 412, 428, 437, 442**

4,985,962 1/1991 Weber 16/232

FOREIGN PATENT DOCUMENTS

1193129 5/1965 Fed. Rep. of Germany 220/3.8

OTHER PUBLICATIONS

AMP Instruction Sheet IS 3217, "AMP Quiet Front Cross-Connect Terminal Closure 769147-1", Feb. 1991, AMP Inc., Hbg, Pa.
 Keptel Brochure, "Keptel 1642 Protector/Terminal Closure", Nov. 1988, Keptel Inc., Tinton Falls, N.J.
 Two photographs of Enclosure for Cross Connect Terminal DTerminator XB2, Raychem Corporation, Menlo Park, Calif.
 AT&T Catalog, "Outside Plant Systems", pp. ii, iii, 5-3, 5-4; Feb. 1987, AT&T Western Electric, Morristown, N.J.

[56] **References Cited**
U.S. PATENT DOCUMENTS

D. 282,654	2/1986	Perry et al.	D14/240
4,303,296	12/1981	Spaulding	339/122 R
4,488,008	12/1984	Dellinger et al.	179/81 R
4,560,839	12/1985	Dillard	179/81 C
4,623,753	11/1986	Feldman et al.	220/3.8 X
4,624,514	11/1986	Smith	379/412
4,644,095	2/1987	Bright et al.	174/50
4,658,422	4/1987	Sparks	379/442
4,694,118	9/1987	Schmidt	174/41
4,700,384	10/1987	Meyer	379/438
4,729,059	3/1988	Wang	361/356
4,731,501	3/1988	Clark et al.	174/65 R
4,741,032	4/1988	Hampton	379/399
4,742,541	5/1988	Cwirzen et al.	379/412
4,749,359	6/1988	White	439/133
4,782,427	11/1988	Marks	361/426
4,800,588	1/1989	Poster, Jr.	379/412
4,811,168	3/1989	Chestnut et al.	361/395 X
4,890,318	12/1989	Crane et al.	379/399
4,910,770	3/1990	Collins et al.	379/399

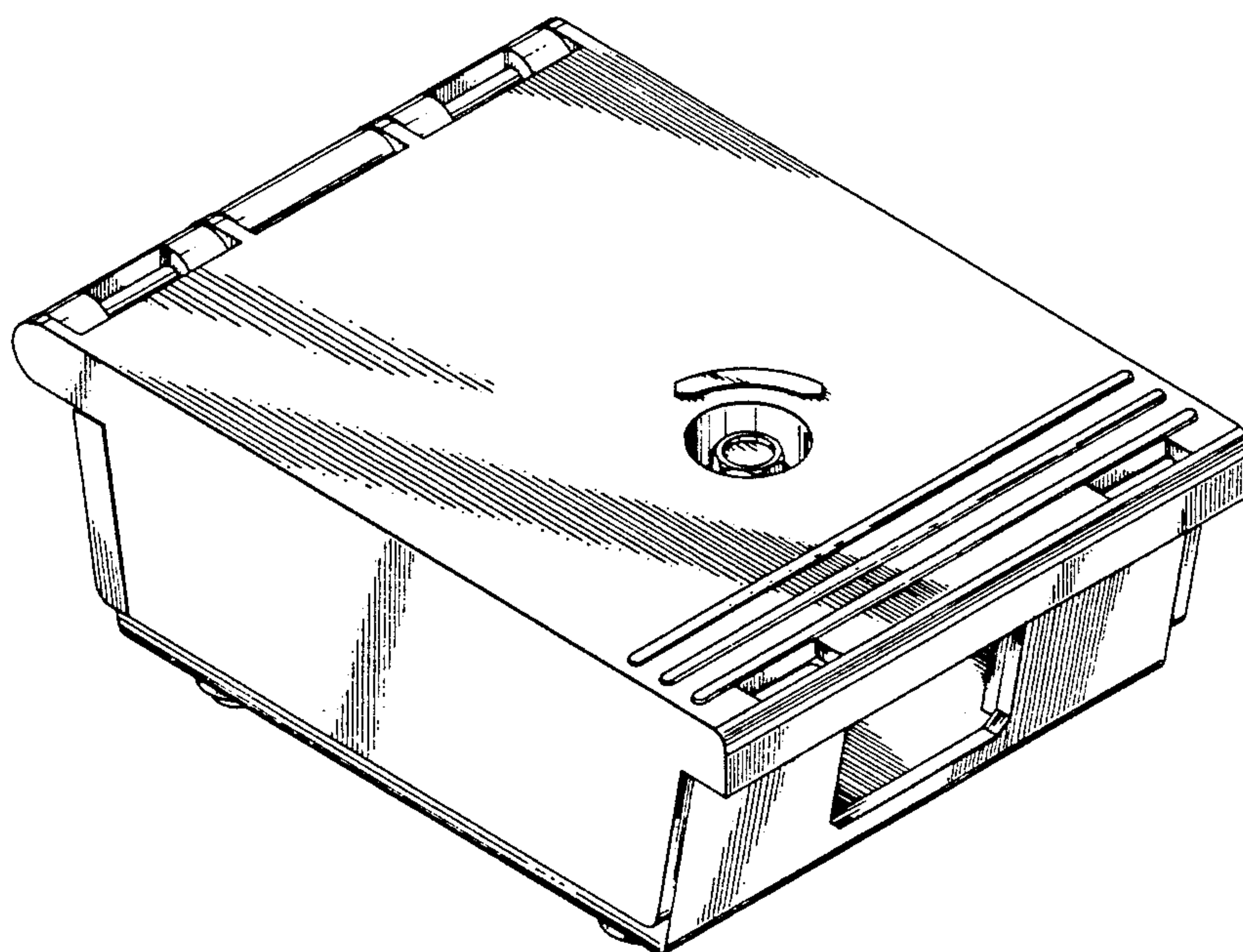
Primary Examiner—Wallace R. Burke
Assistant Examiner—Joel Sincavage
Attorney, Agent, or Firm—Anton P. Ness

[57] CLAIM

The ornamental design for enclosure for telephone cable electrical connectors, as shown and described.

DESCRIPTION

FIG. 1 is a front perspective view of the enclosure for telephone cable electrical connectors showing our new design;
 FIG. 2 is a top plan view of the enclosure for telephone cable electrical connectors shown on a reduced scale;
 FIG. 3 is a front elevational view thereof;
 FIG. 4 is a left side elevational view thereof, the right side elevational view thereof being a mirror image;
 FIG. 5 is a rear elevational view thereof;
 FIG. 6 is a rear perspective view from below thereof;
 and,
 FIG. 7 is a bottom plan view thereof.



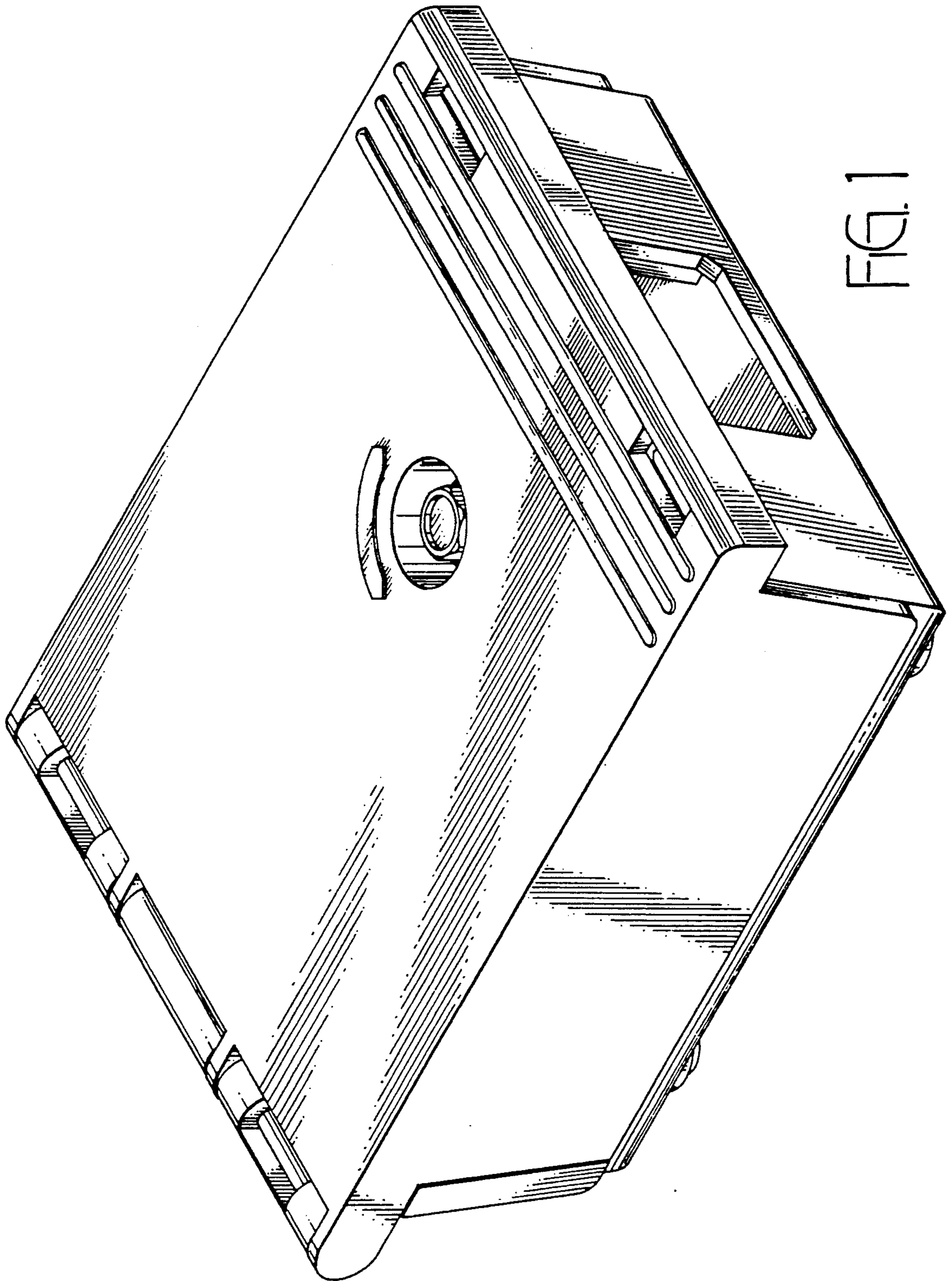


FIG. 1

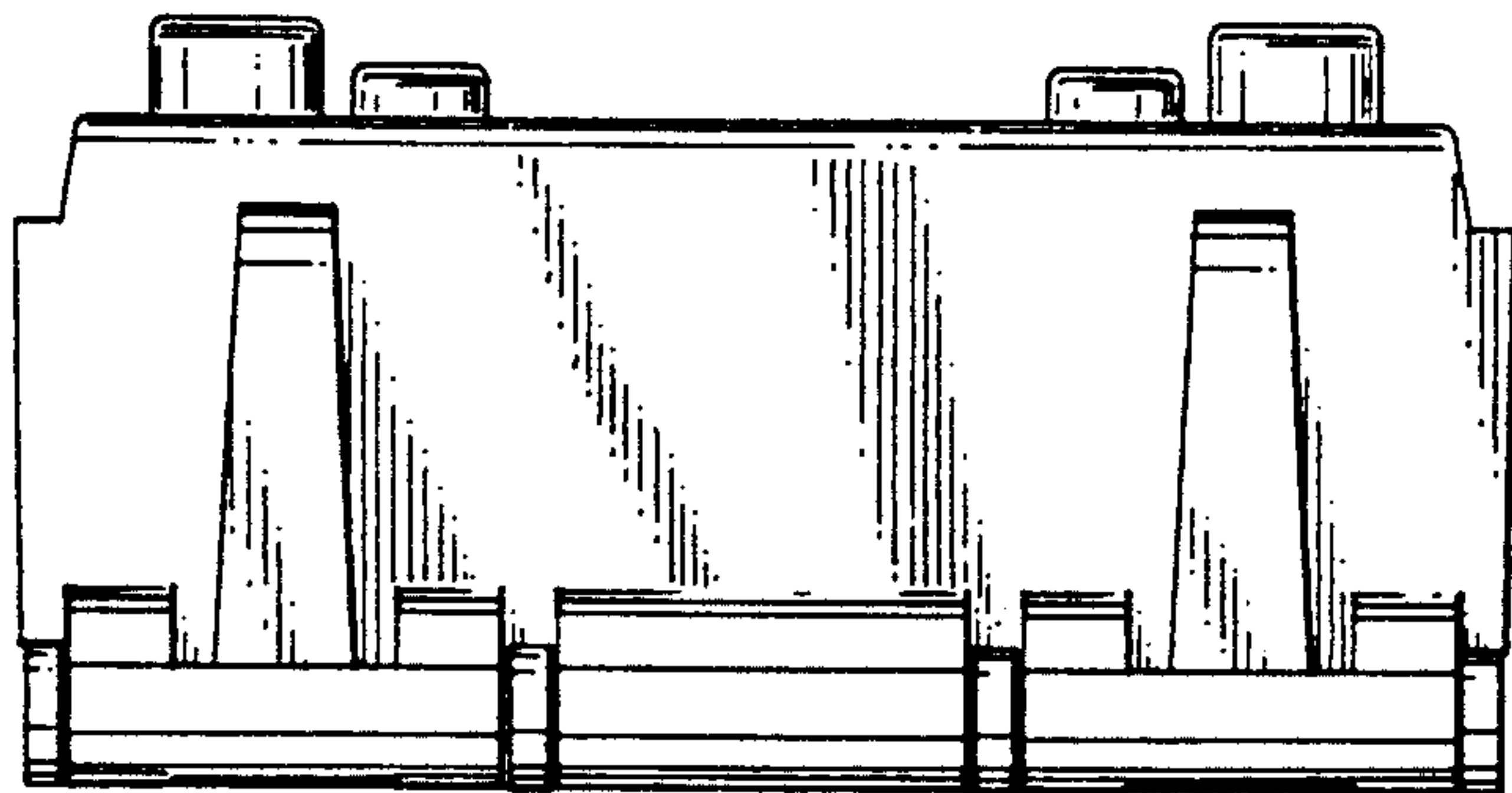


Figure 5

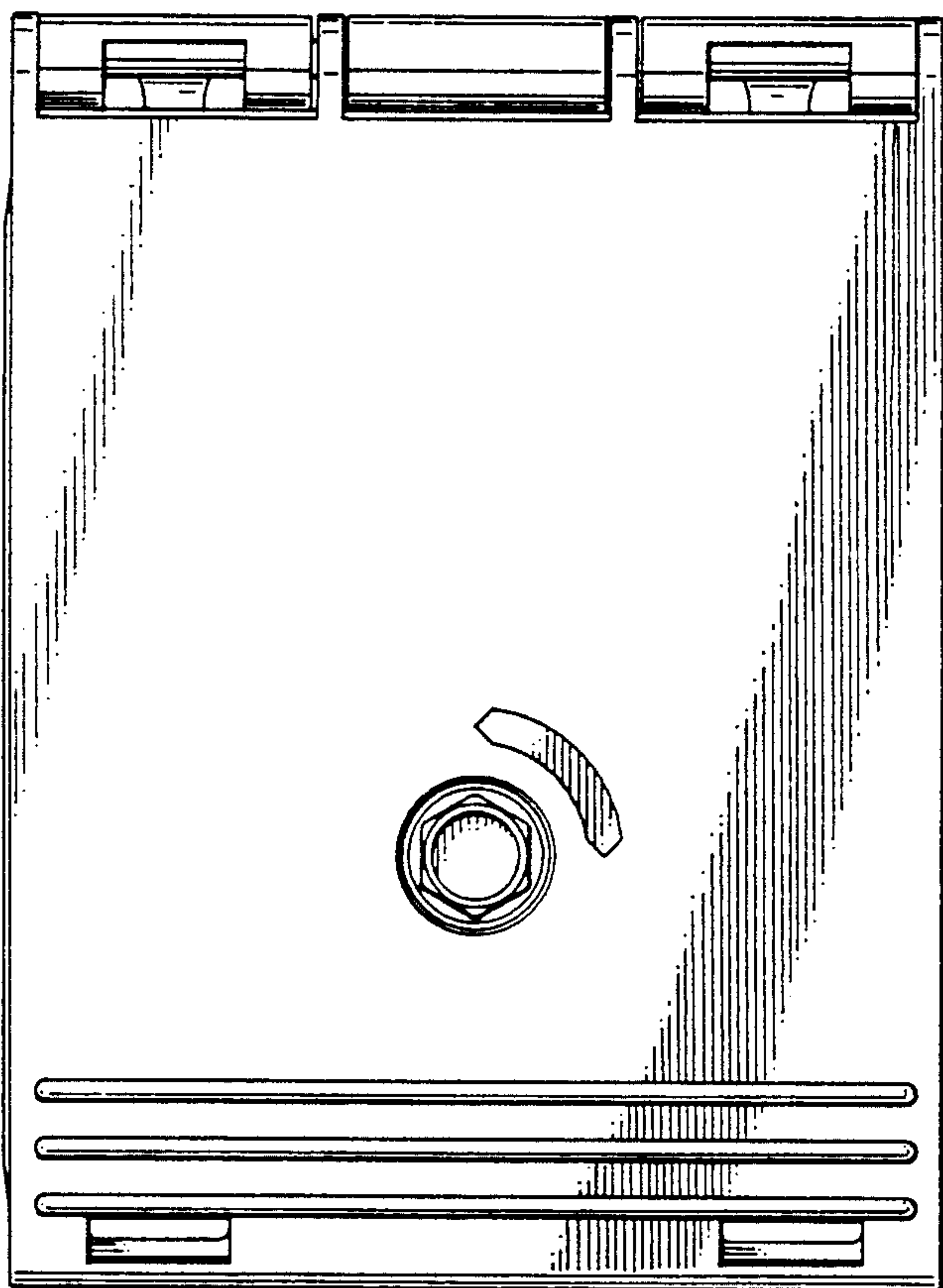


Figure 2

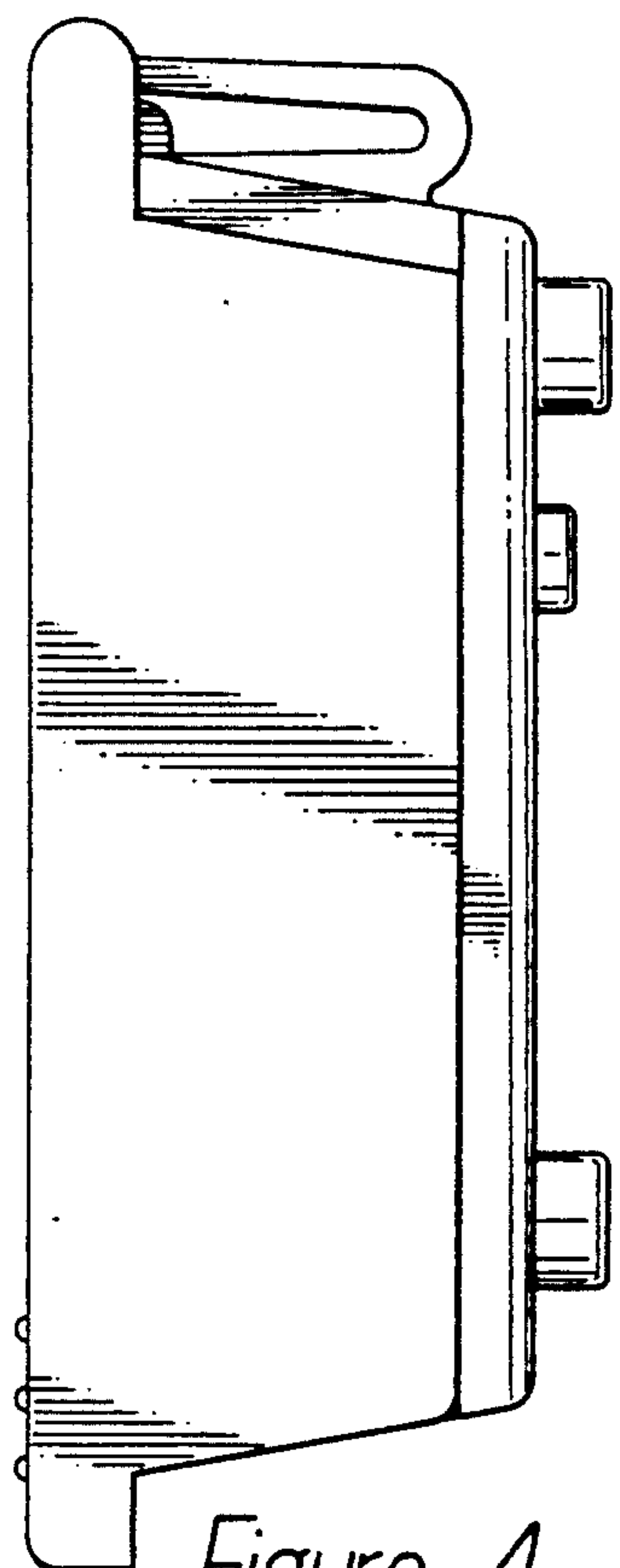


Figure 4

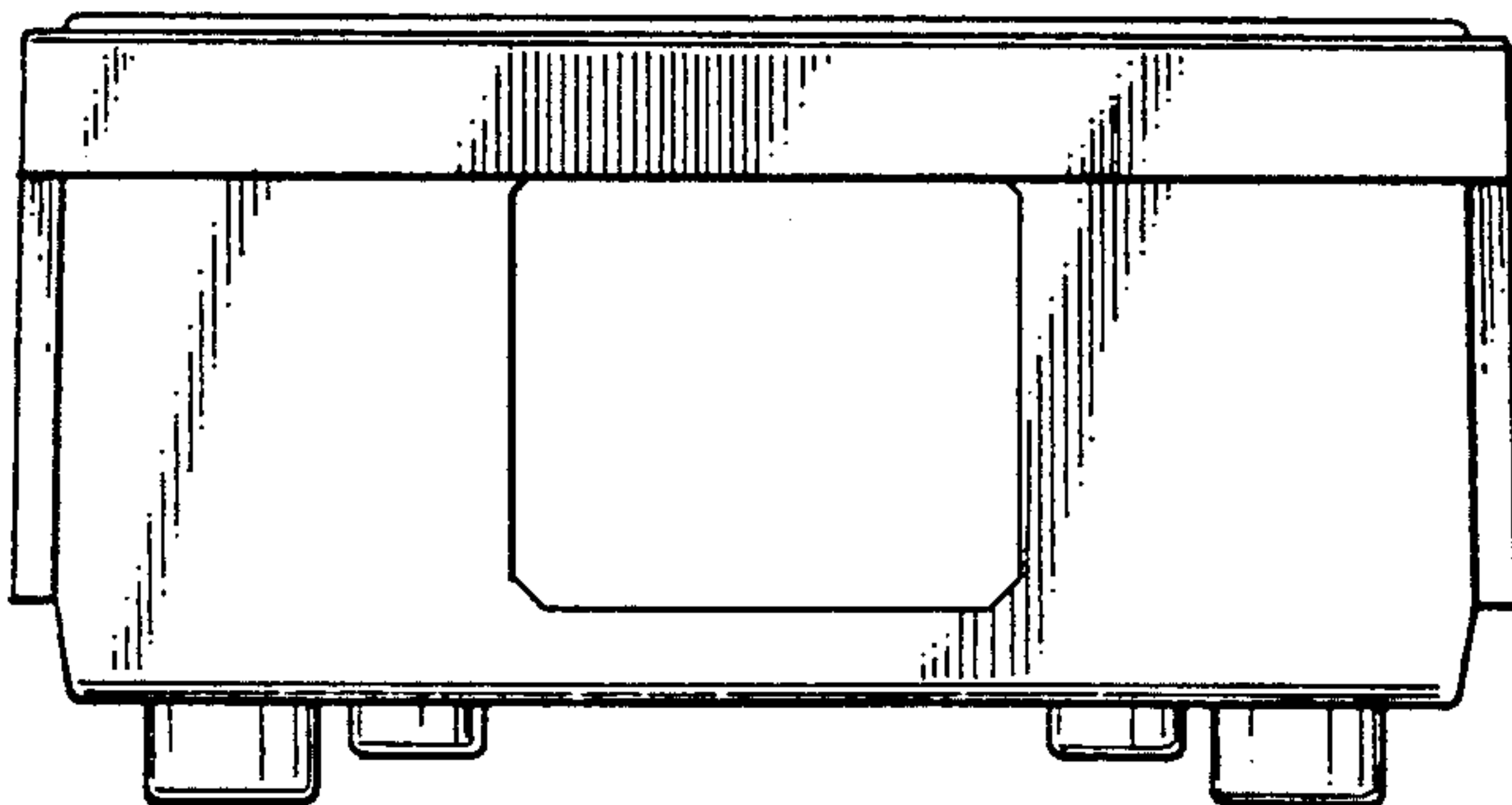


Figure 3

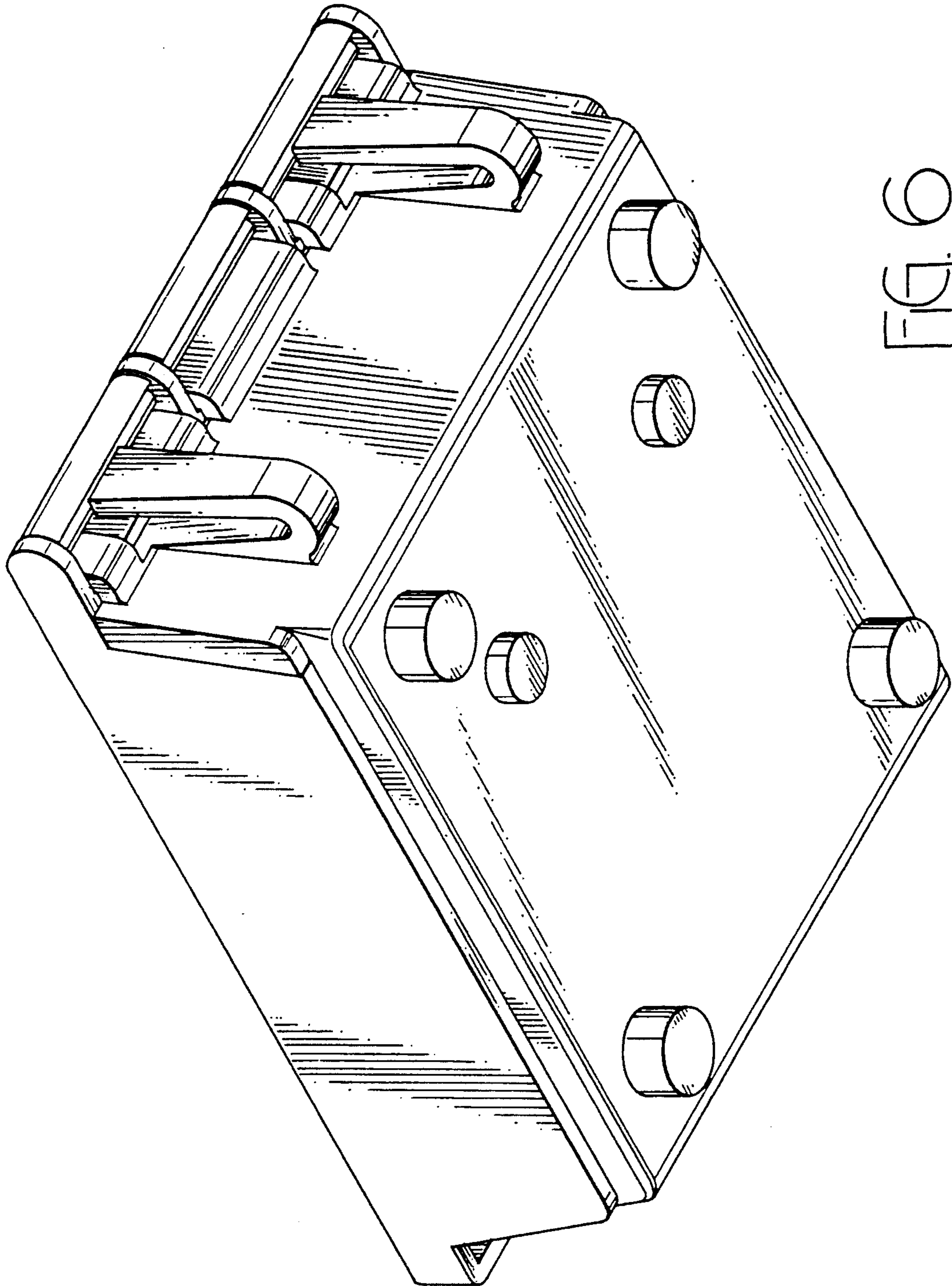


FIG. 6

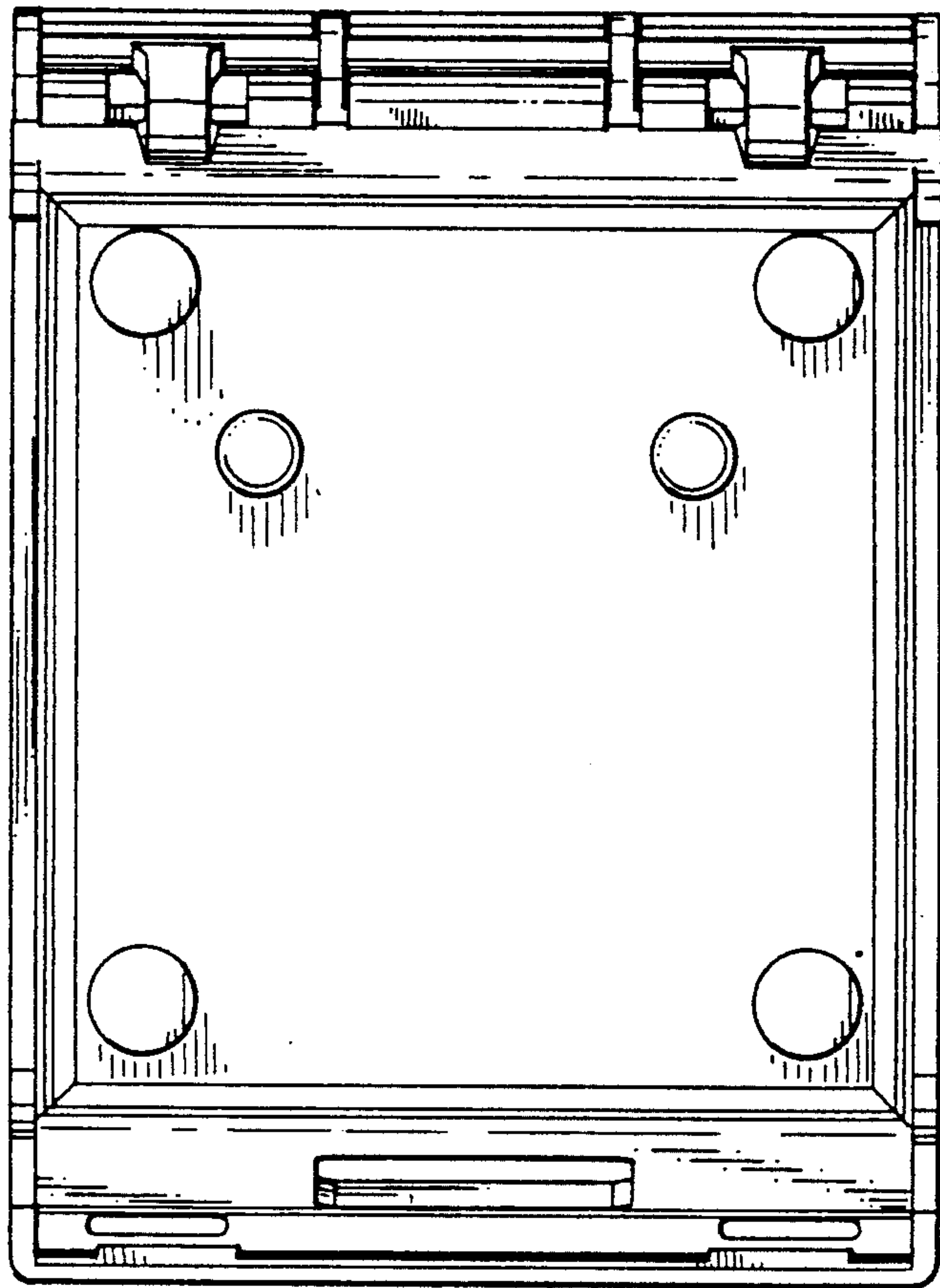


FIG. 7