



US00D340689S

# United States Patent [19]

[11] Patent Number: **Des. 340,689**

Wolcott et al.

[45] Date of Patent: **\*\* Oct. 26, 1993**

[54] **PICKUP TRUCK TENT**

[76] Inventors: **Herbert A. Wolcott; Carol A. Feldman**, both of 103 N. Bond, Dallas, Tex. 75211

[\*\*] Term: **14 Years**

[21] Appl. No.: **909,641**

[22] Filed: **Jul. 7, 1992**

[52] U.S. Cl. .... **D12/156**

[58] Field of Search ..... **D12/156; D21/253; 296/26, 99.1, 100, 102; 135/88**

*Outside*, Jun. 1988, p. 125, Eagle's Nest Tent. *4 Wheel & Off-Road*, vol. 11, No. 5, May 1988. *Chevy Outdoors*, Winter Issue 1986.

*Primary Examiner*—James M. Gandy  
*Attorney, Agent, or Firm*—Ross, Howison, Clapp & Korn

[57] **CLAIM**

The ornamental design for pickup truck tent, as shown and described.

**DESCRIPTION**

FIG. 1 is a side elevational view of our pickup truck tent, the opposite side being a mirror image thereof; FIG. 2 is a top plan view; FIG. 3 is a front elevational view; FIG. 4 is a rear elevational view; and, FIG. 5 is a bottom plan view.

The broken line showing of a portion of a pickup truck in FIG. 1 of the drawing is for illustrative purposes only and forms no part of the claimed design.

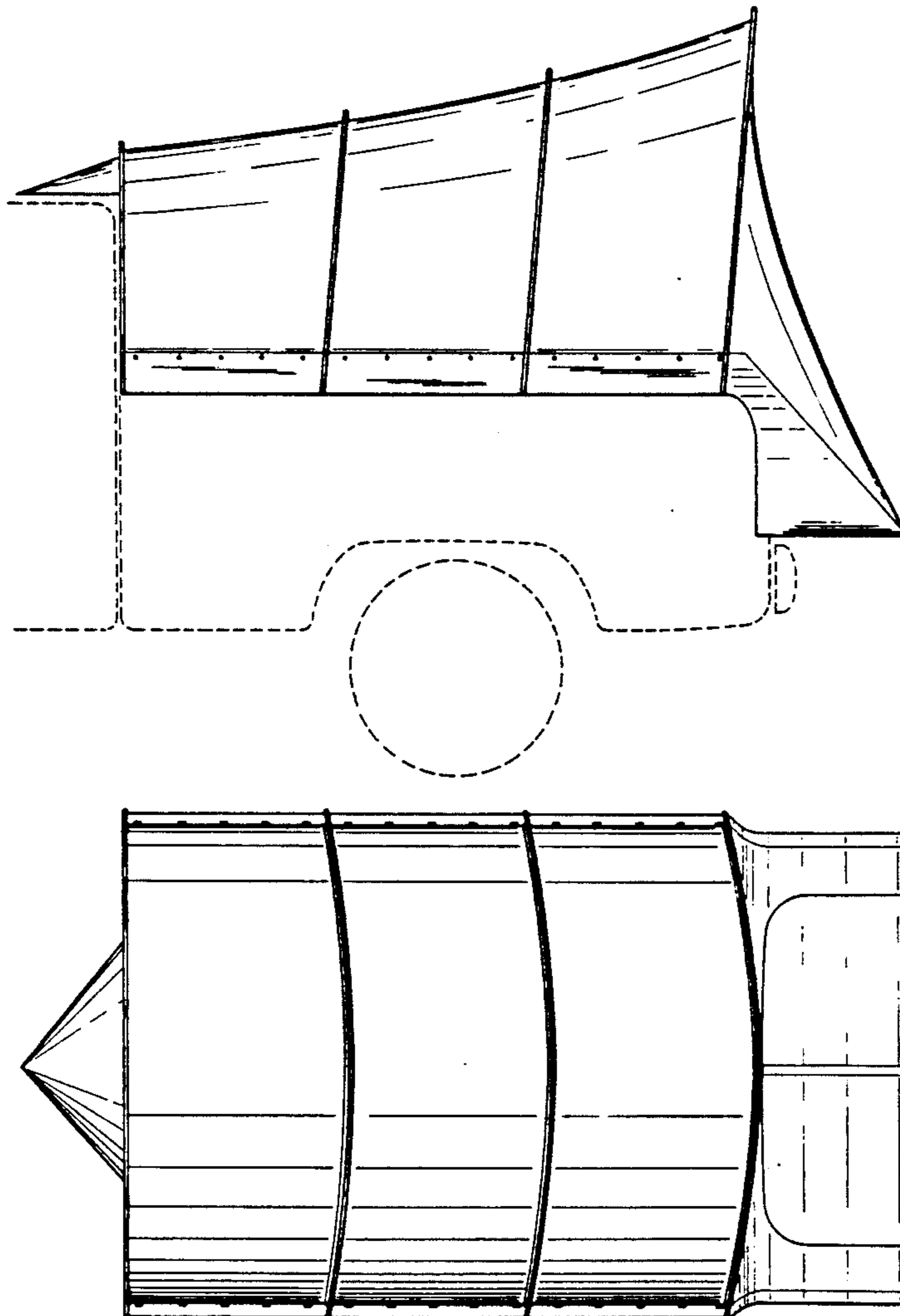
[56] **References Cited**

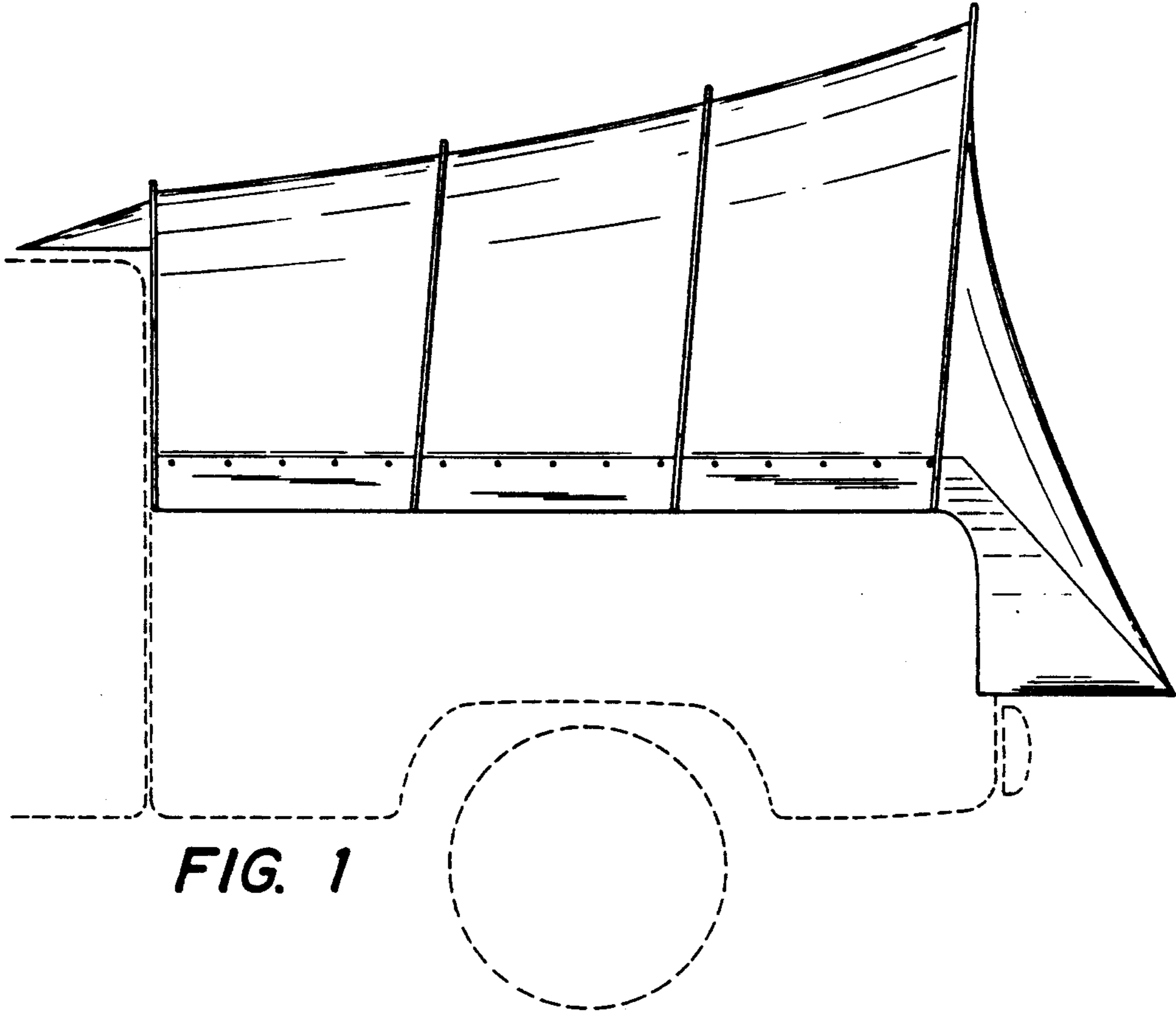
**U.S. PATENT DOCUMENTS**

- D. 249,094 8/1978 Stewart, Jr. .... D21/253
- D. 291,074 7/1987 Ravana ..... D12/156
- D. 297,424 8/1988 Norris, III ..... D12/156

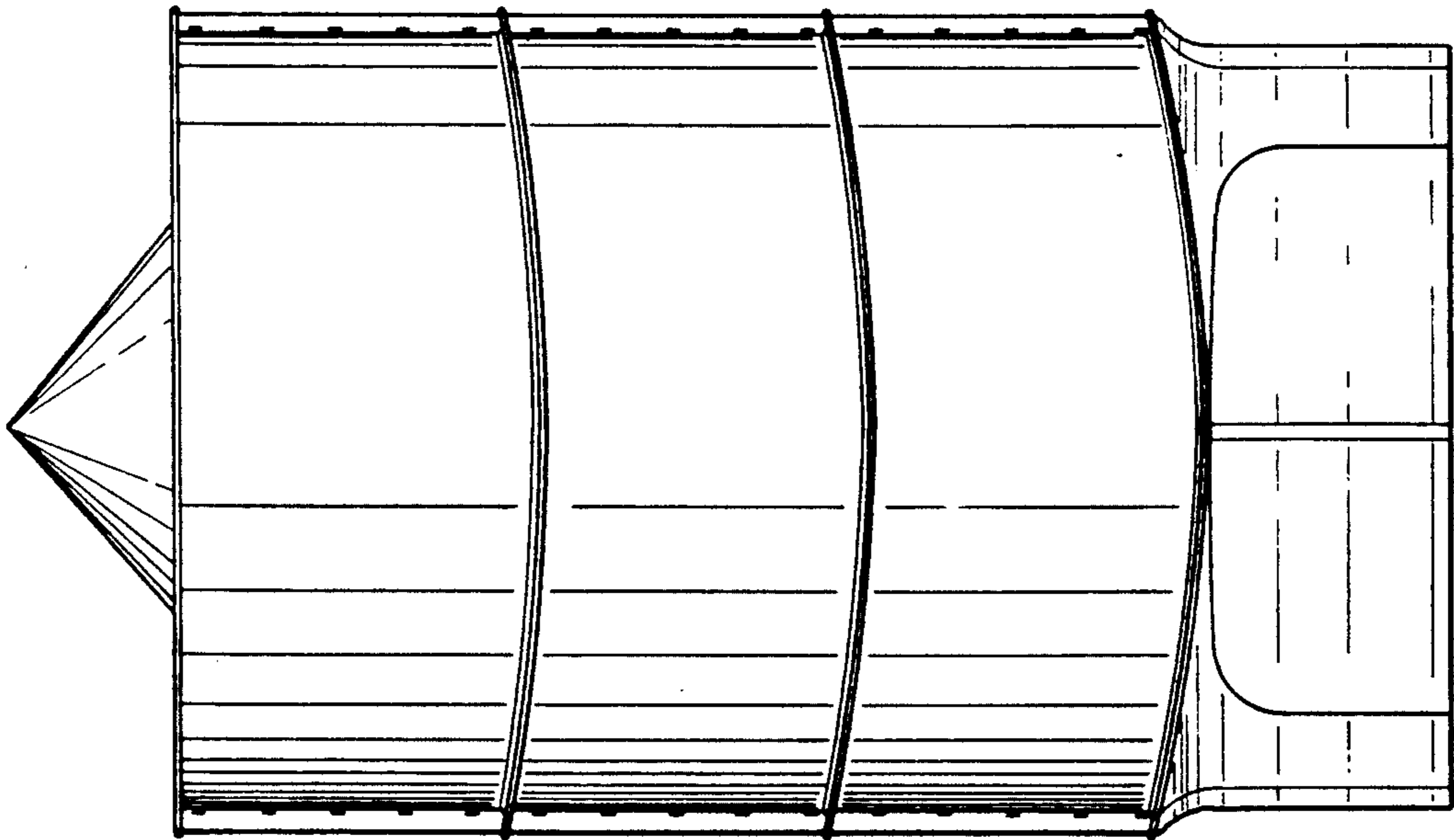
**OTHER PUBLICATIONS**

*Bass Pro Shops*, Summer 1992.

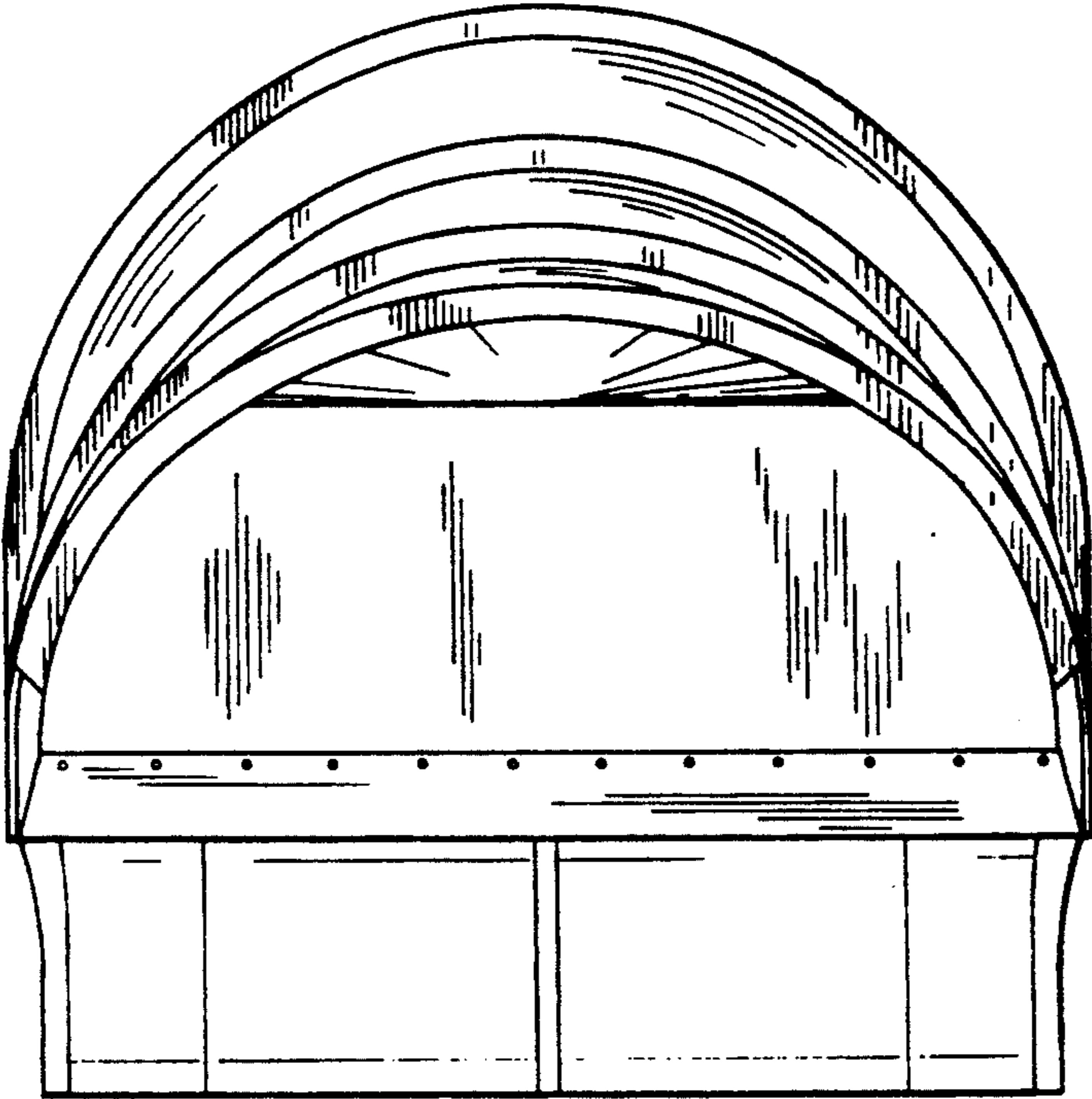




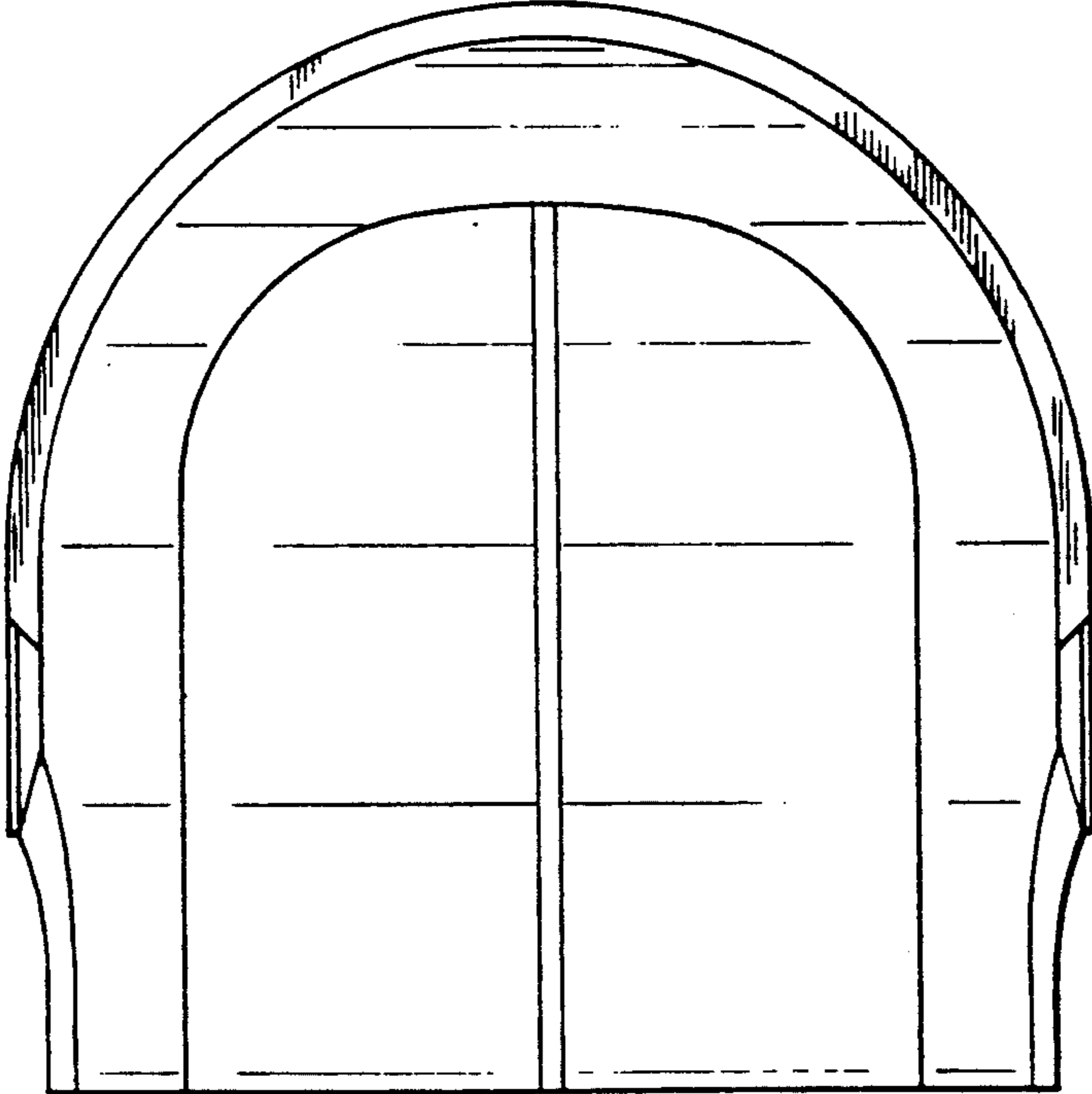
**FIG. 1**



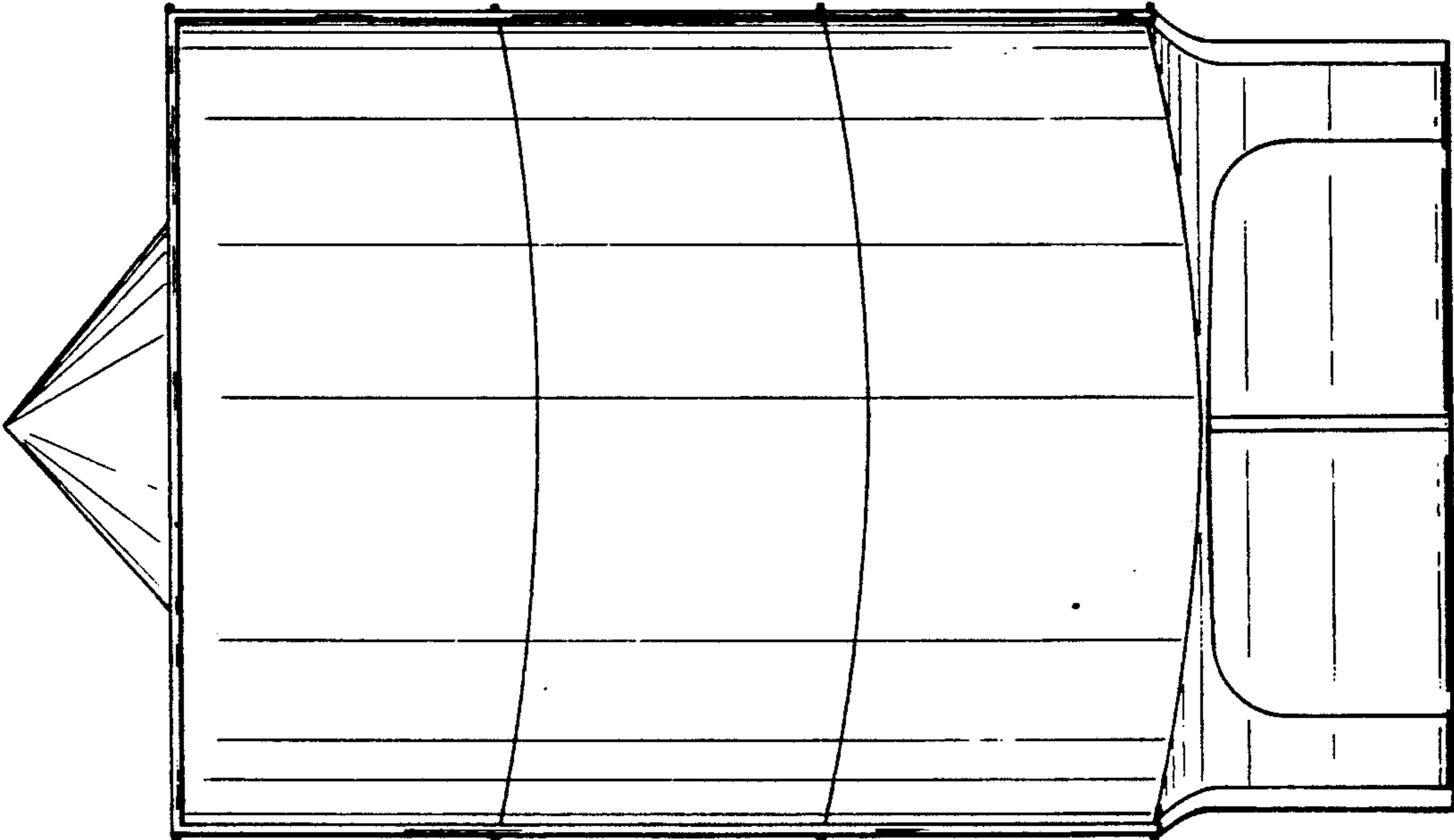
**FIG. 2**



**FIG. 3**



**FIG. 4**



**FIG. 5**