



US00D340681S

# United States Patent [19]

[11] Patent Number: **Des. 340,681**

**Alpiser et al.**

[45] Date of Patent: **\*\* Oct. 26, 1993**

[54] **SOLAR POWERED BROADCAST TRAILER**

[75] Inventors: **John R. Alpiser; Joanne D. Alpiser,** both of Cary; **Virgil D. Duncan,** Raleigh; **Tanya L. Johnson,** Chapel Hill, all of N.C.

[73] Assignee: **Digital Recorders, Inc.,** Research Triangle Park, N.C.

[\*\*] Term: **14 Years**

[21] Appl. No.: **862,255**

[22] Filed: **Apr. 2, 1992**

[52] U.S. Cl. .... **D12/101**

[58] Field of Search ..... **D12/101, 102; 280/656, 280/789, 63; 296/168, 22; D13/102**

[56] **References Cited**

**U.S. PATENT DOCUMENTS**

D. 205,999 10/1966 Guevara, Jr. et al. .... **D12/101**

D. 206,752	1/1967	Moll .....	D12/101
D. 216,254	12/1969	Debella .....	D12/101
D. 236,473	8/1975	Kerlin et al. ....	D13/102
3,831,849	8/1974	Studinger .....	D12/102
4,842,316	6/1989	Lerma et al. ....	296/22
4,999,059	3/1991	Bayno .....	D13/102

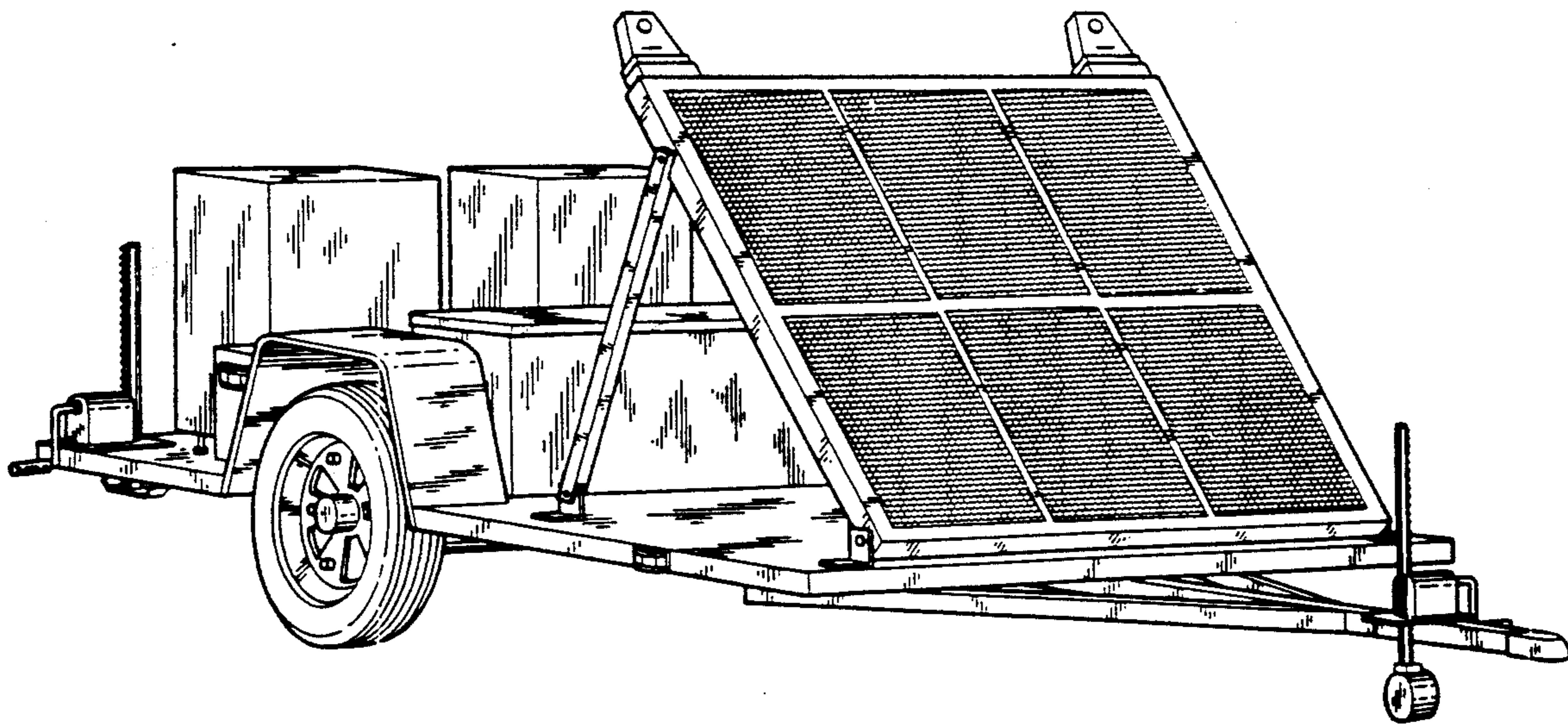
*Primary Examiner*—Wallace R. Burke  
*Assistant Examiner*—Melody Brown  
*Attorney, Agent, or Firm*—Shefte, Pinckney & Sawyer

[57] **CLAIM**

The ornamental design for a solar powered broadcast trailer, as shown and described.

**DESCRIPTION**

FIG. 1 is a perspective view of a solar powered broadcast vehicle showing our new design; FIG. 2 is a side elevational view thereof; FIG. 3 is a top view thereof; FIG. 4 is a front elevational view thereof; and, FIG. 5 is a rear elevational view thereof.



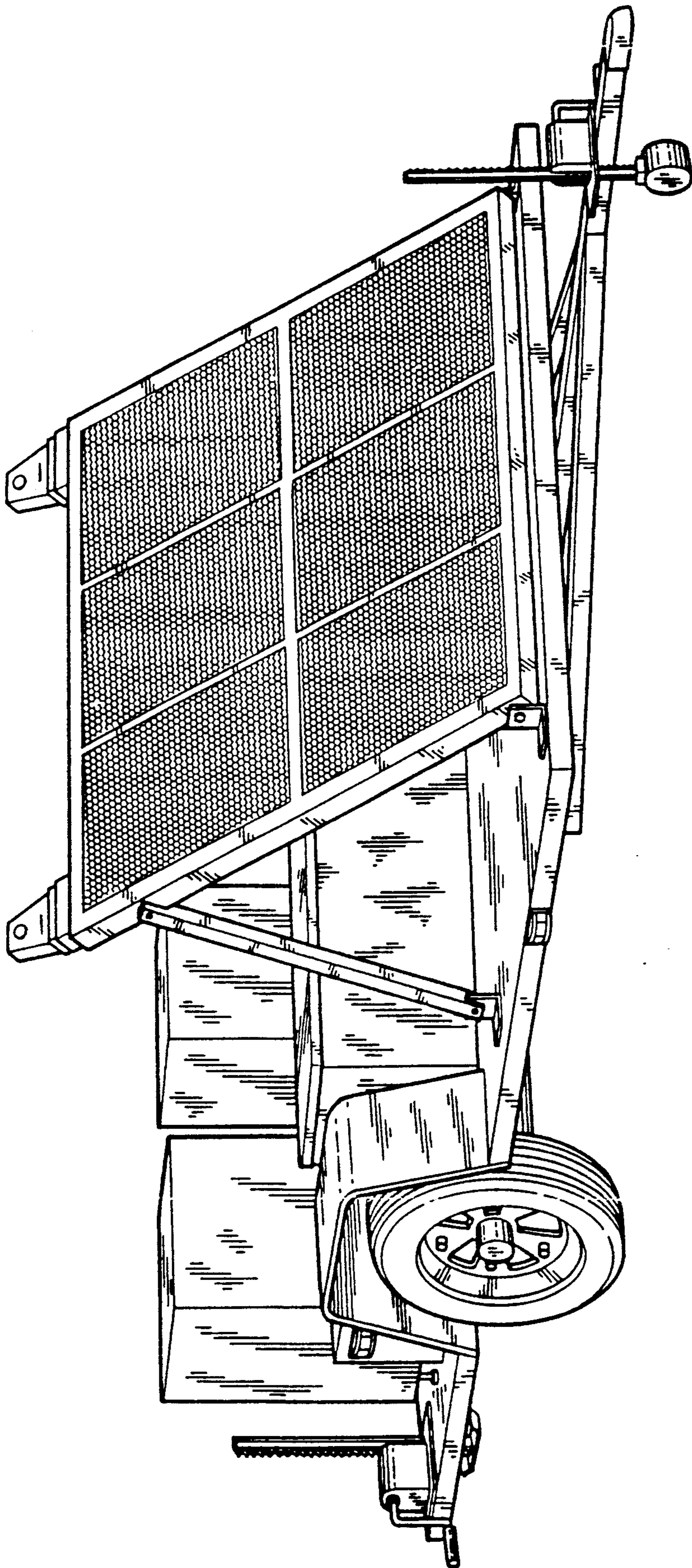


Fig. 1

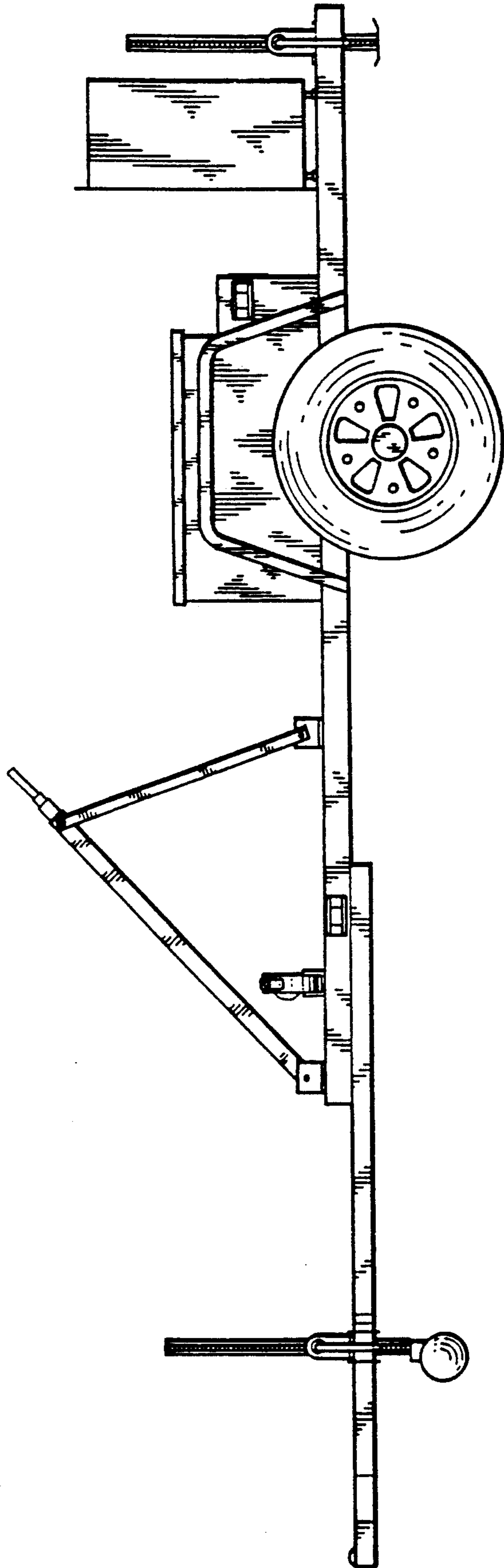


Fig. 2

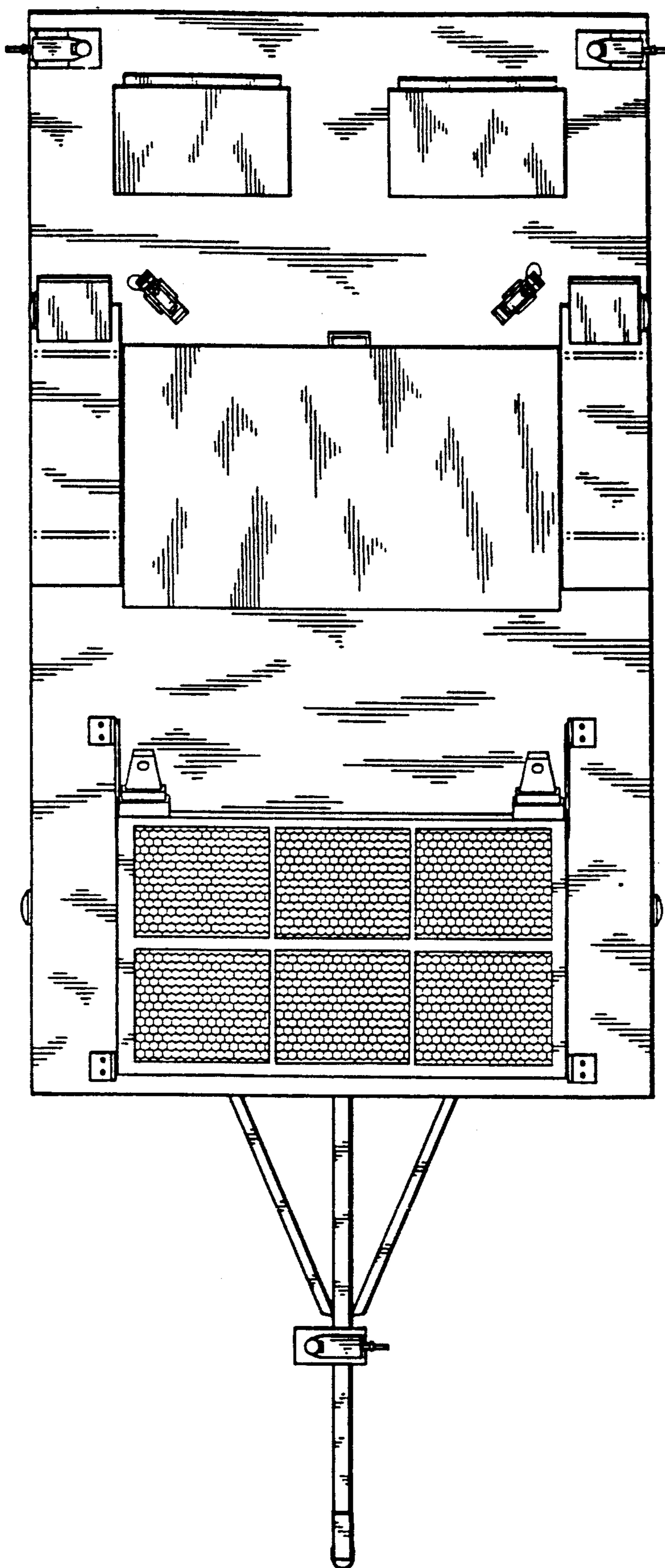


Fig. 3

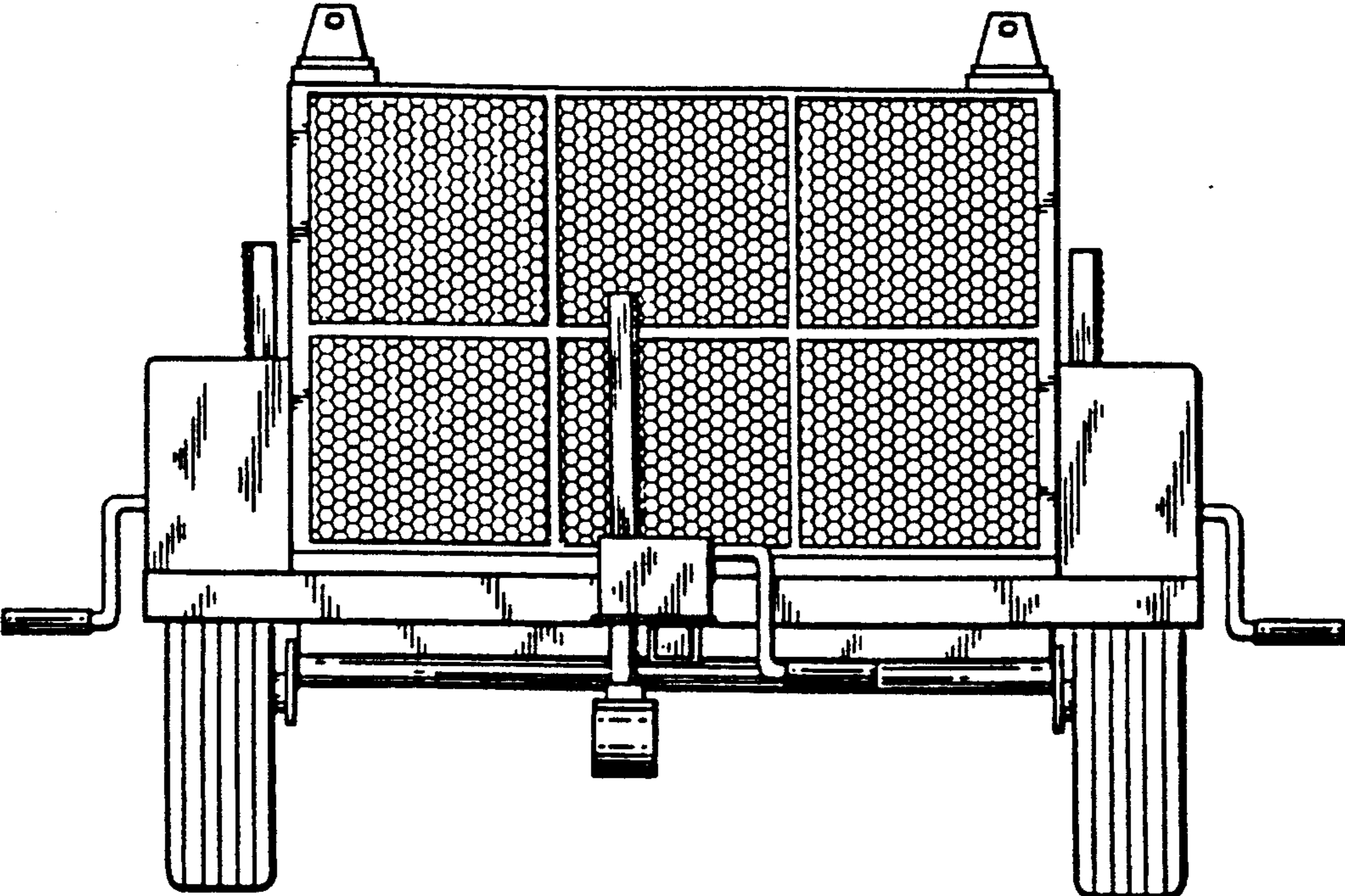


Fig. 4

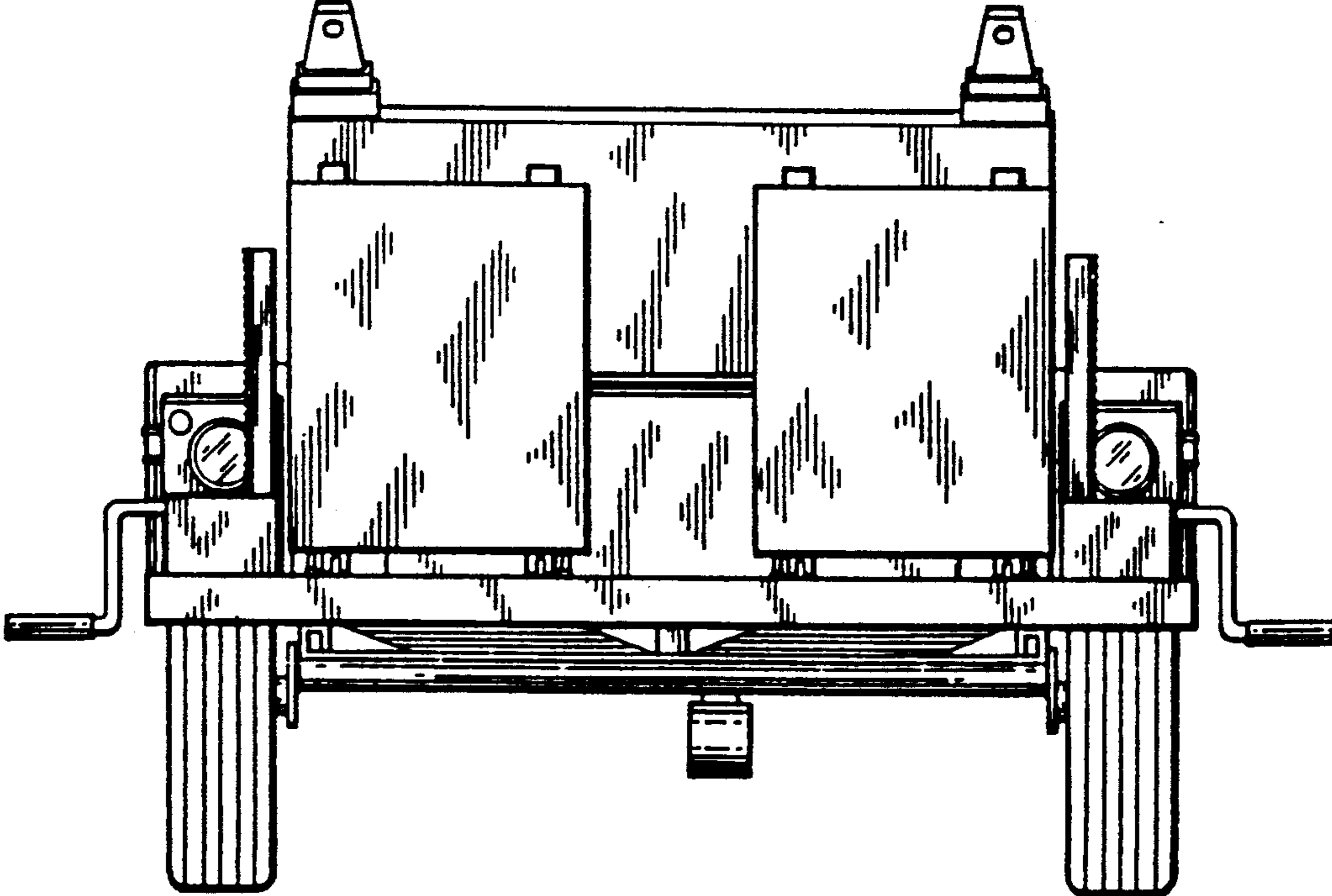


Fig. 5