



US00D340678S

United States Patent [19]

Wakabayashi

[11] Patent Number: **Des. 340,678**

[45] Date of Patent: **** Oct. 26, 1993**

[54] **BUCKLE**
 [75] Inventor: **Masao Wakabayashi, Toyama, Japan**
 [73] Assignee: **Yoshida Kogyo K. K., Tokyo, Japan**
 [**] Term: **14 Years**
 [21] Appl. No.: **829,156**
 [22] Filed: **Jan. 31, 1992**

D. 121,618 7/1940 Reiter D11/218
 D. 157,888 3/1950 Muller D11/218
 732,368 6/1903 Mitchell 24/163 R
 741,417 10/1903 Smith et al. 24/163 R
 1,921,826 8/1933 Joyce D11/218 X
 2,057,575 10/1936 Houghton 24/196

Primary Examiner—A. Hugo Word
Assistant Examiner—R. Seifert
Attorney, Agent, or Firm—Hill, Steadman & Simpson

[30] **Foreign Application Priority Data**

Jul. 31, 1991 [JP] Japan3-22993

[52] **U.S. Cl.** **D11/218**

[58] **Field of Search** D11/200, 215-218,
 D11/231, 87, 232, 212; 24/574, 196, 633, 163 R,
 573, 197, 631, 641, 616, 170, 305, 260, 68 F, 74,
 299; 297/467

[56] **References Cited**

U.S. PATENT DOCUMENTS

21,517 5/1892 Traut D11/218
 45,239 2/1914 Peterson D11/218
 56,993 1/1921 Robinson D11/218

[57] **CLAIM**

The ornamental design for a buckle, as shown and described.

DESCRIPTION

FIG. 1 is a front view of a buckle showing my new design;
 FIG. 2 is a rear view of the buckle of FIG. 1;
 FIG. 3 is a plan view of the buckle of FIG. 1;
 FIG. 4 is a base view of the buckle of FIG. 1;
 FIG. 5 is a right side view of the buckle of FIG. 1;
 FIG. 6 is a cross-sectional view taken along the lines 6-6 of FIG. 1; and,
 FIG. 7 is a perspective view of the buckle of FIG. 1.

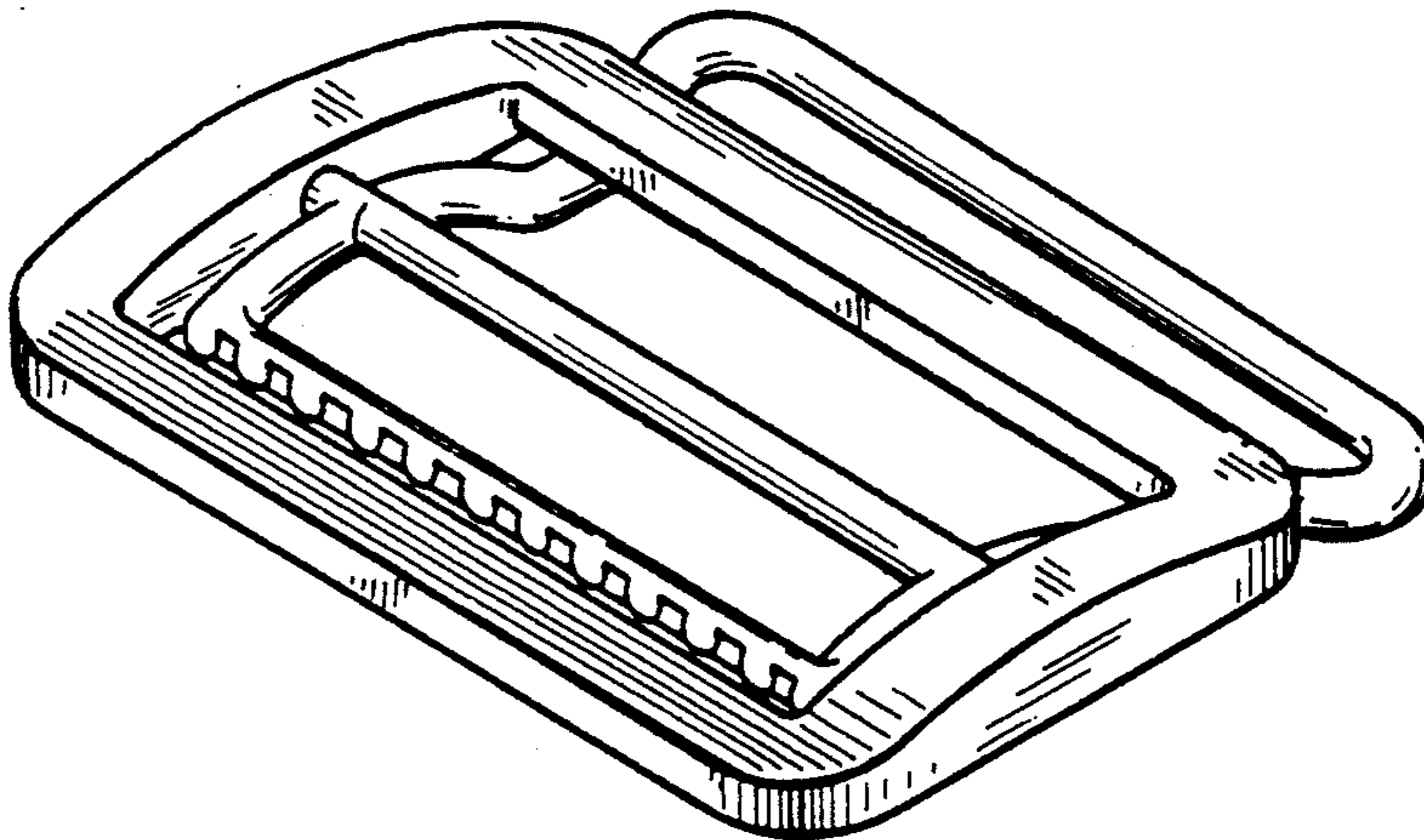


FIG. 1

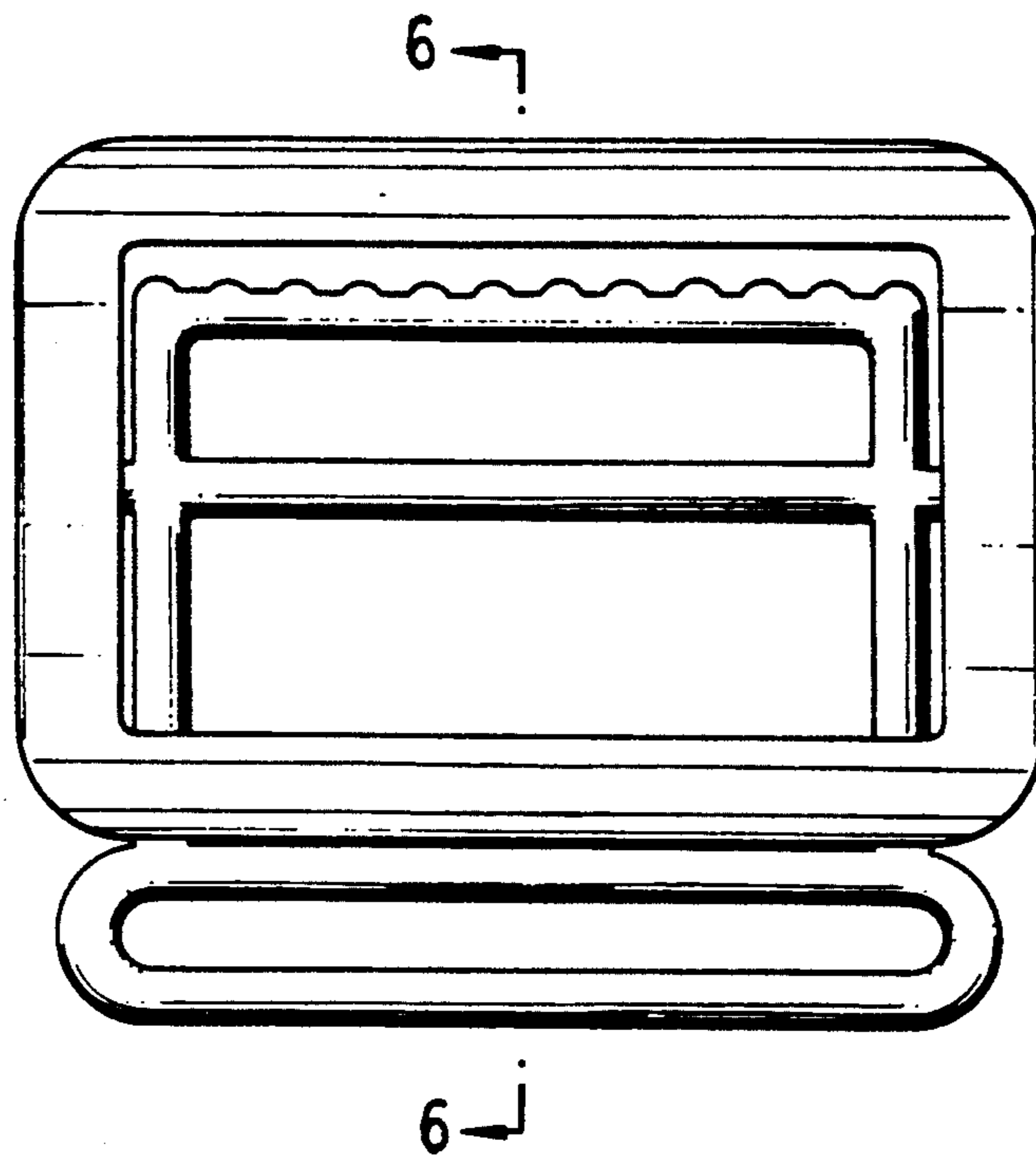


FIG. 2

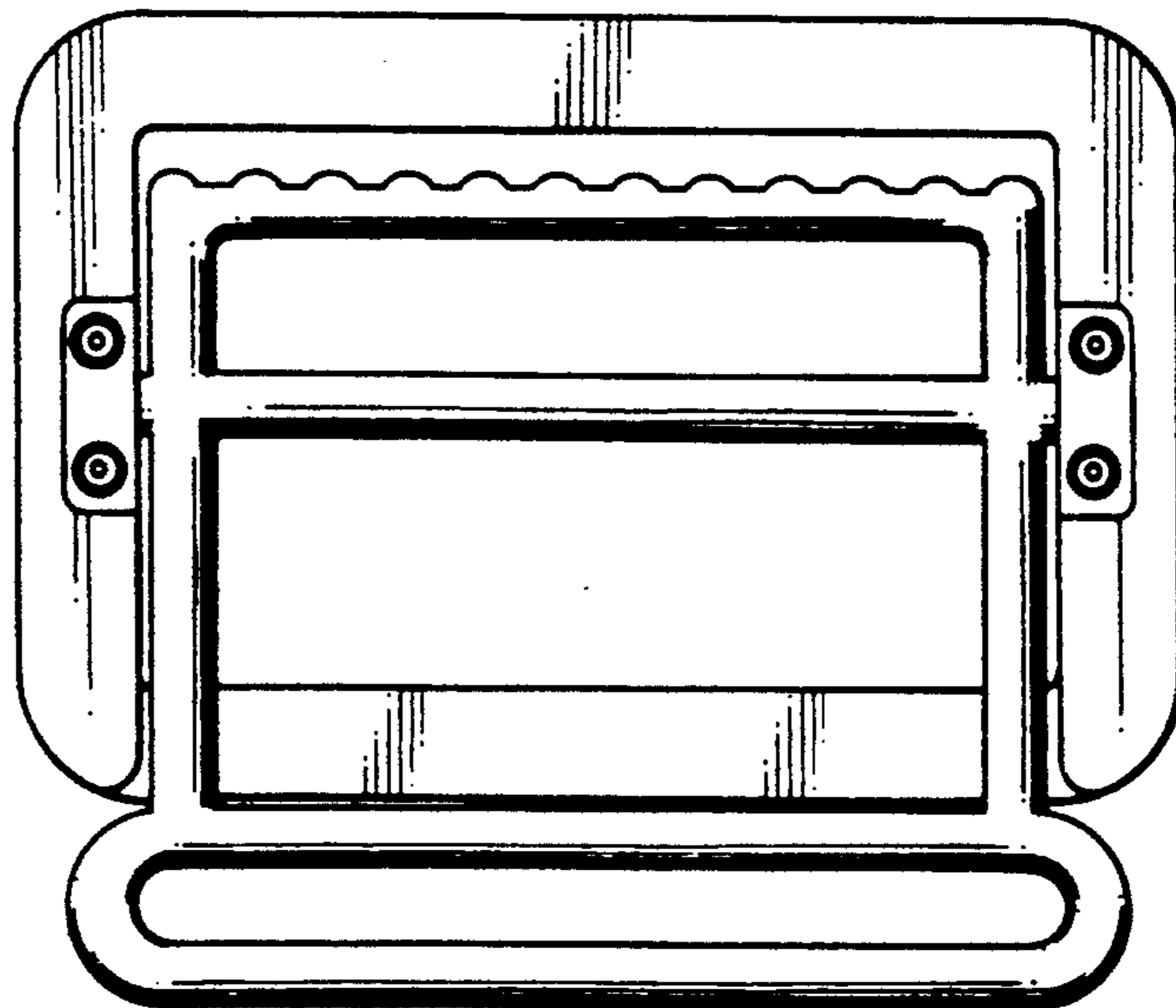


FIG. 3

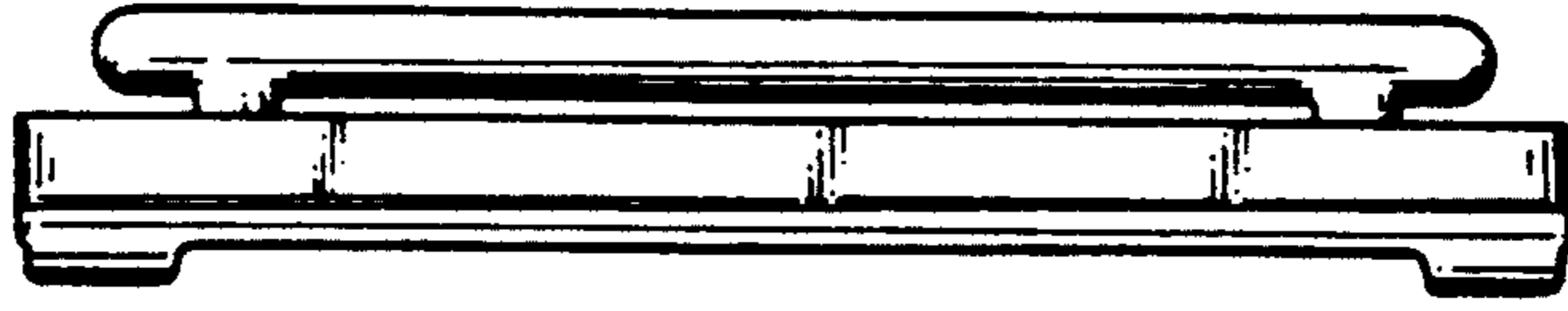


FIG. 4

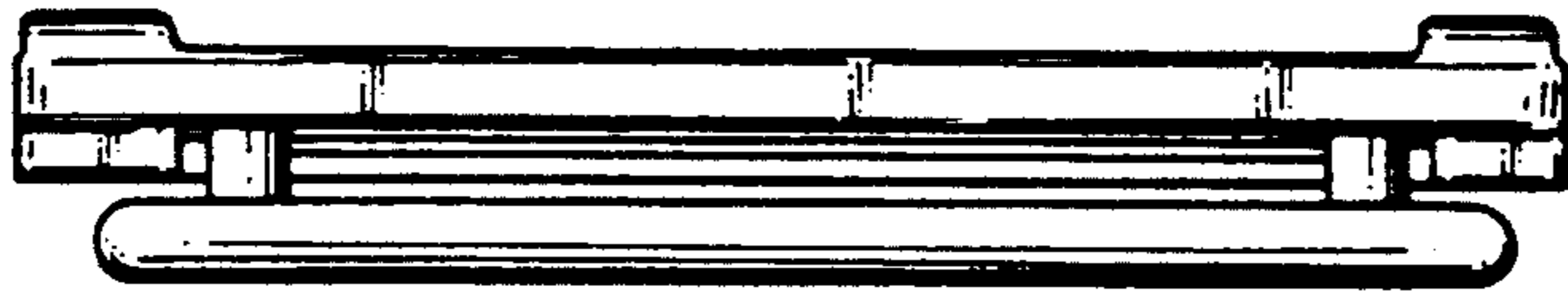


FIG. 5



FIG. 6



FIG. 7

