



US00D340676S

United States Patent [19] Gallagher

[11] Patent Number: **Des. 340,676**

[45] Date of Patent: **** Oct. 26, 1993**

[54] **ADJUSTABLE FLAG SUPPORT**

[75] Inventor: **Gerald S. Gallagher, Lowell, Mass.**

[73] Assignee: **Admiral U.S.A. Ent., Inc., Lowell, Mass.**

[**] Term: **14 Years**

[21] Appl. No.: **780,875**

[22] Filed: **Oct. 18, 1991**

[52] U.S. Cl. **D11/182; D11/181**

[58] Field of Search **D11/181, 182; D8/373; 248/514, 518, 557**

1,475,960 12/1923 Moody 248/514
 1,742,481 1/1930 Miller D11/181 X

Primary Examiner—Bernard Ansher
Assistant Examiner—Dominic Simone
Attorney, Agent, or Firm—George M. Medeiros

[57] CLAIM

The ornamental design for an adjustable flag support, as shown and described.

DESCRIPTION

FIG. 1 is a top, front, left side perspective view of an adjustable flag support, showing my new design;
 FIG. 2 is a top plan view thereof;
 FIG. 3 is a left side elevational view thereof;
 FIG. 4 is a bottom plan view thereof;
 FIG. 5 is a right side elevational view thereof;
 FIG. 6 is a front elevational view thereof;
 FIG. 7 is a rear elevational view thereof; and,
 FIG. 8 is a top, rear, left side perspective view thereof.

[56] **References Cited**
U.S. PATENT DOCUMENTS

D. 029,051	7/1898	Lake et al.	D11/182
778,381	12/1904	Sprague	248/514
1,339,833	5/1920	Saltmarsh et al.	248/514

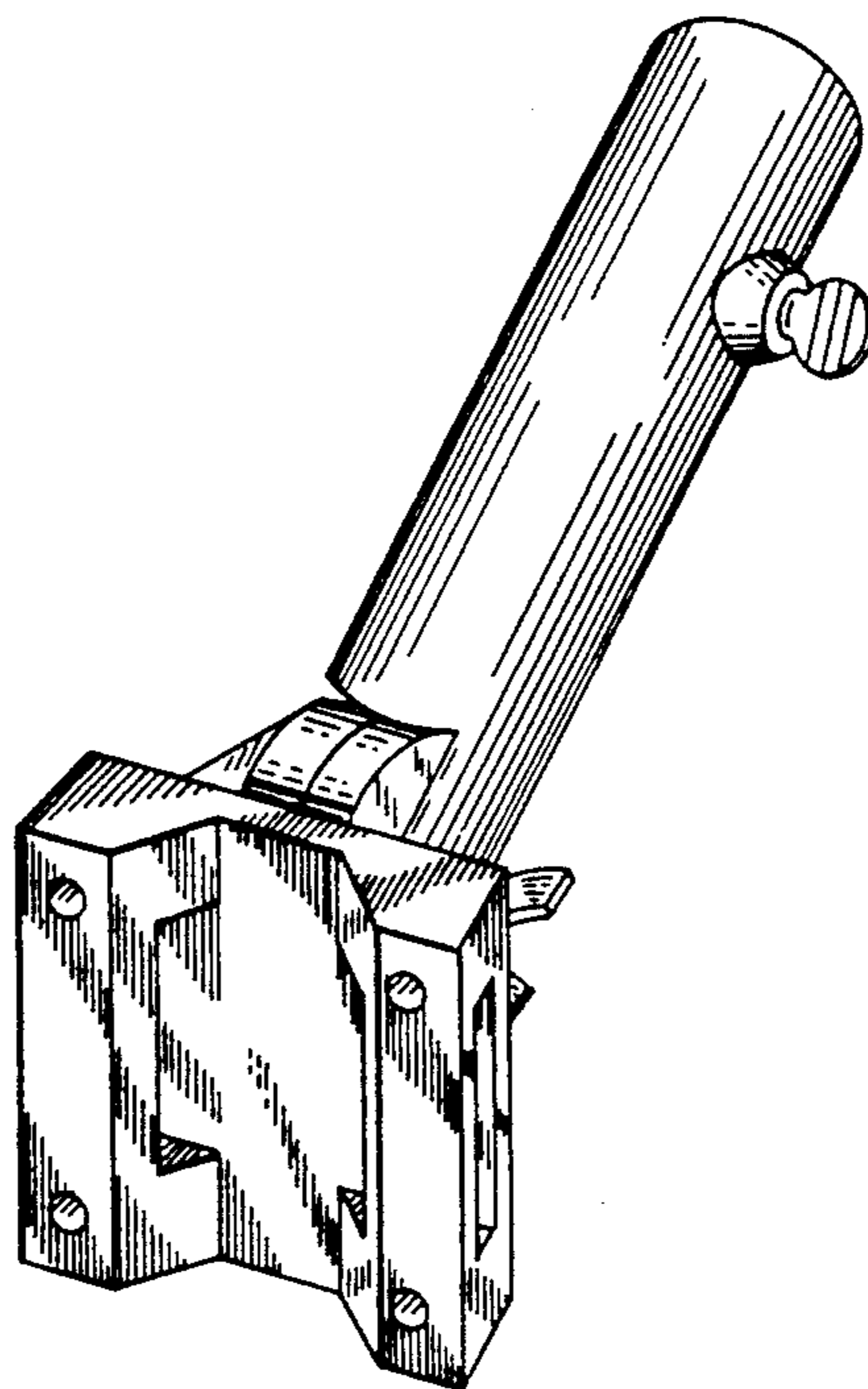
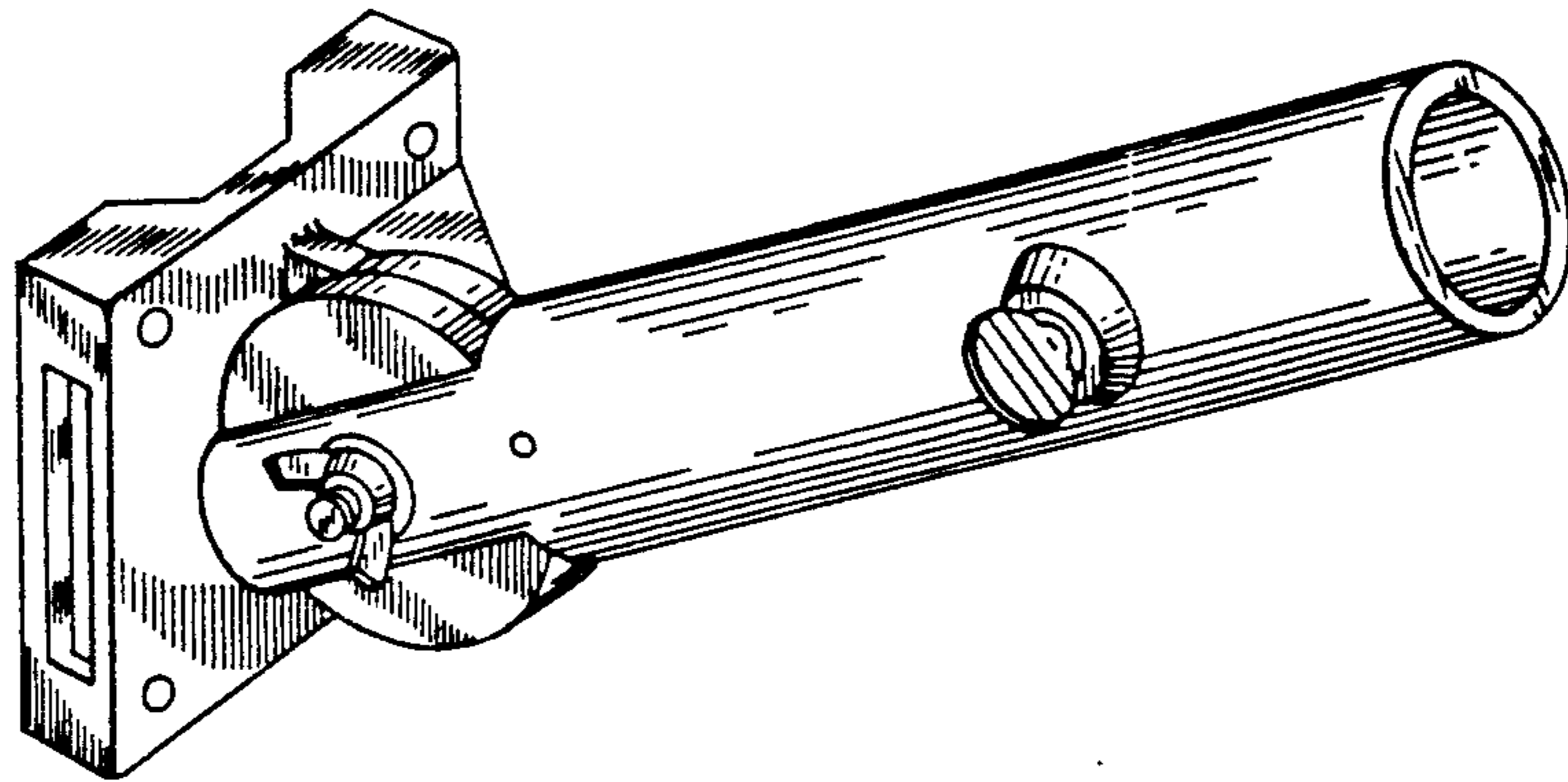


Fig. 1.

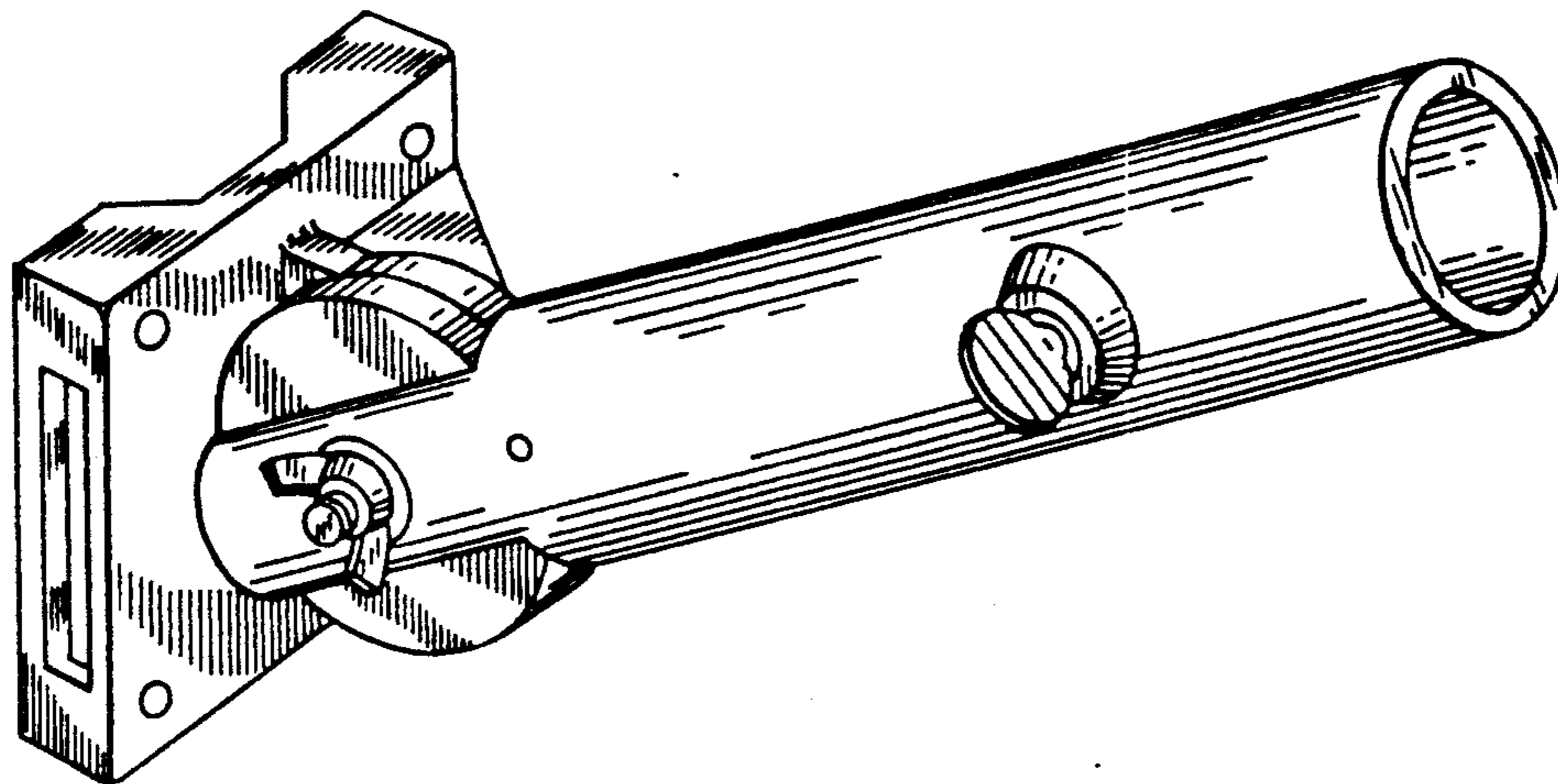


Fig. 2.

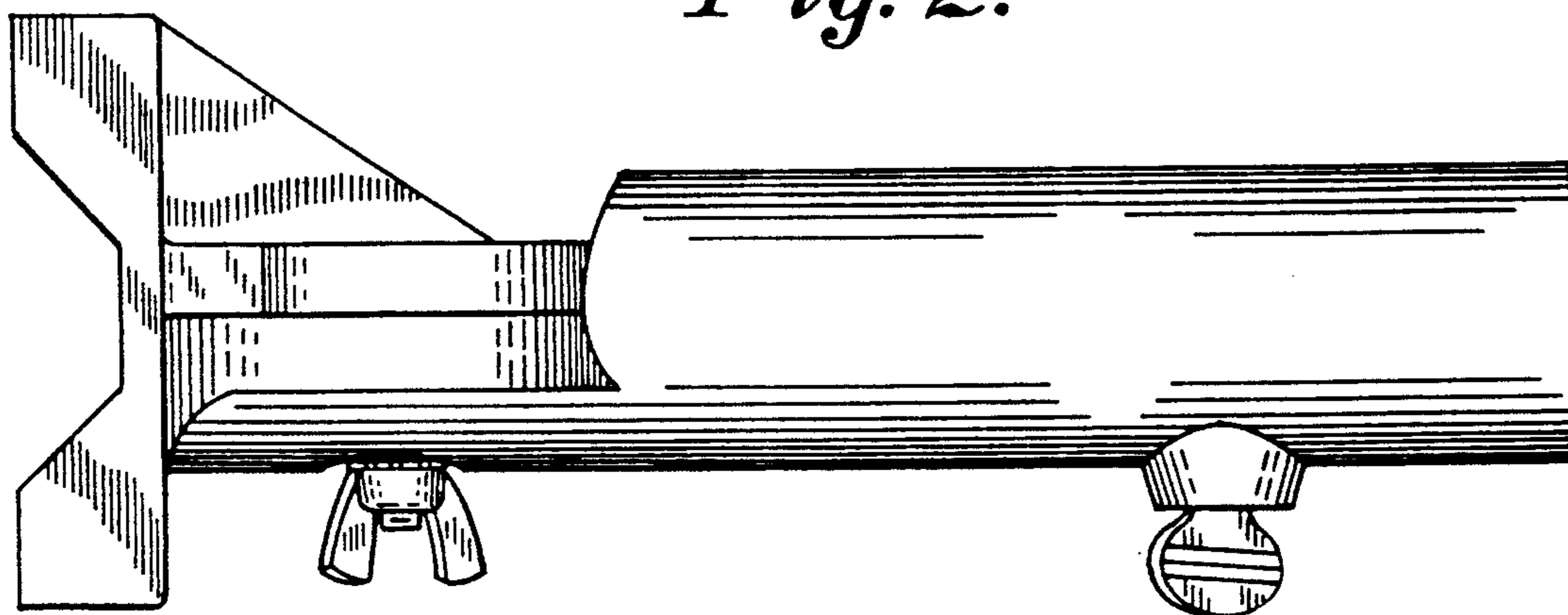
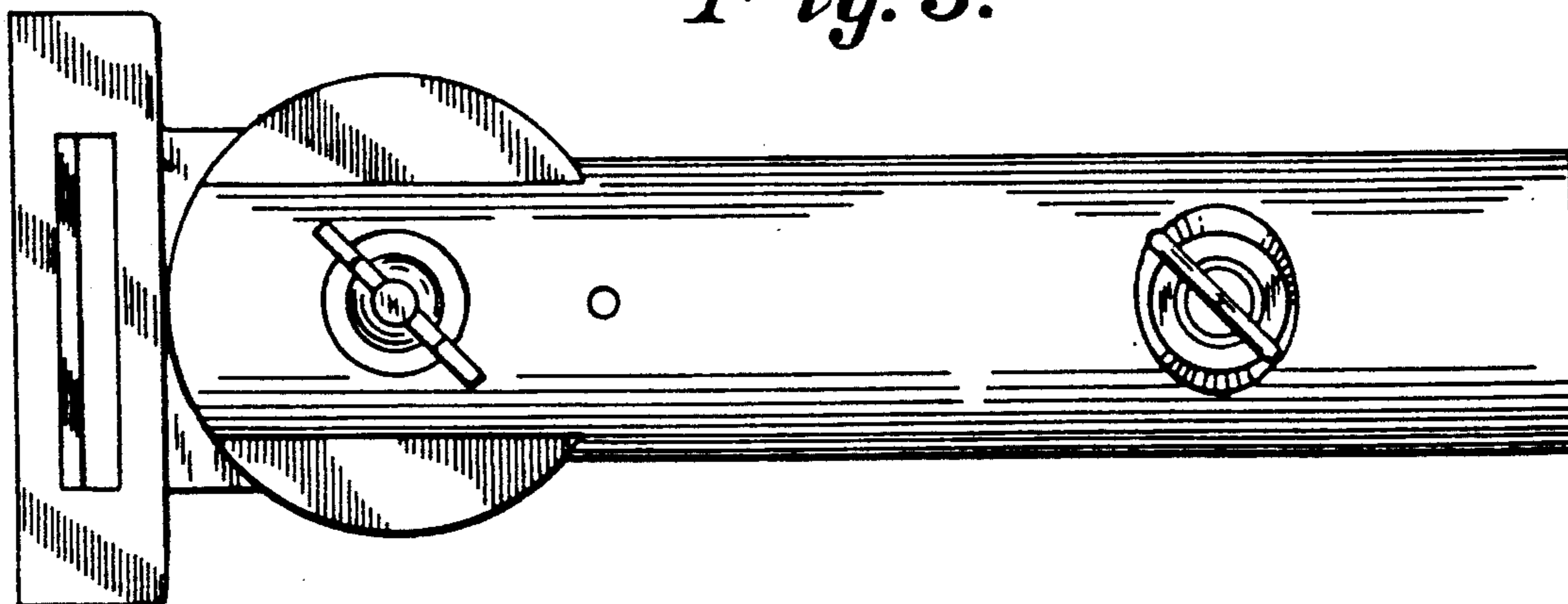


Fig. 3.



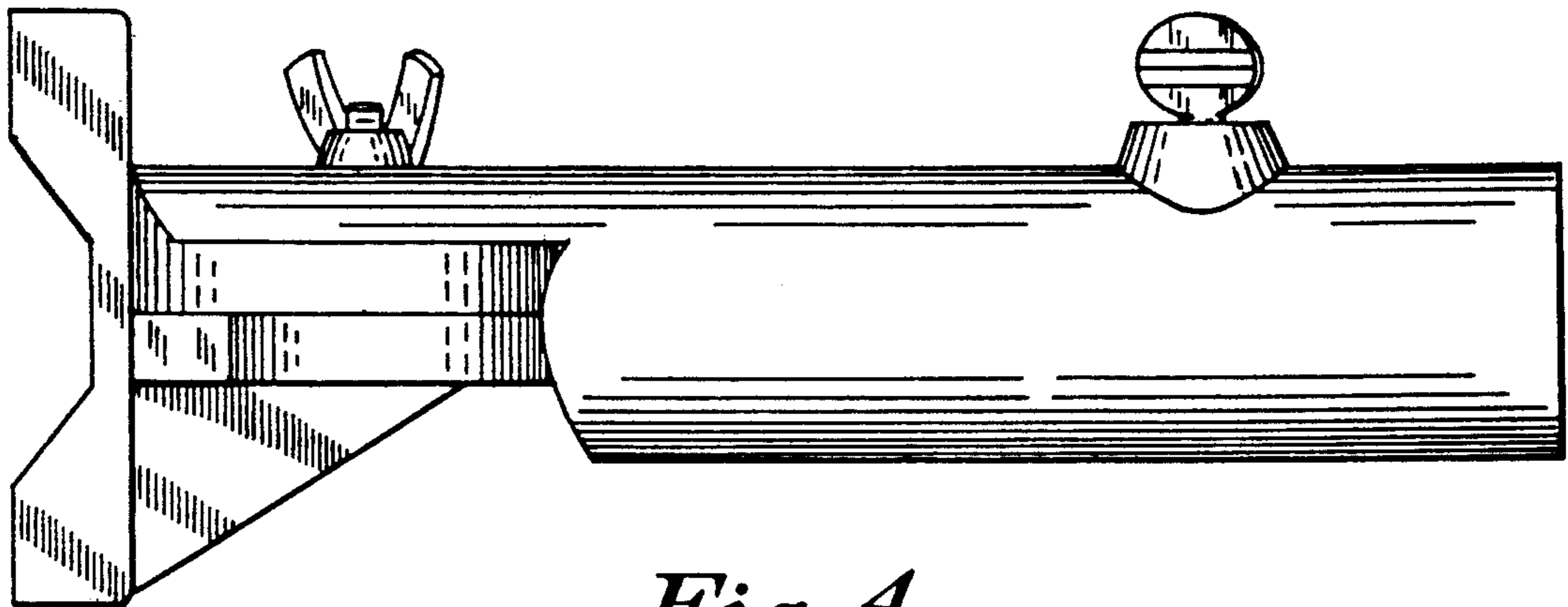


Fig. 4.

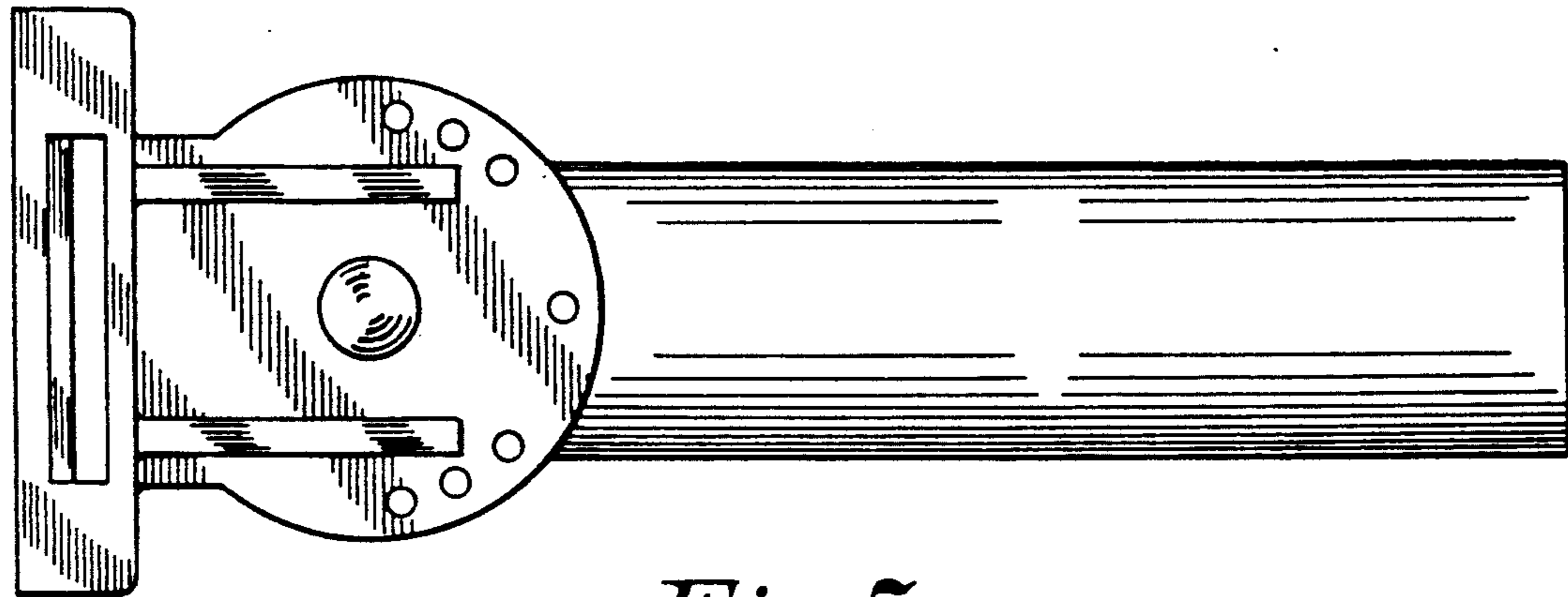


Fig. 5.

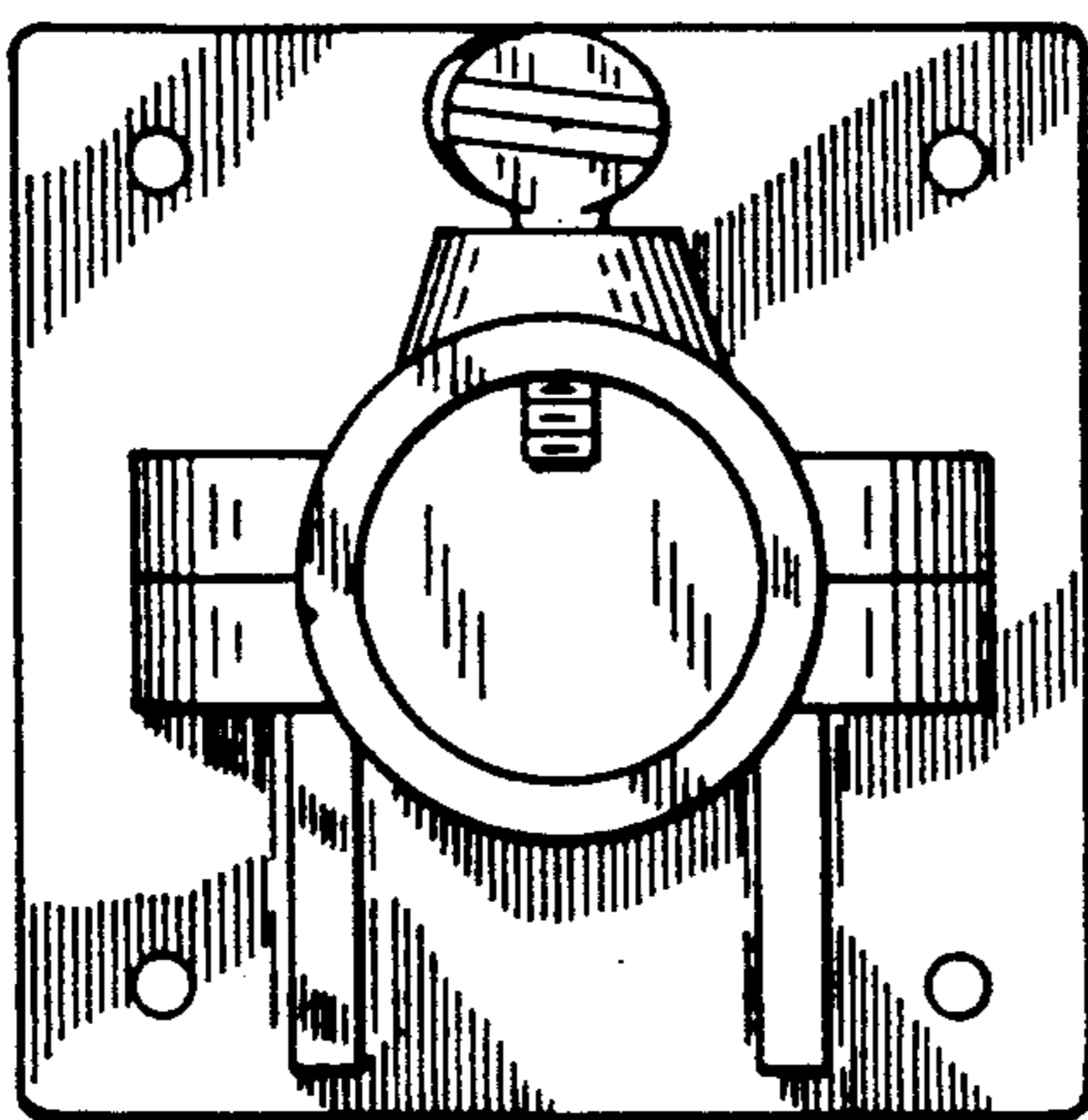


Fig. 6.

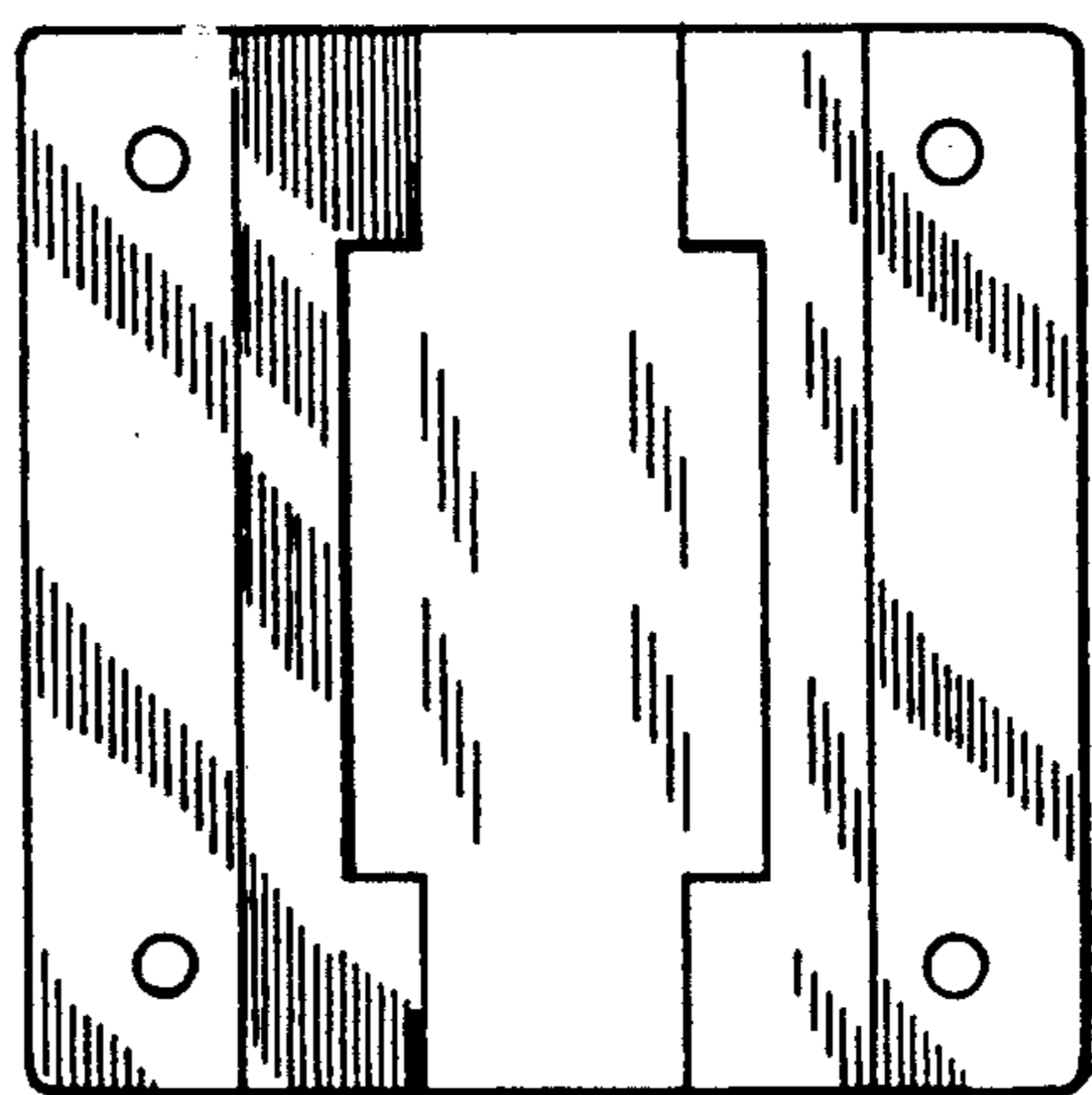


Fig. 7.

Fig. 8.

