



US00D340674S

United States Patent [19]

[11] Patent Number: **Des. 340,674**

Carlson

[45] Date of Patent: **** Oct. 26, 1993**

[54] **PLANTER**

[76] Inventor: **Arthur R. Carlson, 401A Waverley Rd., East Malvern, Victoria, Australia**

[**] Term: **14 Years**

[21] Appl. No.: **669,996**

[22] Filed: **Mar. 15, 1991**

[52] U.S. Cl. **D11/152**

[58] Field of Search **D11/143, 152, 164; D32/53; 47/66, 72, 79**

- 90288 4/1985 Australia .
- 90289 4/1985 Australia .
- 94178 9/1985 Australia .
- 94632 9/1985 Australia .
- 94633 9/1985 Australia .
- 98993 4/1987 Australia .
- 95997 5/1987 Australia .
- 96249 5/1987 Australia .
- 96250 5/1987 Australia .
- 97364 5/1987 Australia .
- 99707 5/1987 Australia .
- 15245 7/1976 New Zealand .
- 15246 7/1976 New Zealand .
- 15065 7/1977 New Zealand .
- 15178 10/1977 New Zealand .
- 15180 10/1977 New Zealand .
- 18581 11/1983 New Zealand .
- 18582 11/1983 New Zealand .

[56] **References Cited**

U.S. PATENT DOCUMENTS

- D. 110,286 6/1938 Krehbiel D11/152
- D. 242,161 11/1976 Dziewulki D11/152
- D. 255,555 6/1980 Smith D11/152
- D. 313,203 12/1990 Carlson D11/164
- D. 324,005 2/1992 Grosfillex D11/152

FOREIGN PATENT DOCUMENTS

- 69915 8/1978 Australia .
- 69505 6/1979 Australia .
- 78936 9/1979 Australia .
- 79915 12/1979 Australia .
- 79916 12/1979 Australia .
- 79917 12/1979 Australia .
- 81174 6/1980 Australia .
- 81777 8/1980 Australia .
- 81778 8/1980 Australia .
- 83115 1/1981 Australia .
- 83116 1/1981 Australia .
- 90136 11/1983 Australia .
- 90137 11/1983 Australia .
- 90138 11/1983 Australia .
- 90286 11/1983 Australia .
- 90287 11/1983 Australia .
- 90290 11/1983 Australia .
- 90291 11/1983 Australia .

OTHER PUBLICATIONS

The Luwara Plantsystem brochure; Jan. 1977, planters pp. 1-4.

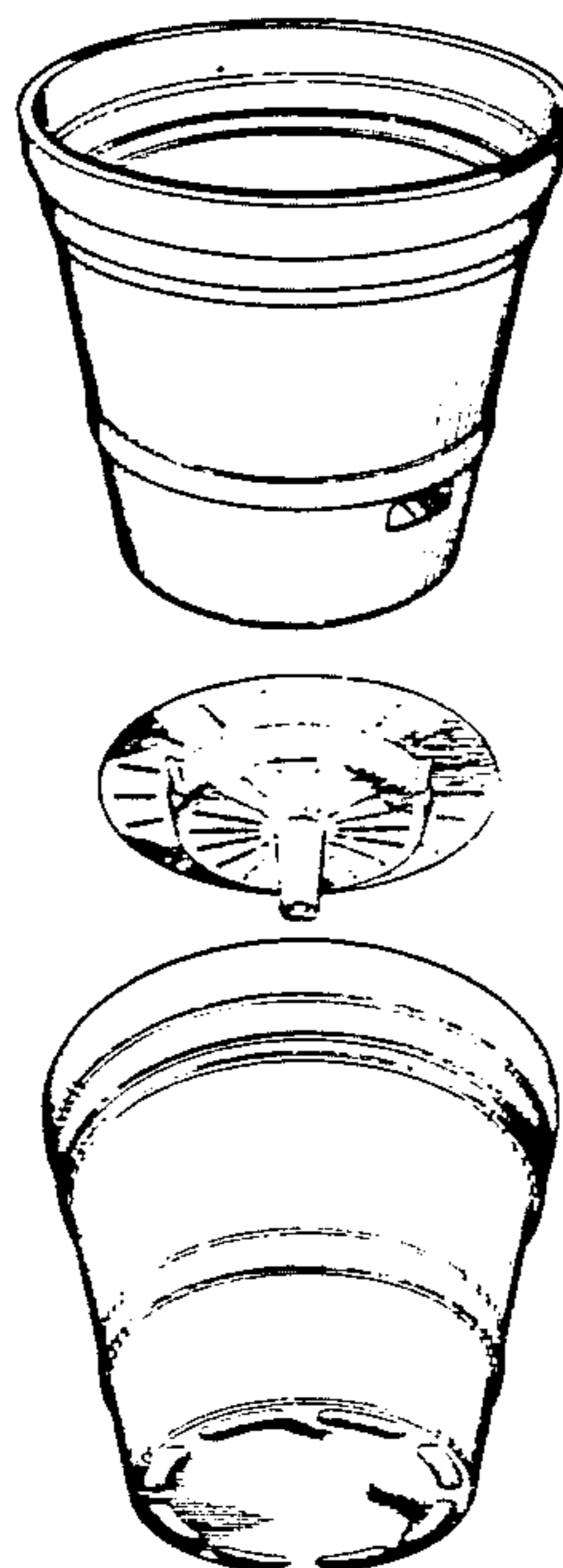
Primary Examiner—B. J. Bullock
Attorney, Agent, or Firm—Thompson, Hine and Flory

[57] **CLAIM**

The ornamental design for a planter, as shown.

DESCRIPTION

FIG. 1 is a perspective view of a planter of my design; FIG. 2 is a perspective view thereof from beneath; FIG. 3 is a top plan view thereof; FIG. 4 is a side elevational view thereof; FIG. 5 is bottom plan view thereof; FIG. 6 is a cross section thereof taken along line 6—6 in FIG. 3; FIG. 7 is an exploded perspective view thereof from above; and, FIG. 8 is an exploded perspective view thereof from beneath.



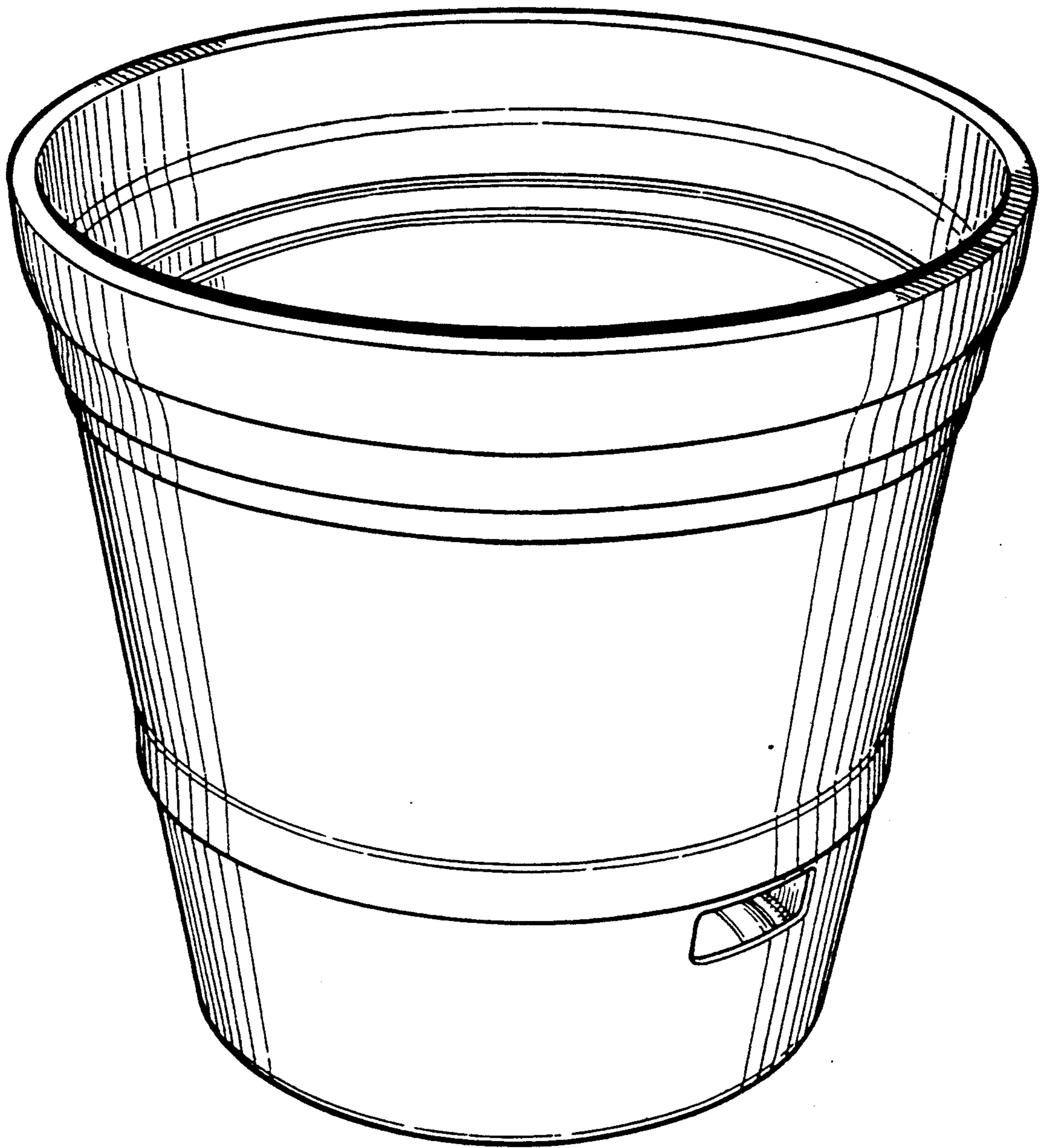


FIG. 1.

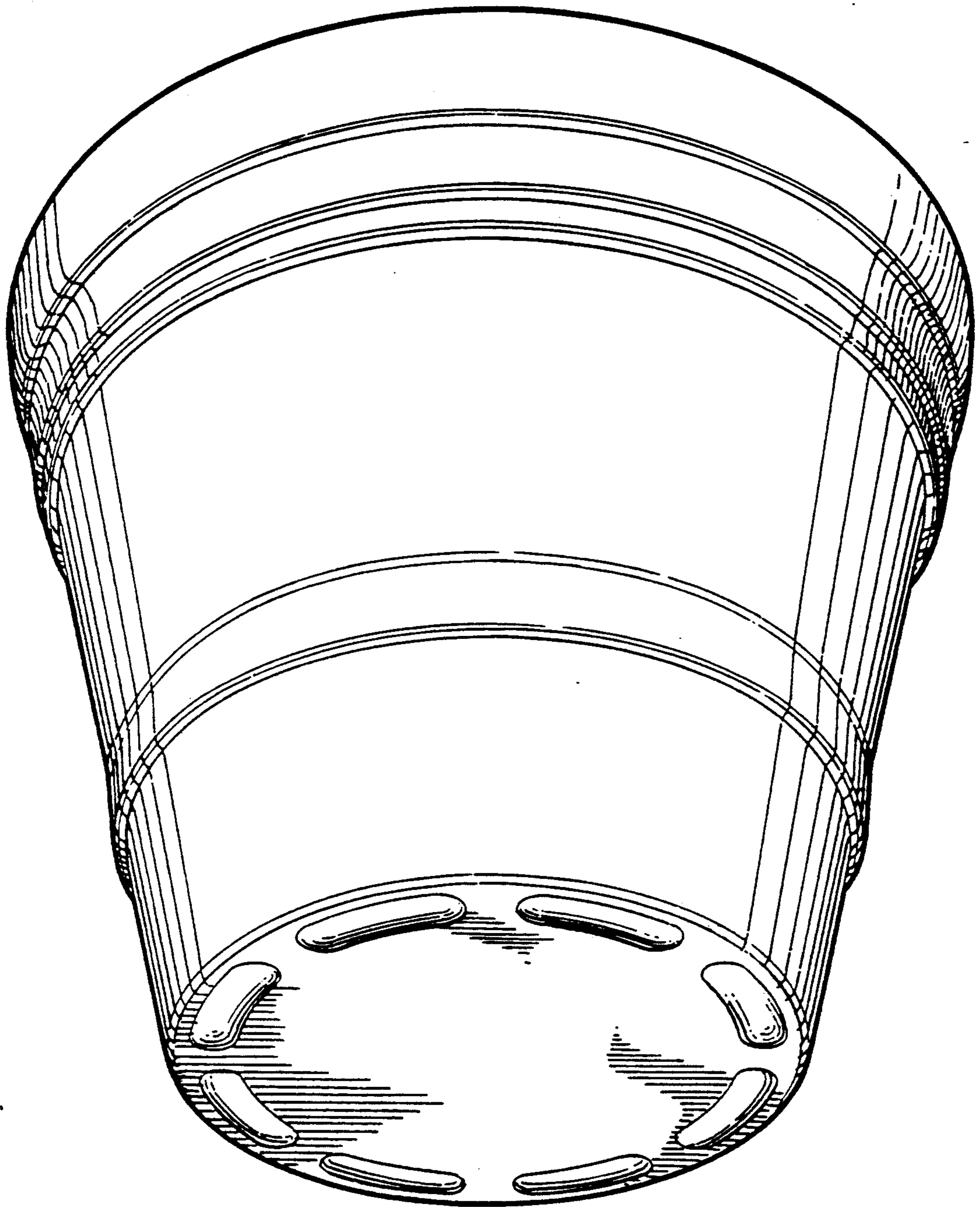


FIG. 2.

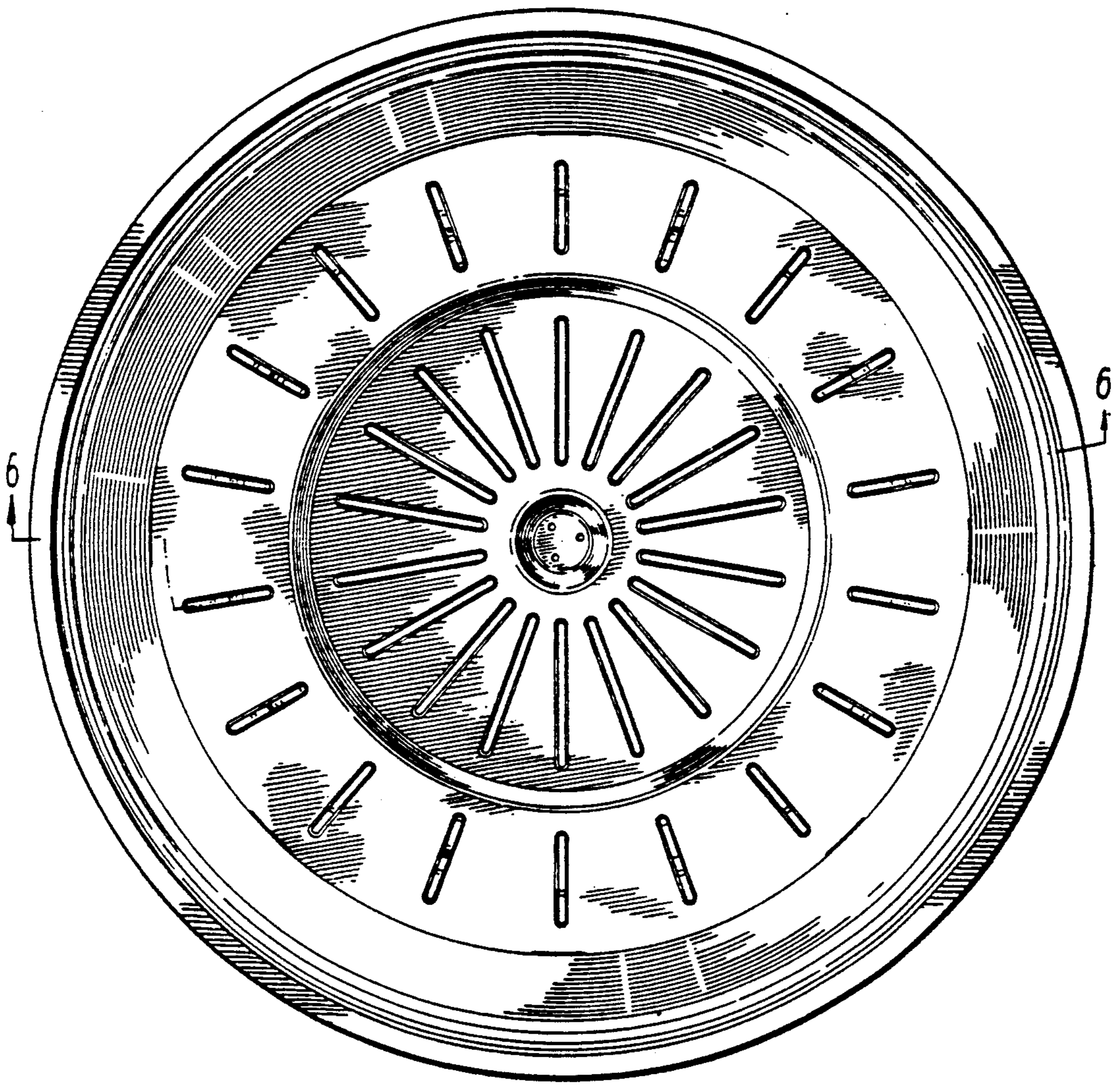


FIG. 3.

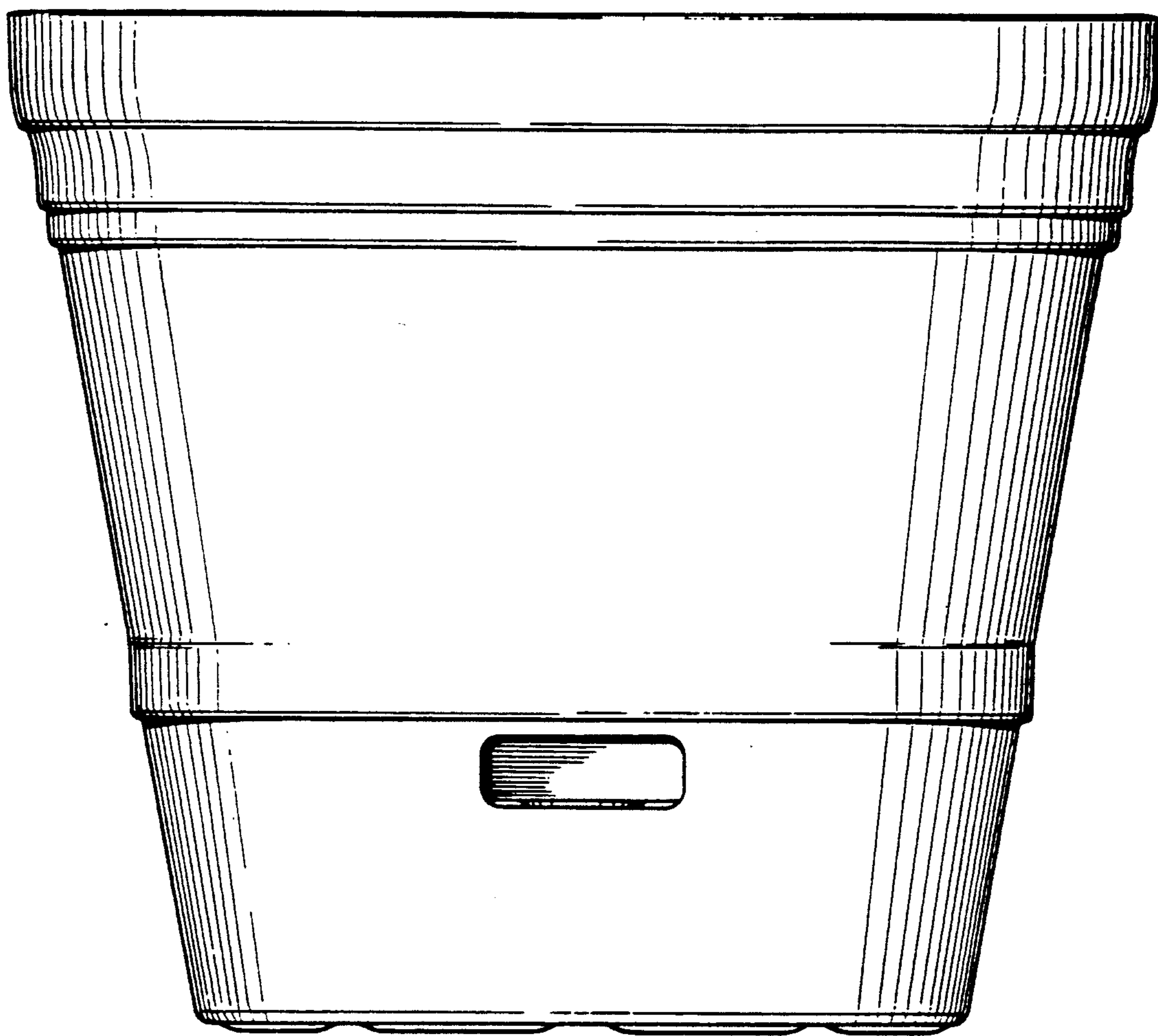


FIG. 4.



III. 5.

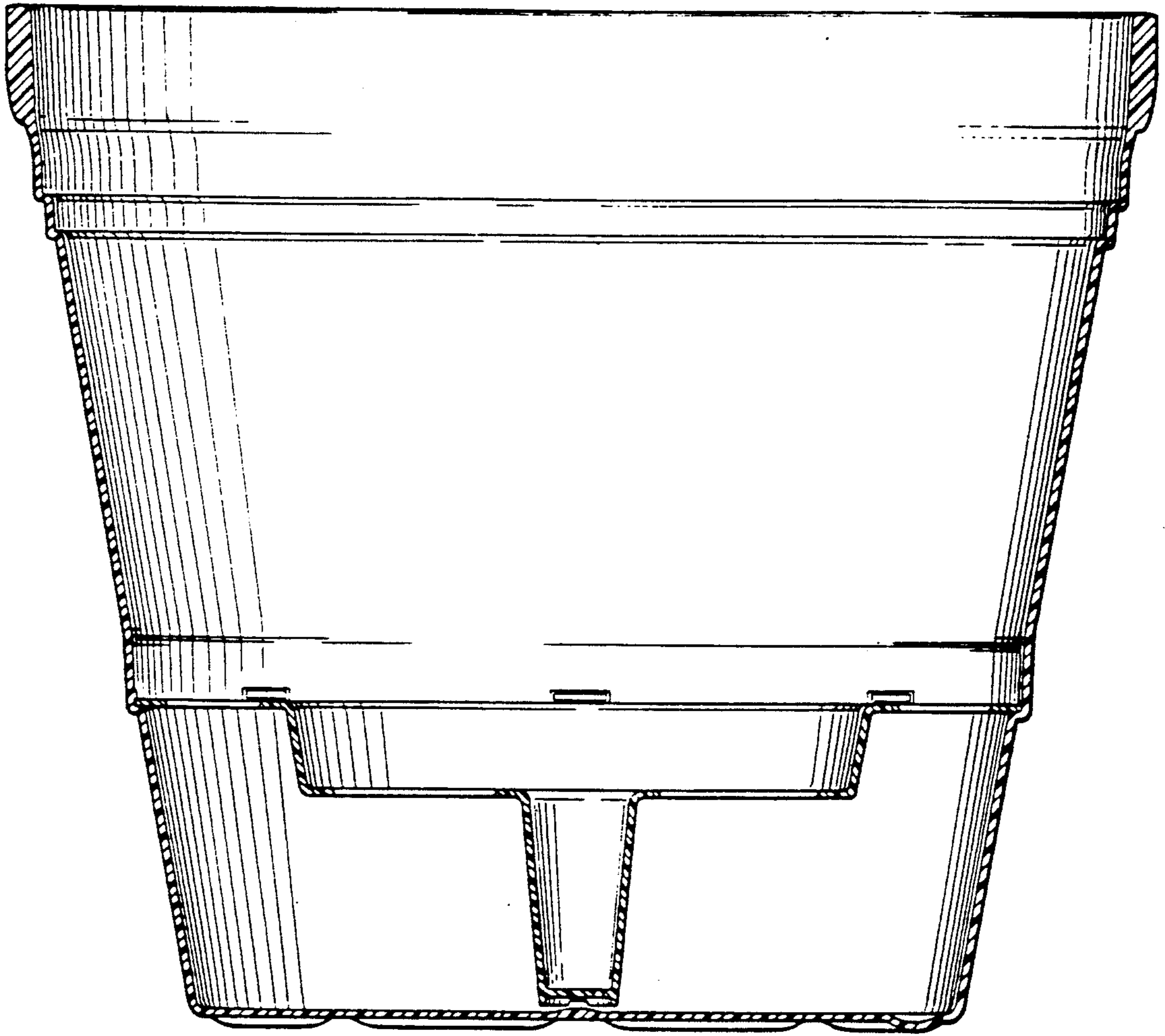
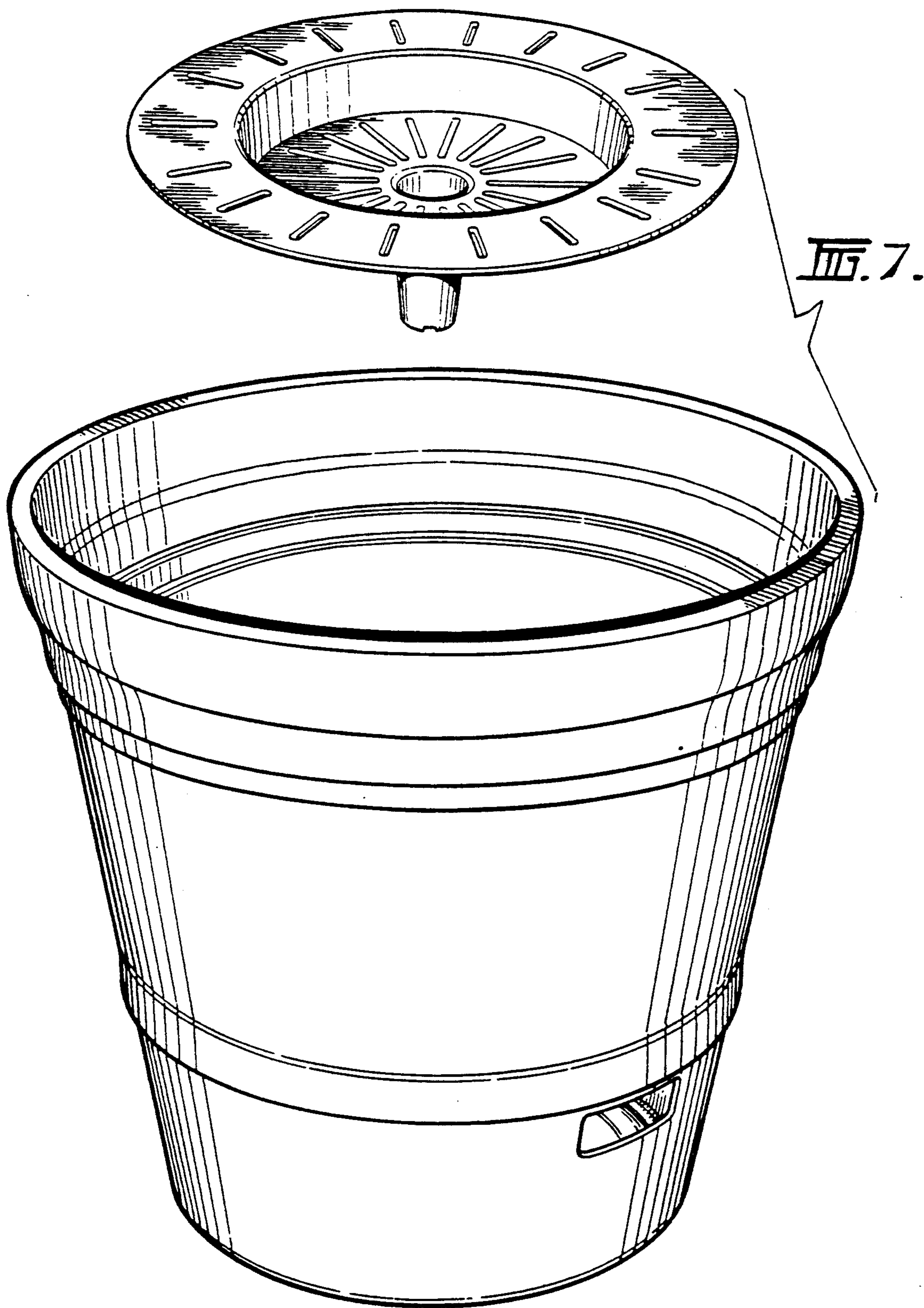


FIG. 6 .



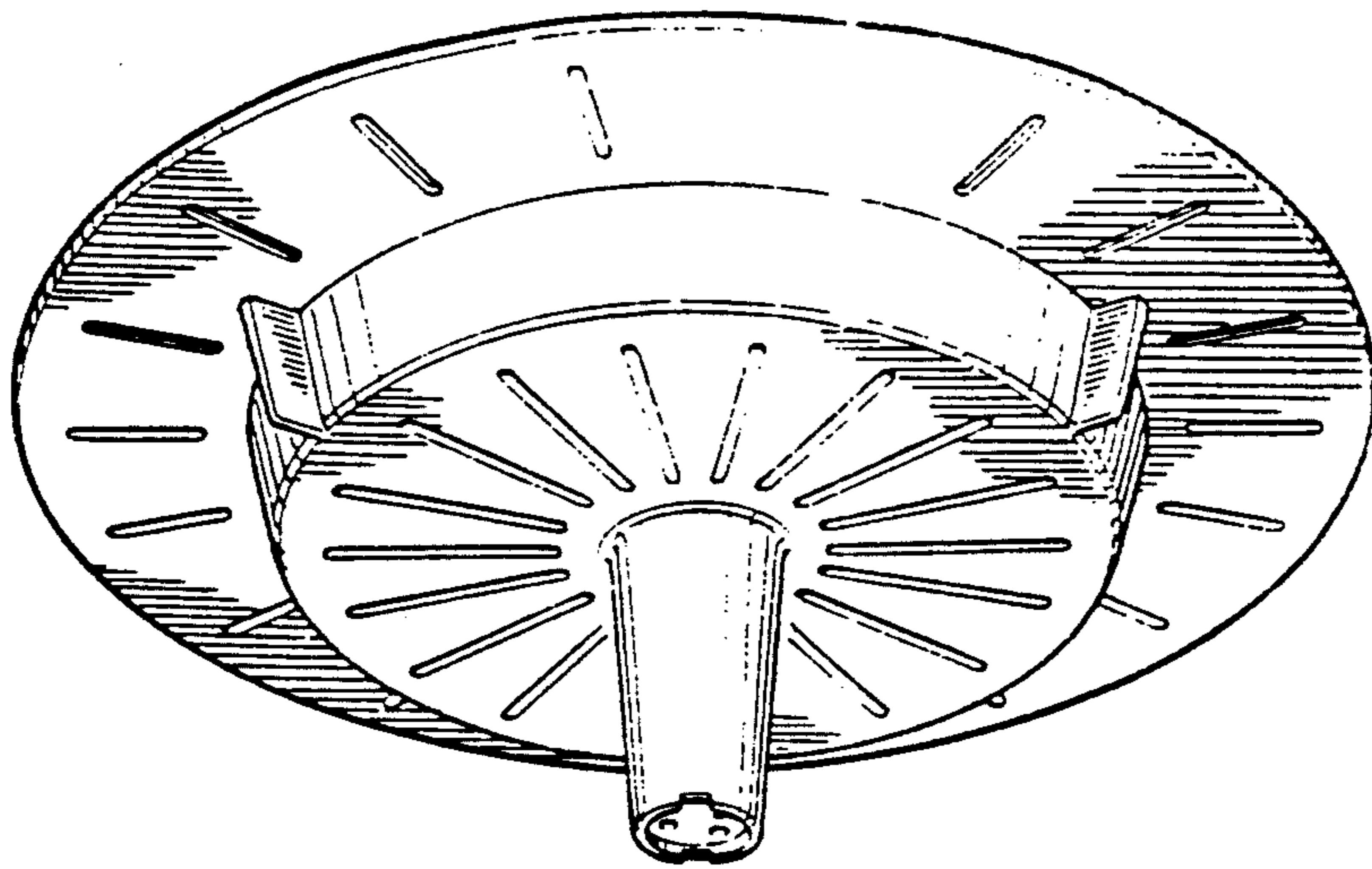


FIG. 8.

