



US00D340660S

United States Patent [19] Russell

[11] Patent Number: **Des. 340,660**

[45] Date of Patent: **** Oct. 26, 1993**

[54] CONTROL PANEL

[76] Inventor: **Larry R. Russell**, 6025 Edgemoor, Ste. C, Houston, Tex. 77081

[**] Term: **14 Years**

[21] Appl. No.: **817,412**

[22] Filed: **Jan. 6, 1992**

[52] U.S. Cl. **D10/123; D13/177**

[58] Field of Search **D10/102, 123; D13/162, D13/177; 174/50, 53, 58-60, 66, 77; 200/293, 294, 297, 302.1, 302.2, 333, 334; 220/3.2, 3.3, 241, 242; 361/331, 332, 390, 391, 392, 394**

[56] **References Cited**

U.S. PATENT DOCUMENTS

D. 193,005	6/1962	Bevilacque et al.	D13/177
D. 238,181	12/1975	Roller	D13/162
D. 287,005	12/1986	Newton	D13/162

OTHER PUBLICATIONS

Bebco Industries; Model 2001A-STD-LH; May 1989; p. 22; applicant provided.

Primary Examiner—Alan P. Douglas
Assistant Examiner—Antoine D. Davis
Attorney, Agent, or Firm—William A. Knox

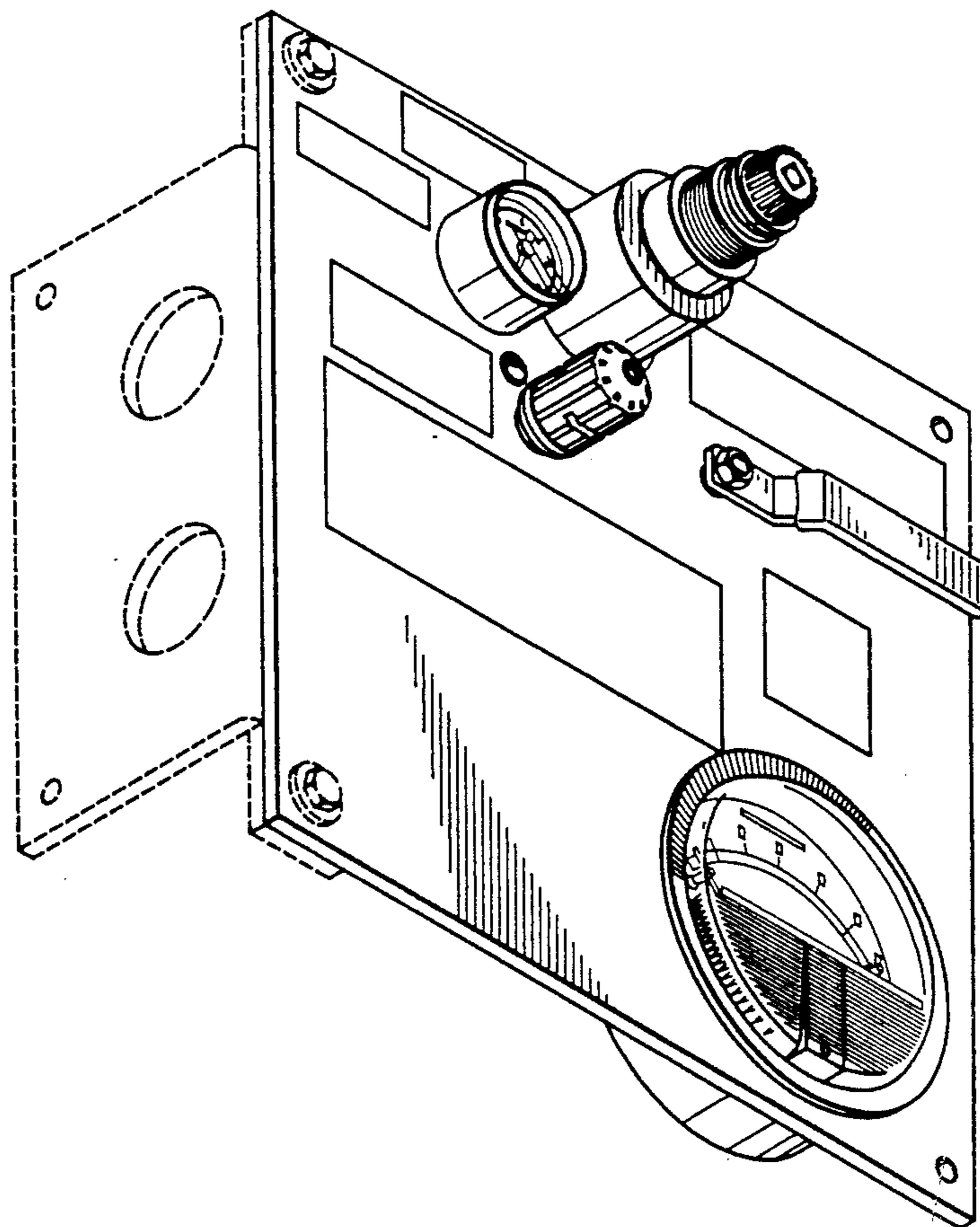
[57] **CLAIM**

The ornamental design for a control panel, as shown and described.

DESCRIPTION

FIG. 1 is a front perspective view; FIG. 2 is a rear perspective view; FIG. 3 is a front elevation; FIG. 4 is a right side elevation; FIG. 5 is an underside elevation; FIG. 6 is a left side elevation; FIG. 7 is a top elevation; and, FIG. 8 is a bottom elevation.

The structure shown in broken lines is not a part of the design but indicates the environmental structure on which the control panel may be mounted. The characteristic feature of the design resides in the aesthetic arrangement of the modules.



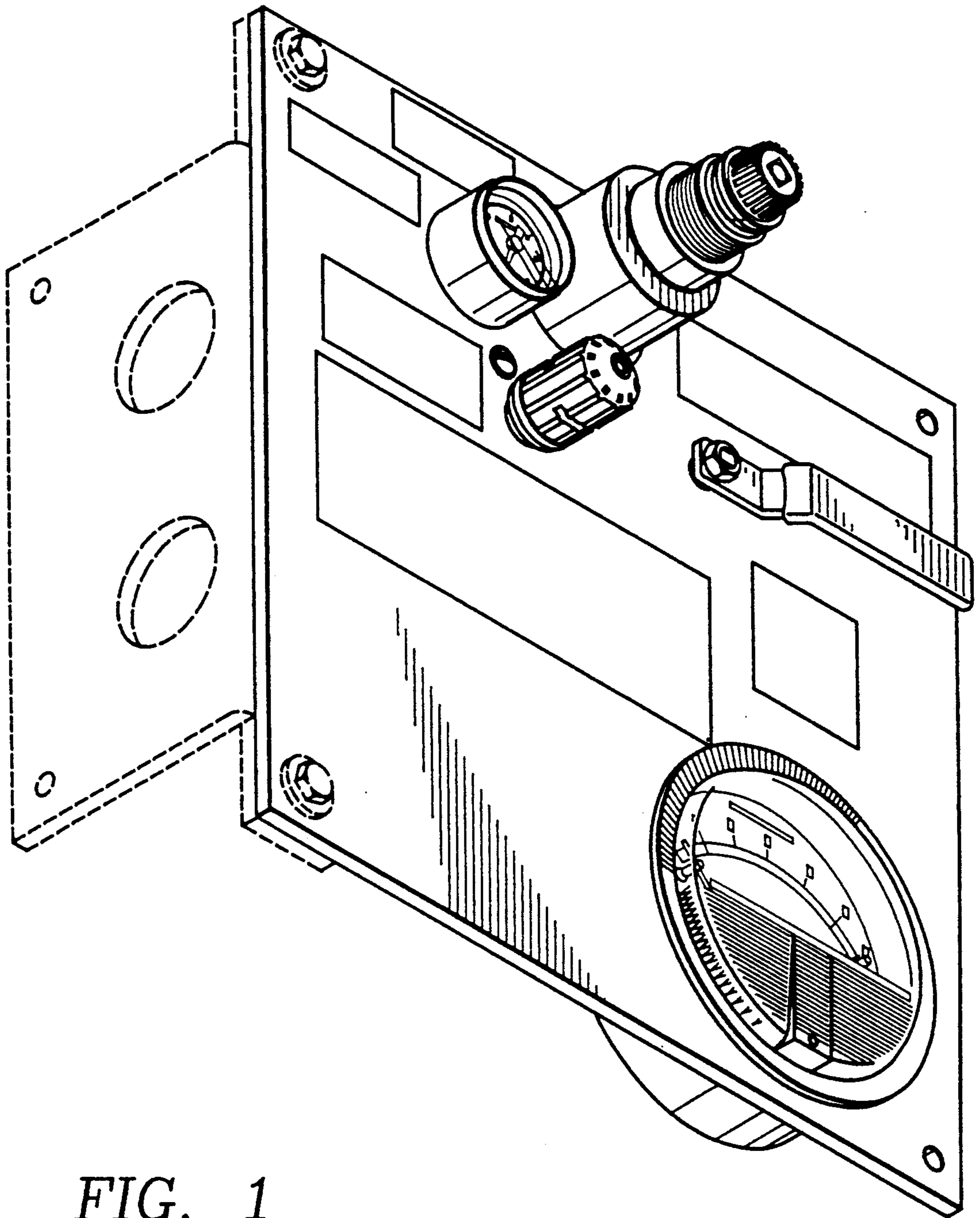


FIG. 1

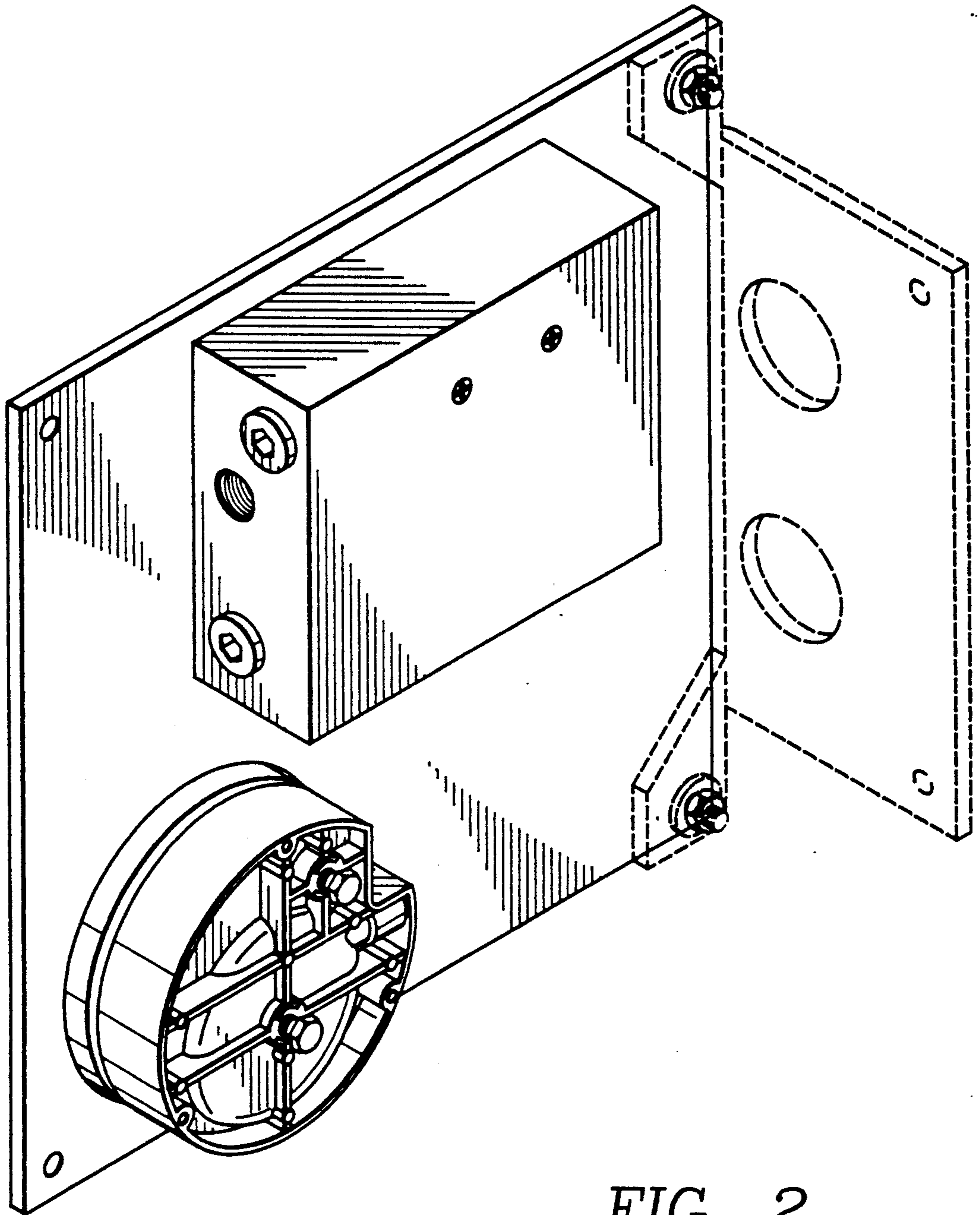


FIG. 2

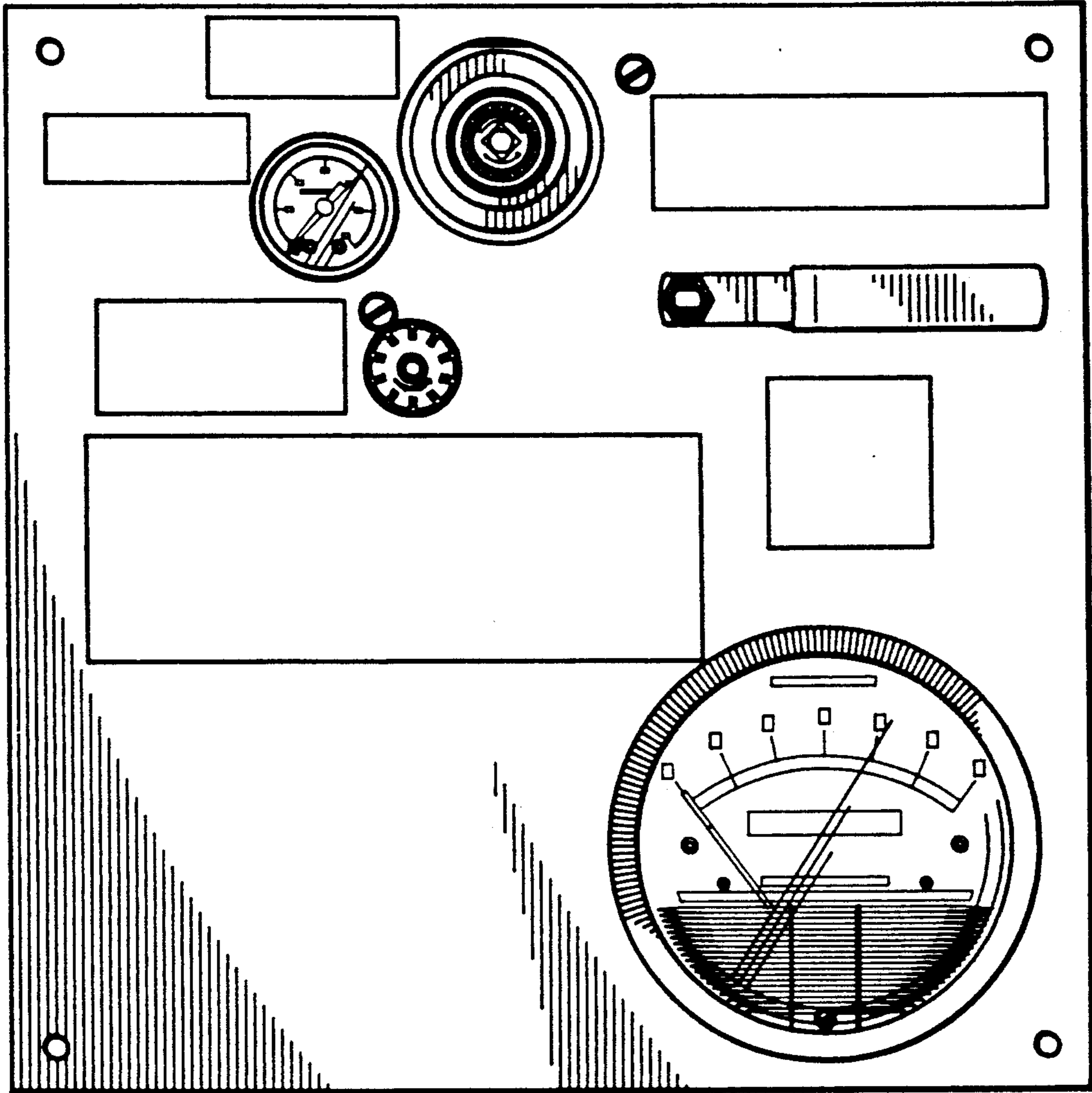


FIG. 3

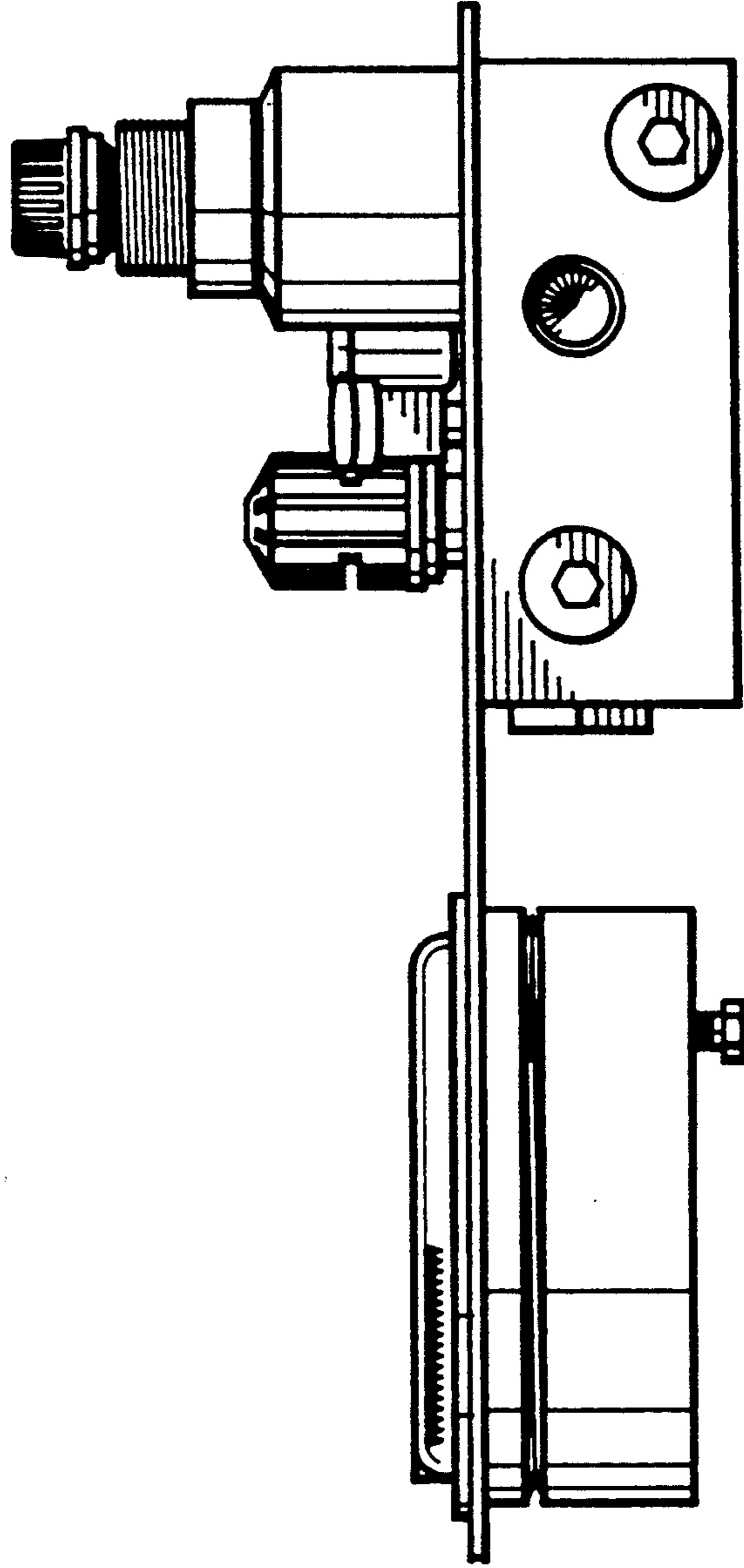


FIG. 4

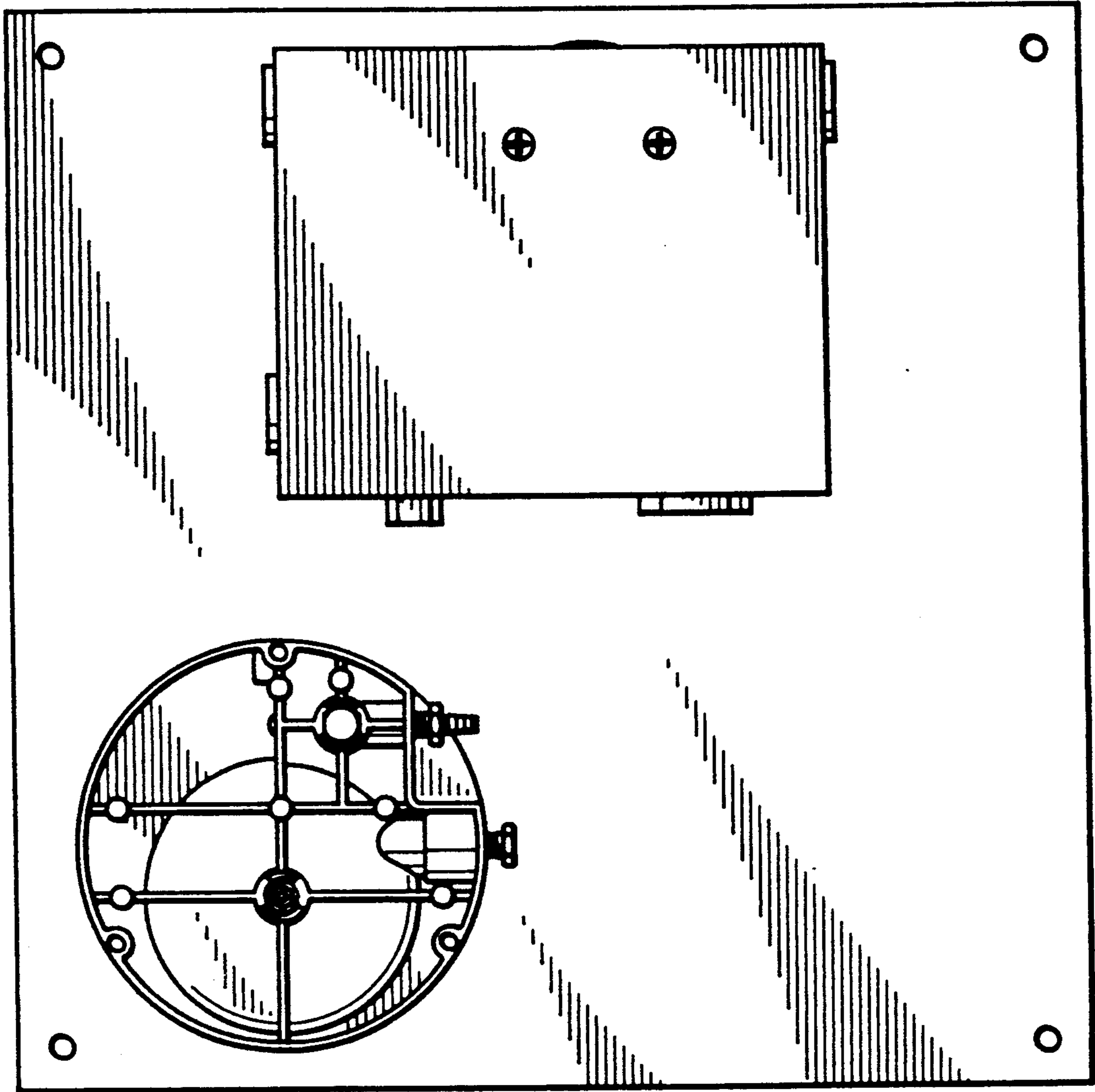


FIG. 5

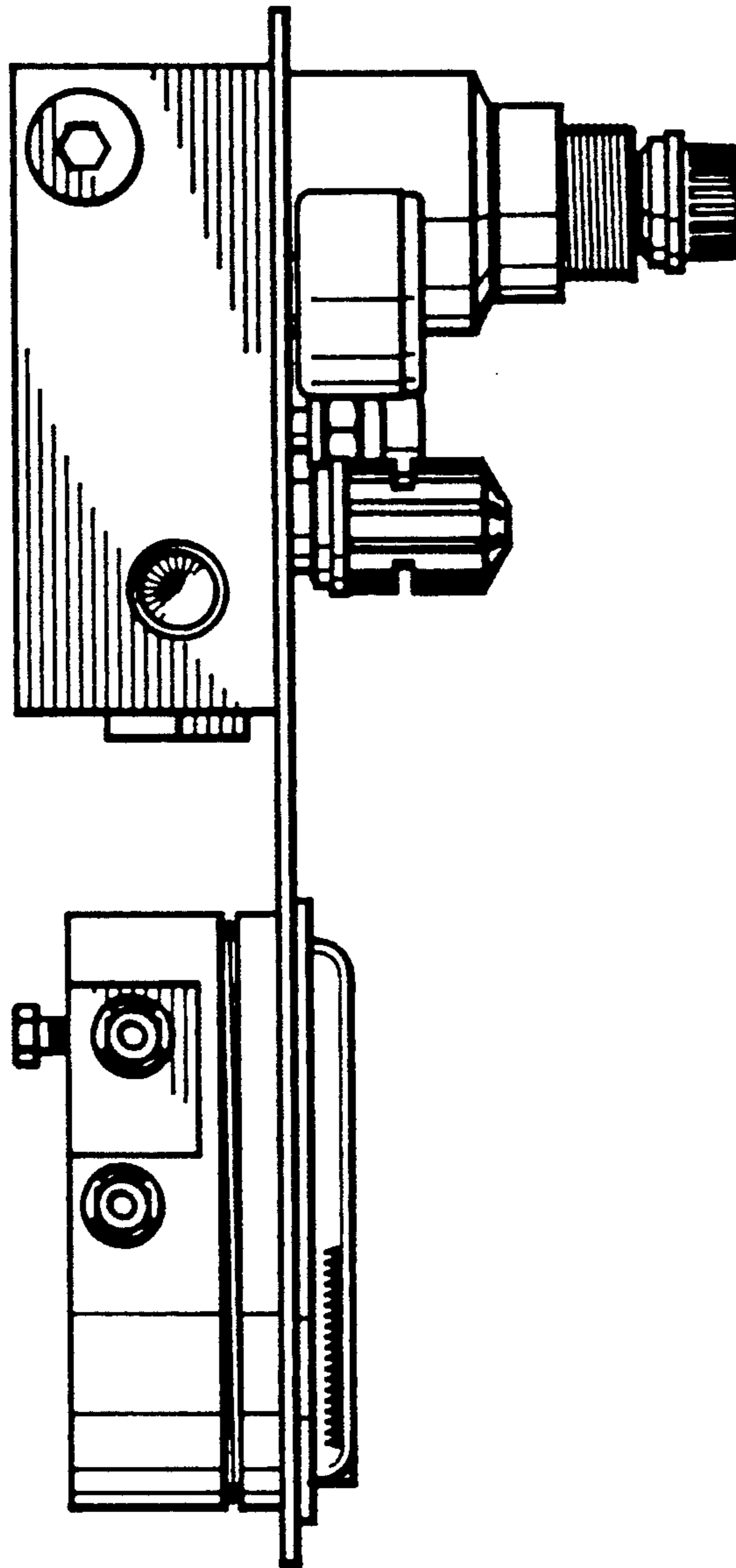


FIG. 6

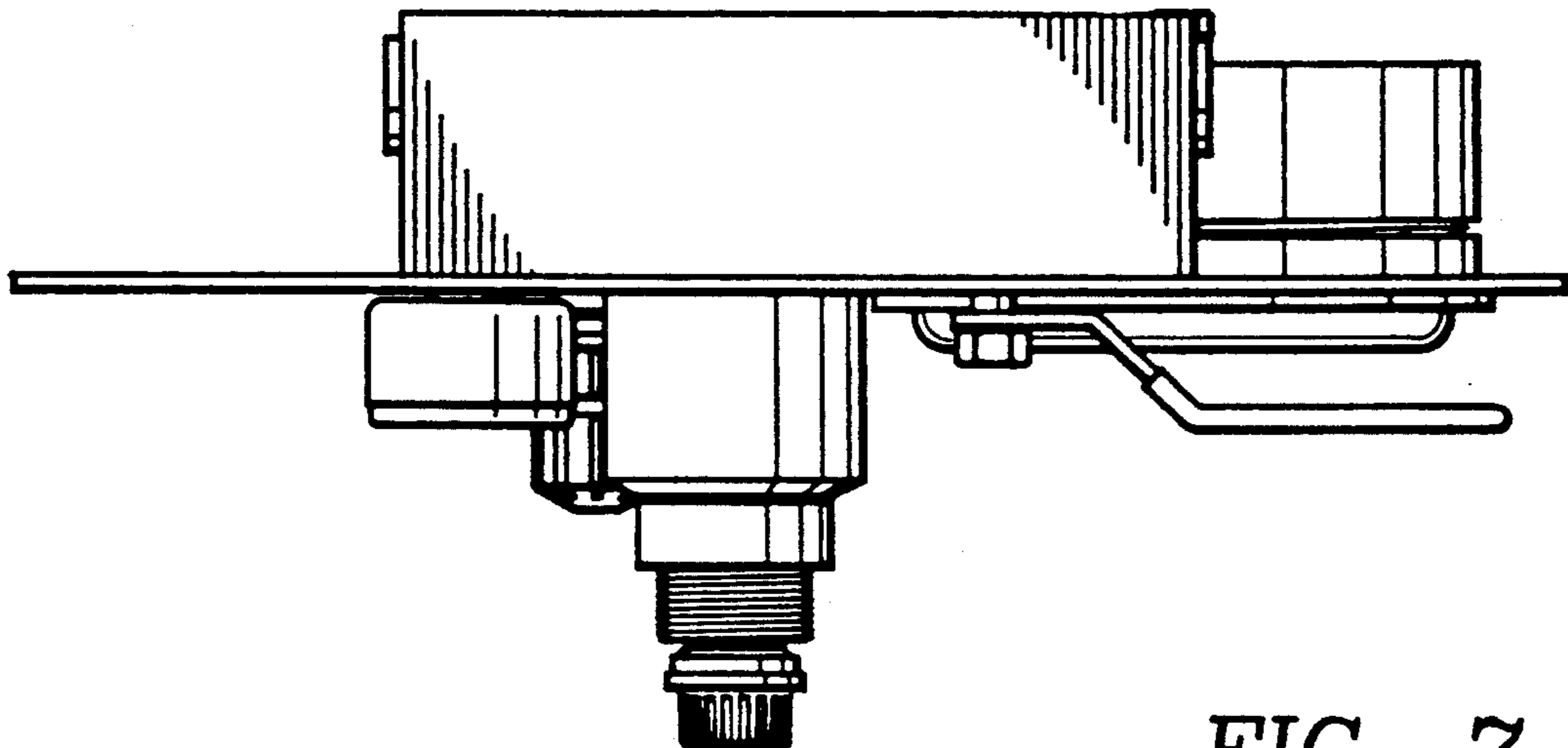


FIG. 7

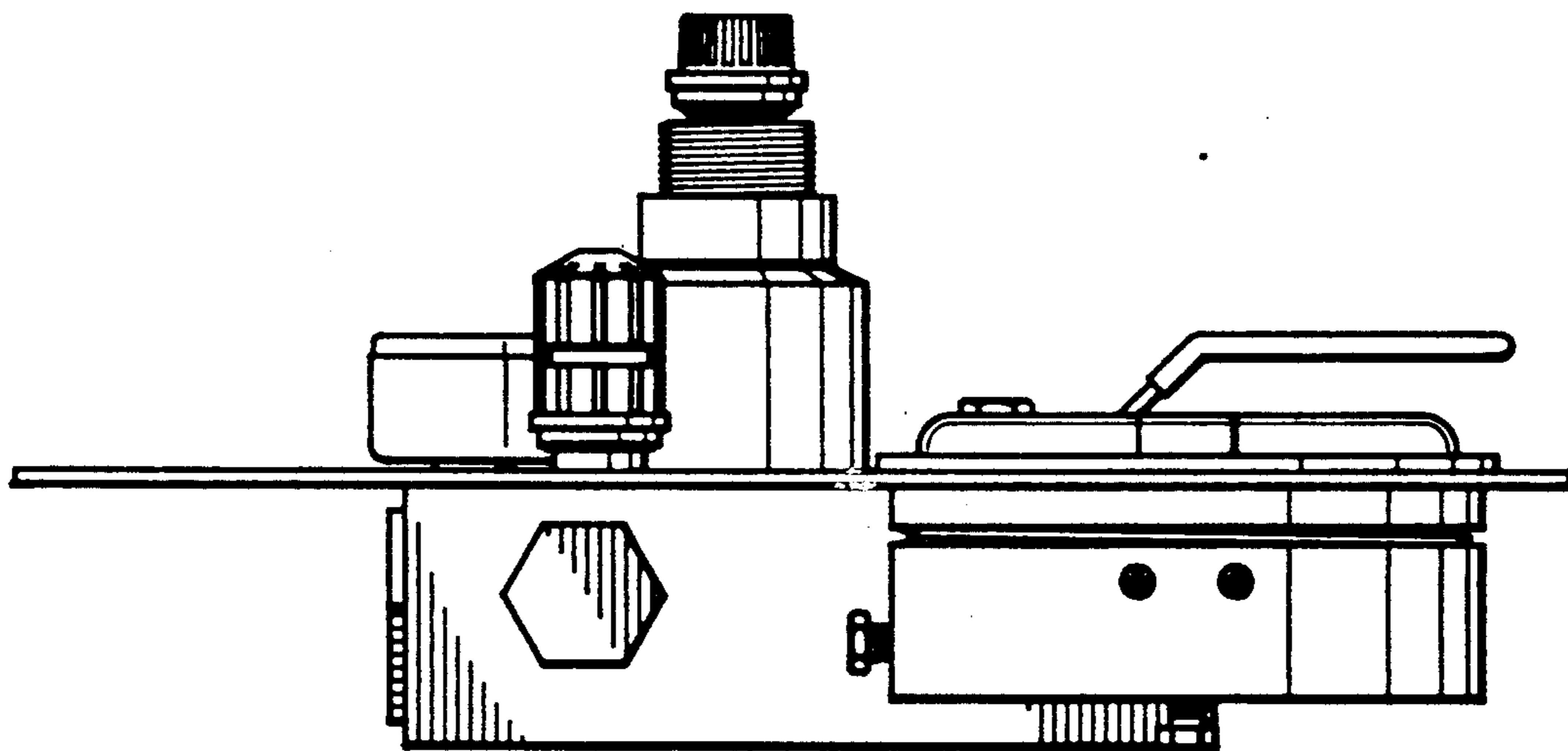


FIG. 8