



US00D340655S

United States Patent [19]

[11] **Patent Number: Des. 340,655**

Rao

[45] **Date of Patent: ** Oct. 26, 1993**

[54] **COMBINED X-RAY QUALITY ASSURANCE TEST PHANTOM AND SUPPORT STAND**

[57] **CLAIM**

[76] **Inventor: Gopala U. Rao, 6 Stardust Ct., Baltimore County, Catonsville, Md. 21228-5462**

The ornamental design for a combined x-ray quality assurance test phantom and support stand, as shown and described.

[**] **Term: 14 Years**

DESCRIPTION

[21] **Appl. No.: 699,568**

FIG. 1 is a perspective view of a combined x-ray quality assurance test phantom and support stand showing my new design;

[22] **Filed: May 14, 1991**

FIG. 2 is a top plan view thereof;

[52] **U.S. Cl. D10/75**

FIG. 3 is a side elevational view thereof, with all other sides being identical to that shown;

[58] **Field of Search D24/158; 378/193, 204, 378/208, 207, 18; D10/65, 61, 46, 75**

FIG. 4 is a bottom plan view thereof;

[56] **References Cited**

U.S. PATENT DOCUMENTS

- 4,649,561 3/1987 Arnold 378/207
- 4,818,943 4/1989 Chandra 378/207 X
- 5,083,920 1/1992 Molteni et al. 378/207 X

FIG. 5 is a perspective view of the support stand with one tube shown fragmented for ease of illustration;

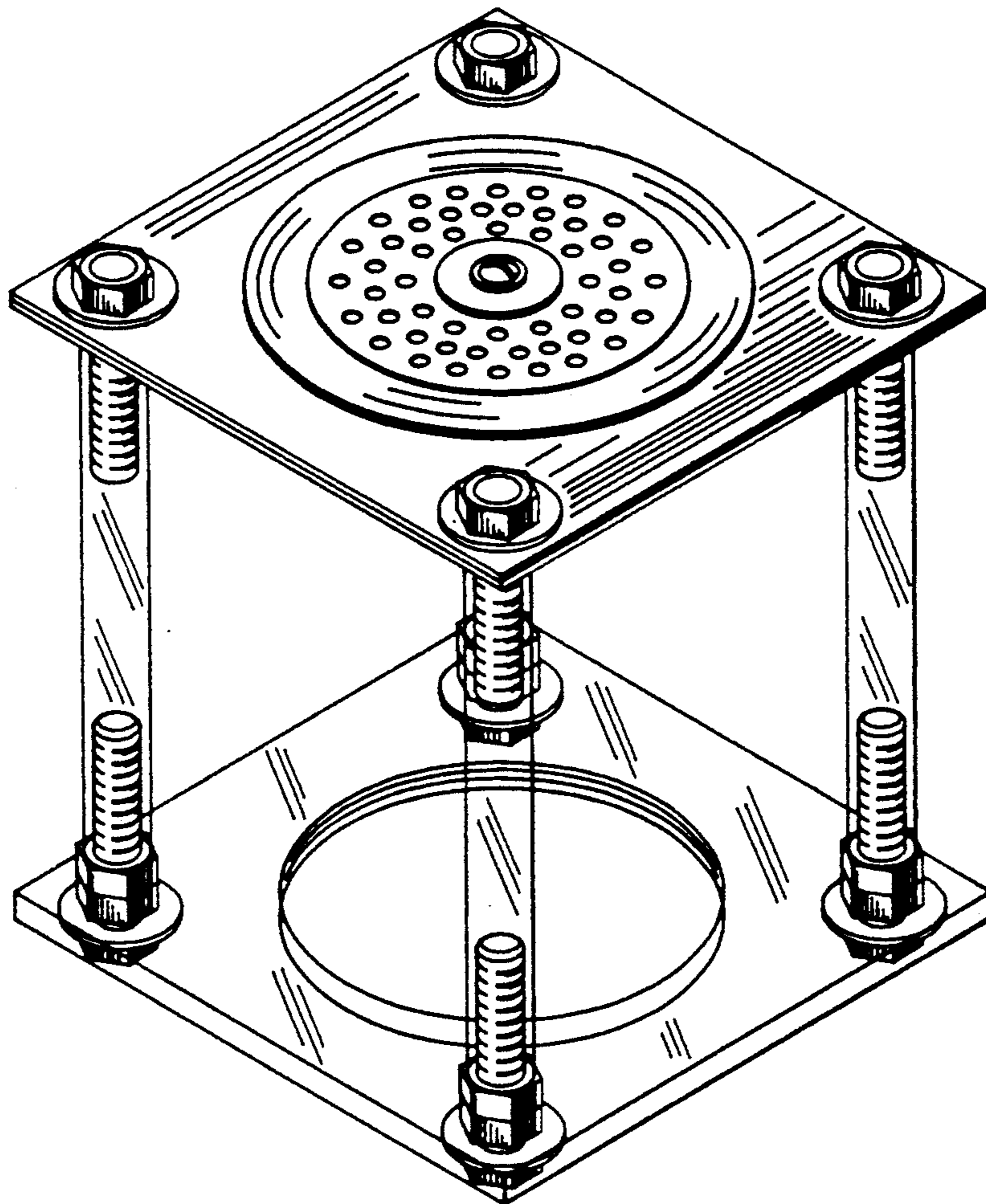
FIG. 6 is a side elevational view thereof, with all other sides being identical to that shown;

FIG. 7 is a top plan view thereof;

FIG. 8 is a bottom plan view thereof; and,

FIG. 9 is a perspective view of the test phantom and support stand in assembled condition with the protective caps on the test phantom removed.

Primary Examiner—Stella Reid



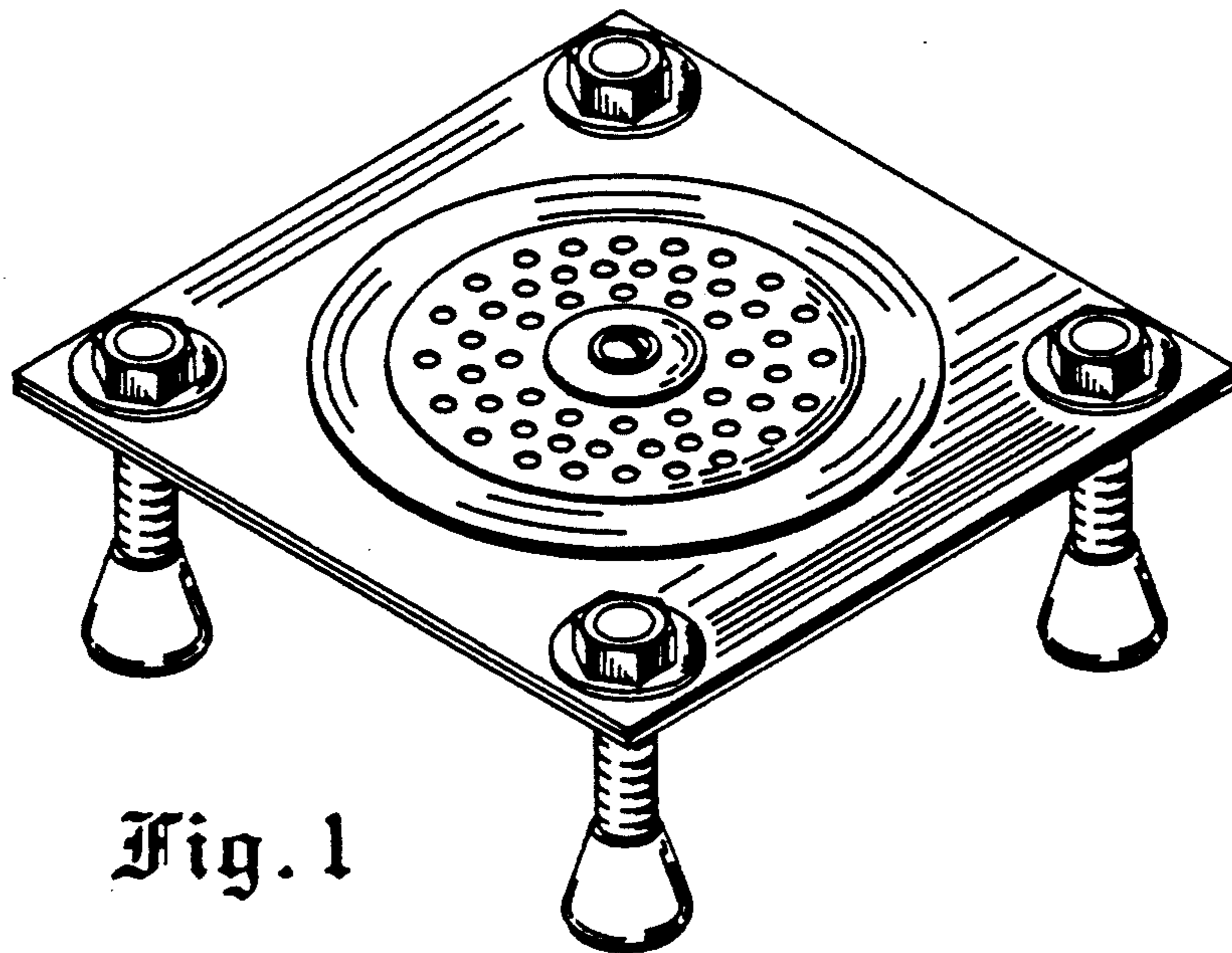


Fig. 1

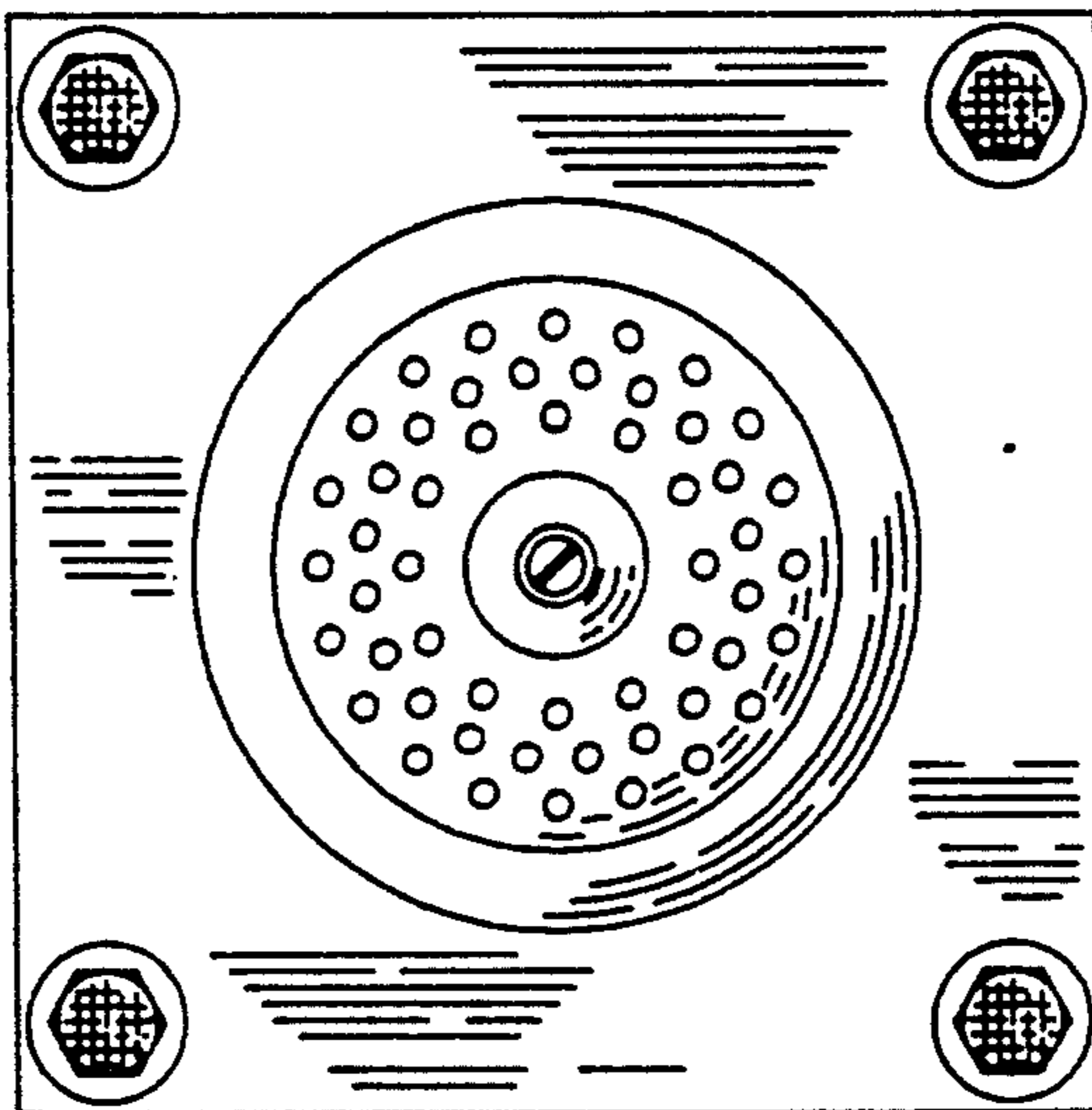
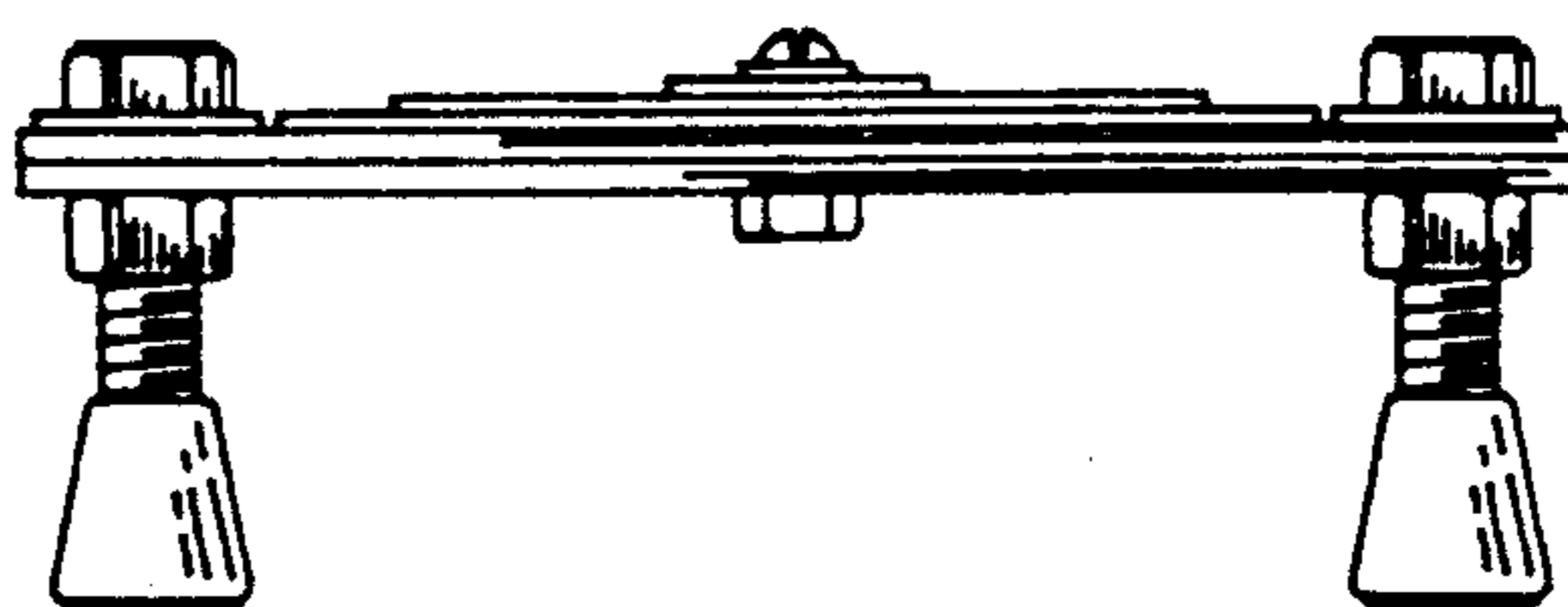


Fig. 2

Fig. 3



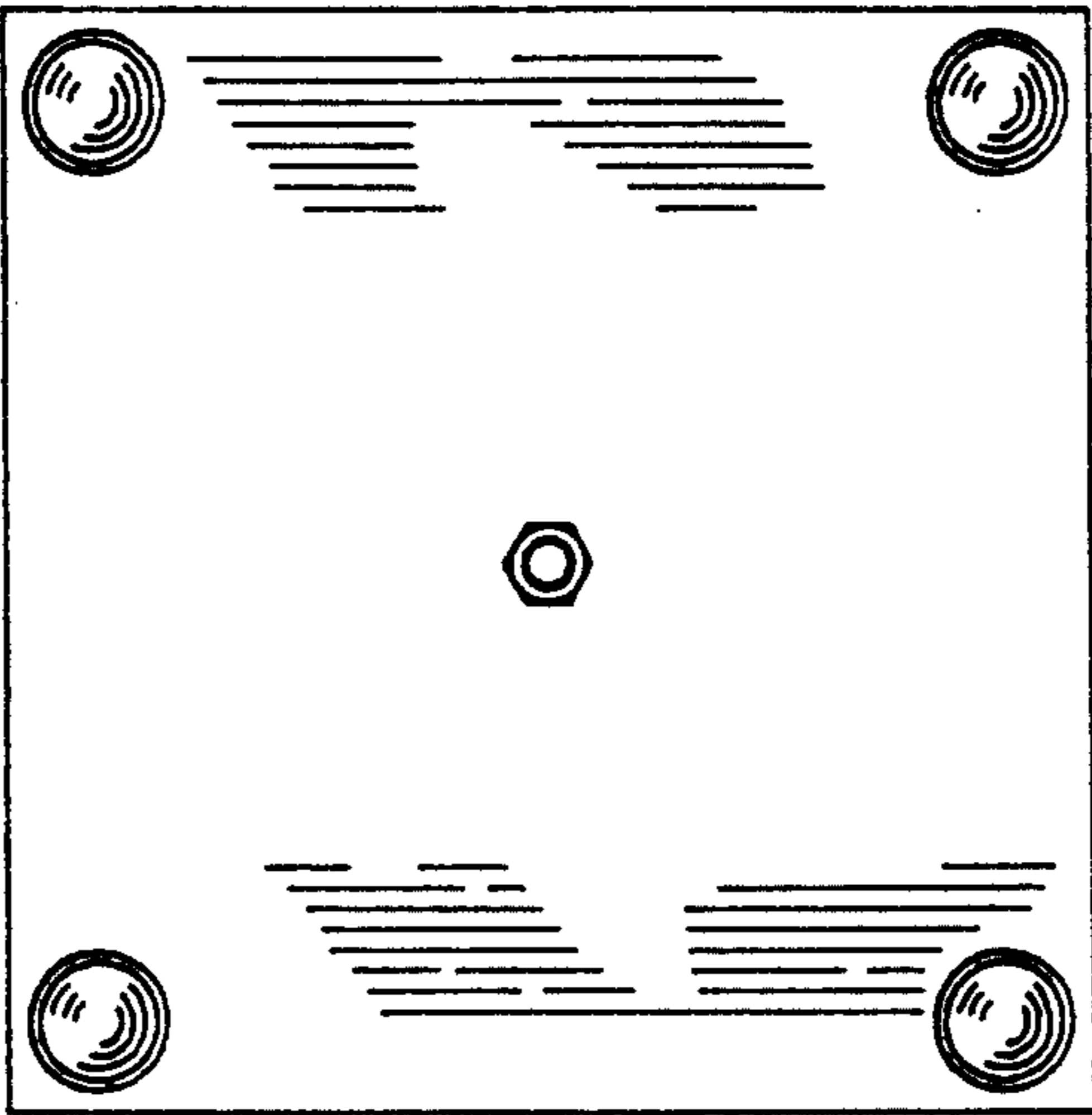


Fig. 4

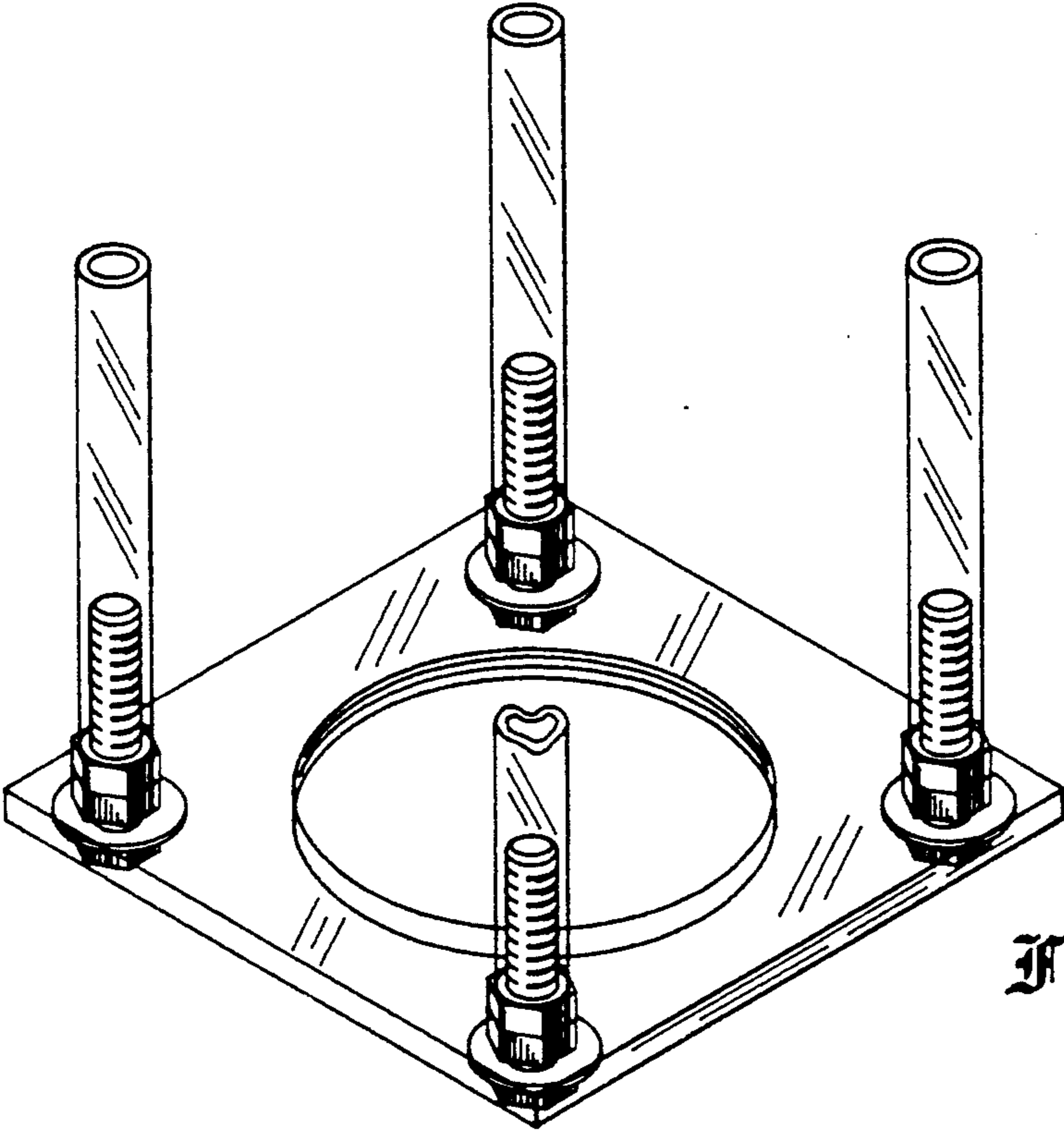
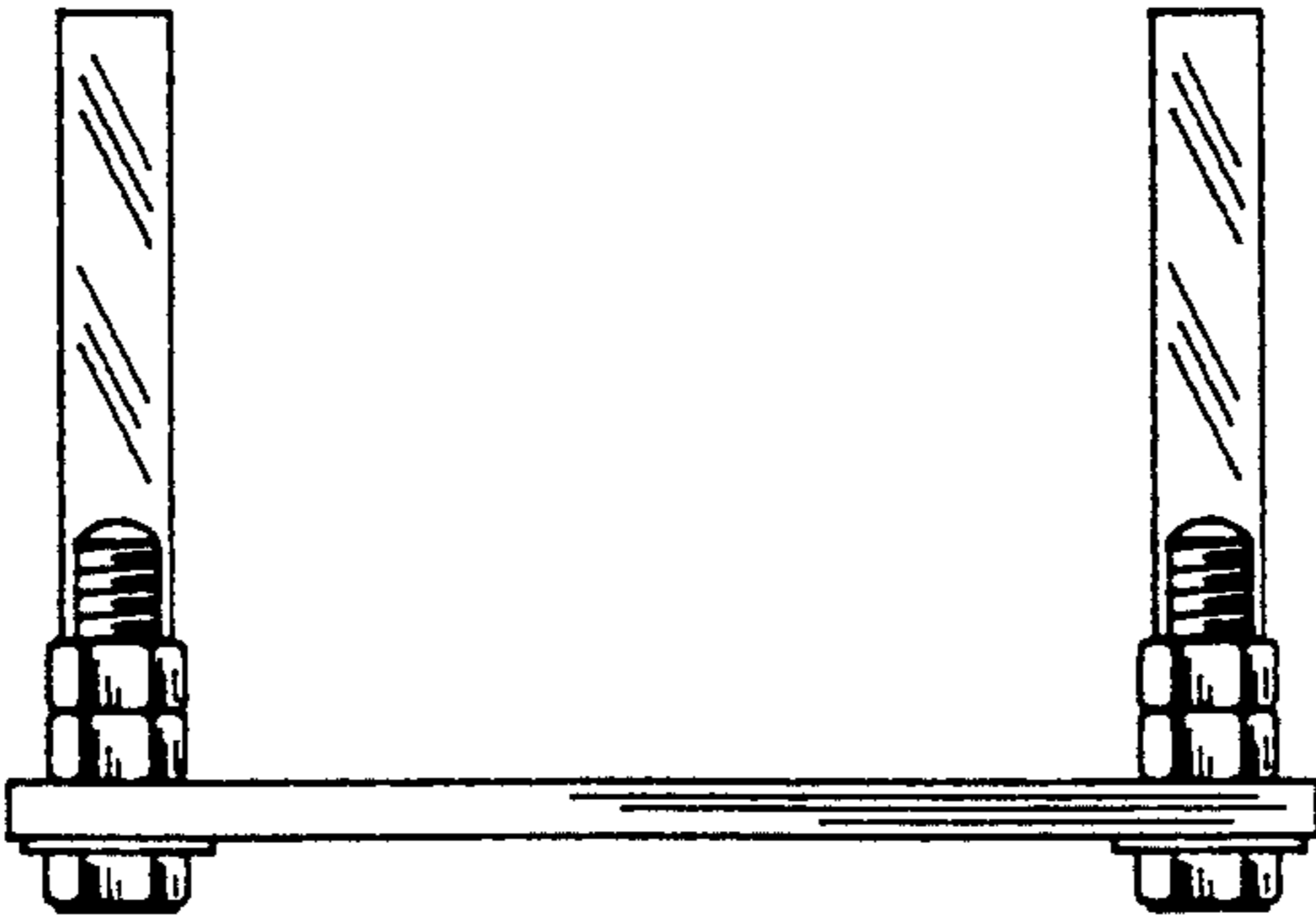


Fig. 5

Fig. 6



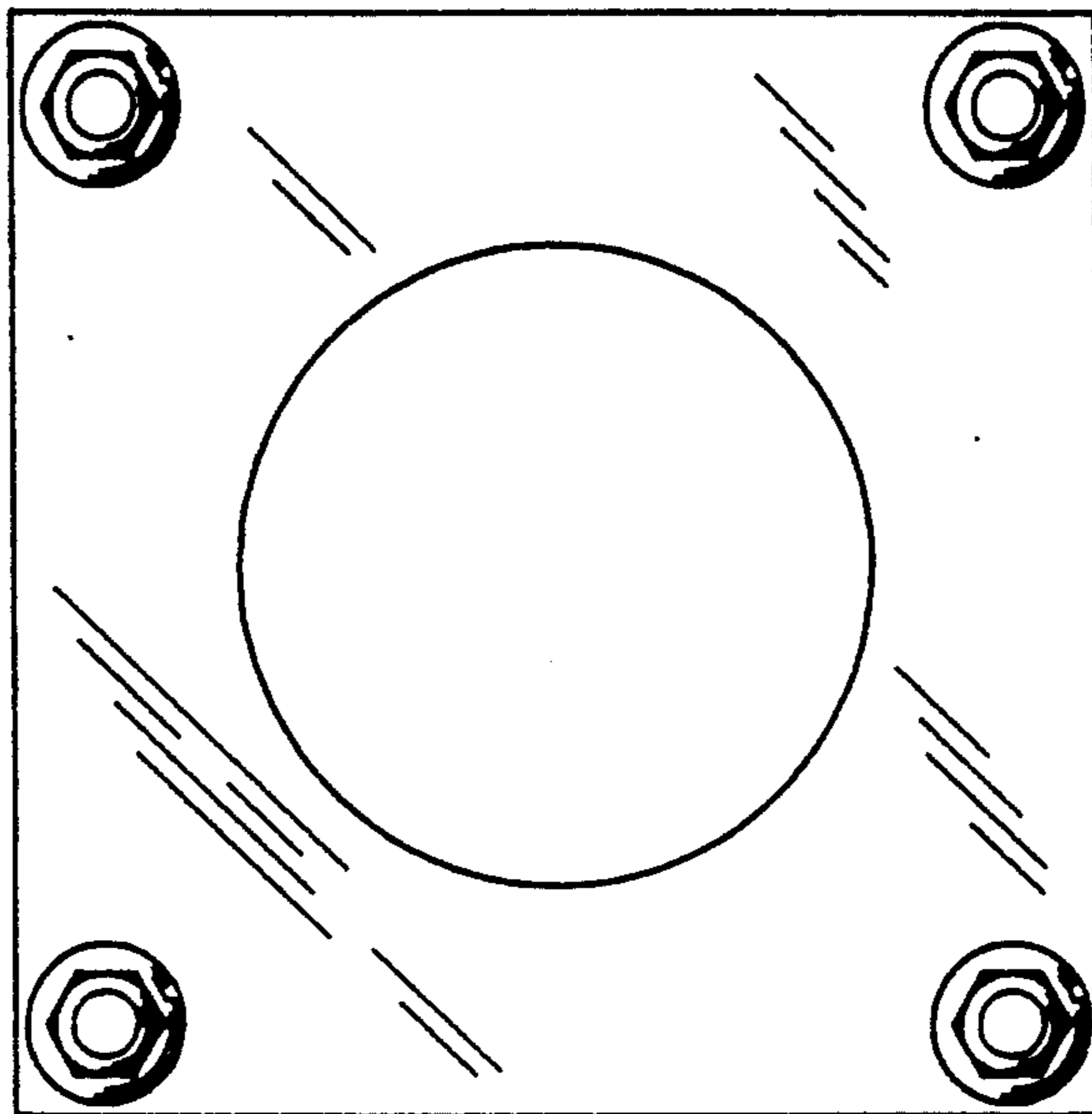


Fig. 7

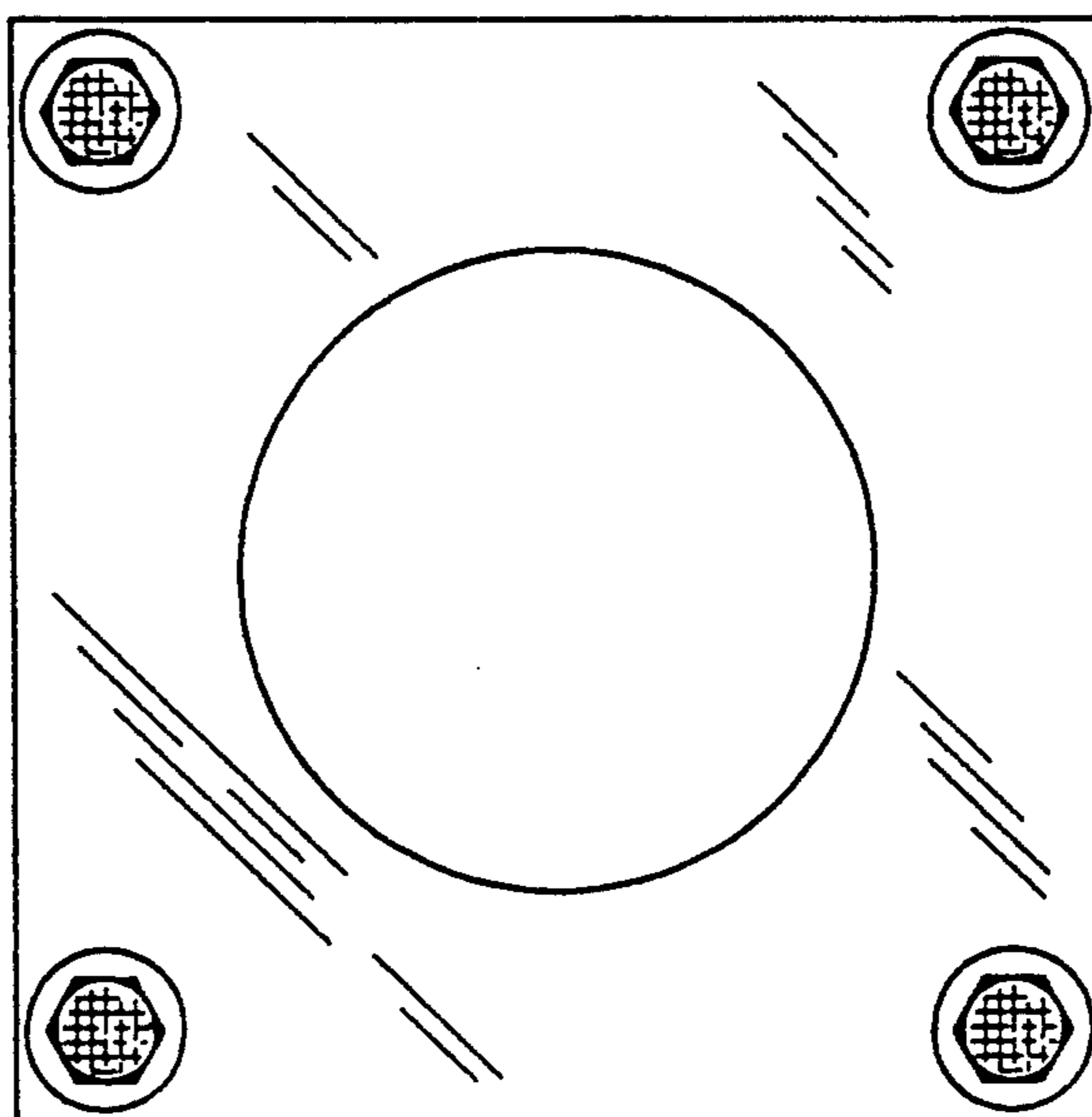


Fig. 8

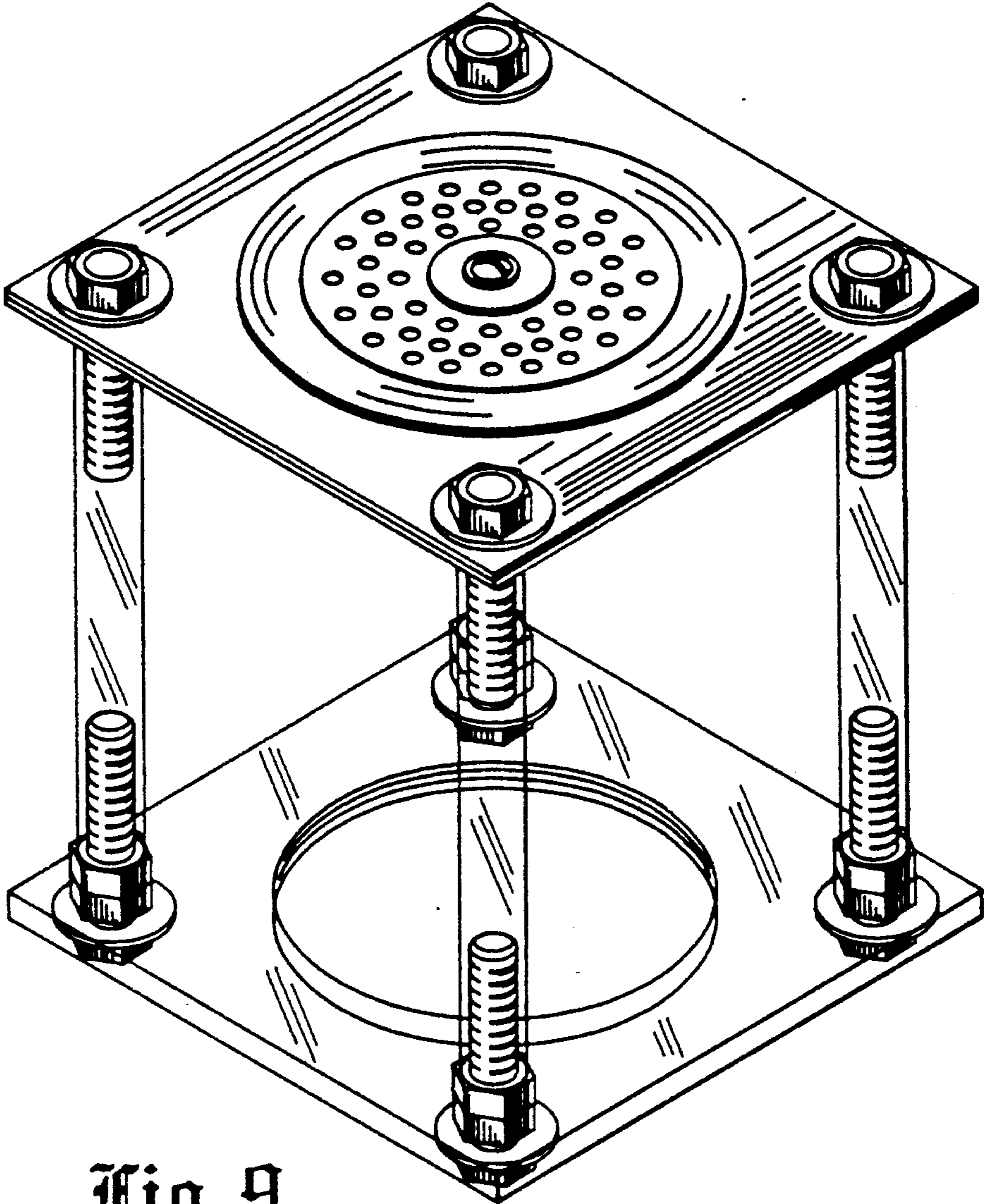


Fig. 9