



US00D340653S

United States Patent [19]

[11] Patent Number: **Des. 340,653**

Cukon

[45] Date of Patent: **** Oct. 26, 1993**

[54] **GOLF CLUB ADJUSTING MACHINE FOR METAL AND WOOD SHAFTS**

4,640,017 2/1987 Cukon D10/65 X

[76] Inventor: **Viktor Cukon**, 1902 Golden Circle Dr., Escondido, Calif. 92026

Primary Examiner—Alan P. Douglas
Assistant Examiner—Antoine D. Davis
Attorney, Agent, or Firm—Lewis E. Massie

[**] Term: **14 Years**

[57] **CLAIM**

[21] Appl. No.: **680,273**

The ornamental design for a golf club adjusting machine for metal and wood shafts, as shown and described.

[22] Filed: **Apr. 4, 1991**

[52] U.S. Cl. **D10/65**

[58] Field of Search **D10/46, 64, 65, 60;**
D21/215, 234; 33/282, 283, 334, 370, 374, 508;
72/293

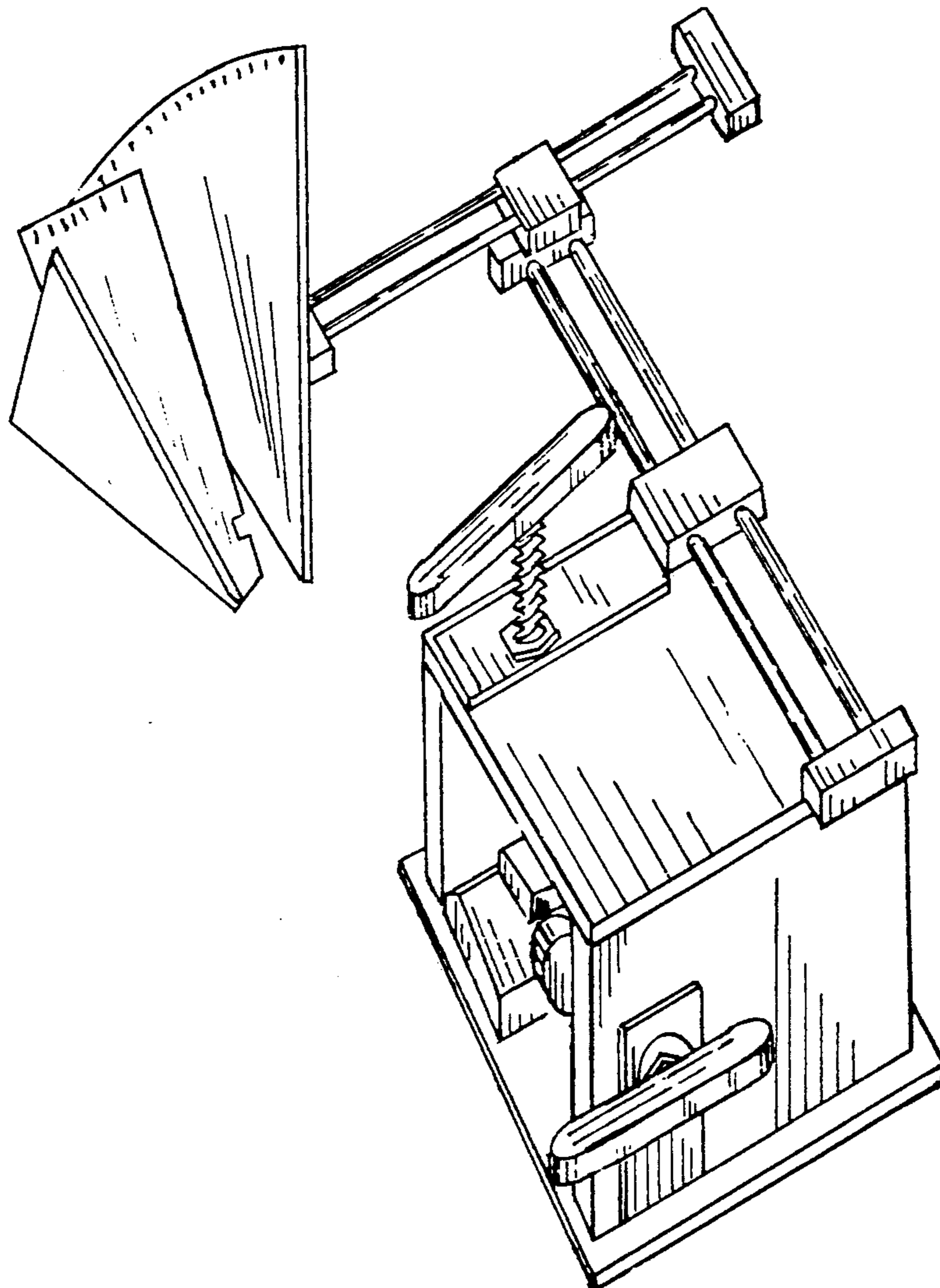
DESCRIPTION

[56] **References Cited**

U.S. PATENT DOCUMENTS

- D. 306,979 4/1990 Cukon D10/46
- D. 324,897 3/1992 Colucci D10/64 X
- 2,973,581 3/1961 Rhodehamel .

FIG. 1 is a front elevation view of my new and original design for a golf club adjusting machine for metal and wood shafts;
FIG. 2 is a back view thereof;
FIG. 3 is a right end view thereof;
FIG. 4 is a left end view thereof;
FIG. 5 is a plan view thereof; and,
FIG. 6 is a right top perspective view thereof.



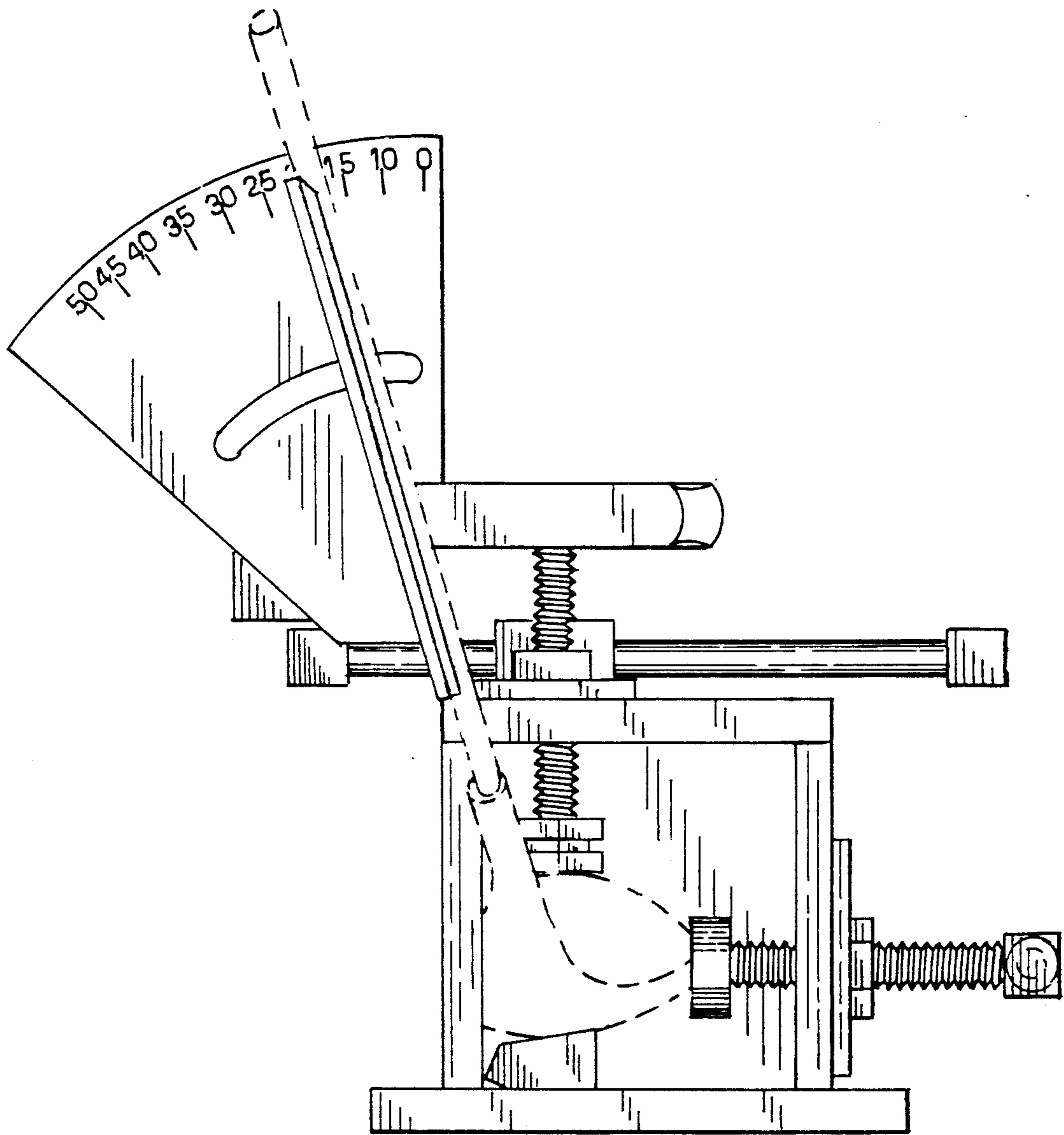


FIG.1

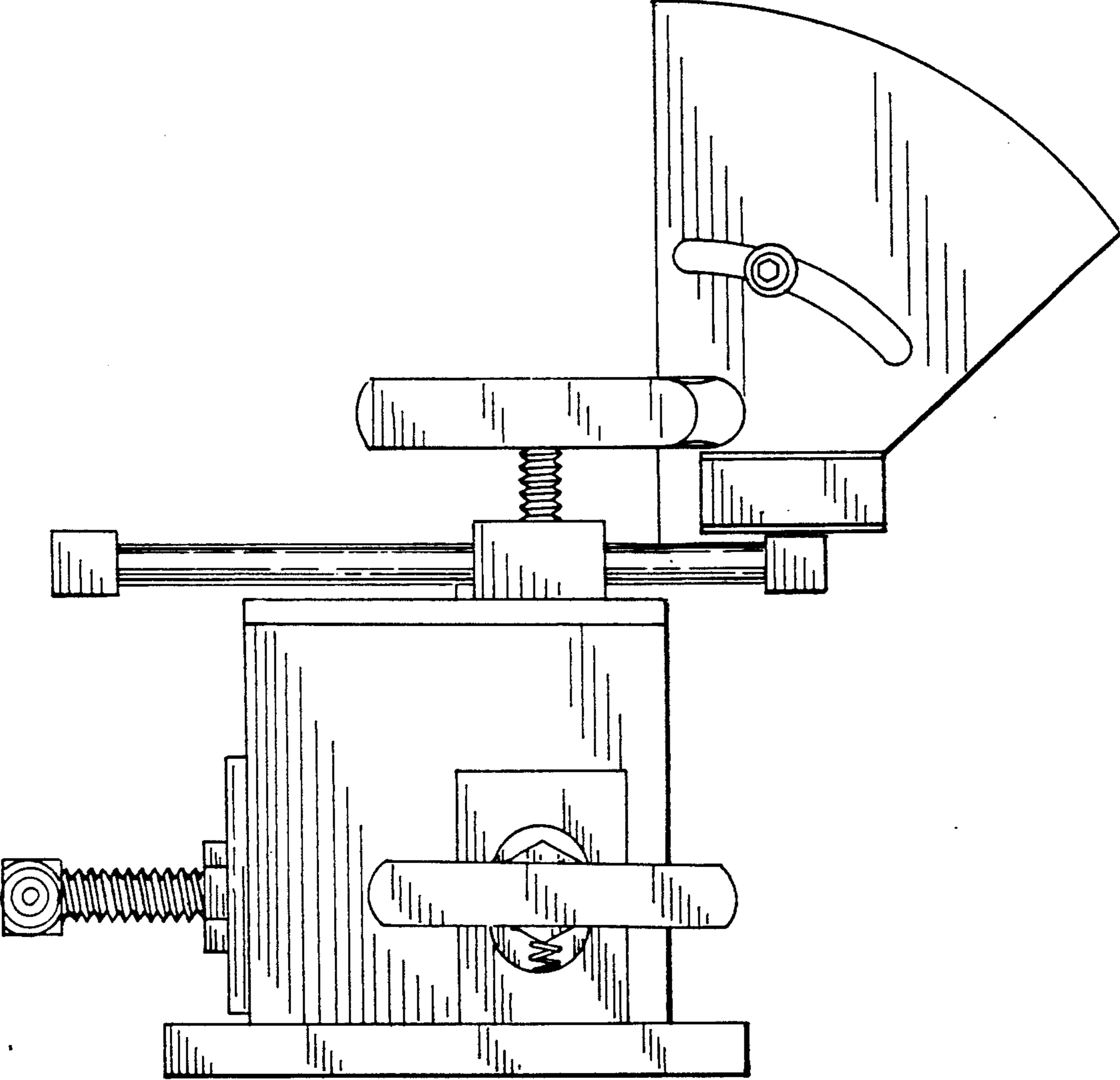


FIG 2

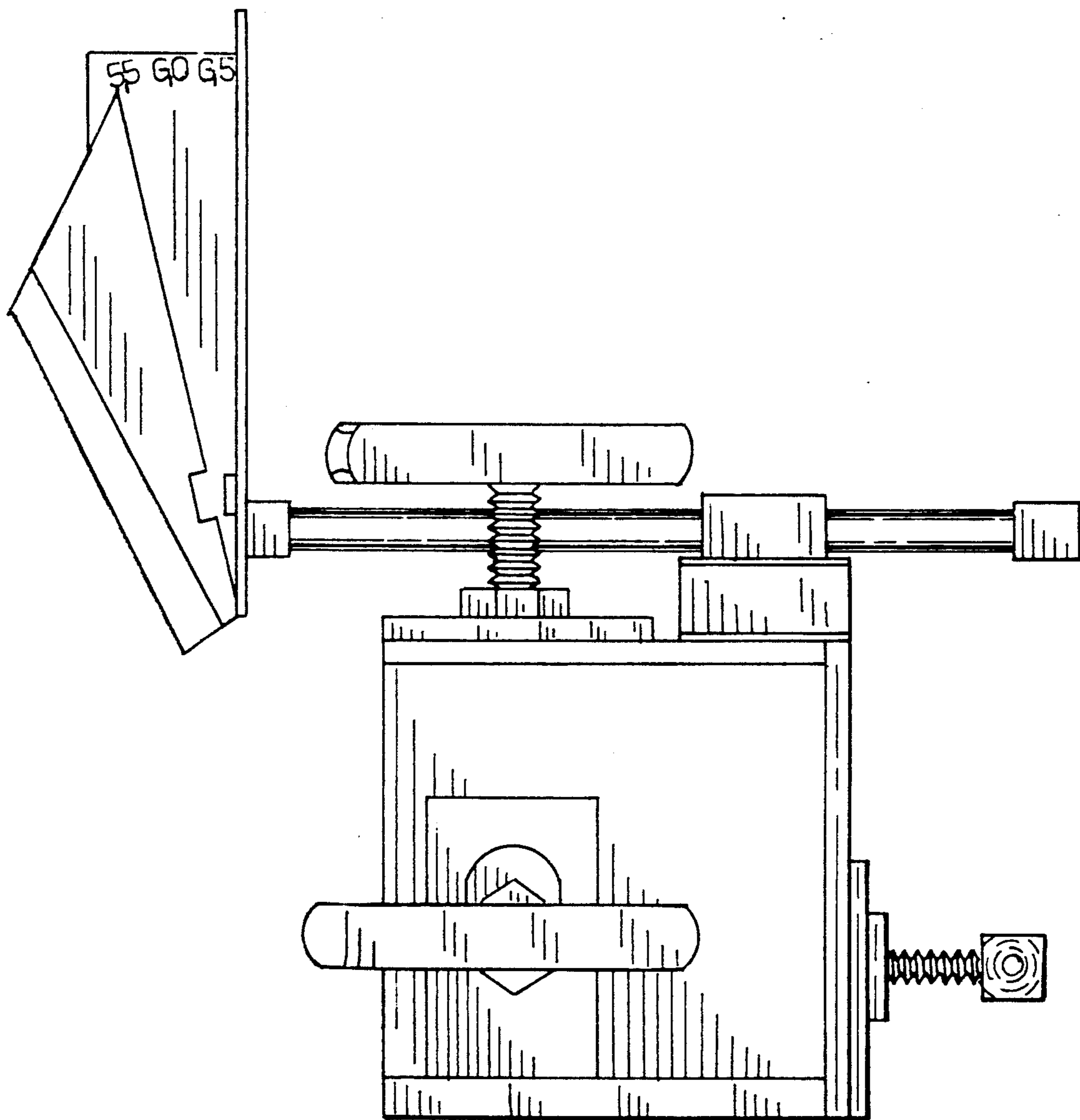


FIG.3

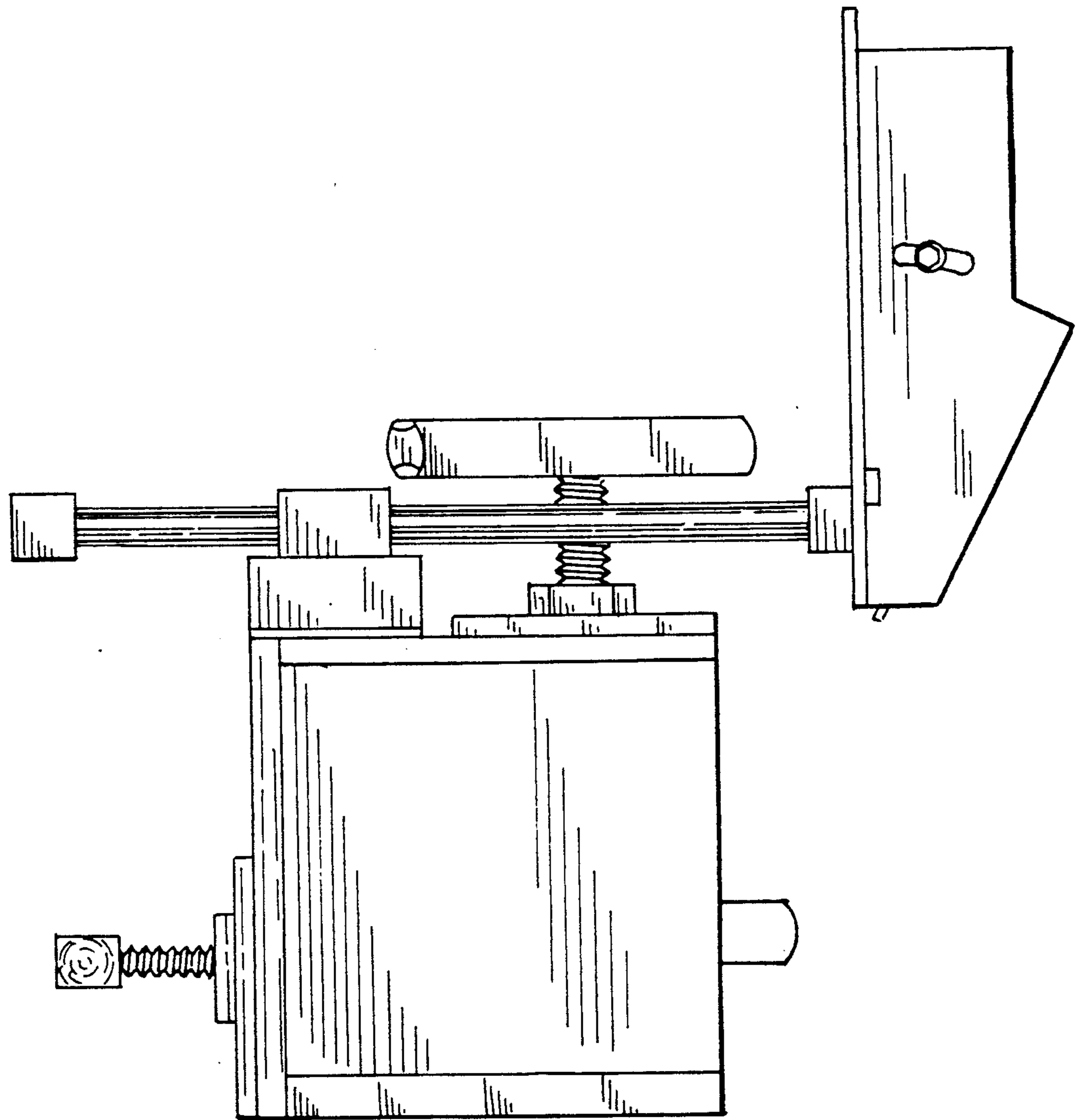


FIG.4

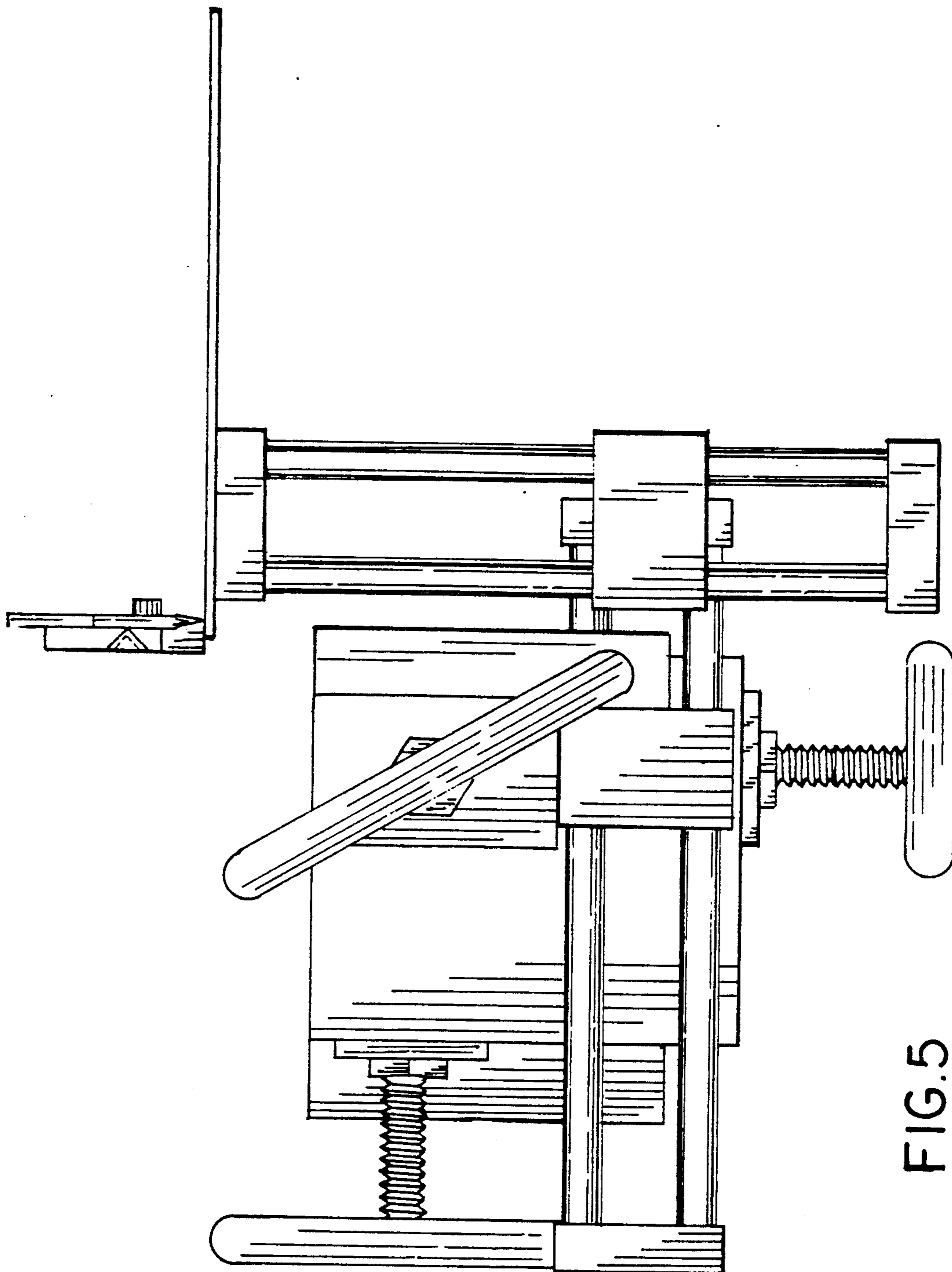


FIG. 5

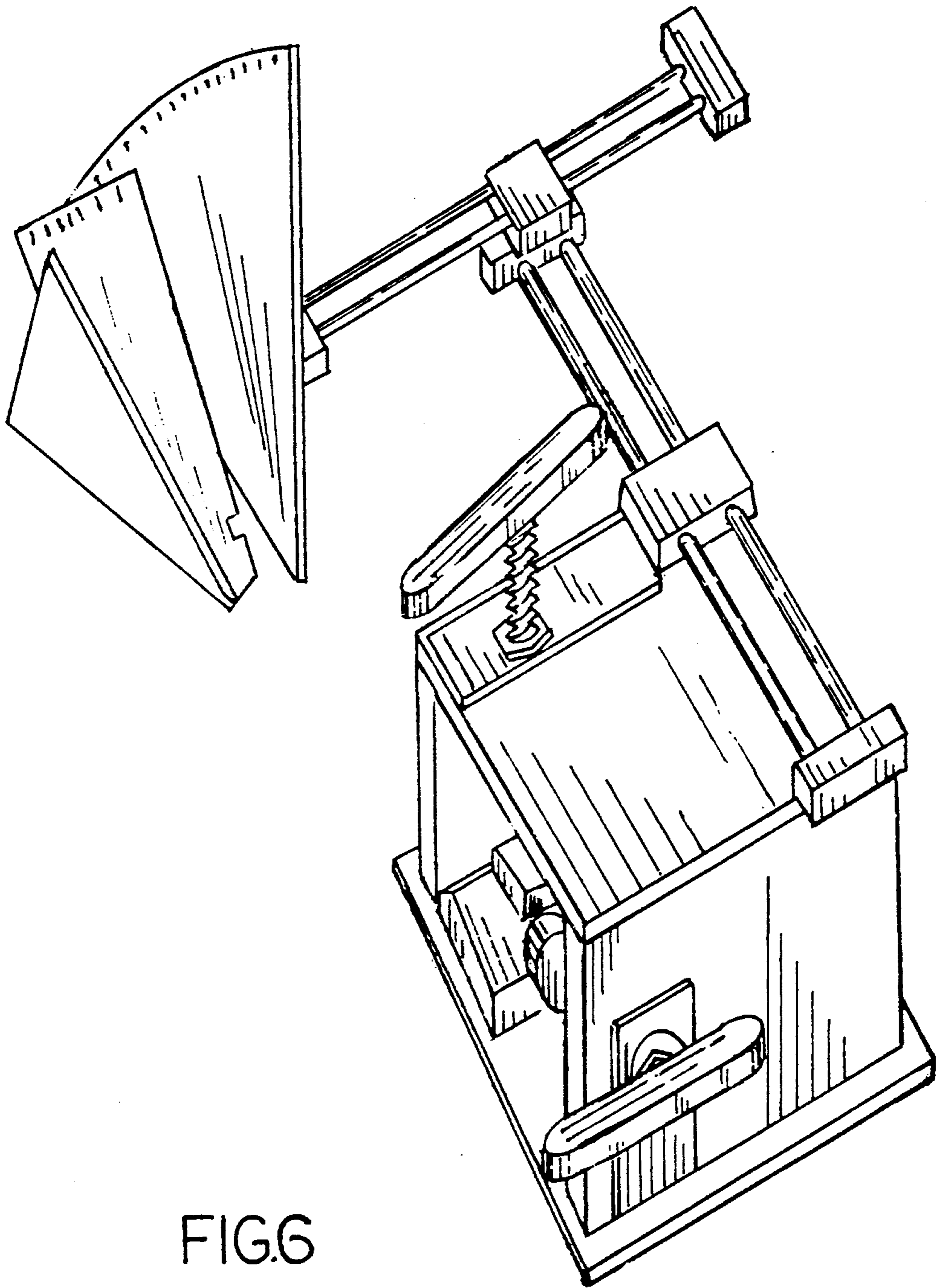


FIG. 6