



US00D340632S

United States Patent [19]
Easley

[11] **Patent Number: Des. 340,632**
[45] **Date of Patent: ** Oct. 26, 1993**

[54] **WOODCARVING VISE**

[56]

References Cited

U.S. PATENT DOCUMENTS

3,176,745	4/1965	Nyborg	269/246
4,253,648	3/1981	Meeks	269/6
4,934,643	6/1990	Militano	269/71
4,955,593	9/1990	Yang	269/246

[76] **Inventor: David G. Easley, P.O. Box 773,
Forsyth, Mo. 65653**

Primary Examiner—Alan P. Douglas
Assistant Examiner—J. H. Musgrove

[**] **Term: 14 Years**

[57] **CLAIM**

[21] **Appl. No.: 682,023**

The ornamental design for a woodcarving vise, as shown.

DESCRIPTION

[22] **Filed: Apr. 8, 1991**

FIG. 1 is a frontal perspective;

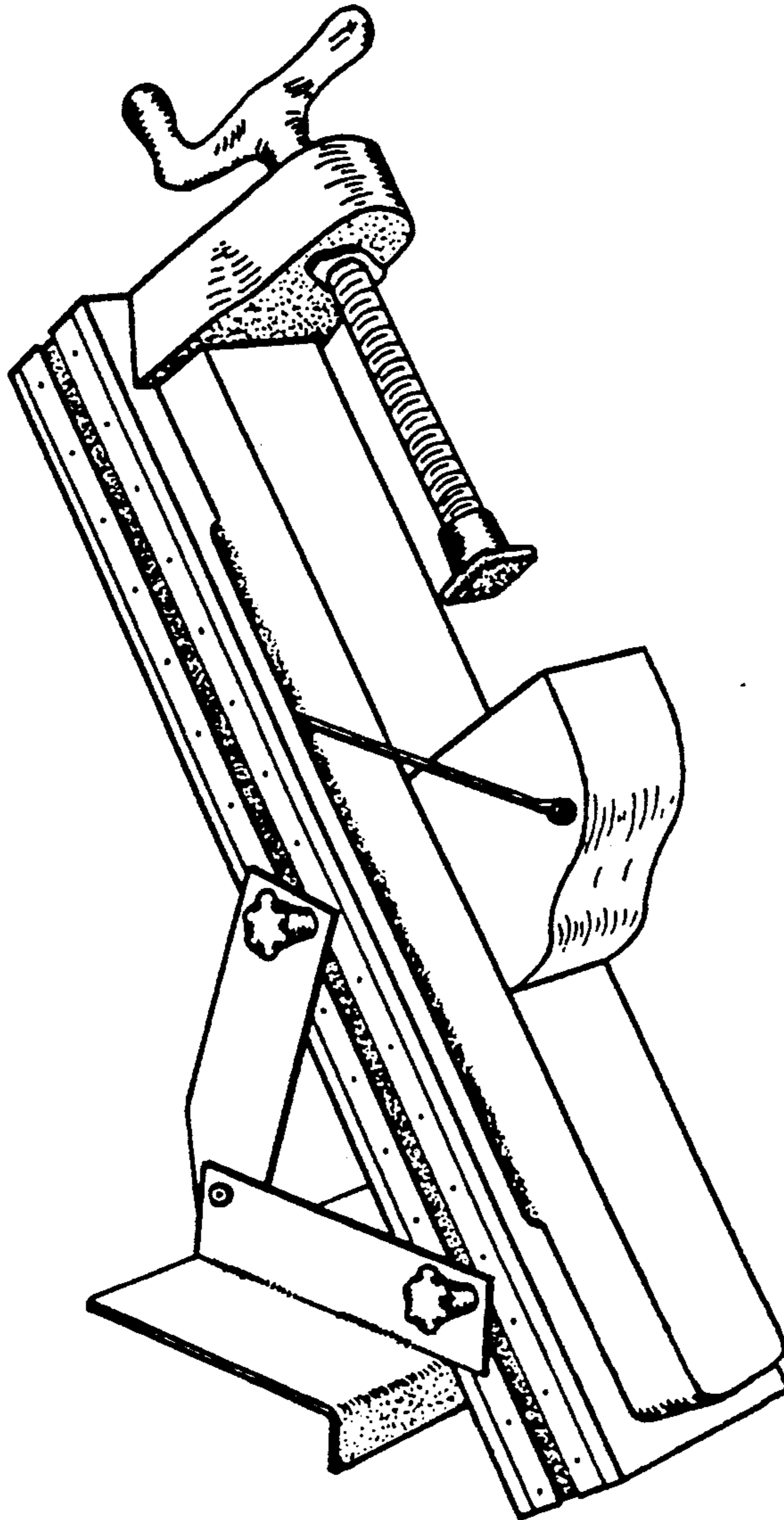
[52] **U.S. Cl. D8/74**

FIG. 2 is a side view;

[58] **Field of Search D8/74, 72; 269/2, 4,
269/6, 50, 54, 245, 243, 240, 253, 215, 79, 212**

FIG. 3 is a front view; and,

FIG. 4 is an opposite side view of FIG. 2 thereof.



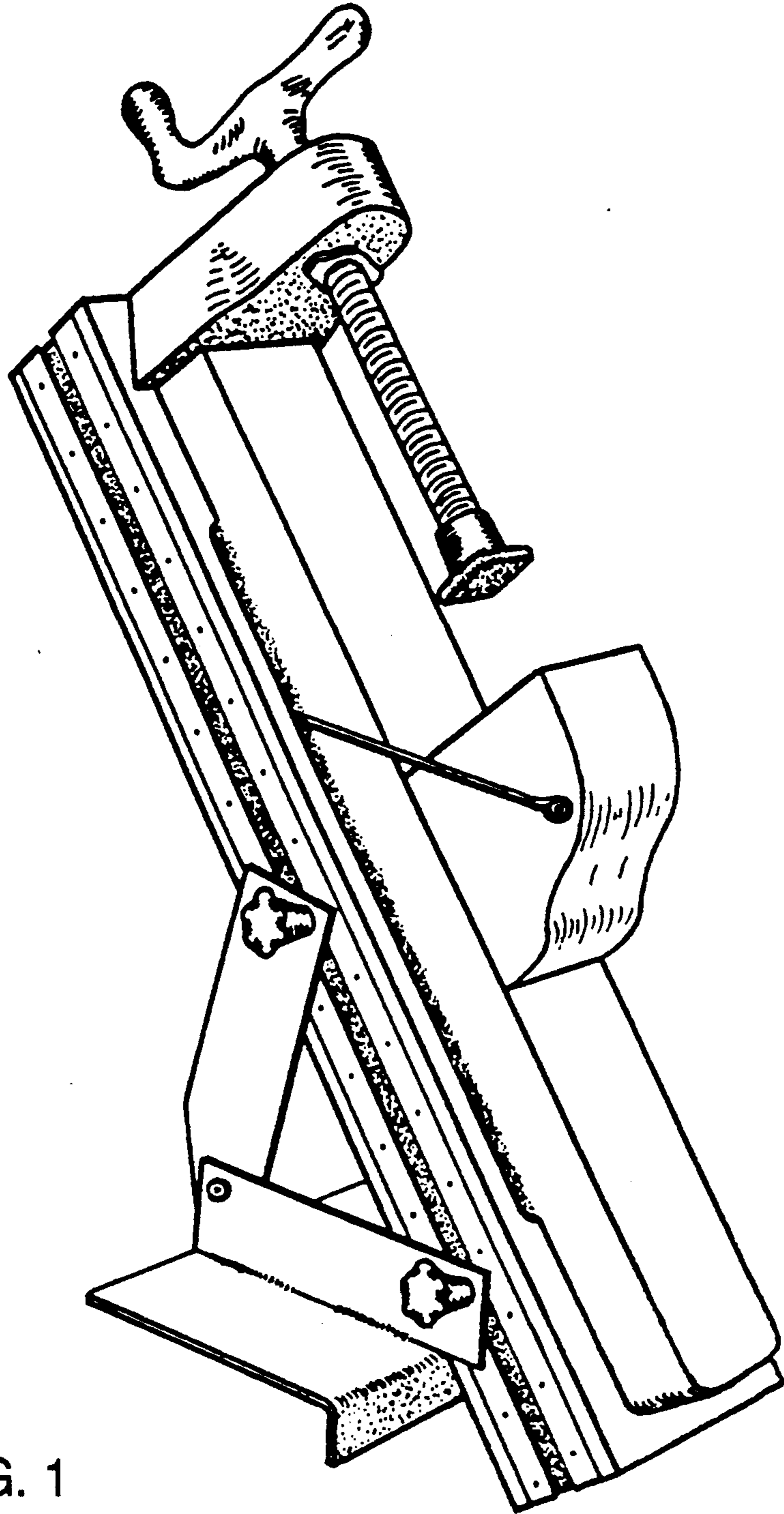


FIG. 1

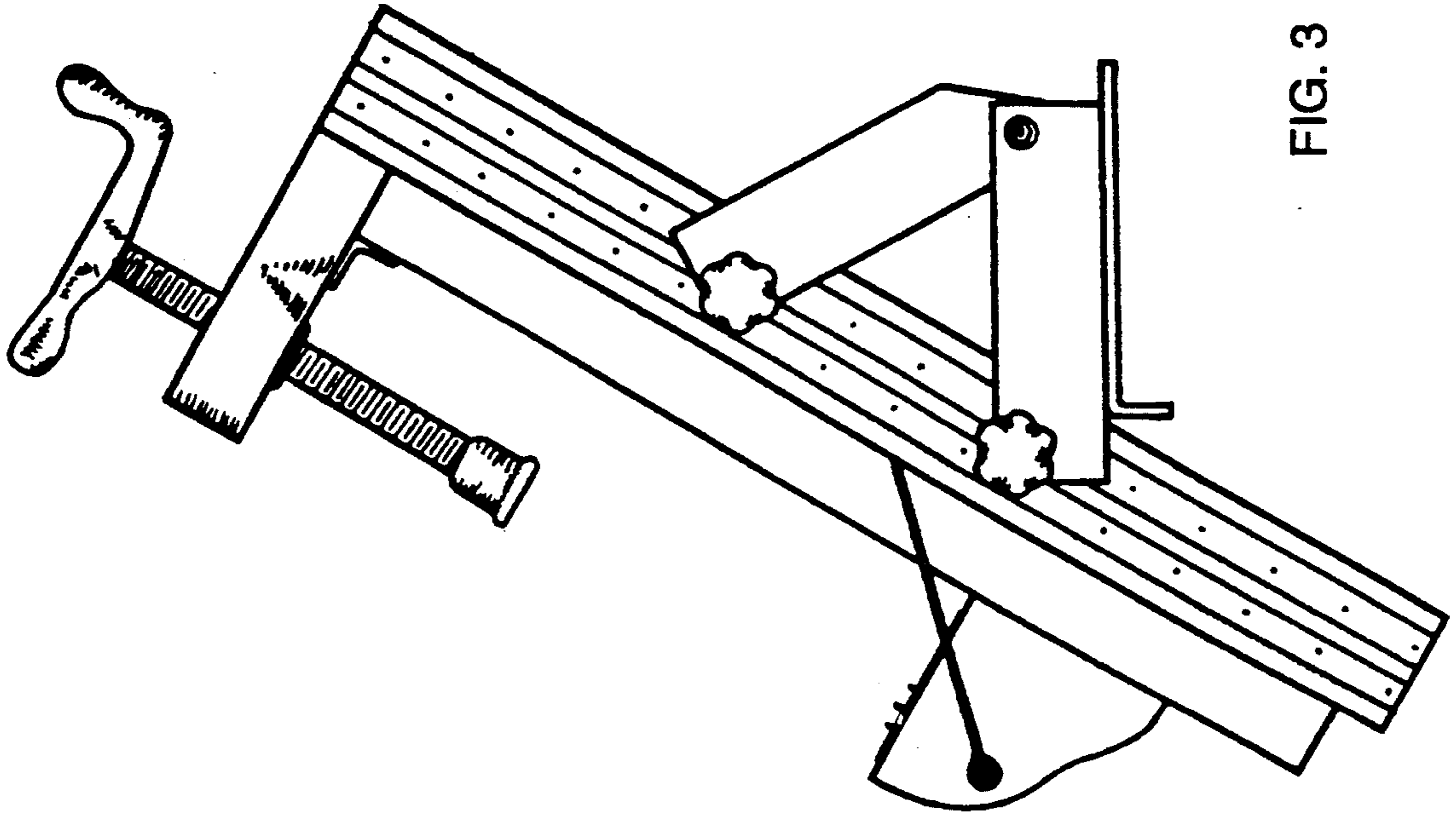


FIG. 3

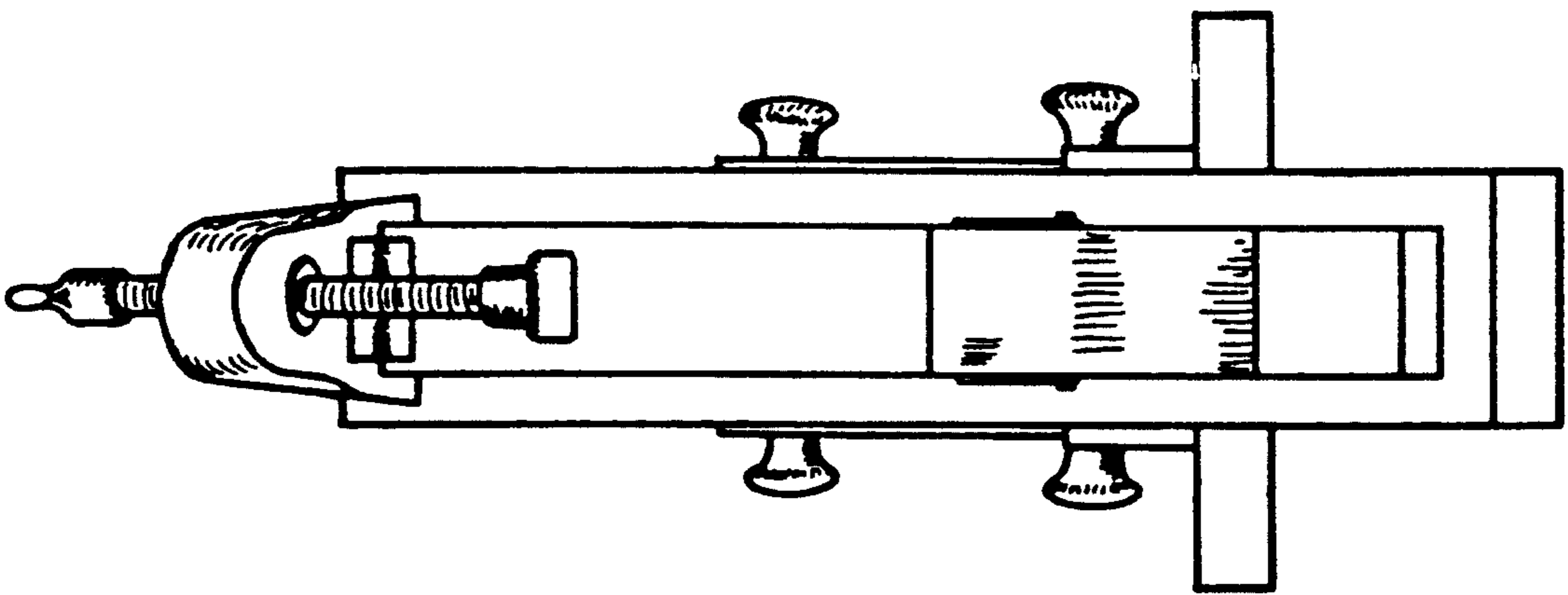


FIG. 2

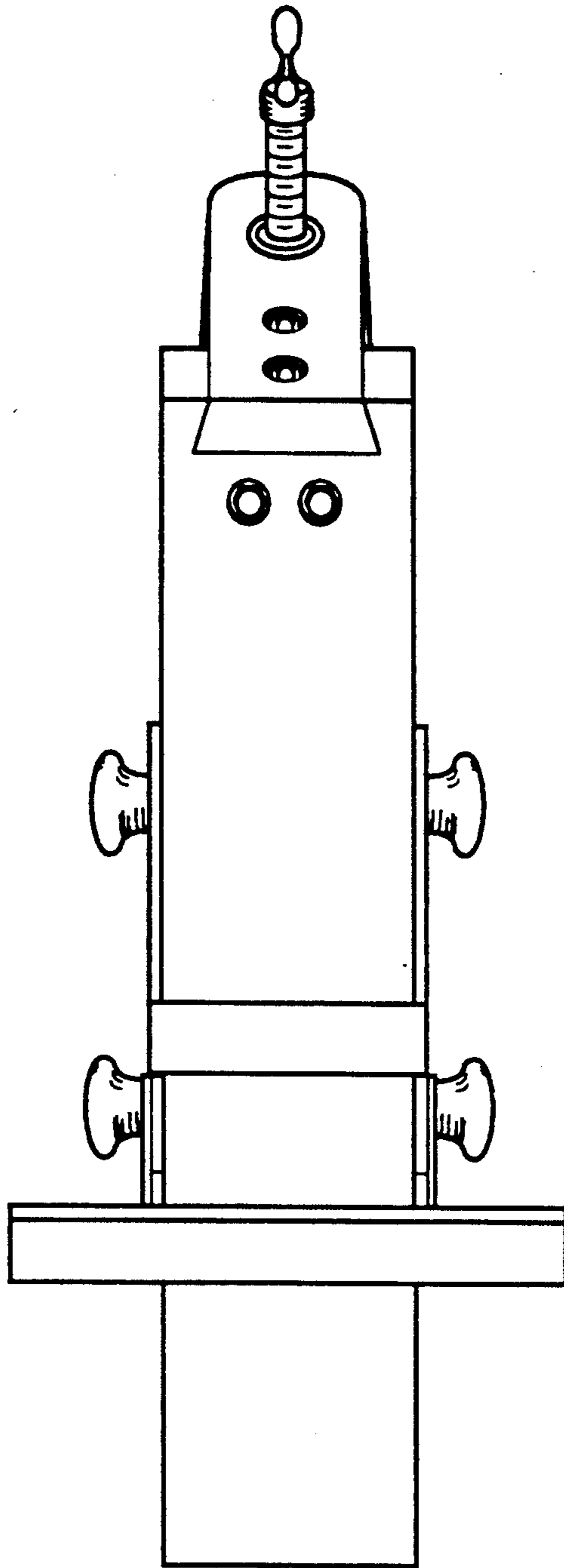


FIG. 4