



US00D340630S

United States Patent [19]

[11] Patent Number: **Des. 340,630**

Hara

[45] Date of Patent: **** Oct. 26, 1993**

[54] **ELECTRIC STAPLER**

- [75] Inventor: **Akihito Hara, Aichi, Japan**
- [73] Assignee: **Makita Corporation, Anjo, Japan**
- [**] Term: **14 Years**
- [21] Appl. No.: **866,247**
- [22] Filed: **Apr. 9, 1992**

[30] **Foreign Application Priority Data**

- Oct. 18, 1991 [JP] Japan 3-31728
- [52] U.S. Cl. **D8/69; D8/49**
- [58] Field of Search **D8/61, 49, 69; 227/120, 227/130, 131, 132, 8, 10**

[56] **References Cited**

U.S. PATENT DOCUMENTS

- D. 313,156 12/1990 Staubitz D8/69
- D. 330,836 11/1992 Fushiya et al. D8/69
- D. 333,601 3/1993 Wingert D8/69

OTHER PUBLICATIONS

Makita General Catalog 1992, p. 14.
Primary Examiner—Alan P. Douglas
Assistant Examiner—J. H. Musgrove
Attorney, Agent, or Firm—Lahive & Cockfield

[57] **CLAIM**

The ornamental design for an electric stapler, as shown and described.

DESCRIPTION

FIG. 1 is a perspective view from the front of an electric stapler showing my new design;
 FIG. 2 is a perspective view from the rear thereof;
 FIG. 3 is a front elevational view thereof;
 FIG. 4 is a rear elevational view thereof;
 FIG. 5 is a left hand elevational view thereof;
 FIG. 6 is a right hand elevational view thereof;
 FIG. 7 is a top plan view thereof; and,
 FIG. 8 is a bottom plan view thereof.

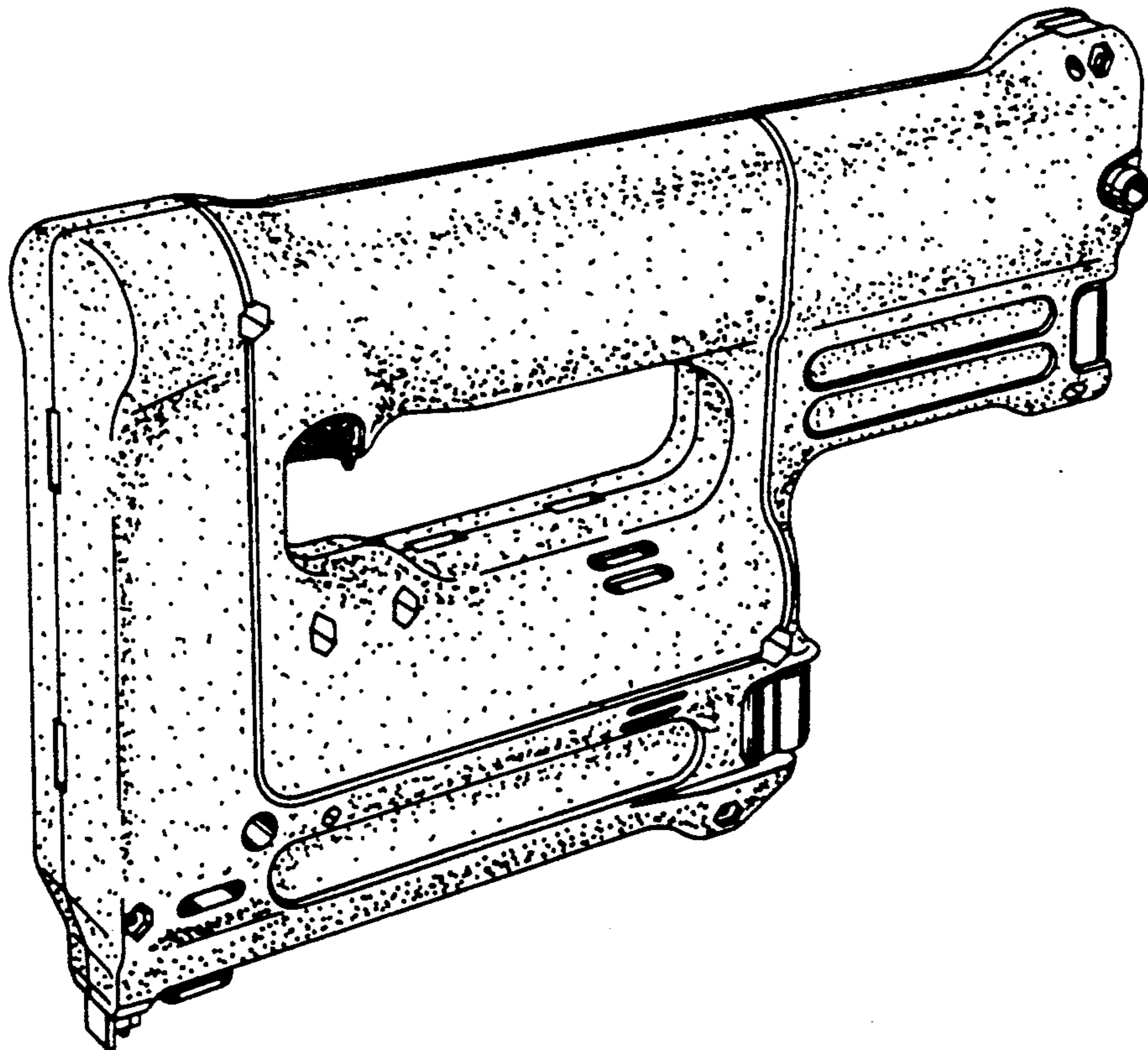


FIG. 1

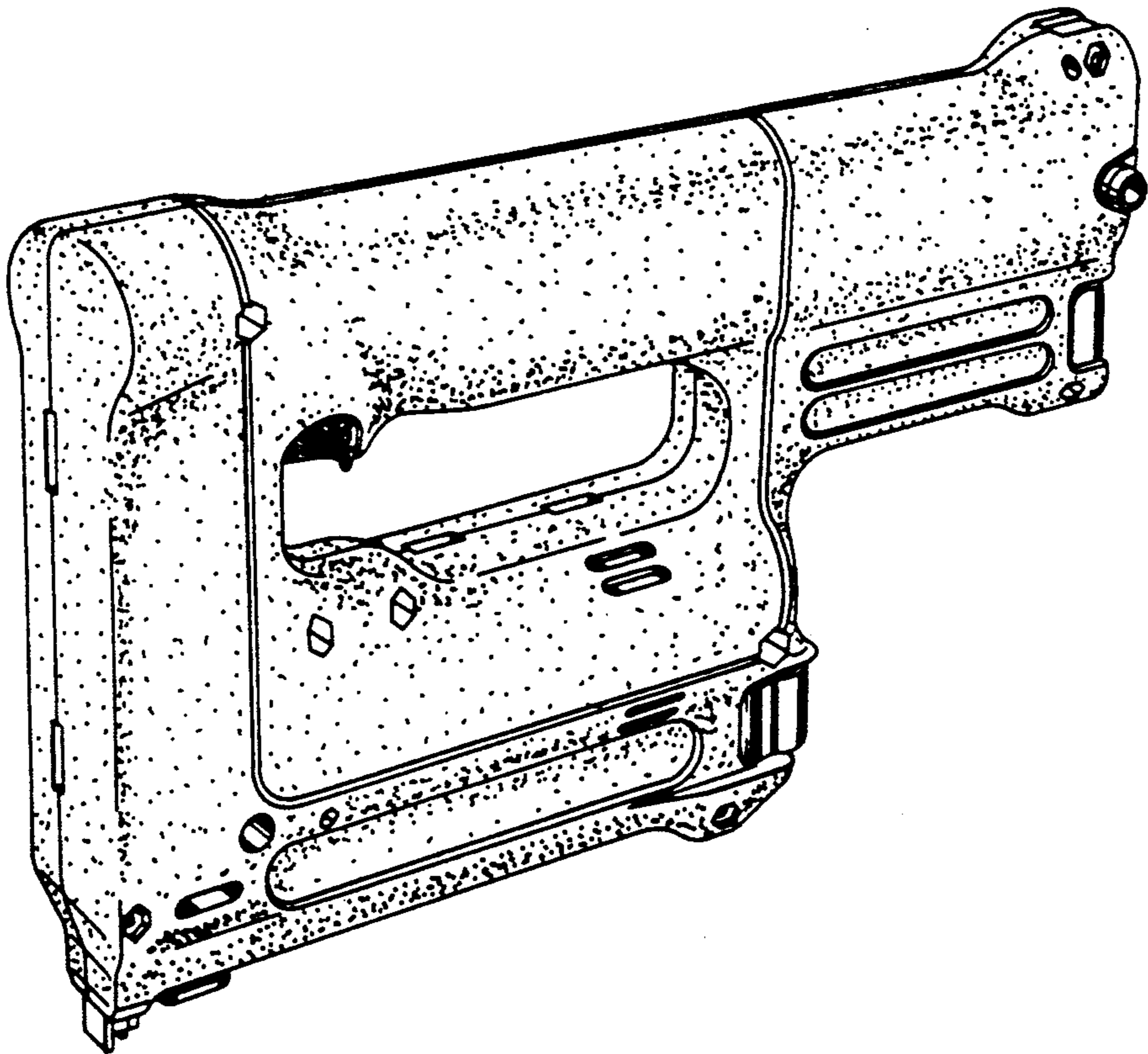


FIG. 2

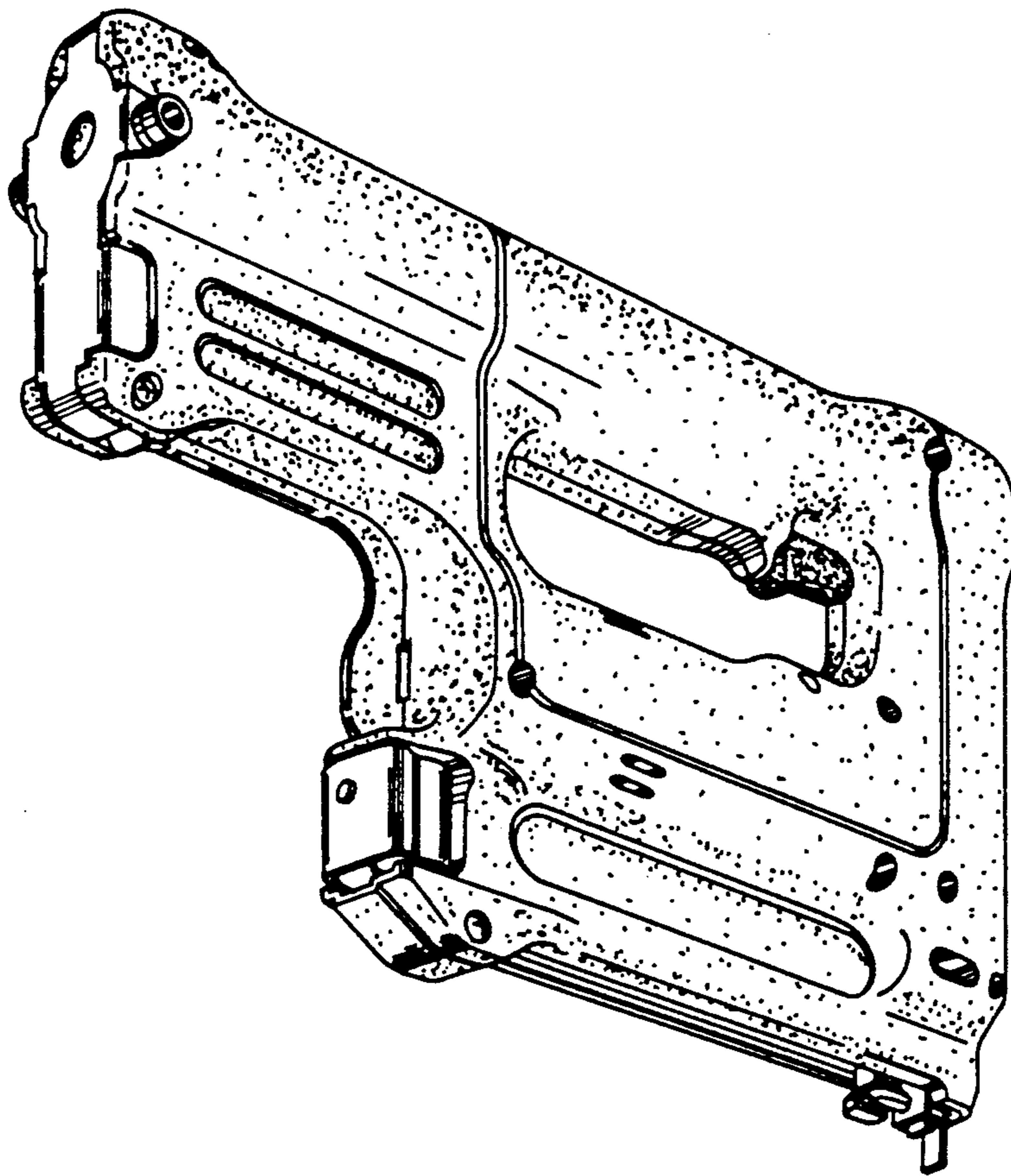


FIG. 3

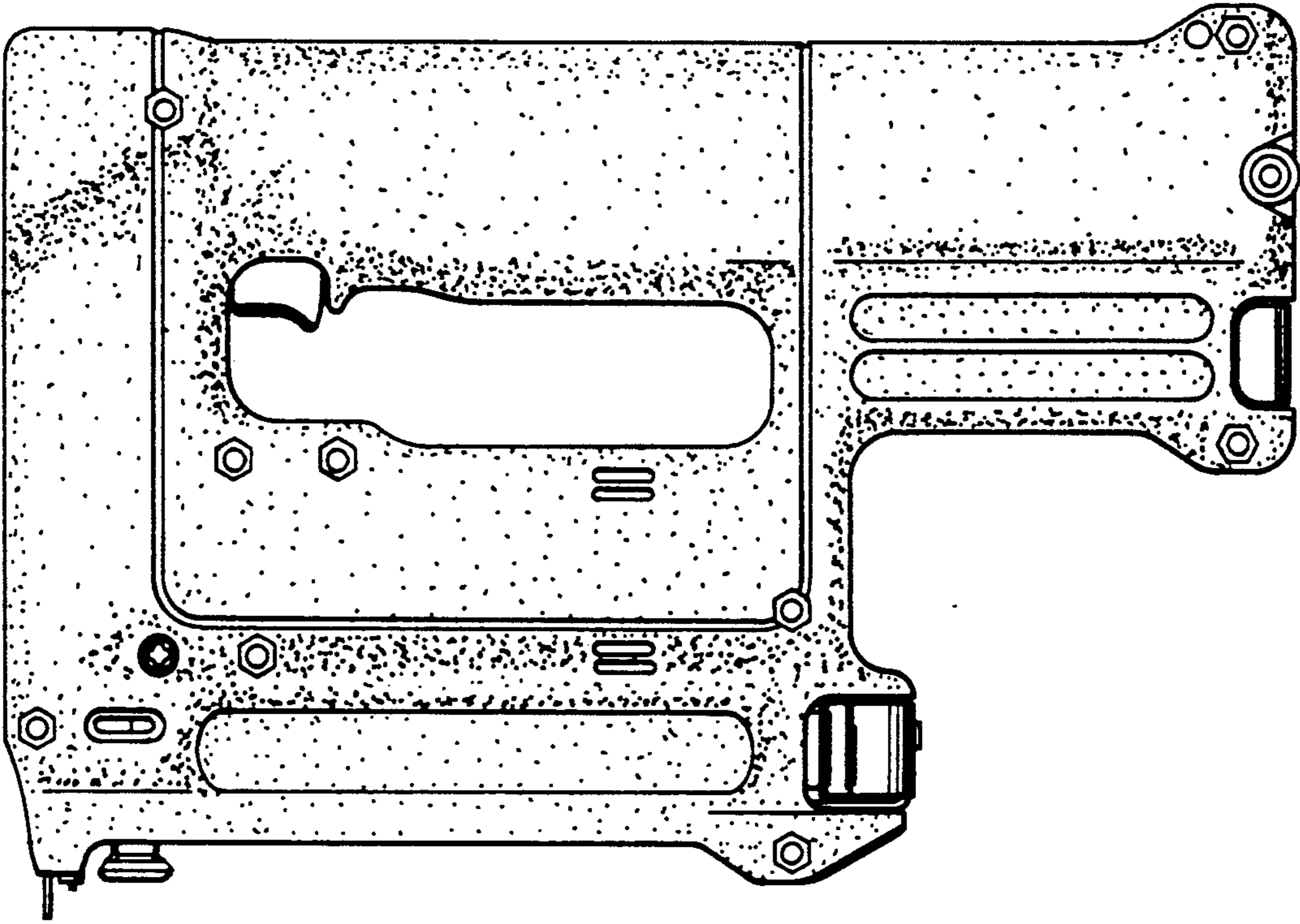


FIG. 4

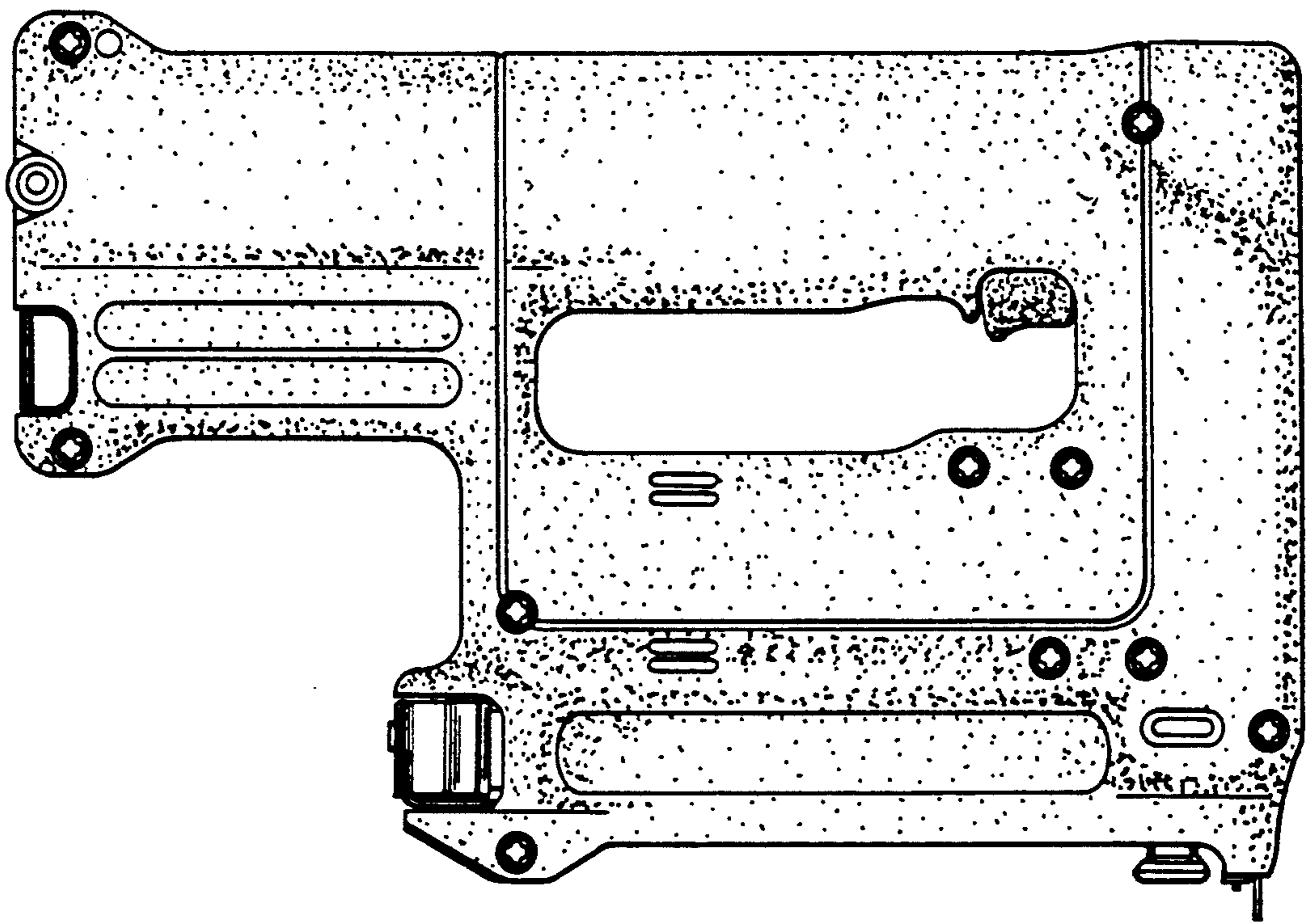


FIG. 5

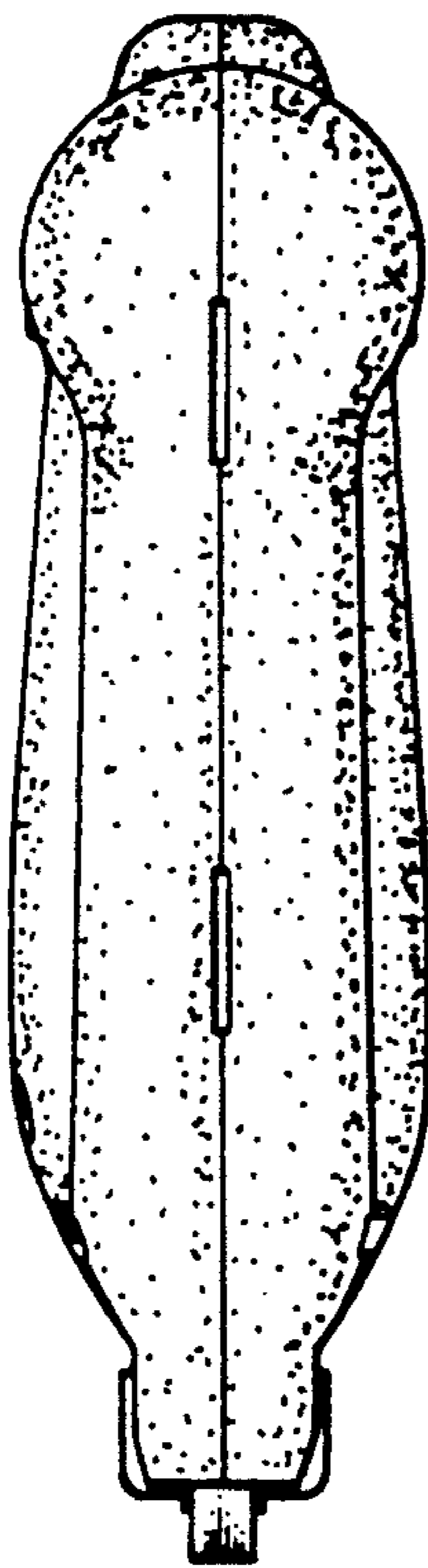


FIG. 6

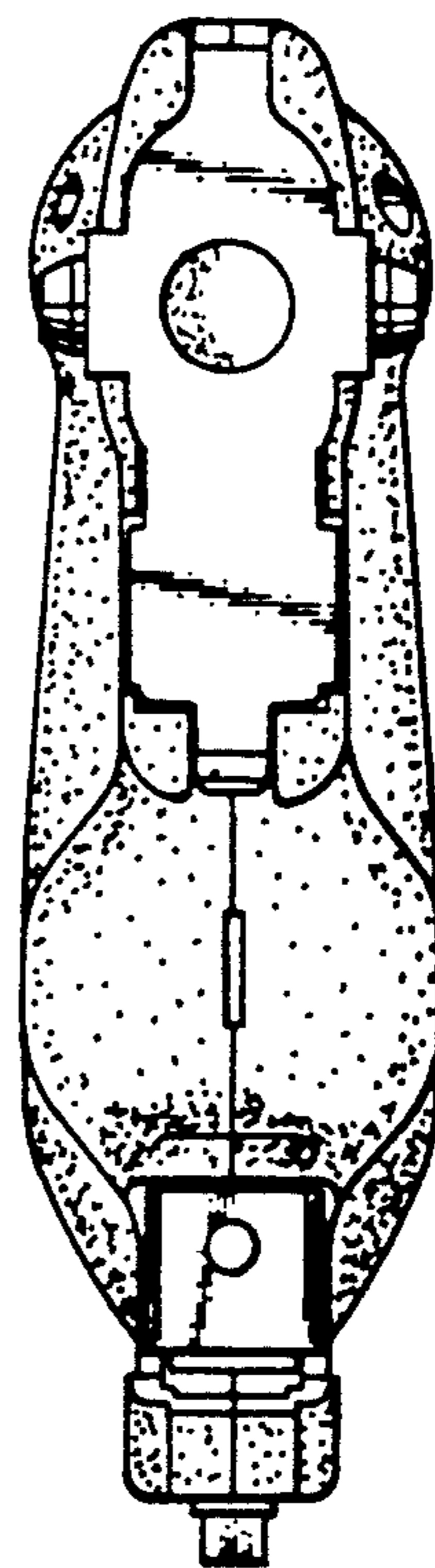


FIG. 7



FIG. 8

