



US00D340627S

**United States Patent** [19]  
**Kisby**

[11] **Patent Number: Des. 340,627**

[45] **Date of Patent: \*\* Oct. 26, 1993**

[54] **HOE BLADE**

[76] **Inventor: Loren G. Kisby, Rt. 1, Box 22, Munden, Kans. 66959**

[\*\*] **Term: 14 Years**

[21] **Appl. No.: 717,120**

[22] **Filed: Jun. 18, 1991**

[52] **U.S. Cl. .... D8/11**

[58] **Field of Search ..... D8/11; 172/372, 375; 7/114-116**

[56] **References Cited**

**U.S. PATENT DOCUMENTS**

- D. 91,808 3/1934 Fandrich ..... D8/11
- D. 223,793 6/1972 Feo, Jr. .... D8/11

**OTHER PUBLICATIONS**

- A. M. Leonard catalog, 1986, p. 18, cavex hoe, item 5402 in middle of page.
- Ames Catalog, May 1986, p. 24, beet hoe, item 1 18-497, located at top of page.
- Smith and Hawkin, 1988, p. 28, stalham hoe, item a at bottom left of page.

*Primary Examiner*—Wallace R. Burke

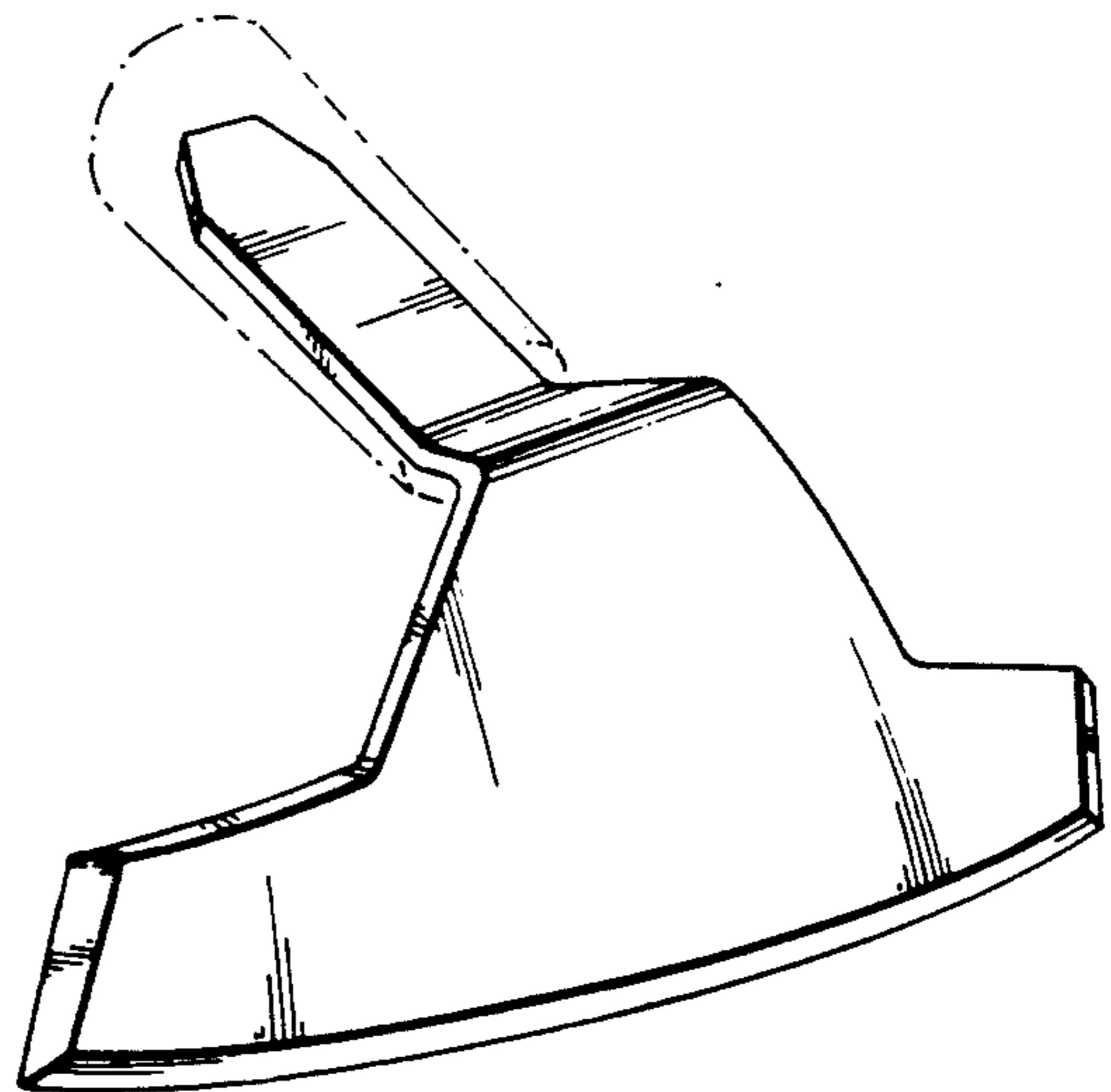
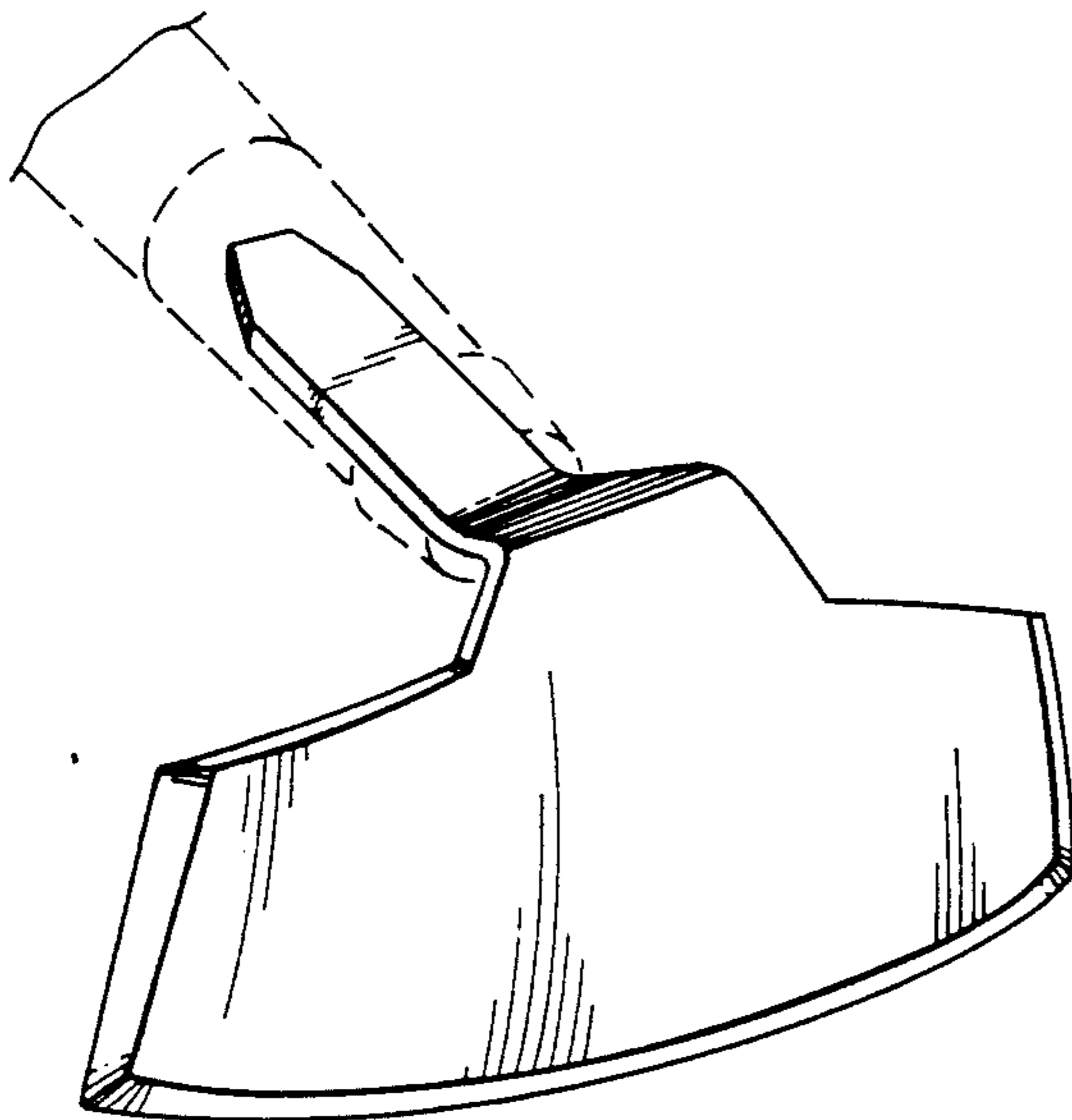
*Assistant Examiner*—H. Baynham  
*Attorney, Agent, or Firm*—Litman, McMahon & Brown

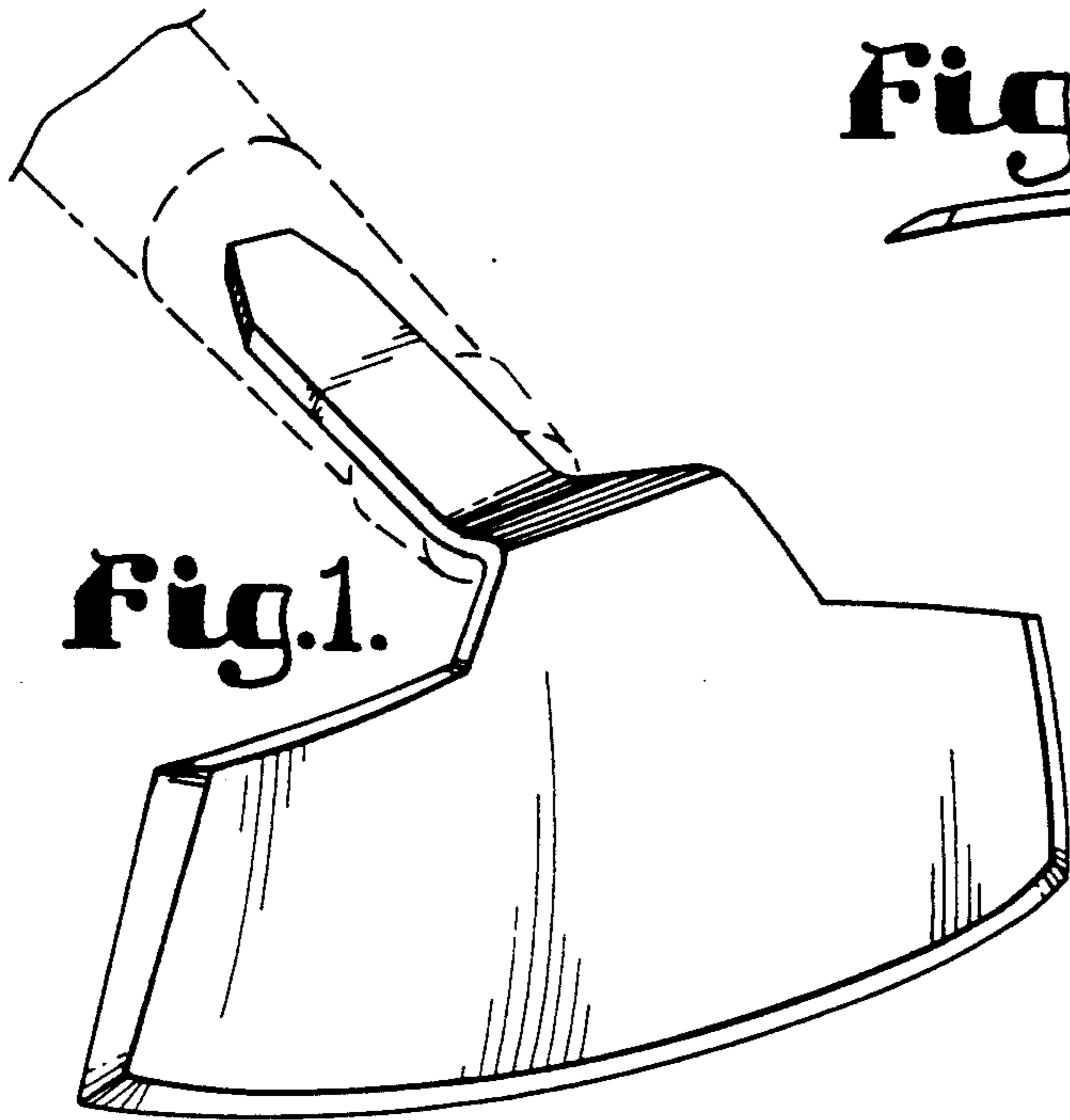
[57] **CLAIM**

The ornamental design for a hoe blade, as shown and described.

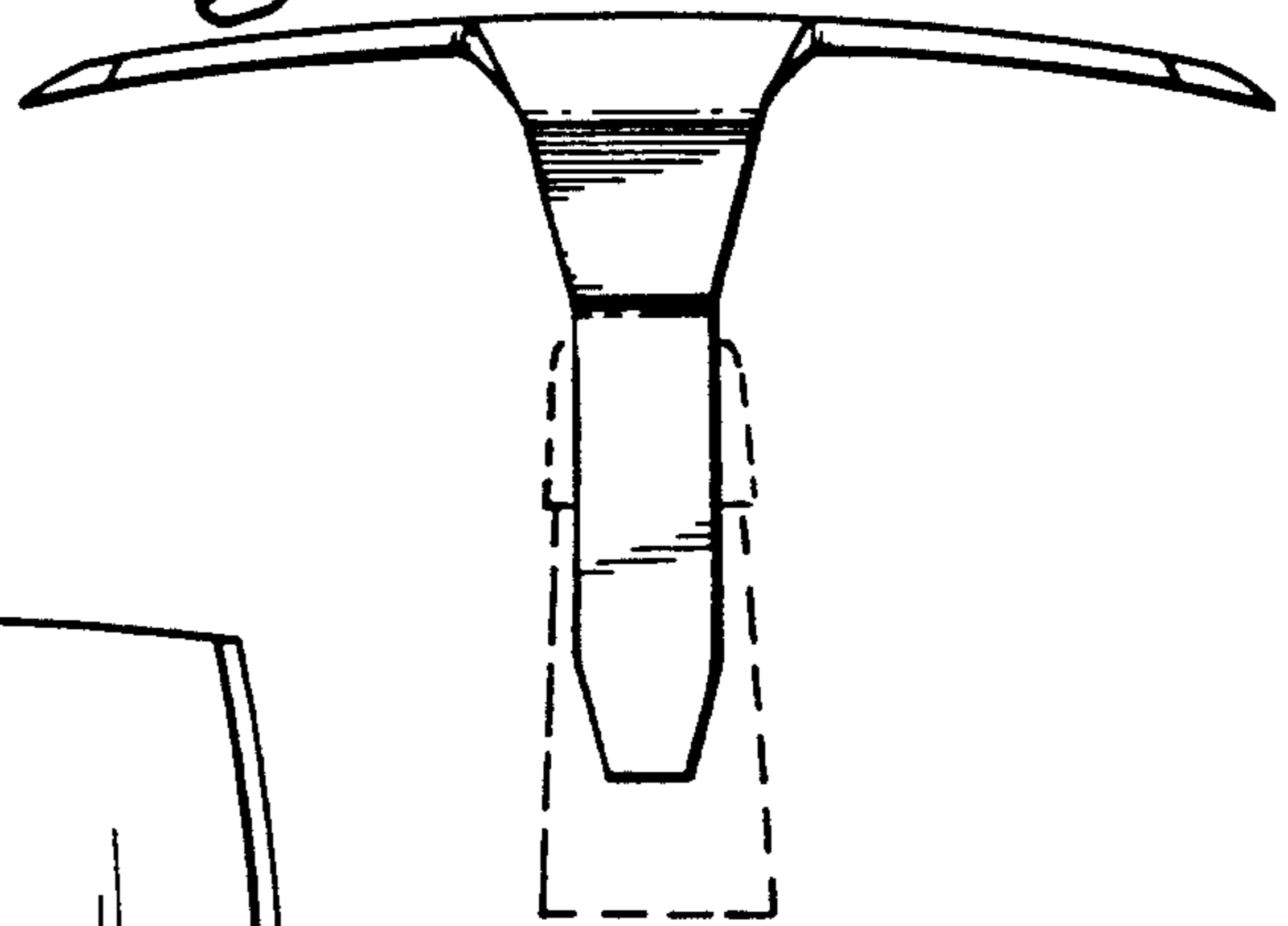
**DESCRIPTION**

FIG. 1 is a top, front, left side perspective view of a hoe blade showing my new design;  
 FIG. 2 is a top plan view thereof;  
 FIG. 3 is a rear elevational view thereof;  
 FIG. 4 is a bottom plan view thereof;  
 FIG. 5 is a left side elevational view thereof, the right side being a mirror image thereof;  
 FIG. 6 is a front elevational view thereof;  
 FIG. 7 is a top, front, left side perspective view of a second embodiment of the design shown in FIG. 1;  
 FIG. 8 is a top plan view thereof;  
 FIG. 9 is a rear elevational view thereof;  
 FIG. 10 is a bottom plan view thereof;  
 FIG. 11 is a left side elevational view thereof, the right side being a mirror image thereof; and,  
 FIG. 12 is a front elevational view thereof.  
 The broken line showing of a handle, a ferrule and a cap is for illustrative purposes only and forms no part of the claimed design.

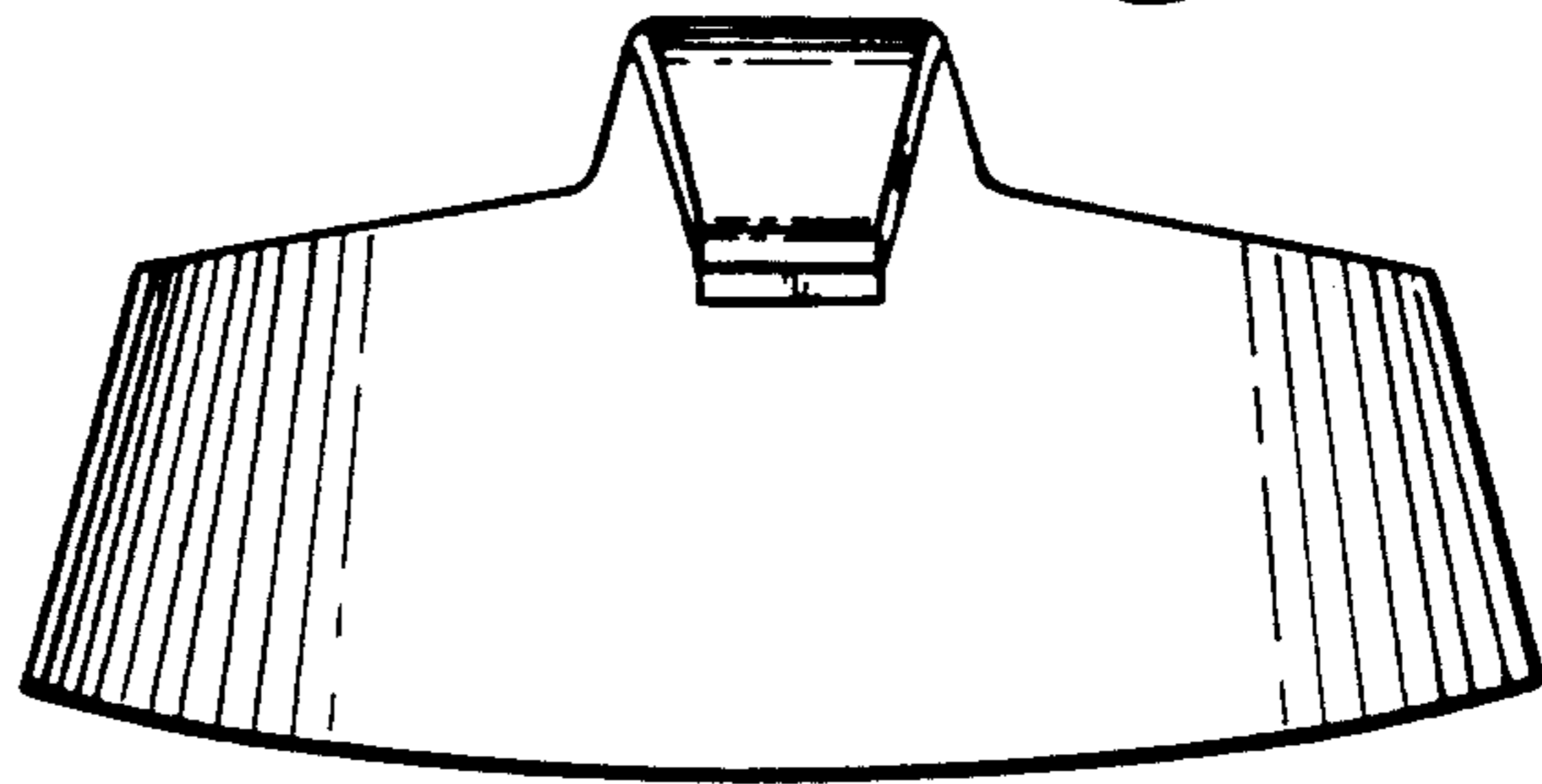




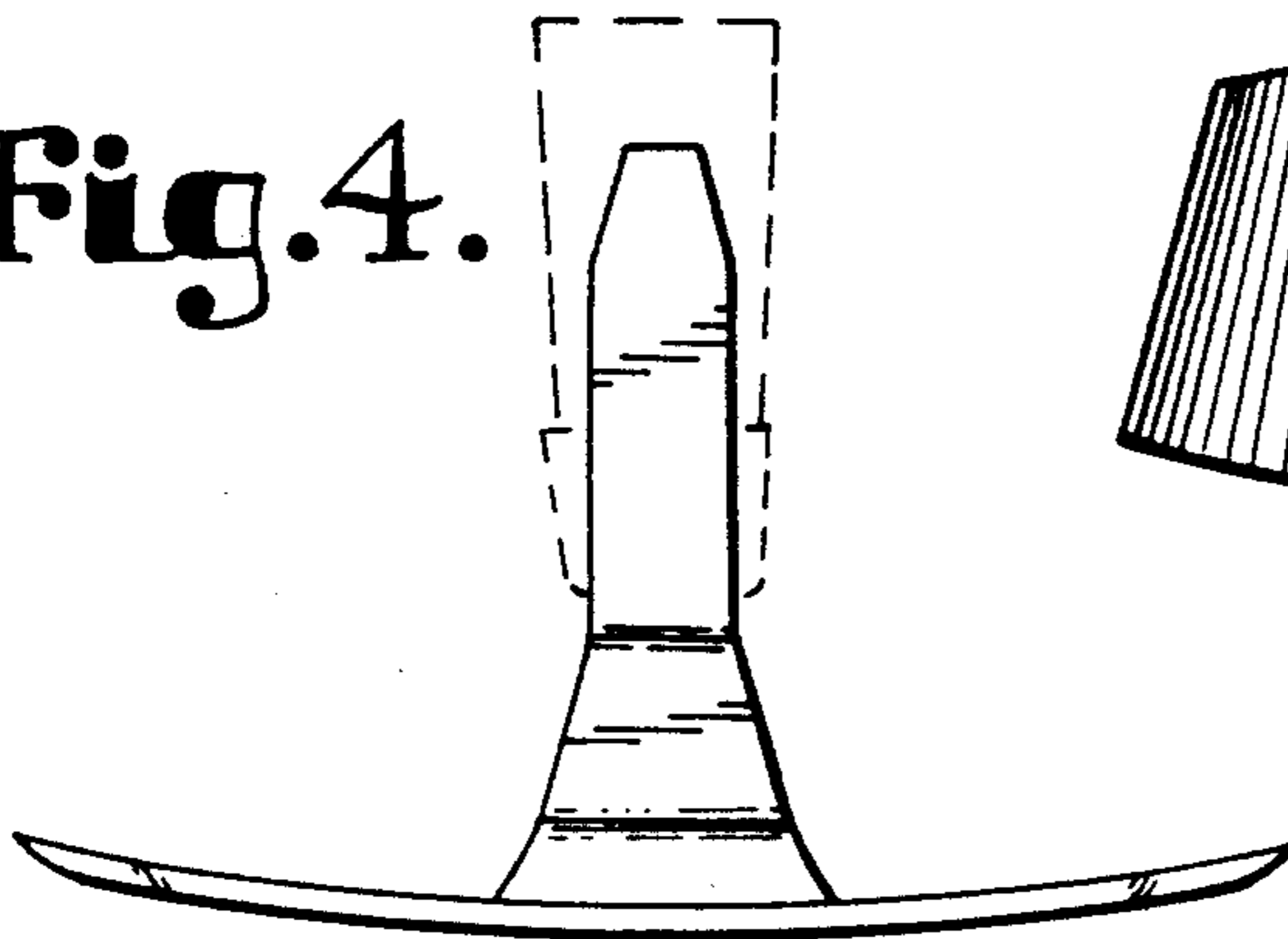
**Fig. 2.**



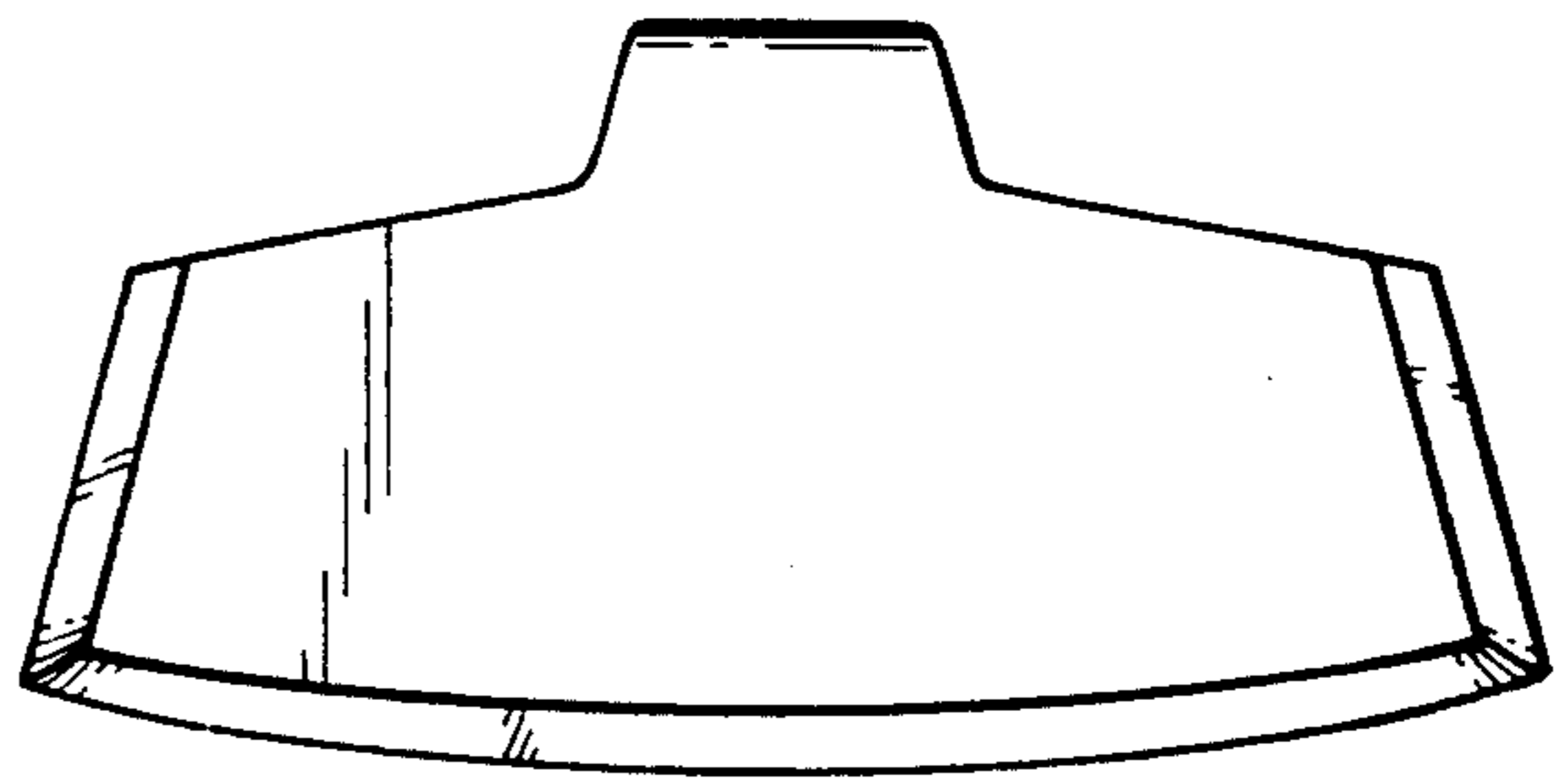
**Fig. 3.**



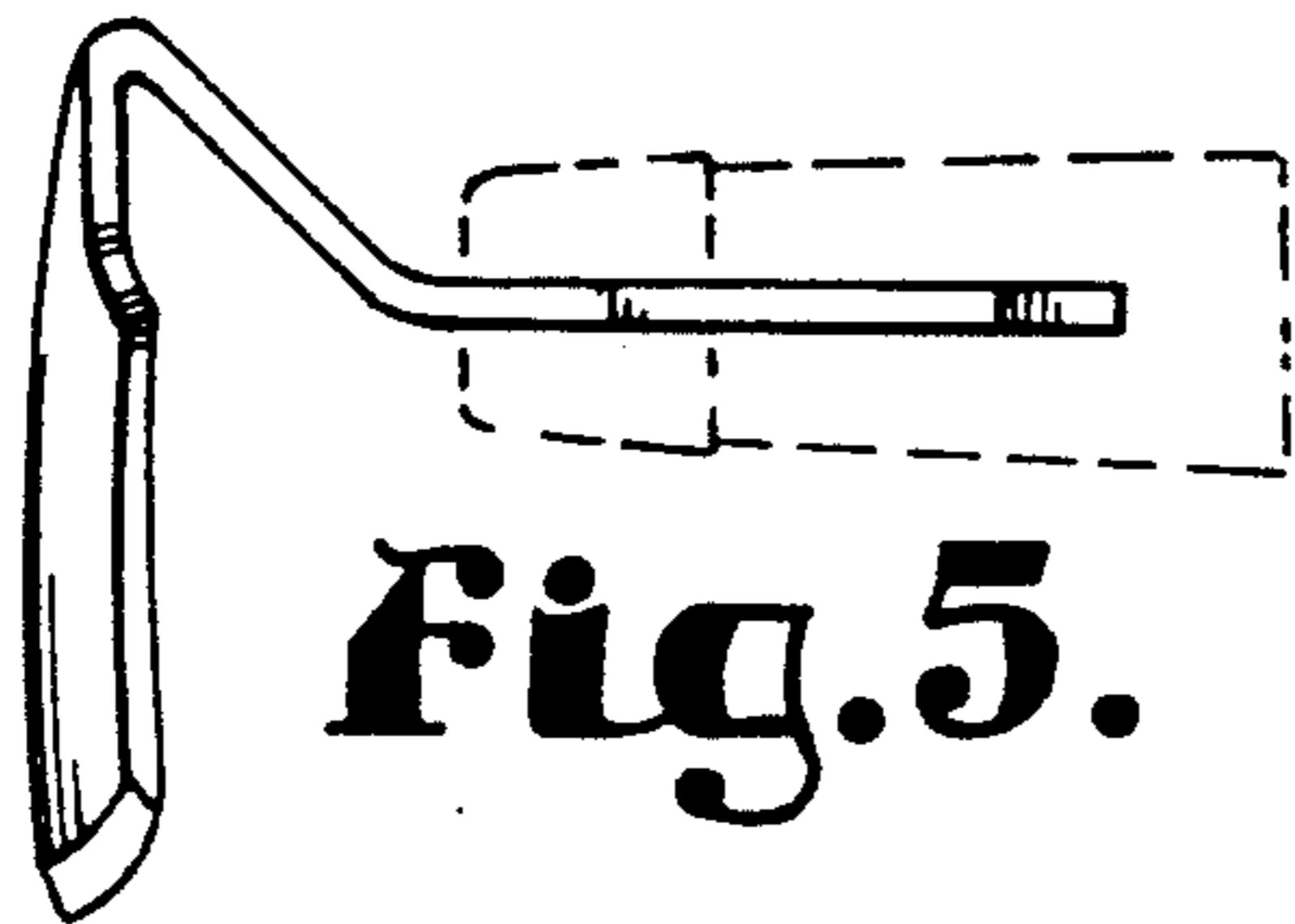
**Fig. 4.**



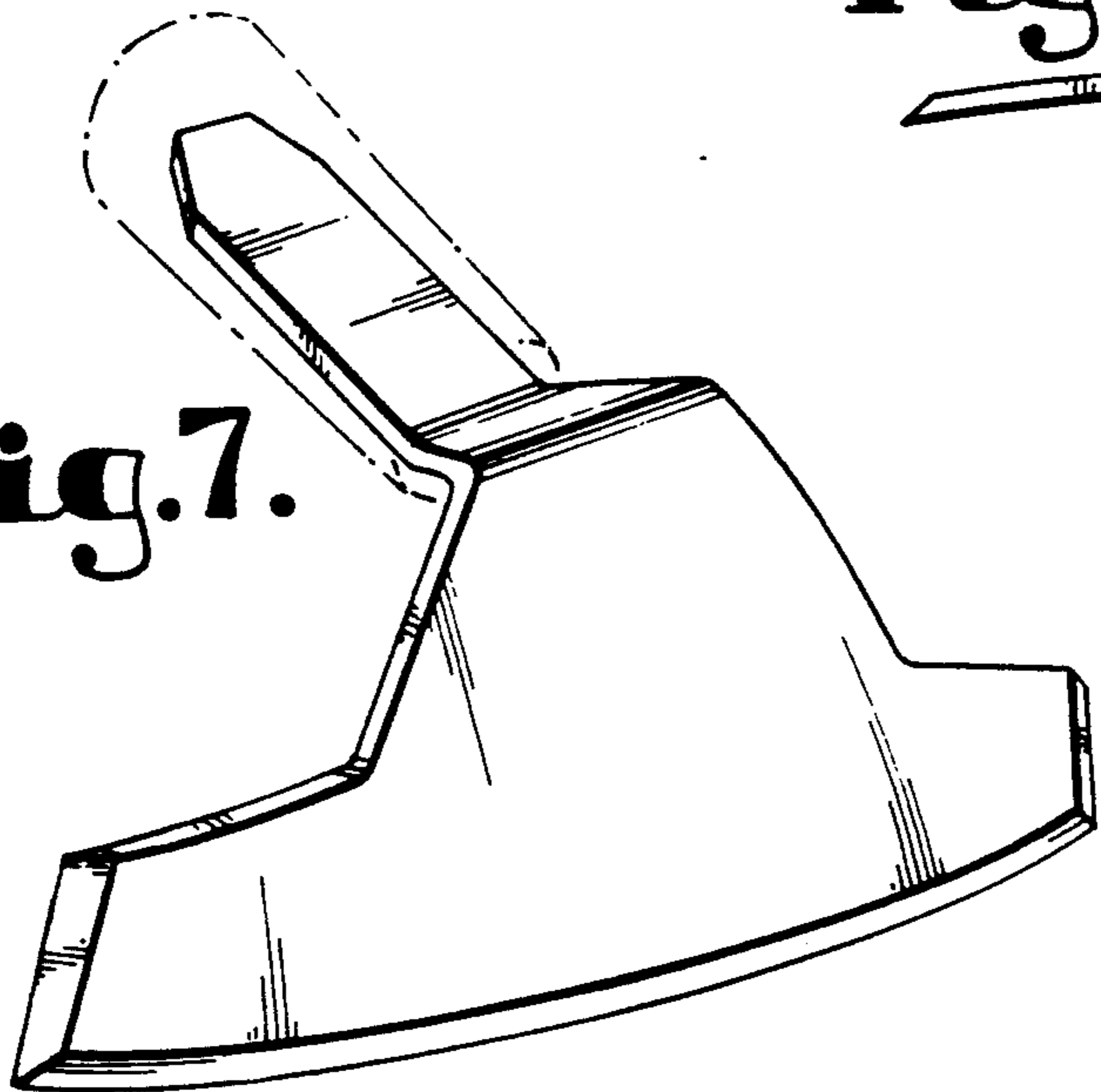
**Fig. 6.**



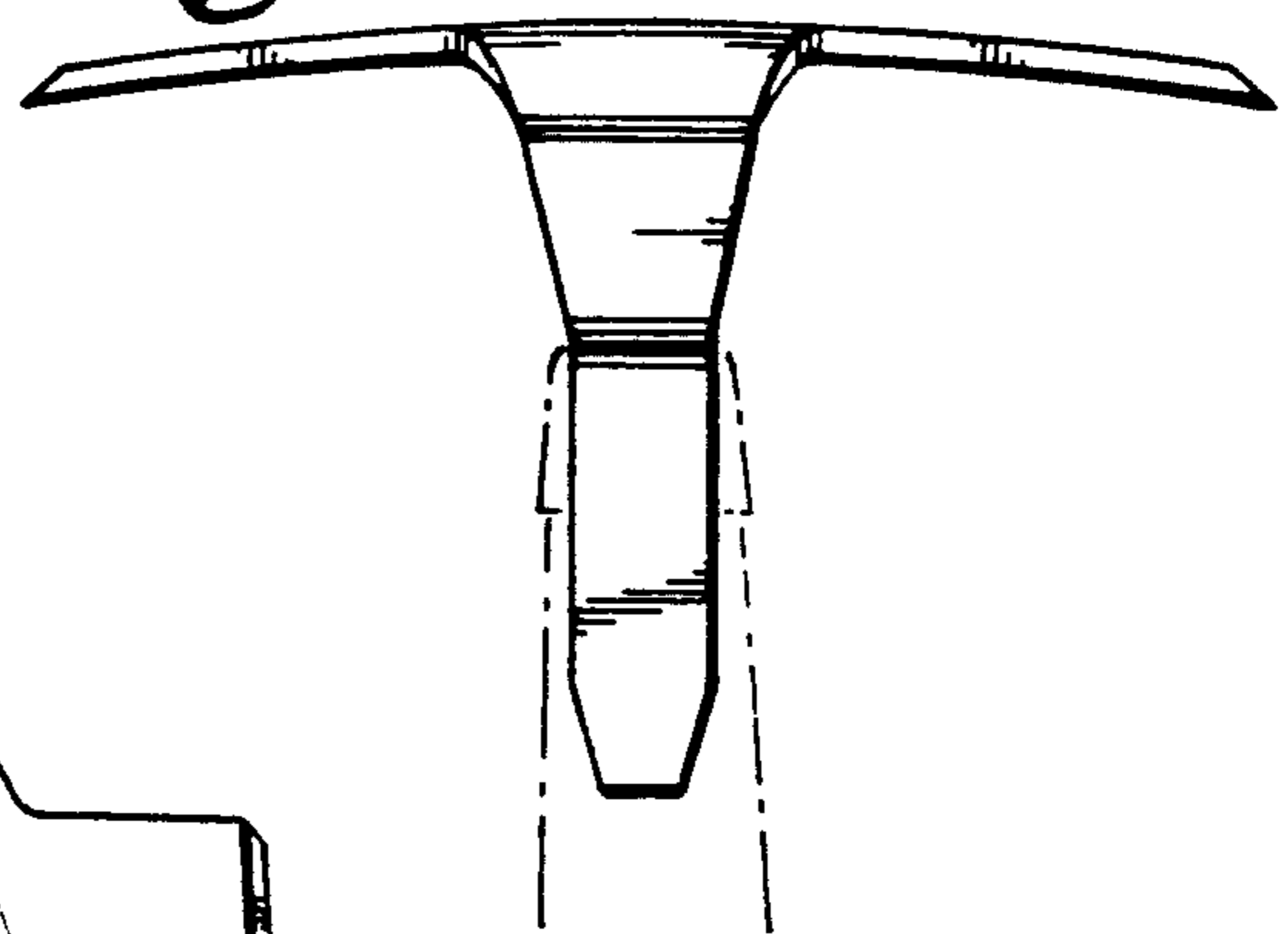
**Fig. 5.**



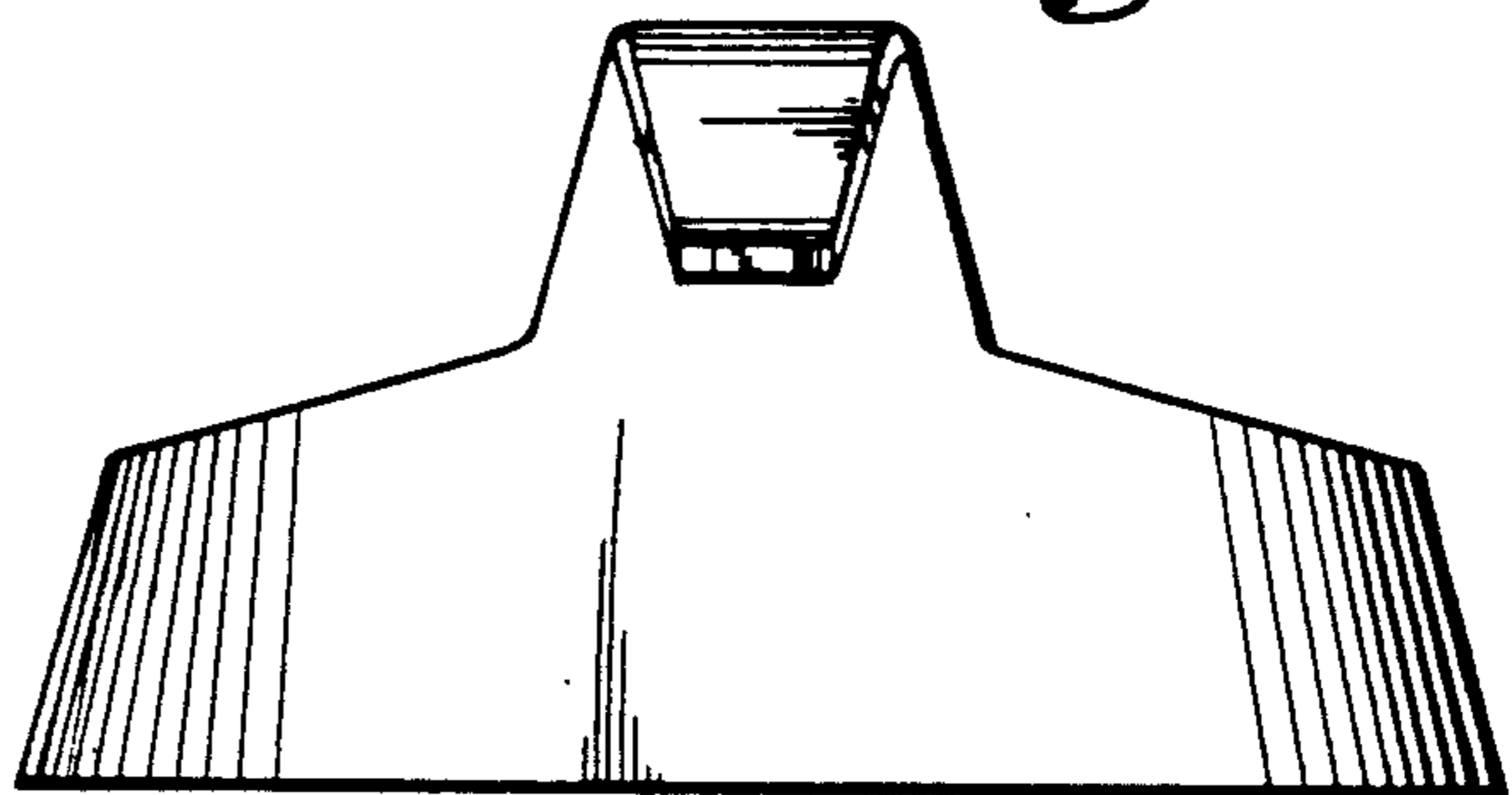
**Fig.7.**



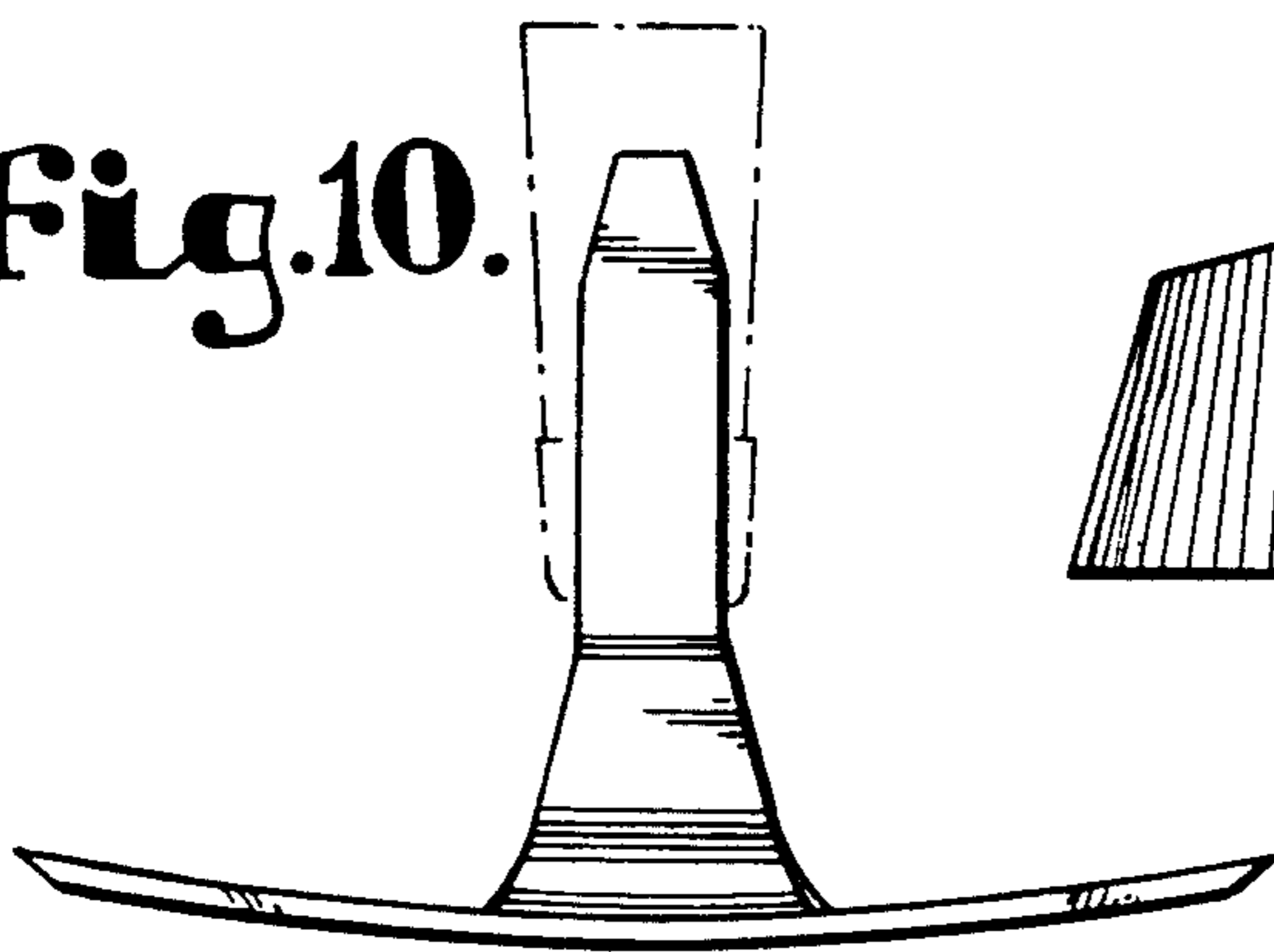
**Fig.8.**



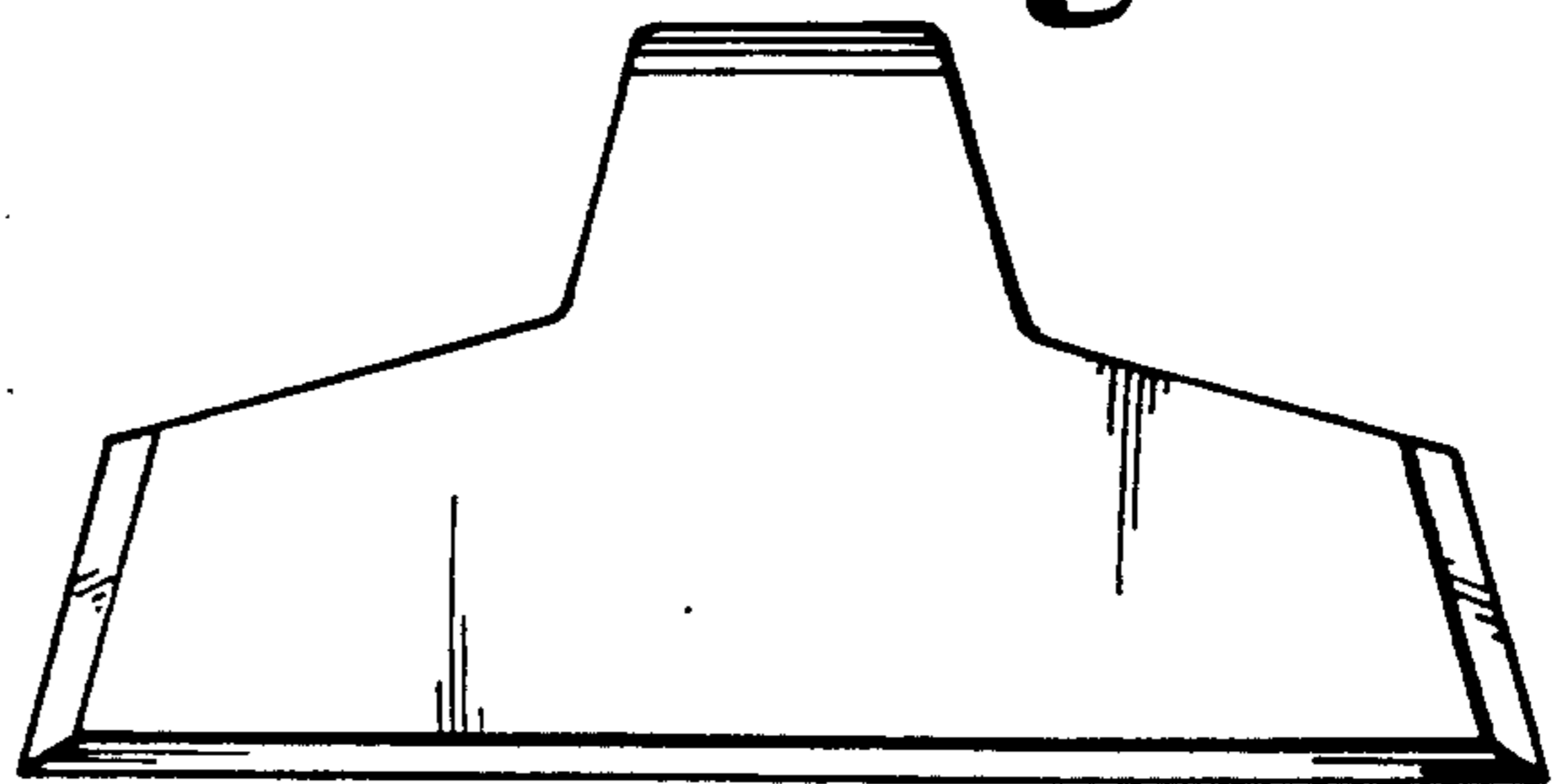
**Fig.9.**



**Fig.10.**



**Fig.12.**



**Fig.11.**

