



US00D340625S

United States Patent [19]
Wang

[11] **Patent Number: Des. 340,625**

[45] **Date of Patent: ** Oct. 26, 1993**

[54] **CEREAL CONTAINER**

[56] **References Cited**

U.S. PATENT DOCUMENTS

[76] **Inventor: Paul S. Wang, 22428 Steeple Chase
La., Diamond Bar, Calif. 91765**

D. 257,124 9/1980 Grip D9/307
D. 311,843 11/1990 Yah D7/695
950,844 3/1910 Dolan 220/526 X

[**] **Term: 14 Years**

Primary Examiner—Terry A. Wallace
Attorney, Agent, or Firm—Keith D. Beecher

[21] **Appl. No.: 844,691**

[57] **CLAIM**

The ornamental design for a cereal container, as shown.

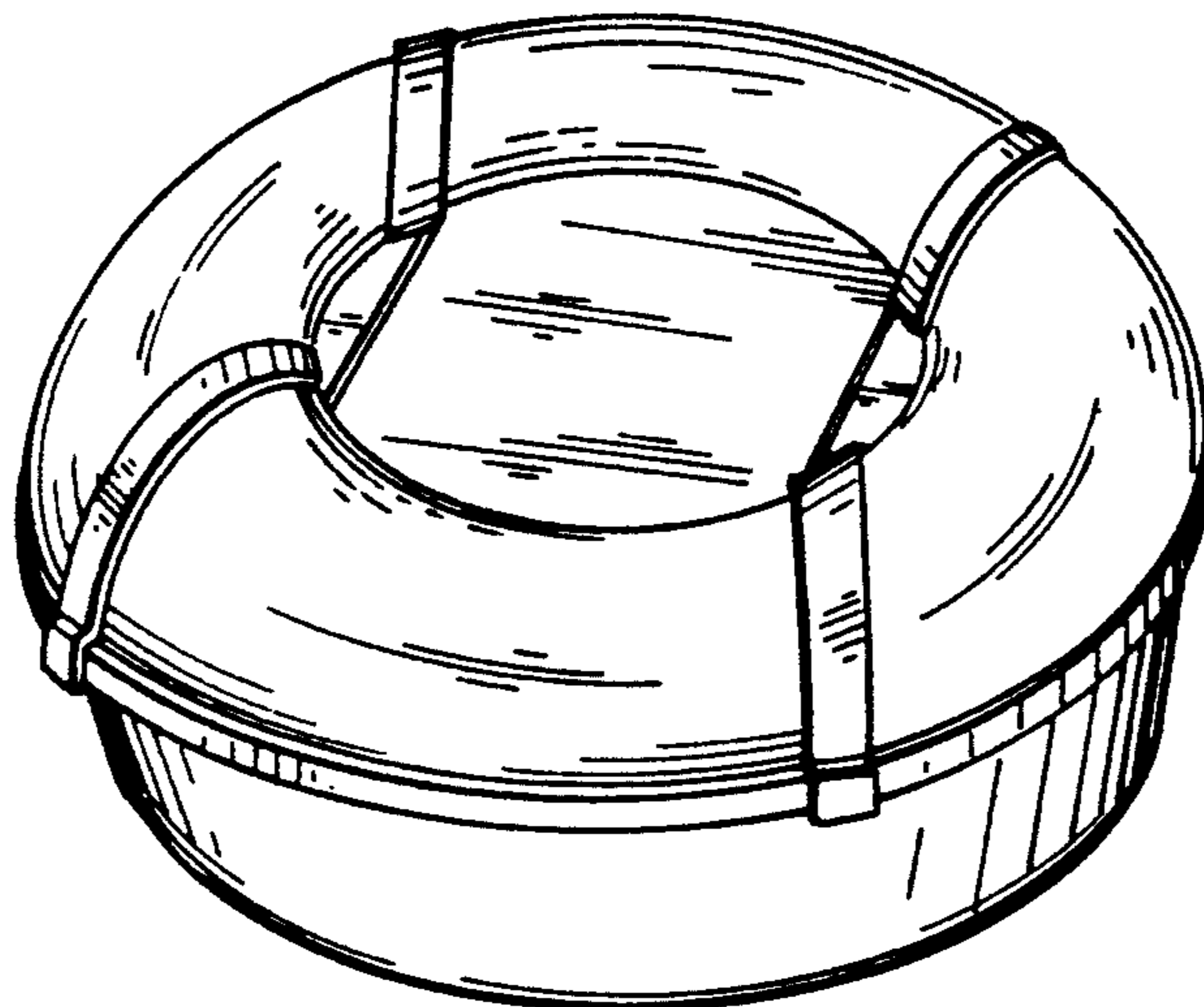
DESCRIPTION

[22] **Filed: Mar. 2, 1992**

[52] **U.S. Cl. D7/629; D9/307**

[58] **Field of Search D7/601, 628, 629;
D9/307, 329, 428; 220/523-524, 526, 555-556,
574-575, 377**

FIG. 1 is a perspective view of the cereal container showing my new design;
FIG. 2 is a top plan view thereof;
FIG. 3 is a bottom plan view thereof; and,
FIG. 4 is a side elevational view thereof.



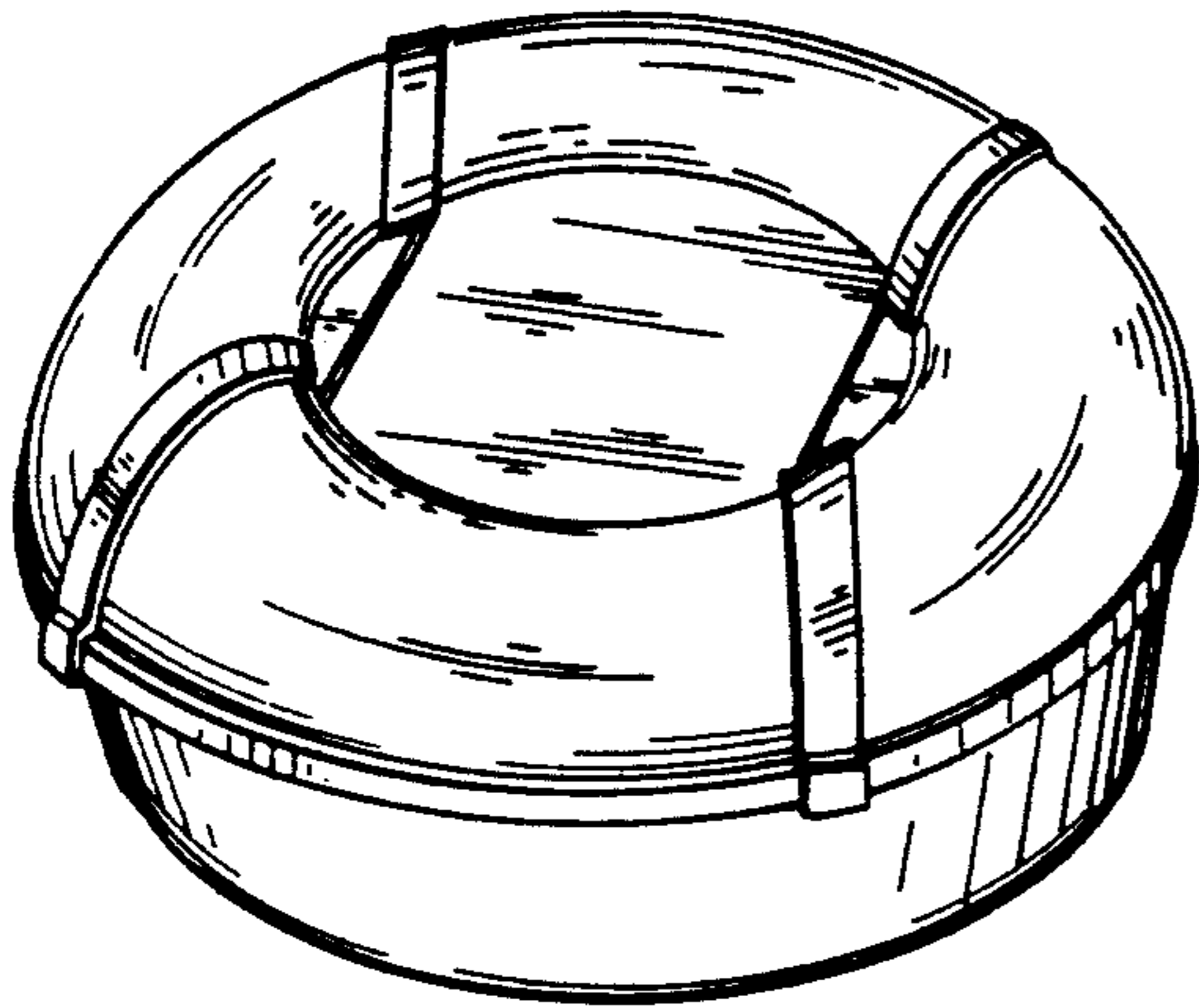


FIG. 1

FIG. 2

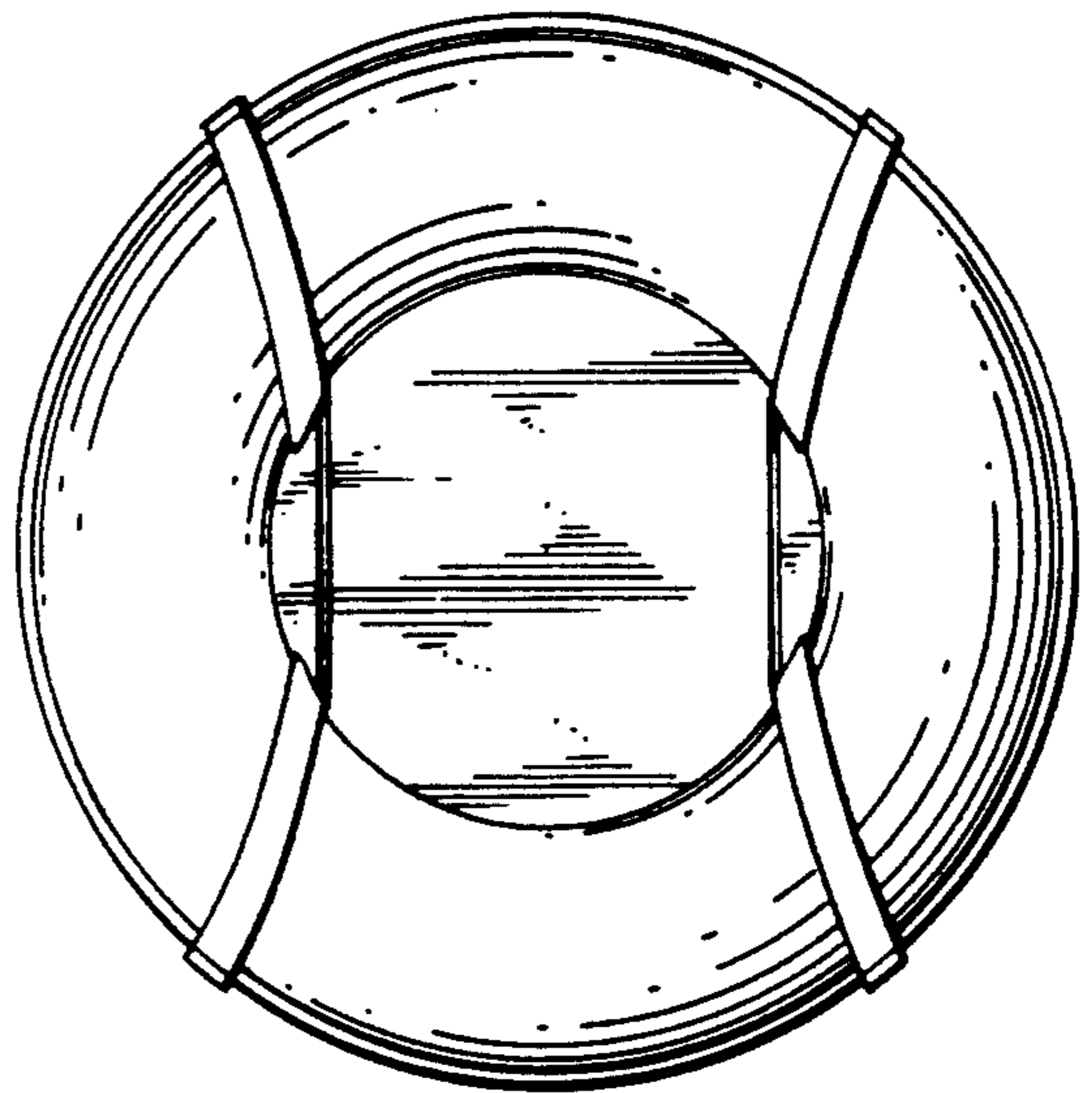


FIG. 3

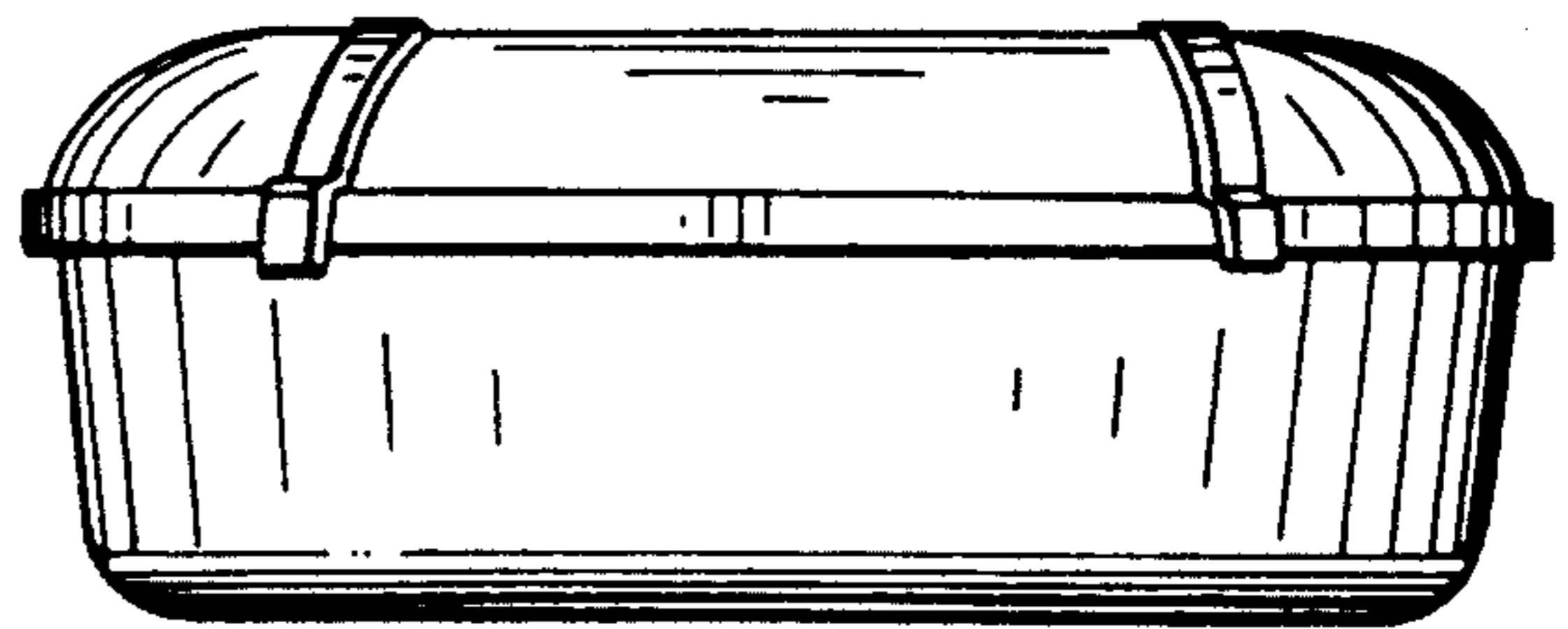
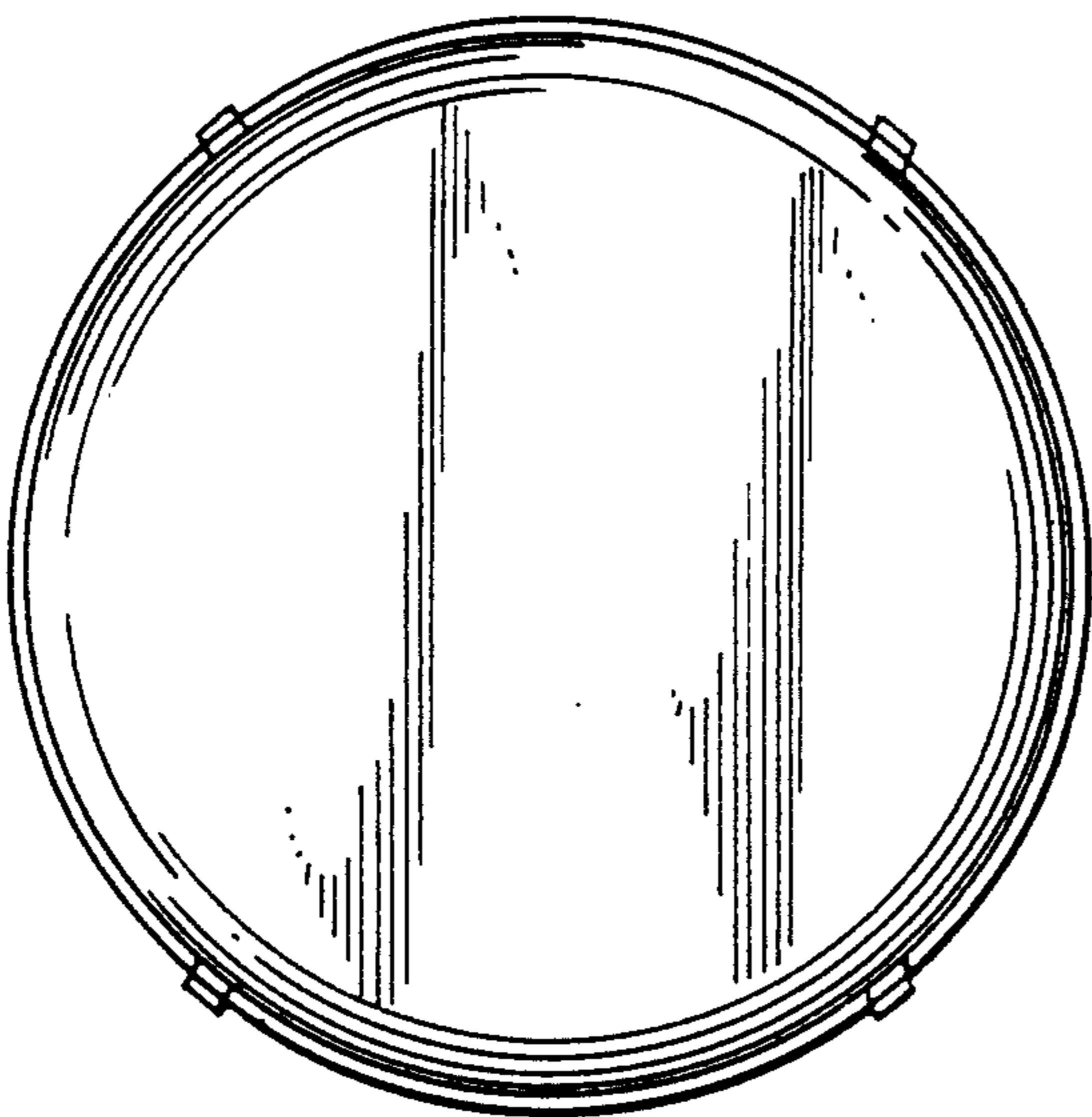


FIG. 4