



US00D340624S

United States Patent [19]
Chen

[11] **Patent Number: Des. 340,624**

[45] **Date of Patent: ** Oct. 26, 1993**

[54] **LUNCH BOX WITH HANDLE**

2,673,454 3/1954 Gallie et al. 62/457.1 X

[76] **Inventor: Chie-Chou Chen, 340 Fu Lien Rd.,
Tainan, Taiwan**

*Primary Examiner—Terry A. Pfeffer Wallace
Attorney, Agent, or Firm—Varndell Legal Group*

[**] **Term: 14 Years**

[57] **CLAIM**

[21] **Appl. No.: 832,481**

The ornamental design for lunch box with handle, as shown and described.

[22] **Filed: Feb. 6, 1992**

[52] **U.S. Cl. D7/626**

[58] **Field of Search D7/626-629,
D7/605; D3/30.1, 42, 72, 76; 206/545, 541,
223, 546; 62/457.1, 457.7**

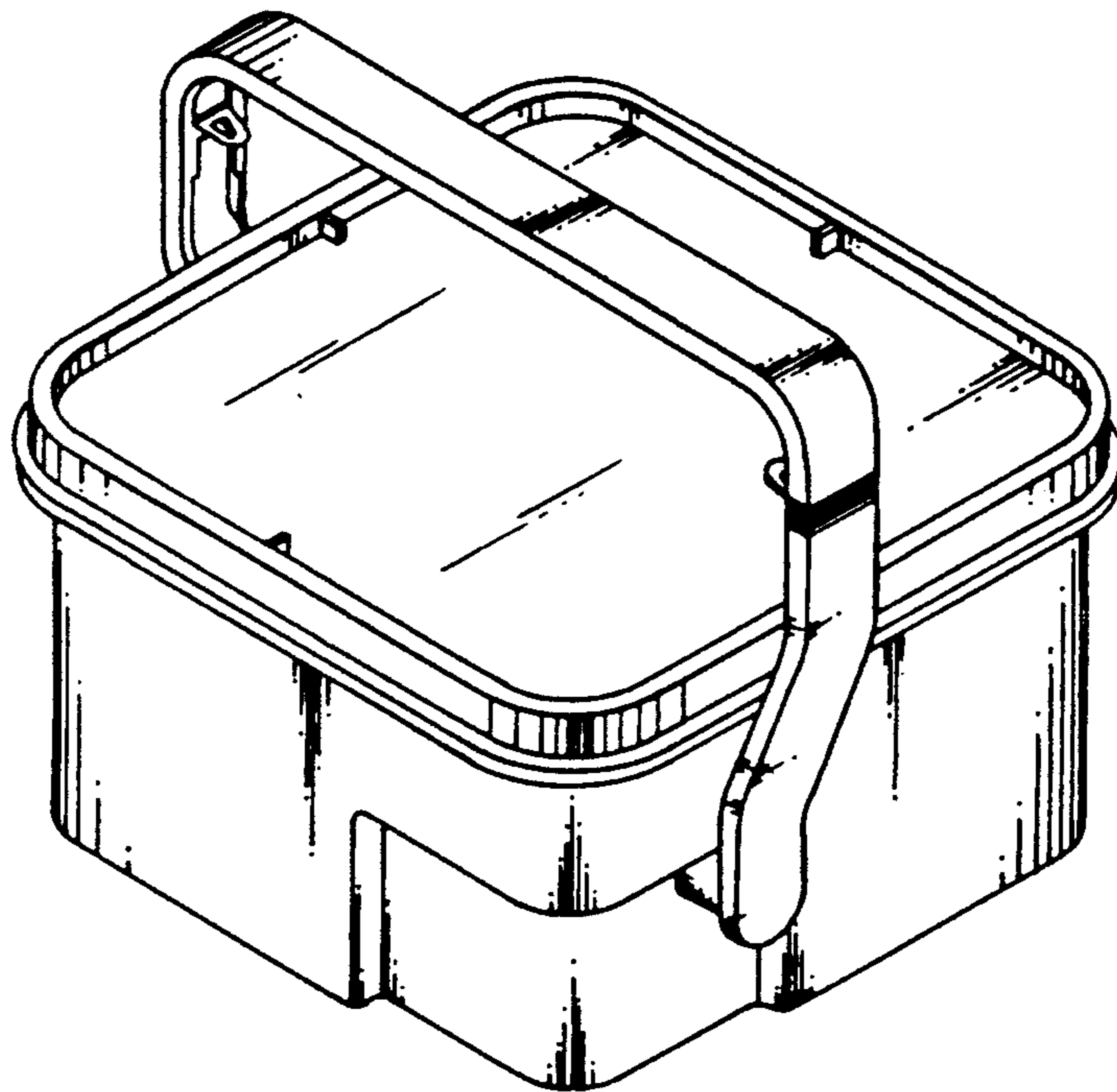
DESCRIPTION

FIG. 1 is a perspective view of lunch box with handle taken from above showing my new design;
FIG. 2 is a front elevational view and the rear elevational being the same thereof;
FIG. 3 is a left side elevational view and the right side elevational view being a mirror image thereof;
FIG. 4 is a top plan view thereof; and,
FIG. 5 is a bottom plan view thereof.

[56] **References Cited**

U.S. PATENT DOCUMENTS

D. 283,480 4/1986 Bailey D7/605



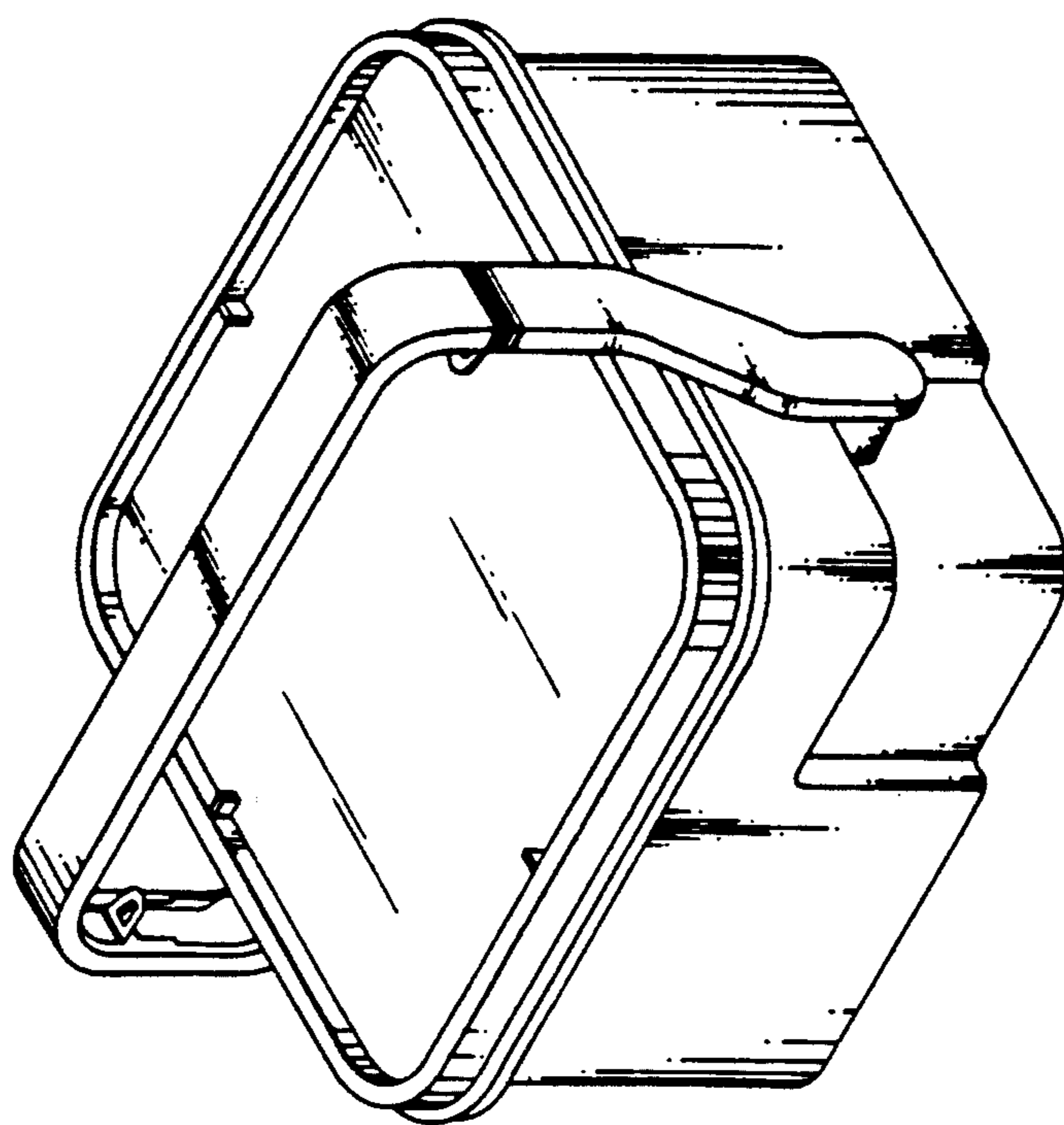


FIG. 1

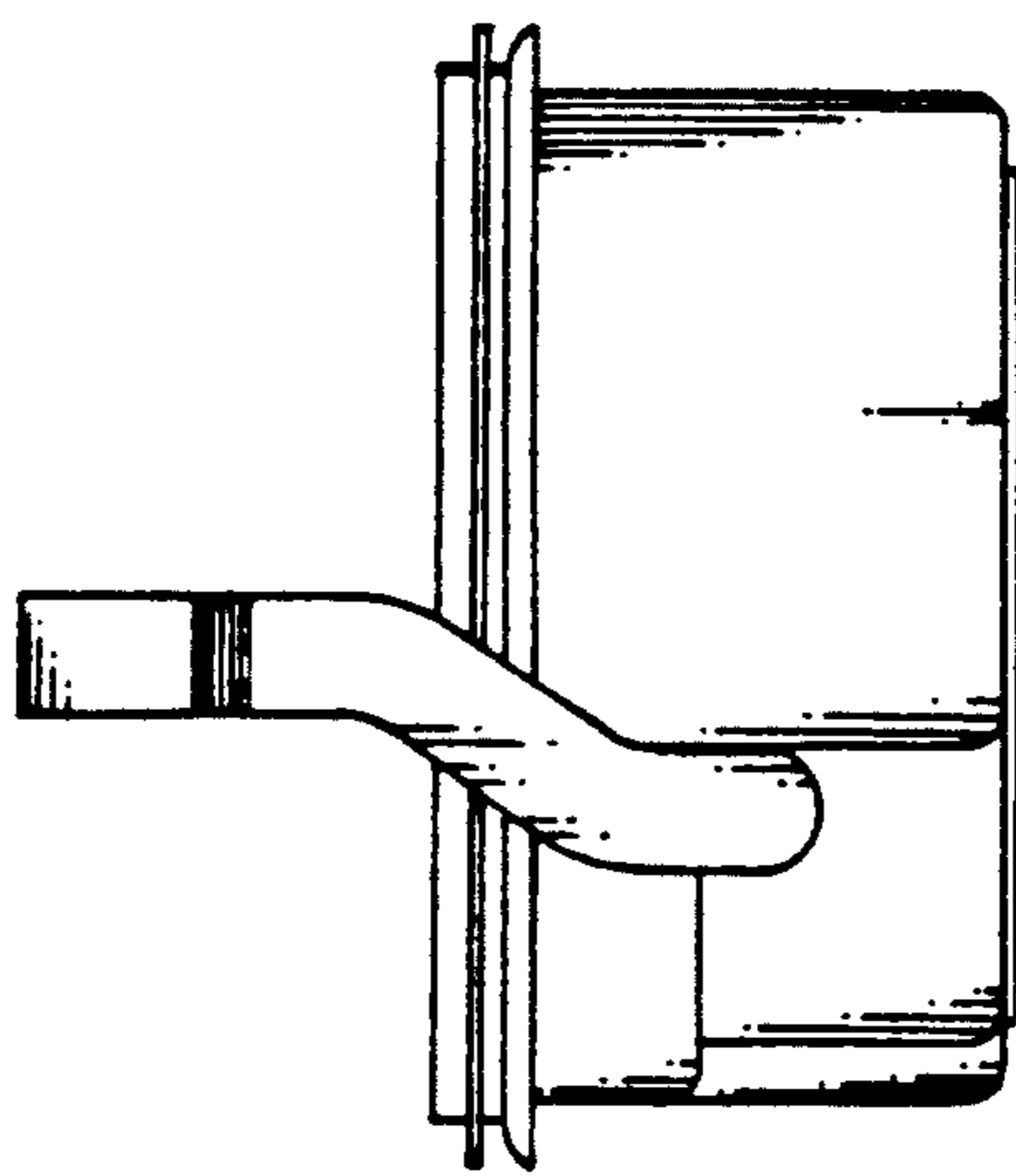


FIG. 3

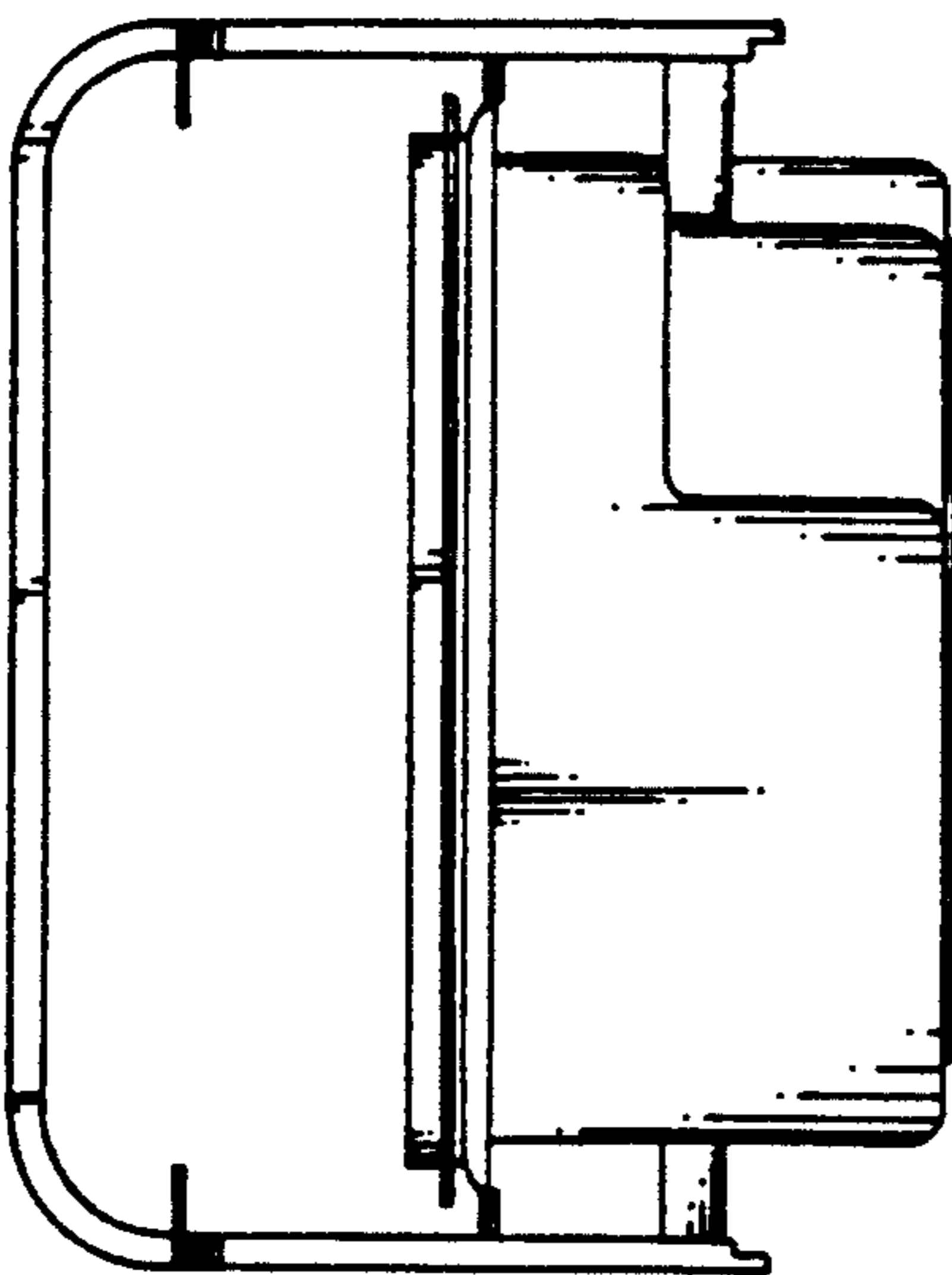


FIG. 2

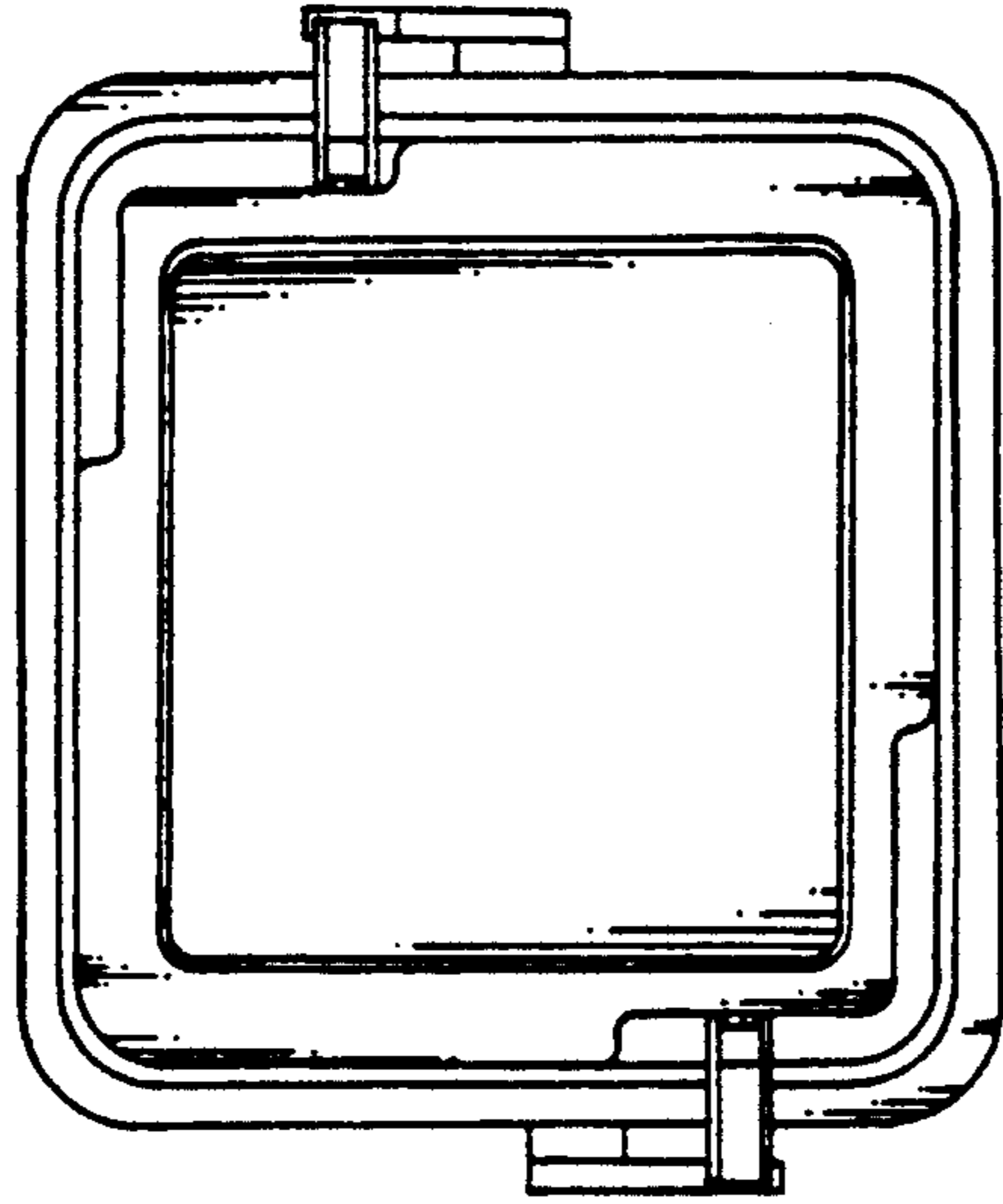


FIG. 5

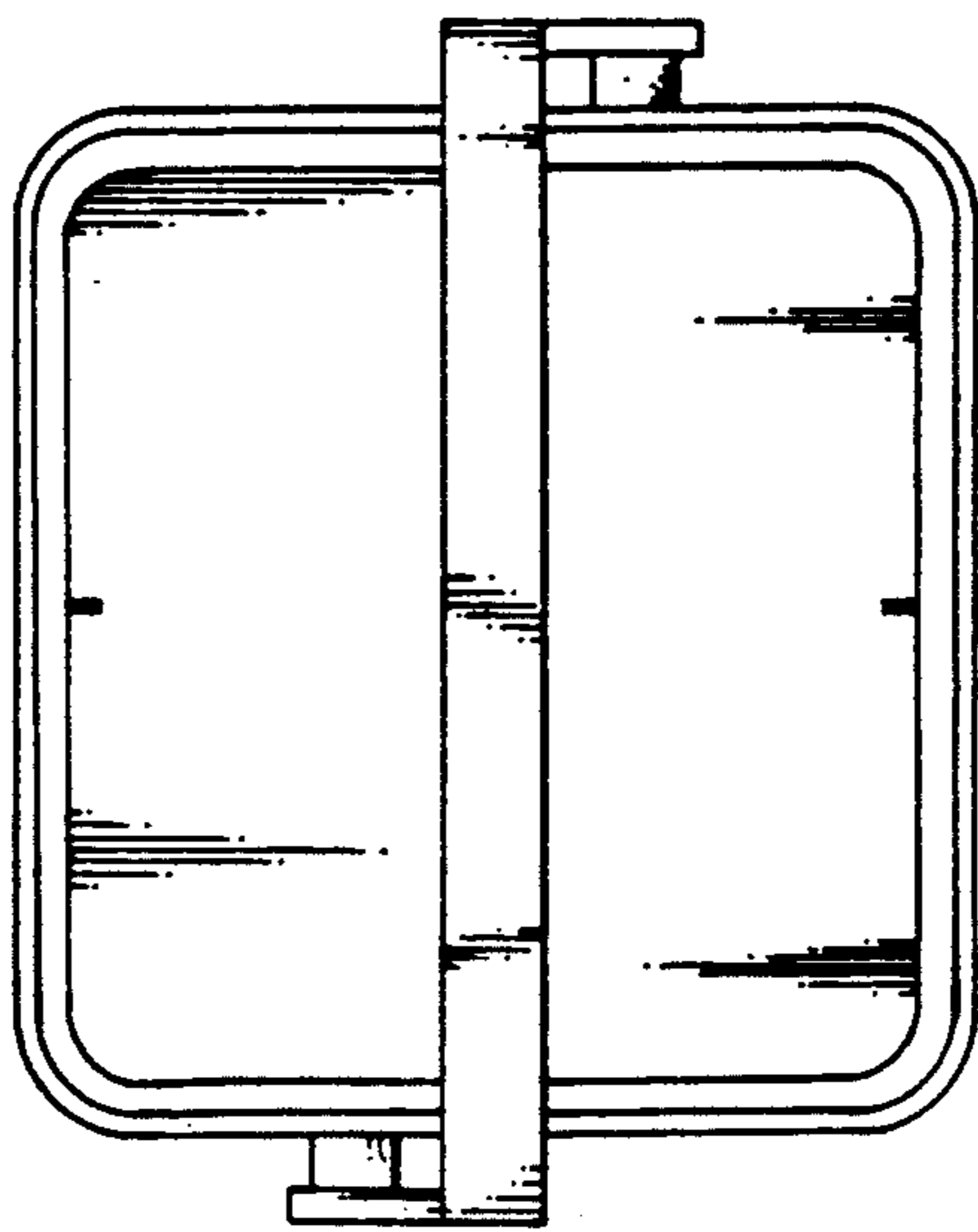


FIG. 4