



US00D340623S

# United States Patent [19]

[11] Patent Number: **Des. 340,623**

Ryan

[45] Date of Patent: **\*\* Oct. 26, 1993**

[54] **HOLDER FOR A DRINK CONTAINER**

3,938,869	2/1976	Josey	.....	312/100
4,032,054	6/1977	Duncan	.....	224/29 B
4,552,276	11/1985	Büch	.....	220/737 X
4,726,470	2/1988	Liebeizman	.....	D7/622 X

[76] Inventor: **Maxim J. Ryan, 4 Paravista Street, Kerrydale QLD 4226, Australia**

[\*\*] Term: **14 Years**

*Primary Examiner*—Terry A. Pfeffer Wallace  
*Attorney, Agent, or Firm*—Kimmel, Crowell & Weaver

[21] Appl. No.: **824,262**

[57] **CLAIM**

[22] Filed: **Jan. 23, 1992**

The ornamental design for a holder for a drink container, as shown and described.

[30] **Foreign Application Priority Data**

**DESCRIPTION**

Jul. 25, 1991 [AU] Australia ..... 2141/91

[52] U.S. Cl. .... **D7/622; D7/536**

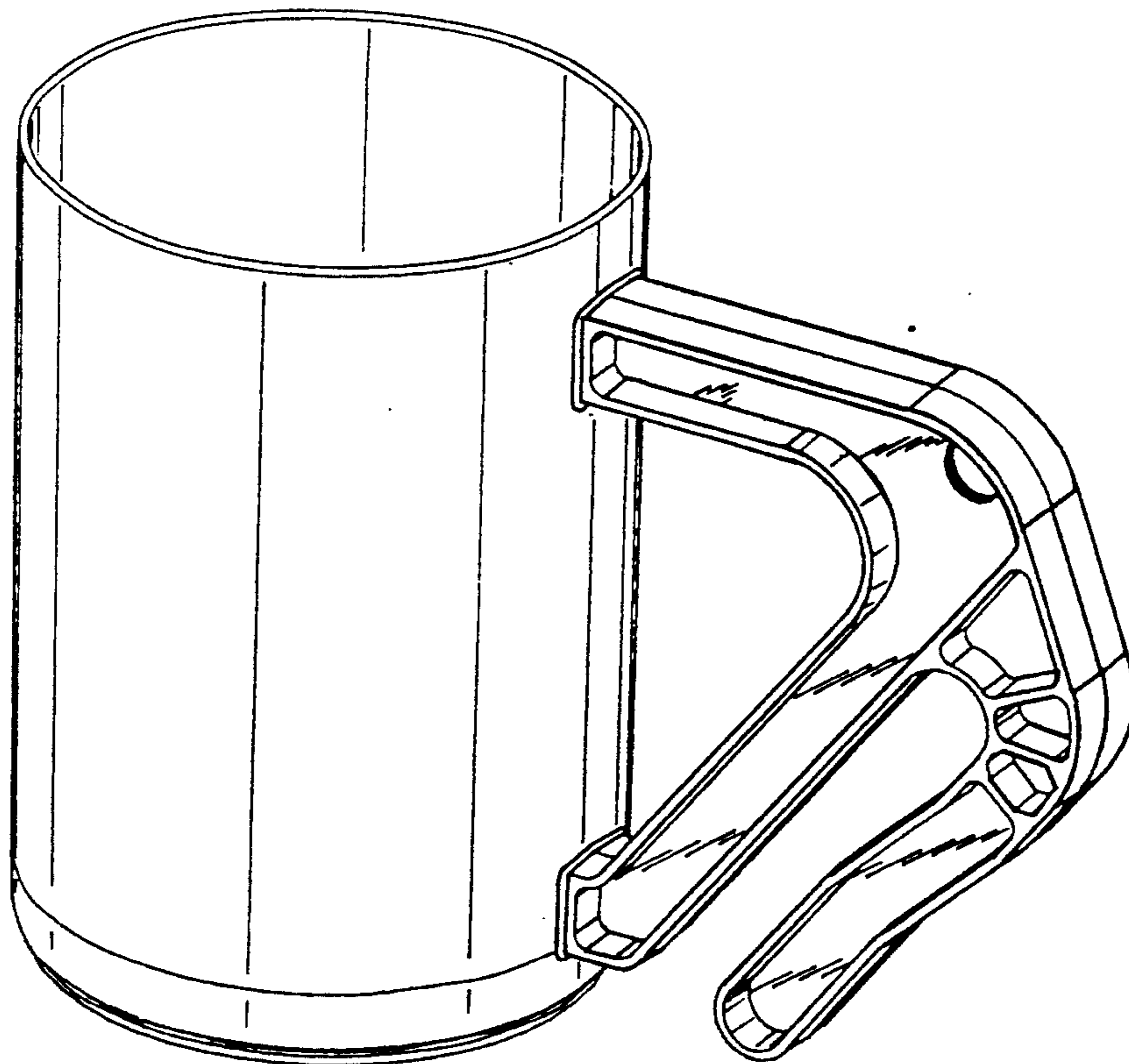
[58] Field of Search ..... **D7/509-514, D7/616-625, 533-536; D9/455; 211/74, 75; 248/311.2; 220/737.8; 224/274**

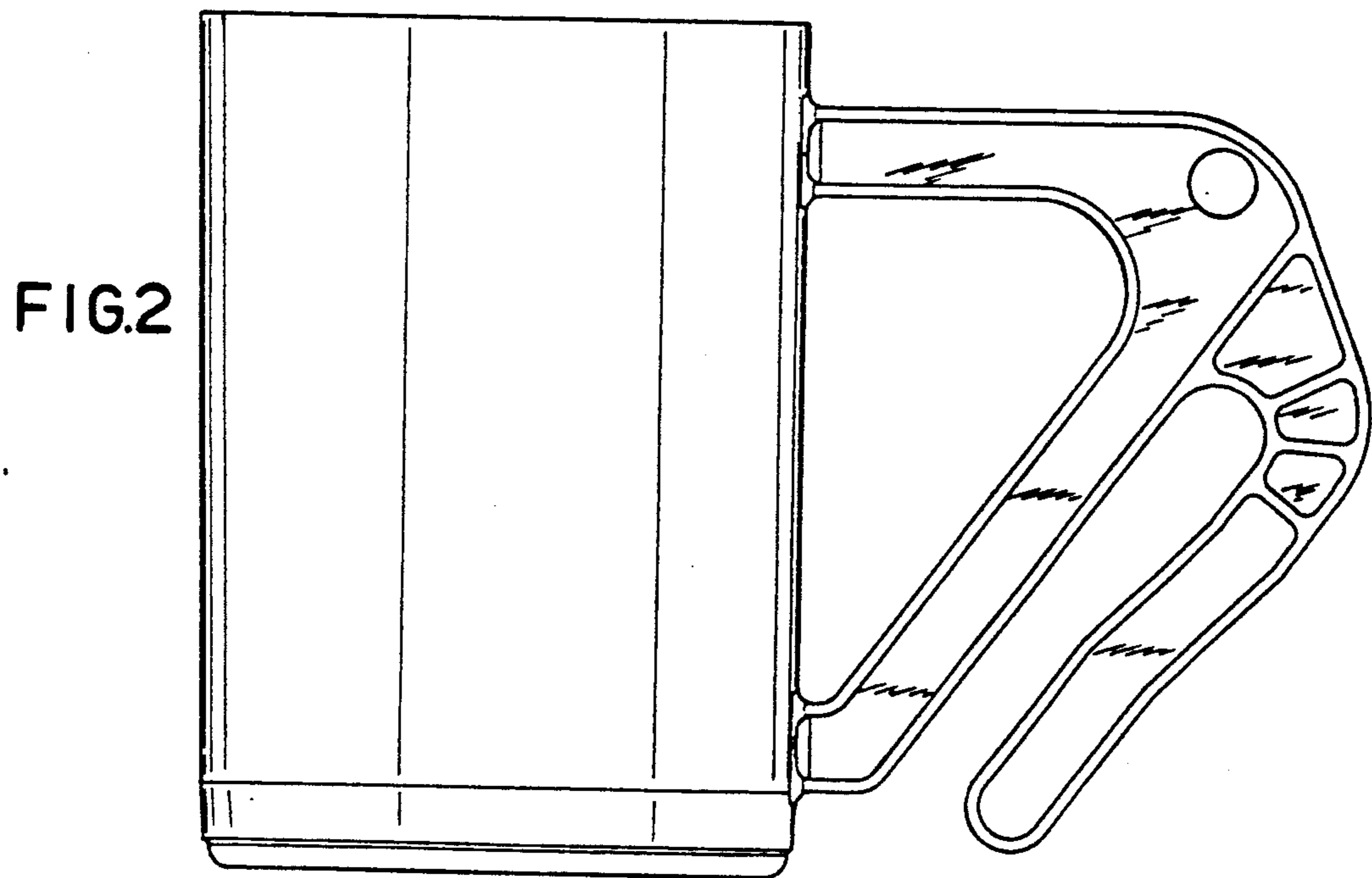
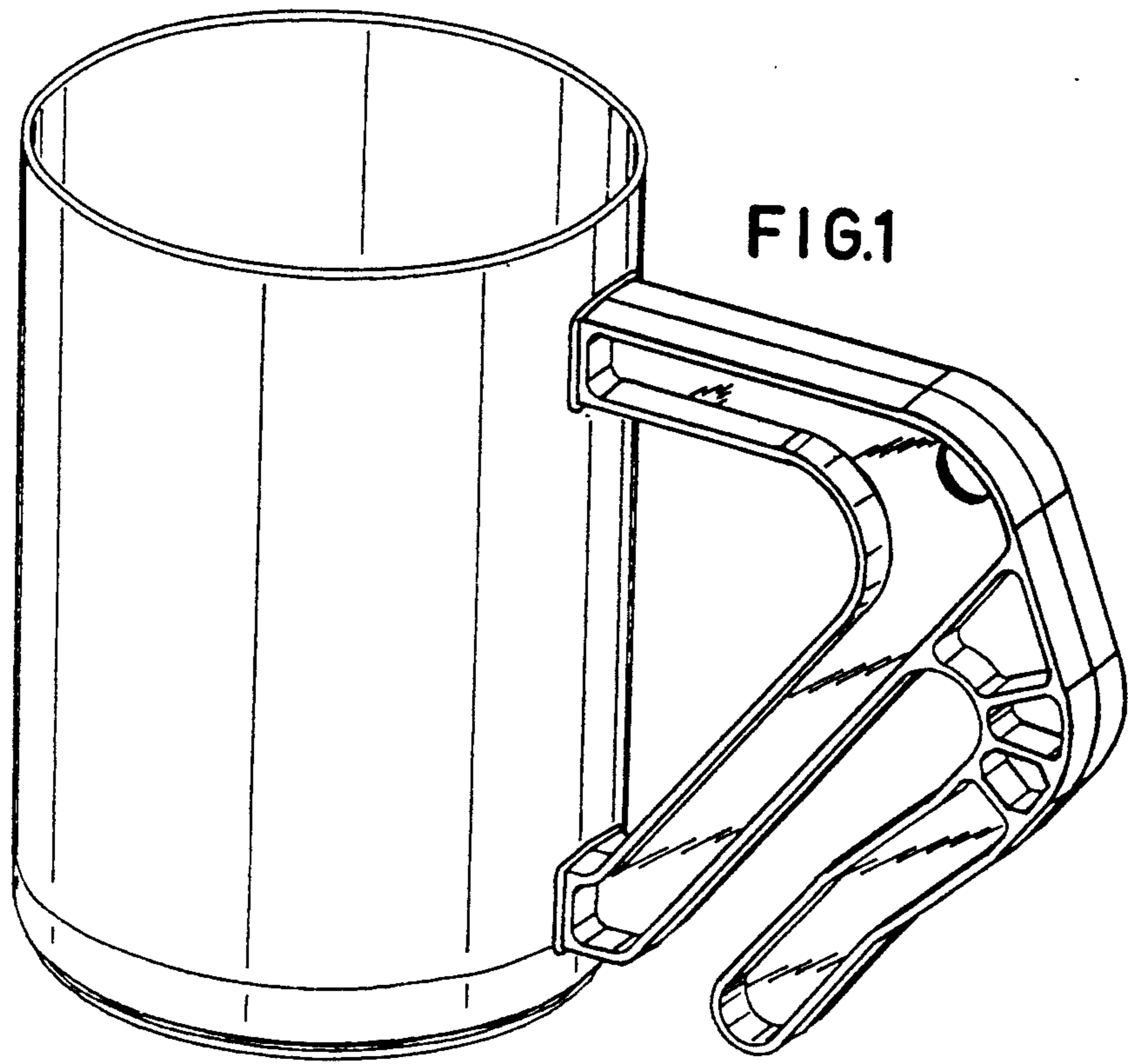
FIG. 1 is a perspective view of a drink container holder showing my new design;  
FIG. 2 is a front elevational view thereof the opposite side being a mirror image;  
FIG. 3 is a right side elevational view thereof;  
FIG. 4 is a left side elevational view thereof;  
FIG. 5 is a top plan view thereof; and,  
FIG. 6 is a bottom plan view thereof.

[56] **References Cited**

**U.S. PATENT DOCUMENTS**

D. 233,118 10/1974 Finn ..... D7/622





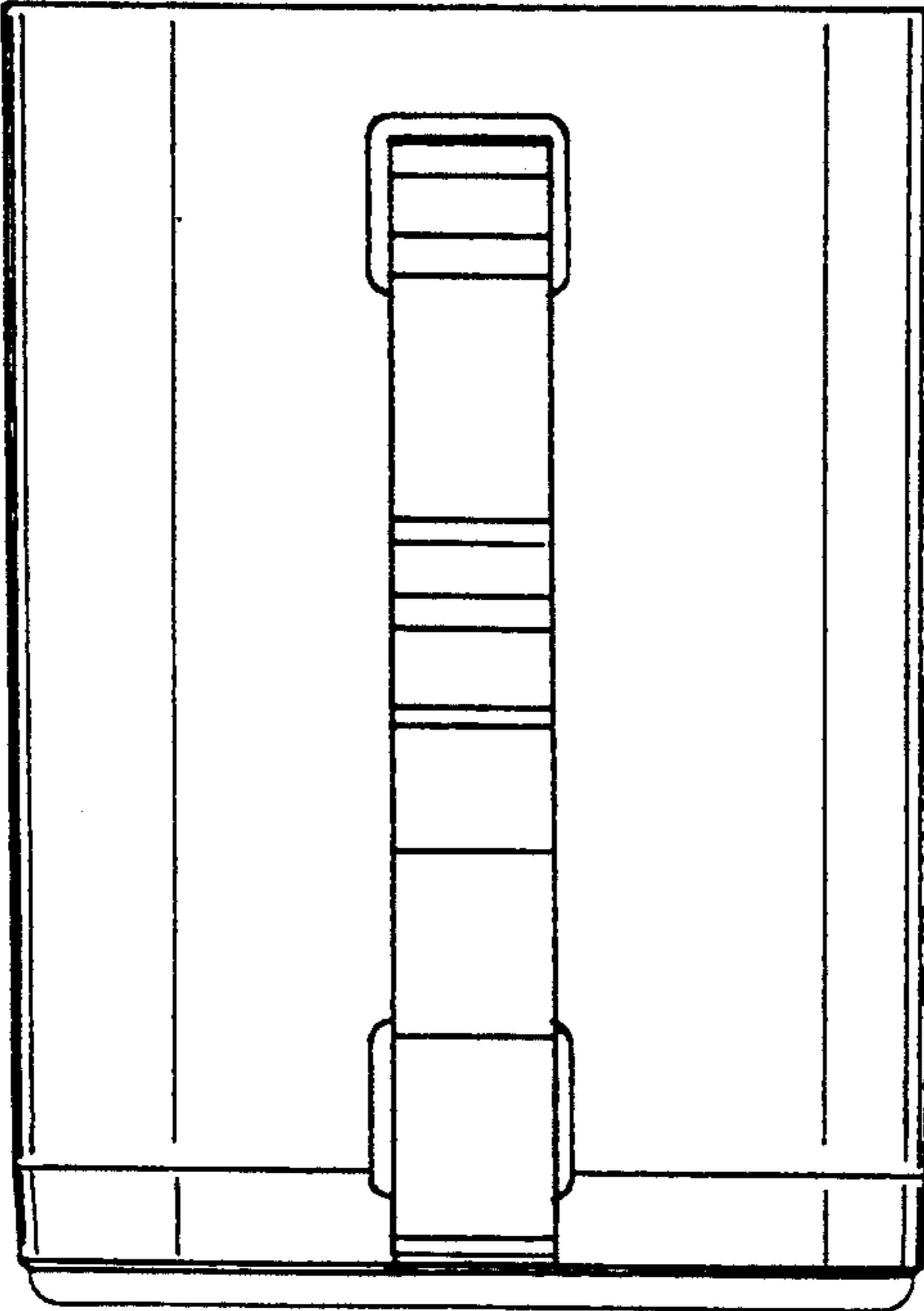


FIG.3

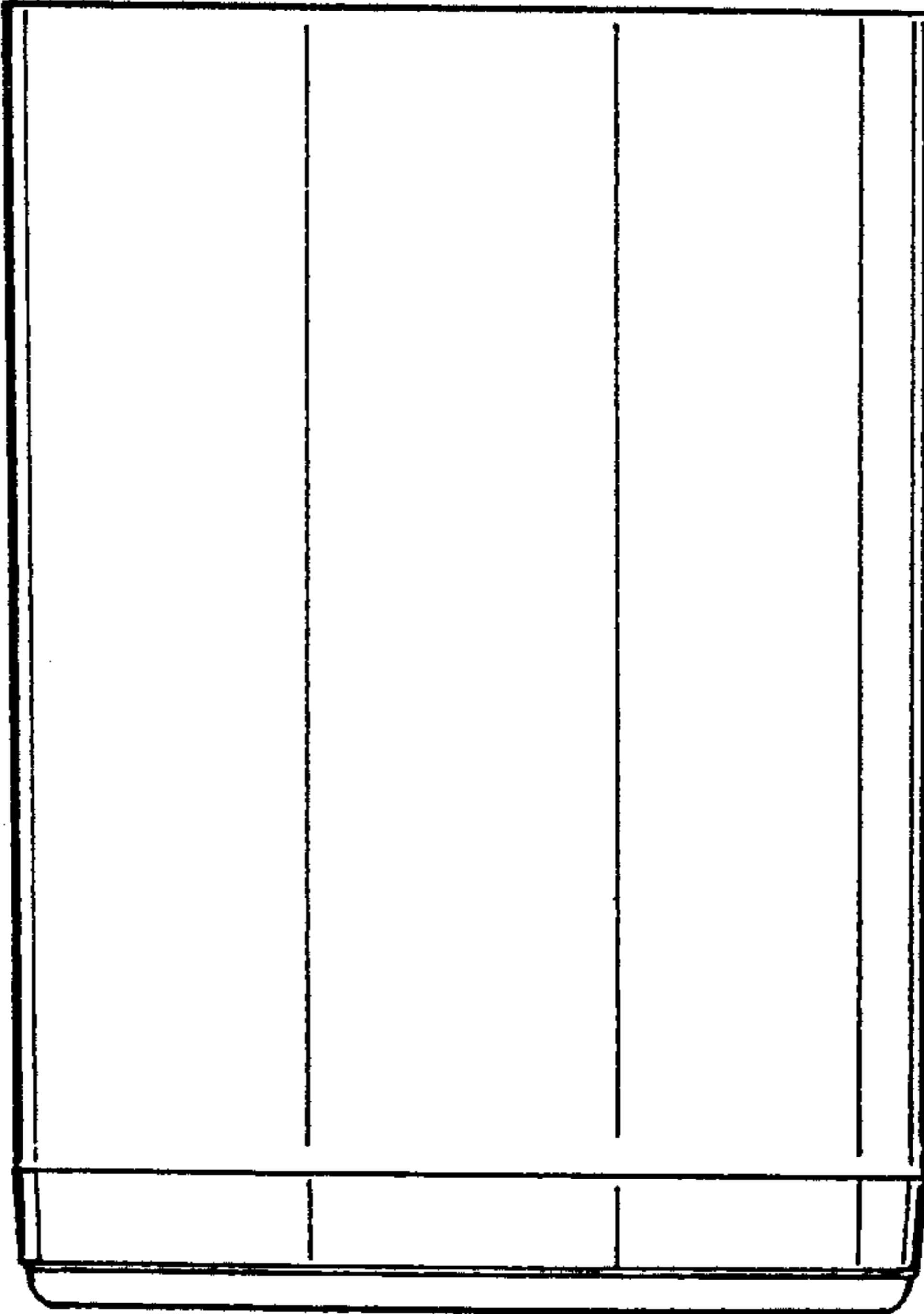


FIG.4

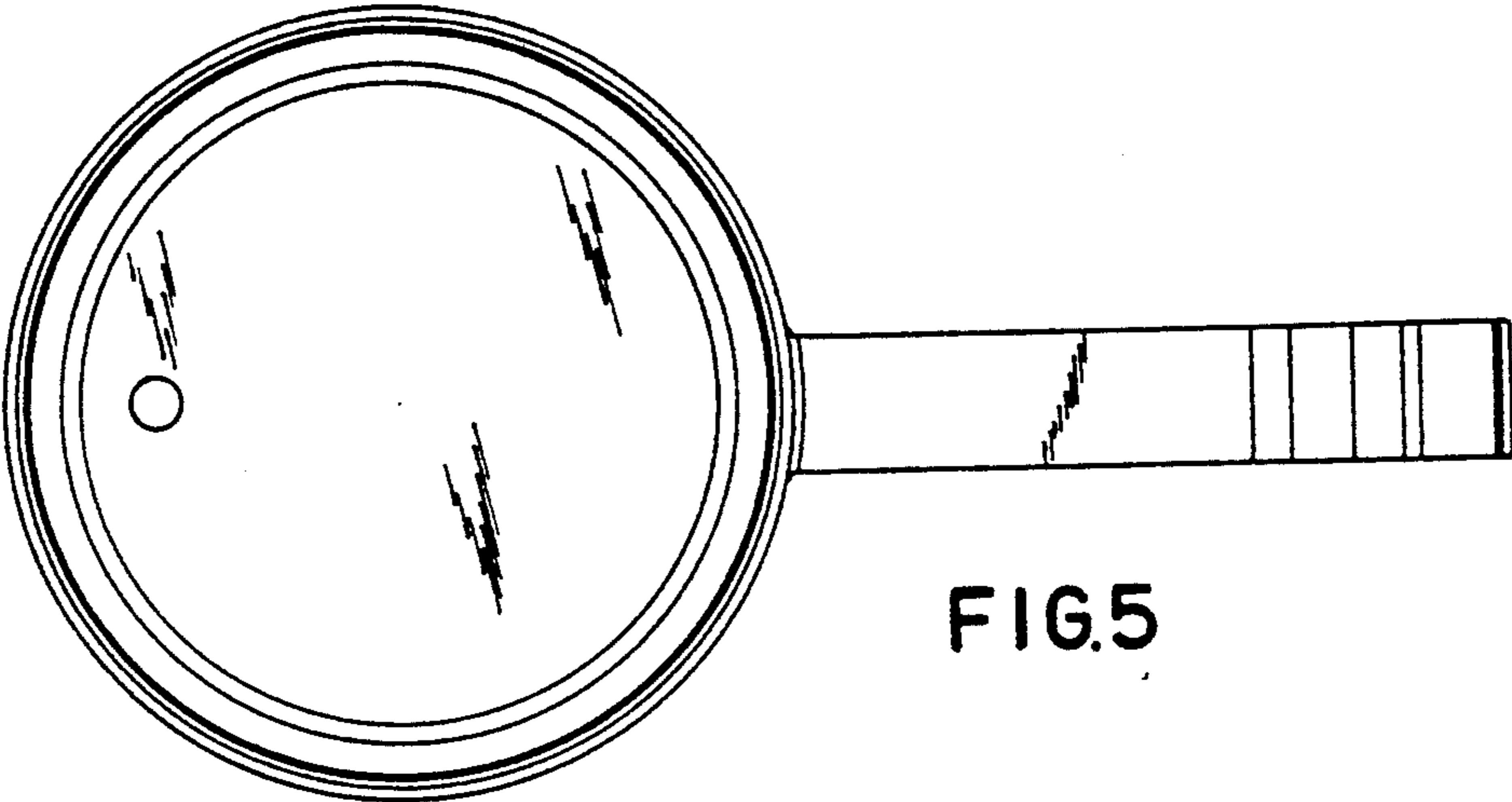


FIG.5

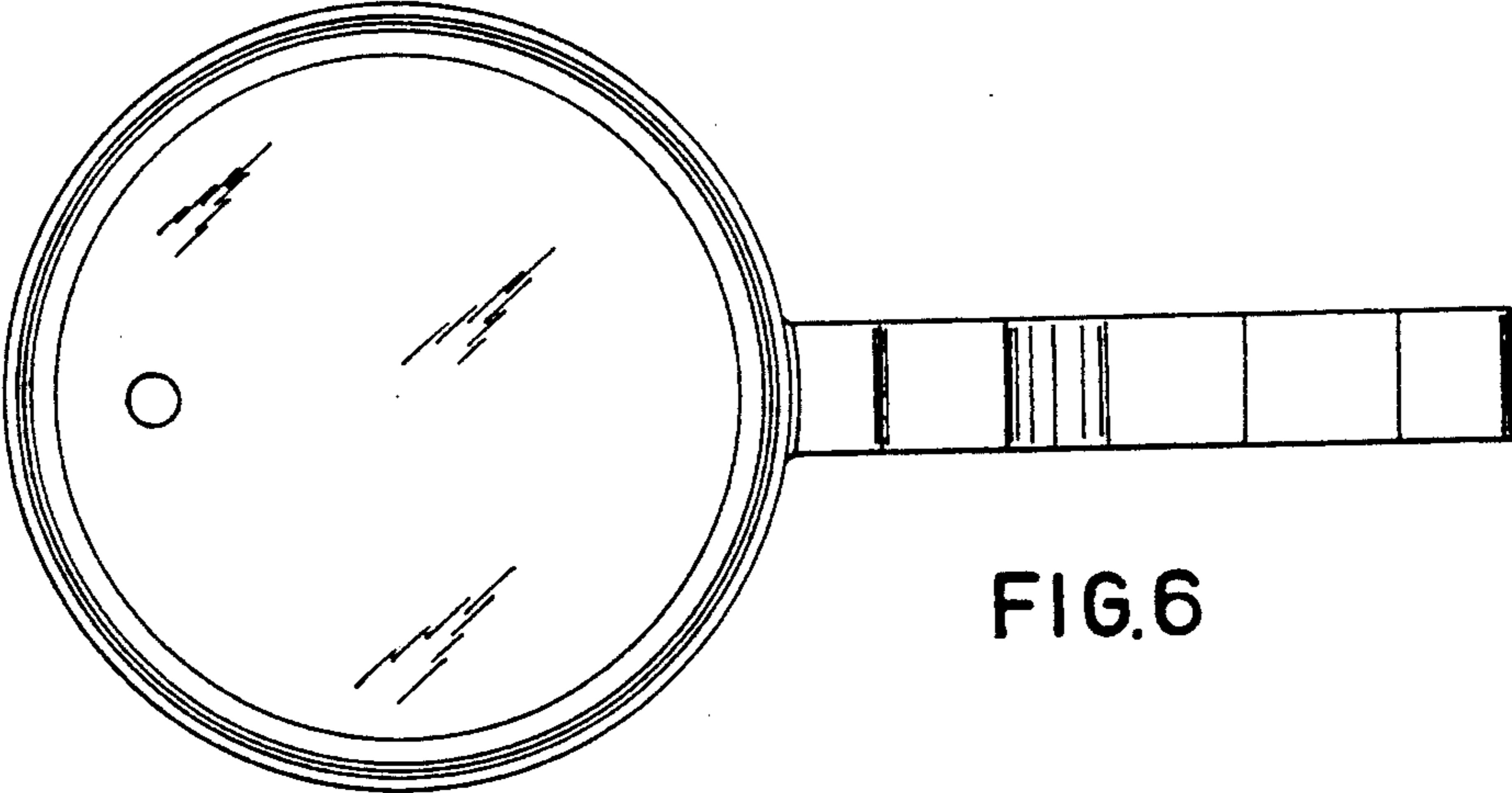


FIG.6