



US00D340620S

United States Patent [19]

[11] Patent Number: Des. 340,620

Peters

[45] Date of Patent: ** Oct. 26, 1993

[54] WHEELED PICNIC COOLER

4,846,493 7/1989 Mason D34/19
4,873,841 10/1989 Bradshaw 62/457.7

[76] Inventor: Calvin R. Peters, 351 N. Hardwick SW., Grand Rapids, Mich. 49548

Primary Examiner—Terry A. Pfeffer Wallace
Attorney, Agent, or Firm—Terry M. Gernstein

[**] Term: 14 Years

[57] CLAIM

[21] Appl. No.: 845,477

The ornamental design for a wheeled picnic cooler, as shown and described.

[22] Filed: Mar. 6, 1992

[52] U.S. Cl. D7/605

[58] Field of Search D7/605; D15/79, 81, D15/83; D34/12, 24, 25, 19; 62/457.1, 457.7, 239; 206/541, 545; 280/43.1, 43.24, 651-652, 645

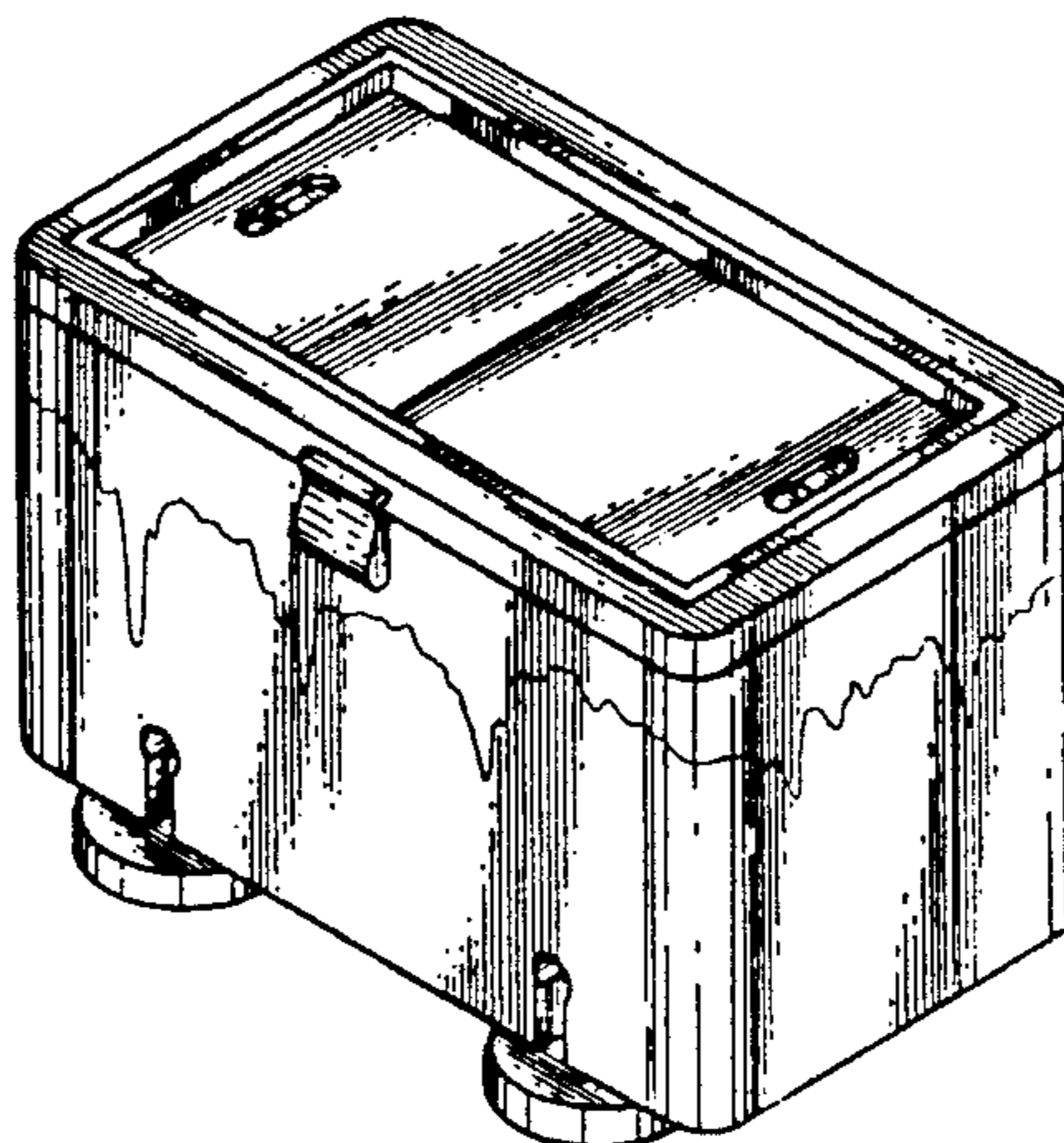
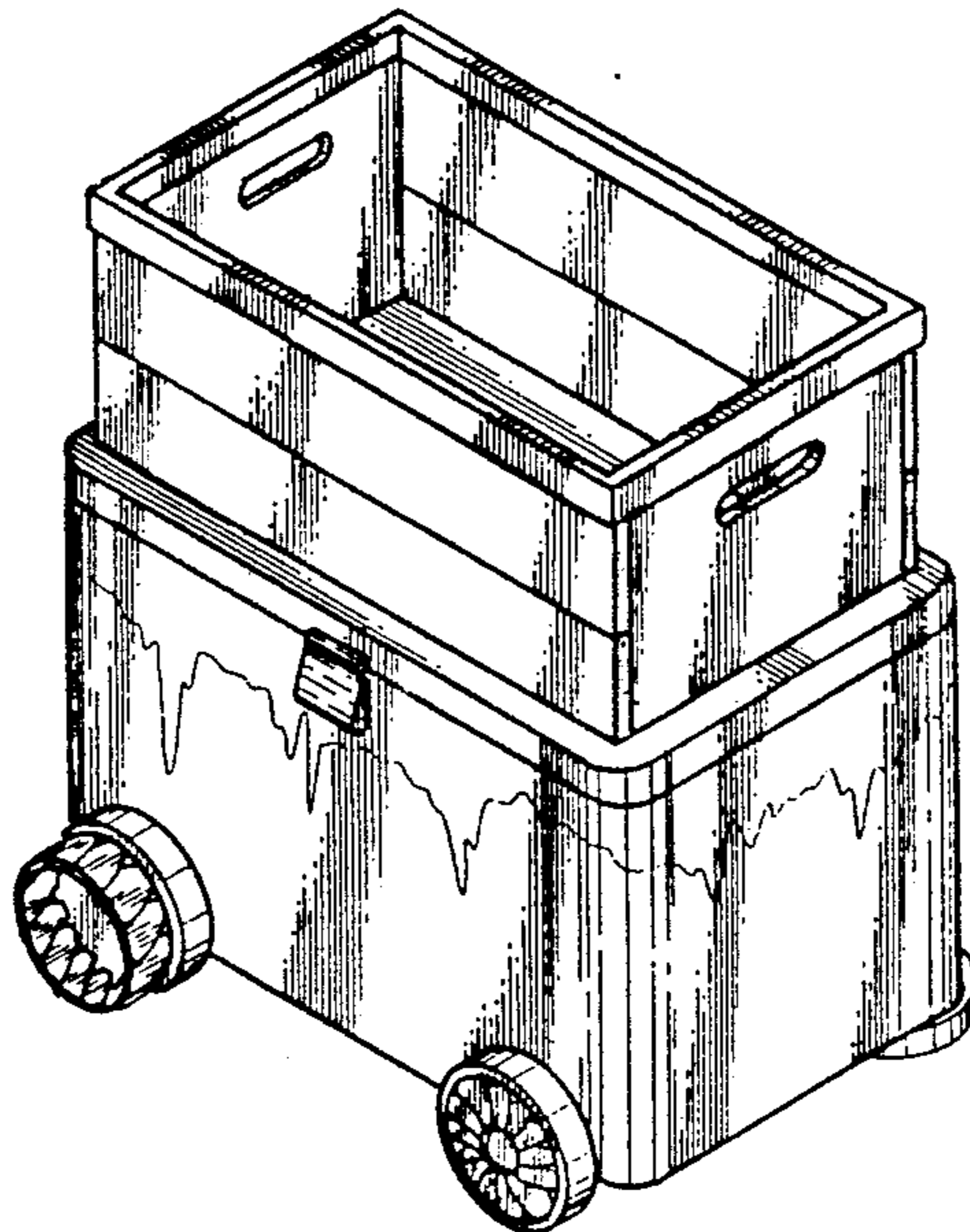
DESCRIPTION

FIG. 1 is a perspective view of the wheeled picnic cooler showing my new design in an open position; FIG. 2 is a front elevational view thereof; FIG. 3 is a rear elevational view thereof; FIG. 4 is a left side elevational view thereof, the opposite side being a mirror image; FIG. 5 is a top plan view thereof; FIG. 6 is a bottom view thereof; and, FIG. 7 is a perspective view thereof in the closed condition.

[56] References Cited

U.S. PATENT DOCUMENTS

D. 328,221 7/1992 Piccarillo D7/605
3,591,194 7/1971 Vega 62/457.7
4,724,681 2/1988 Bartholomew 62/457.7



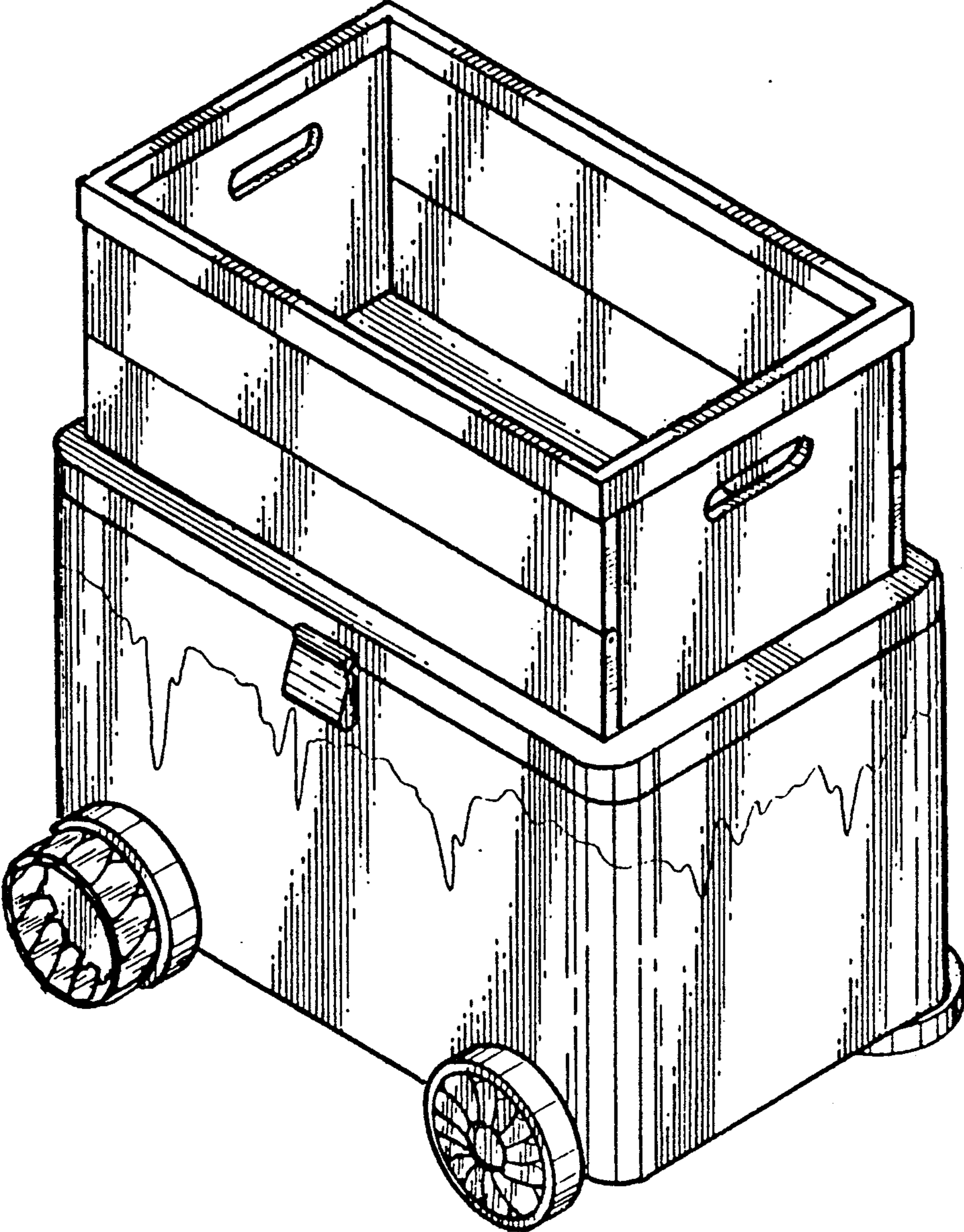


FIG. 1

FIG. 2

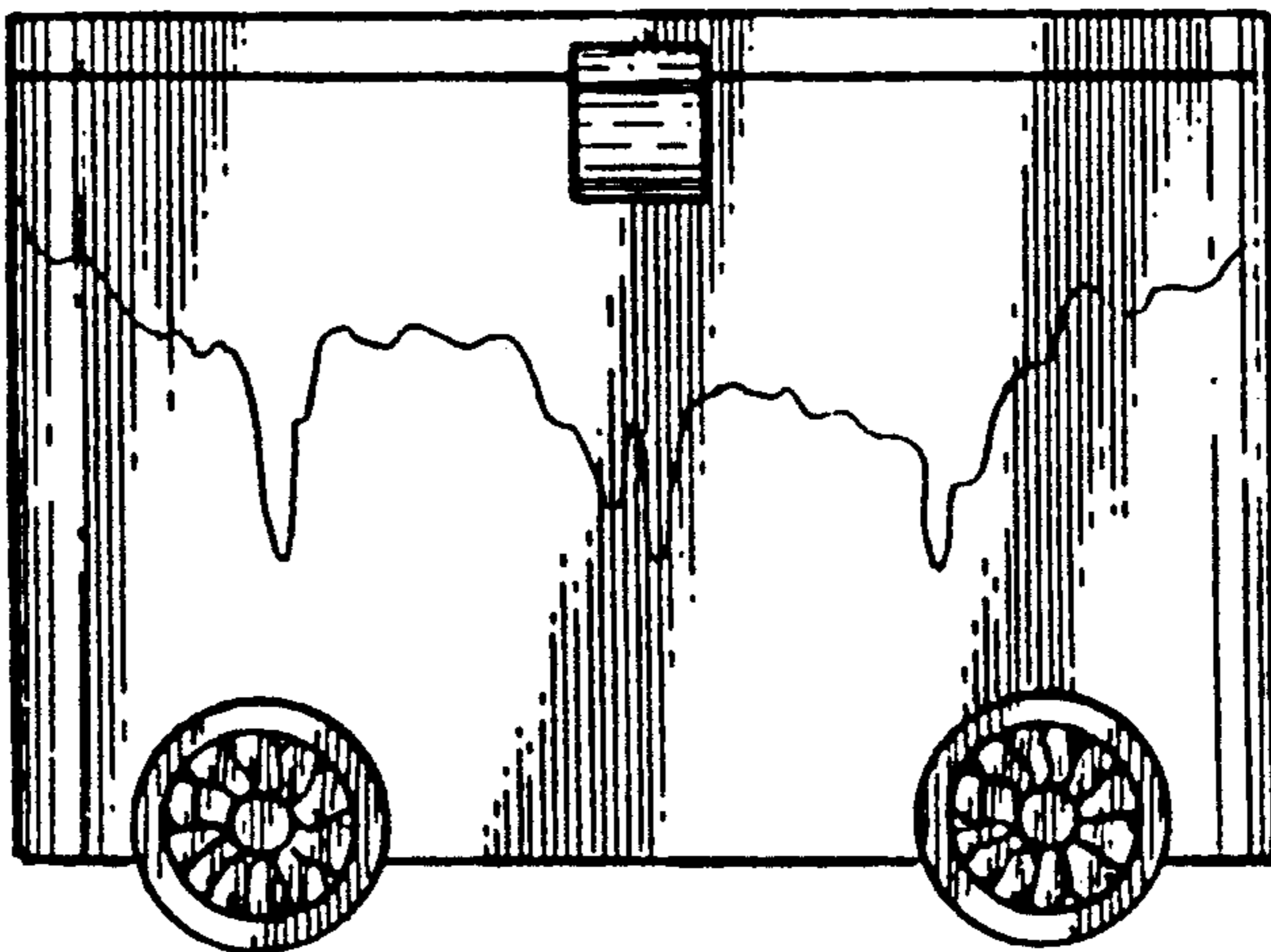
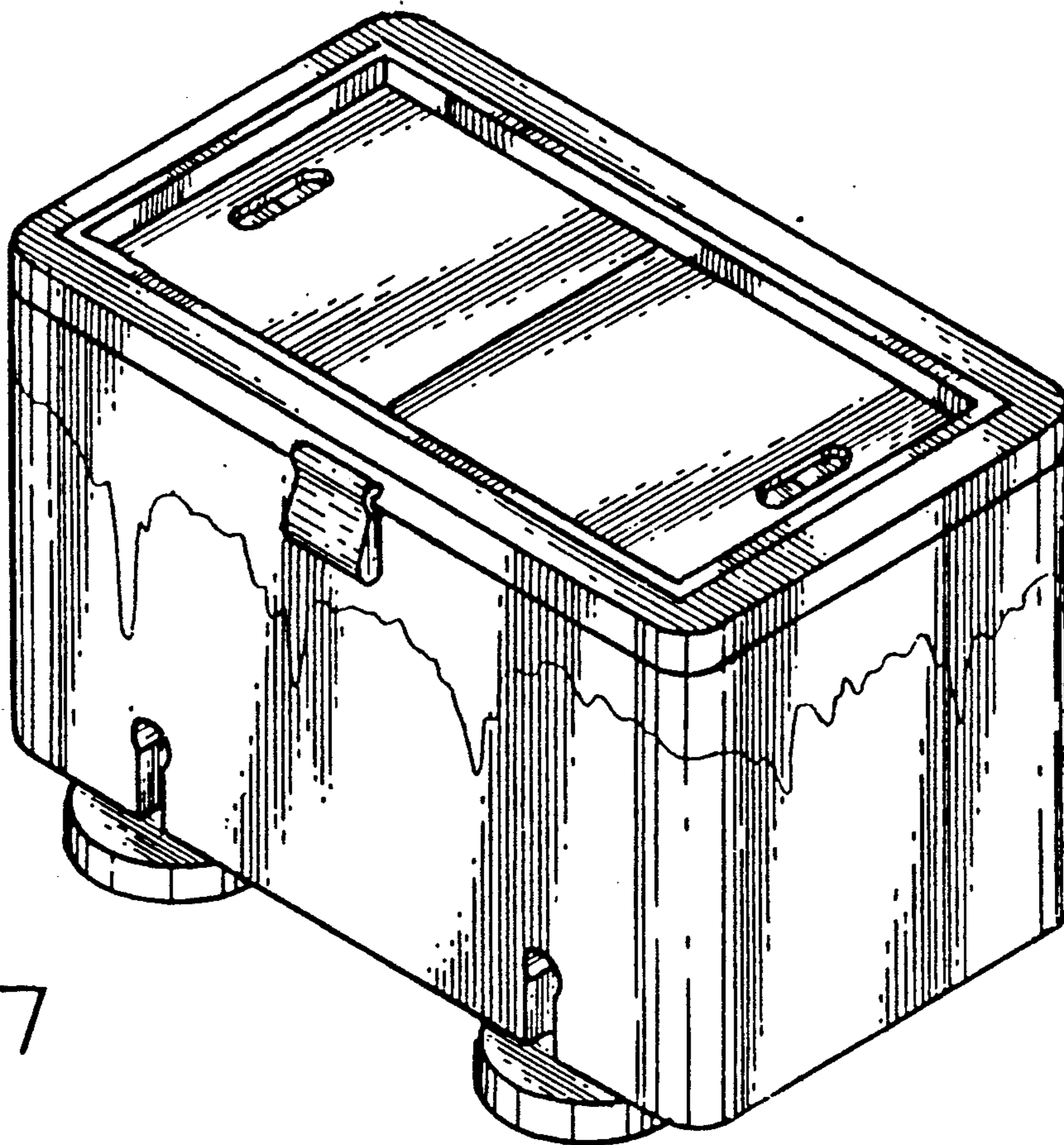


FIG. 7



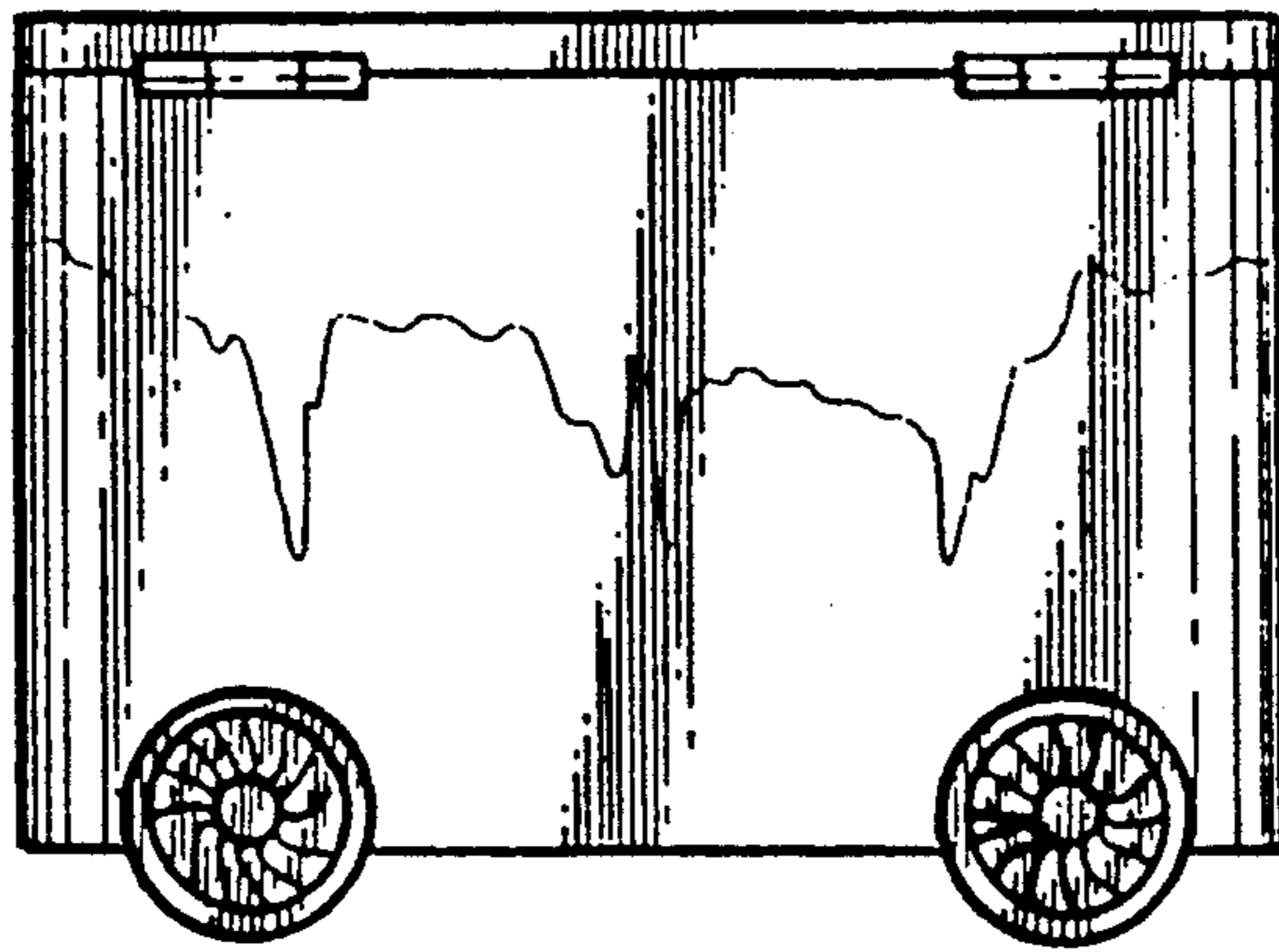


FIG. 3

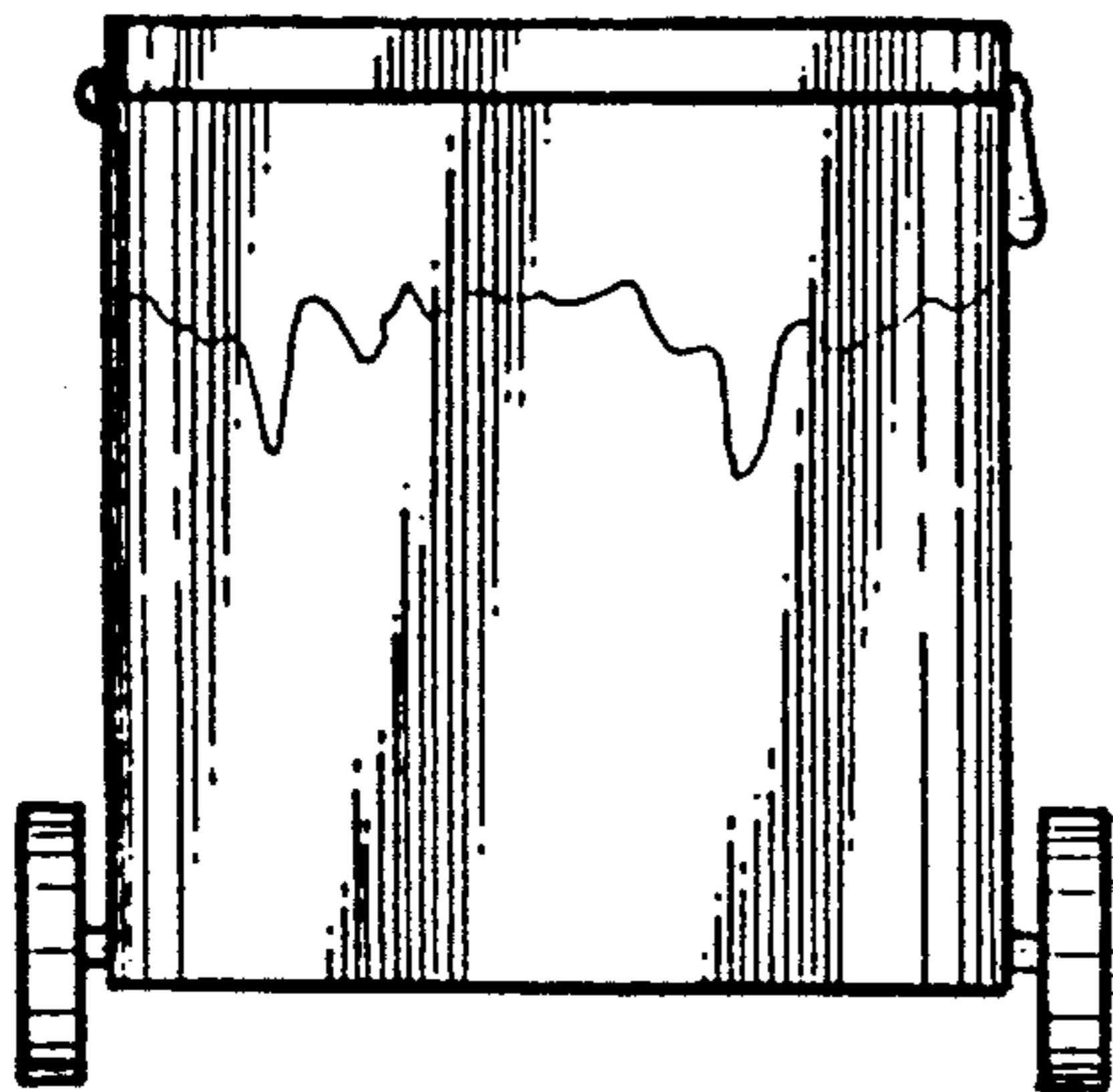


FIG. 4

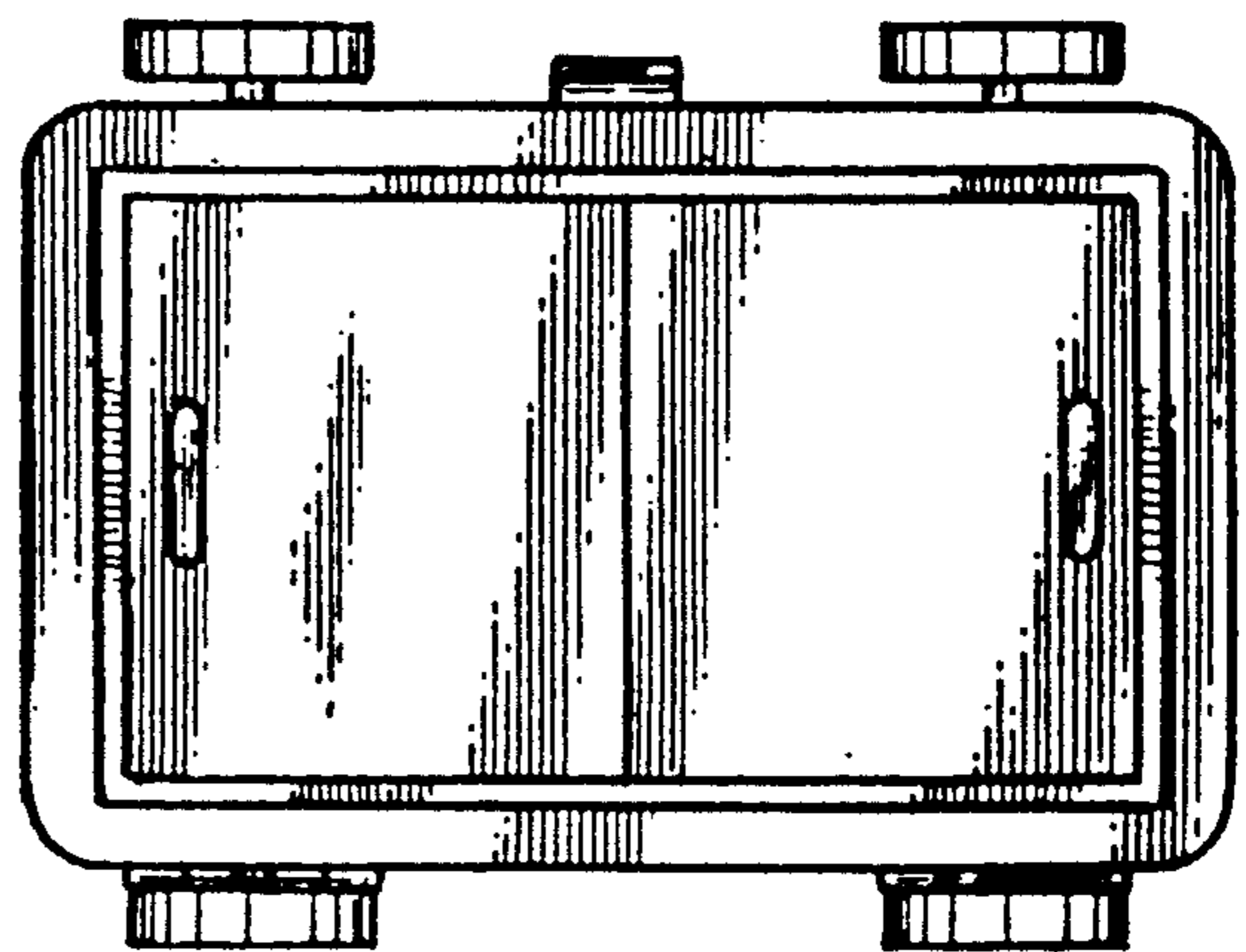


FIG. 5

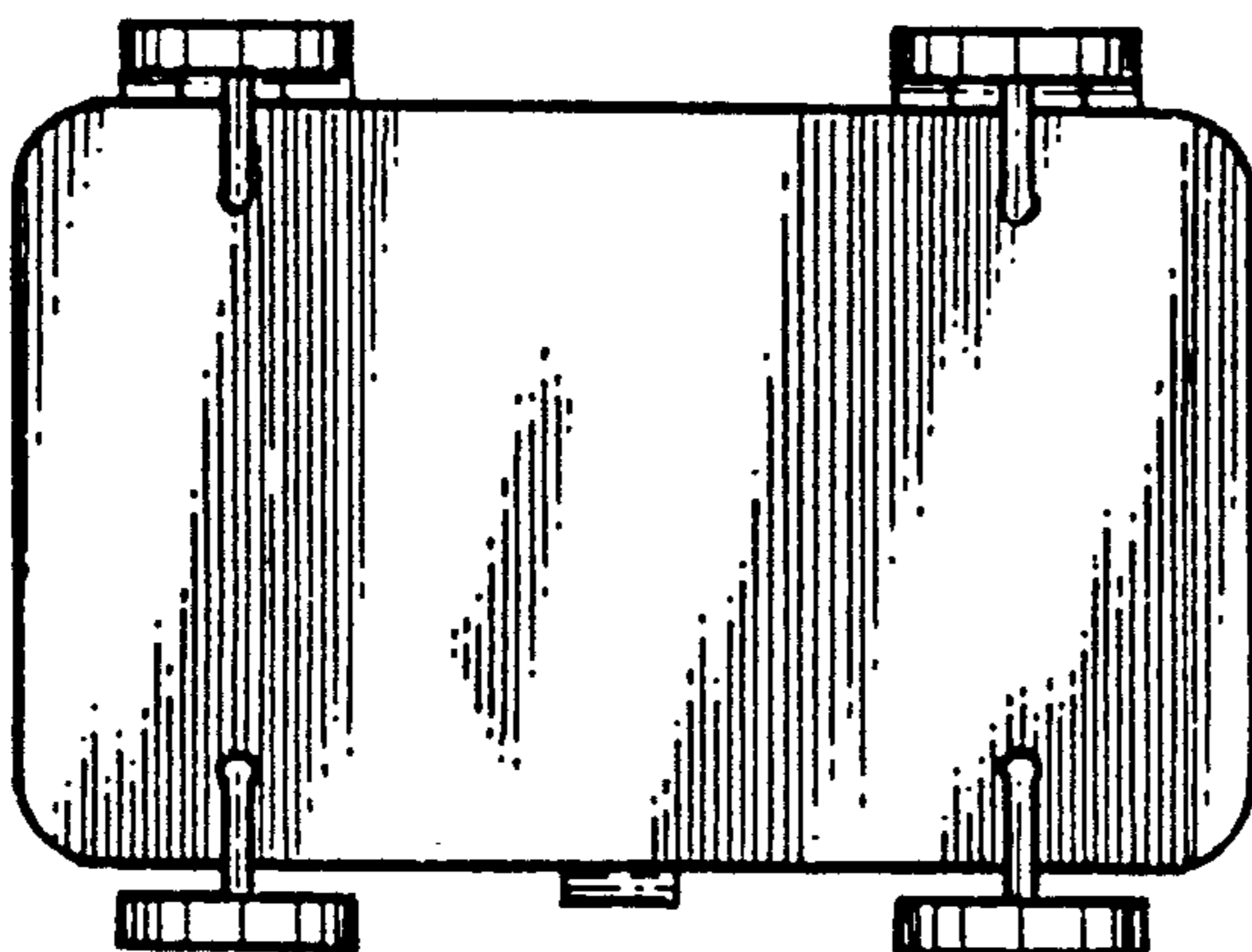


FIG. 6