



US00D340616S

# United States Patent [19]

[11] Patent Number: **Des. 340,616**

Williams et al.

[45] Date of Patent: **\*\* Oct. 26, 1993**

[54] **BEVERAGE DISPENSING HEAD**

[75] Inventors: **Graham Williams, Alcester; Charles Boughtflower, High Wycombe Bucks; Derek Roberts, Maidenhead, all of Great Britain**

[73] Assignee: **The Coca-Cola Company, Atlanta, Ga.**

[\*\*] Term: **14 Years**

[21] Appl. No.: **796,125**

[22] Filed: **Nov. 20, 1991**

[52] U.S. Cl. .... **D7/398; D7/311**

[58] Field of Search ..... **D7/308, 300, 301, 305, D7/306, 307, 309, 310, 311, 312, 313, 398; 99/295, 293, 290; D23/213**

[56] **References Cited**

**U.S. PATENT DOCUMENTS**

- D. 202,688 11/1965 Cornelius et al. .... D7/311
- D. 251,564 4/1979 Mackrell ..... D7/311

- D. 256,125 7/1980 Erickson ..... D7/398
- D. 259,725 6/1981 Wasserstrom et al. .... D7/308
- D. 265,653 8/1982 Arzberger et al. .... D7/311
- D. 268,977 5/1985 Marotta ..... D7/309
- 4,218,965 8/1980 Petry ..... D7/311 X

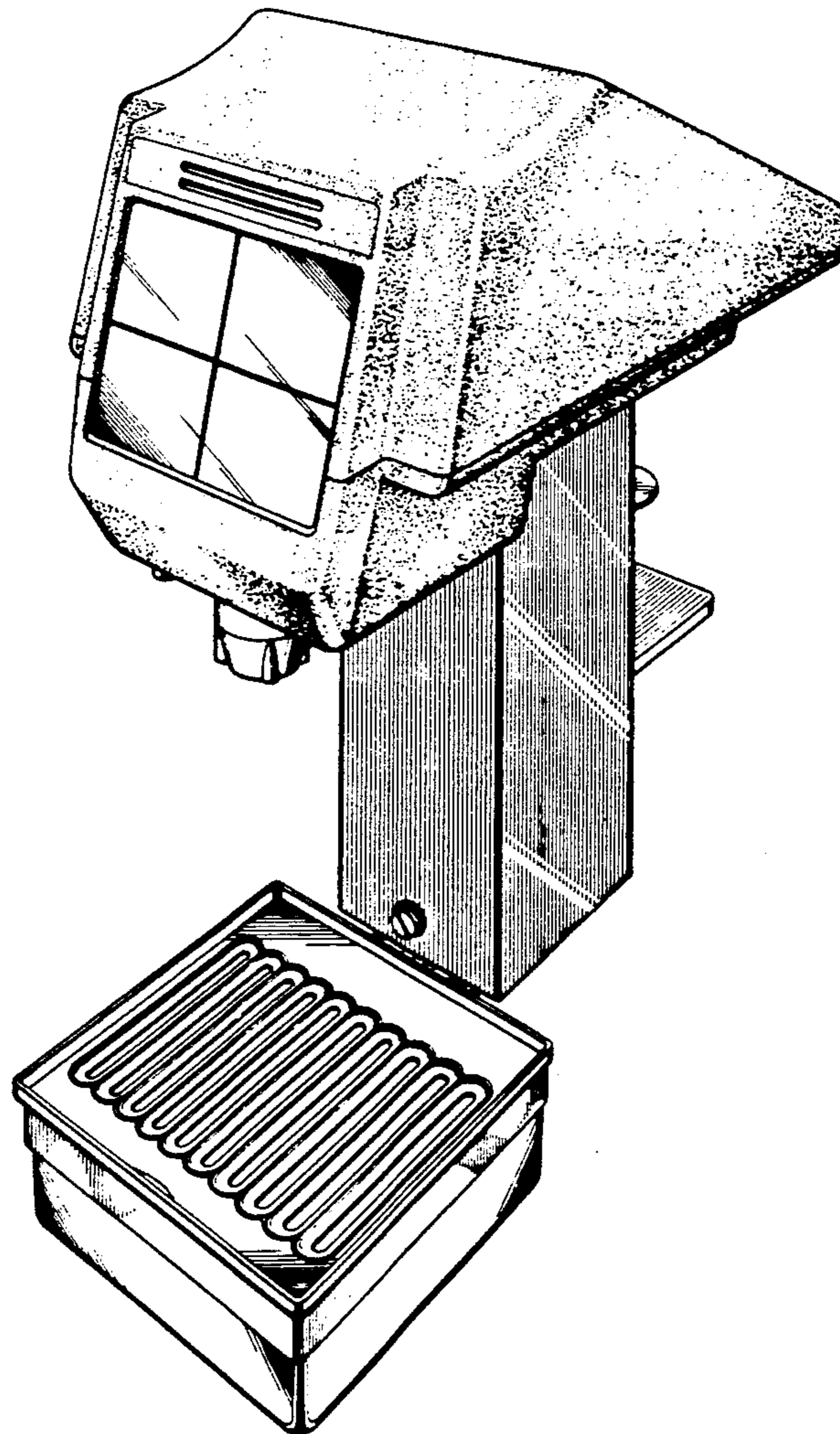
*Primary Examiner*—Alan P. Douglas  
*Assistant Examiner*—M. N. Pandozzi  
*Attorney, Agent, or Firm*—Thomas R. Boston; W. Dexter Brooks

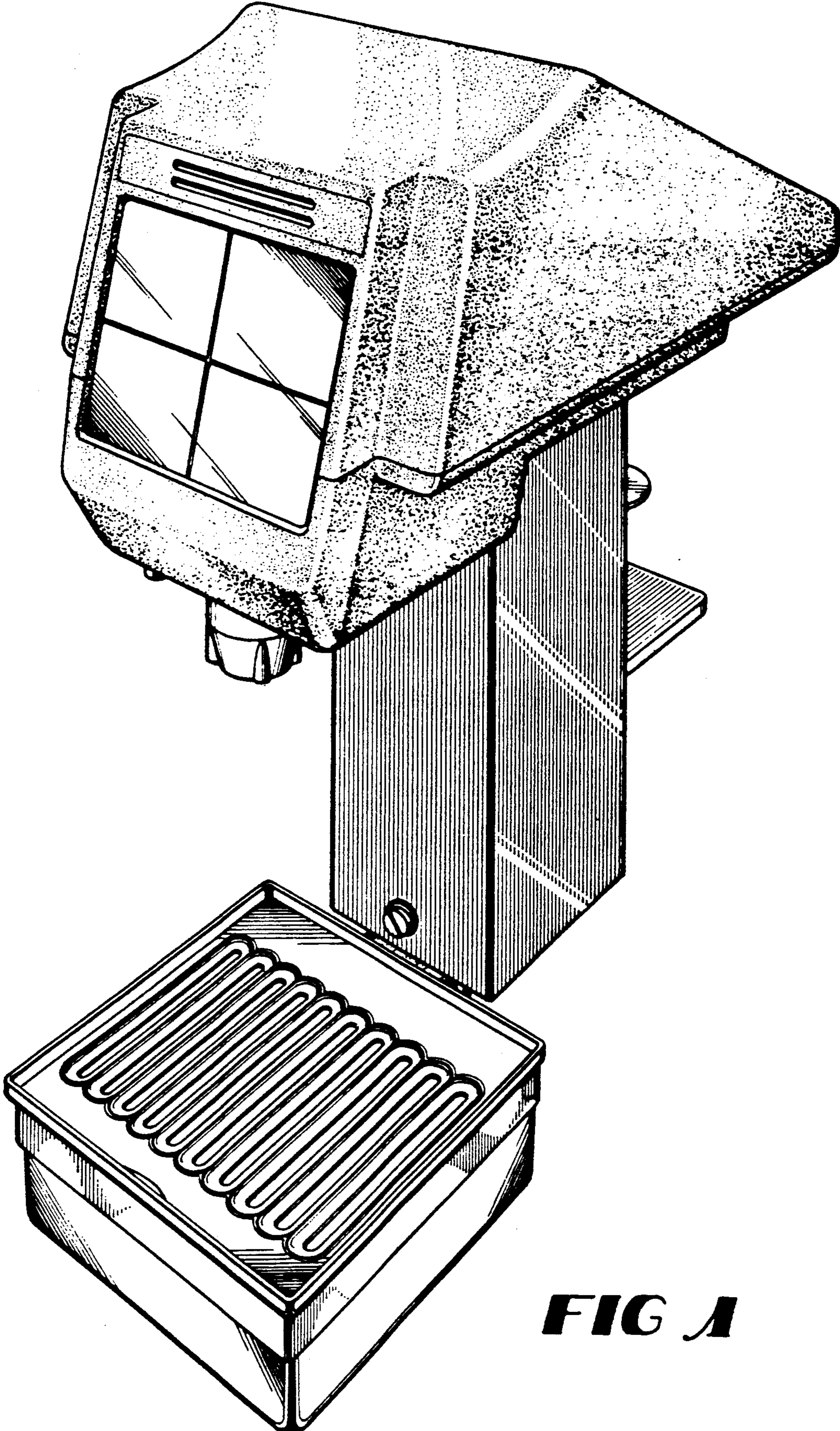
[57] **CLAIM**

The ornamental design for a beverage dispensing head, as shown.

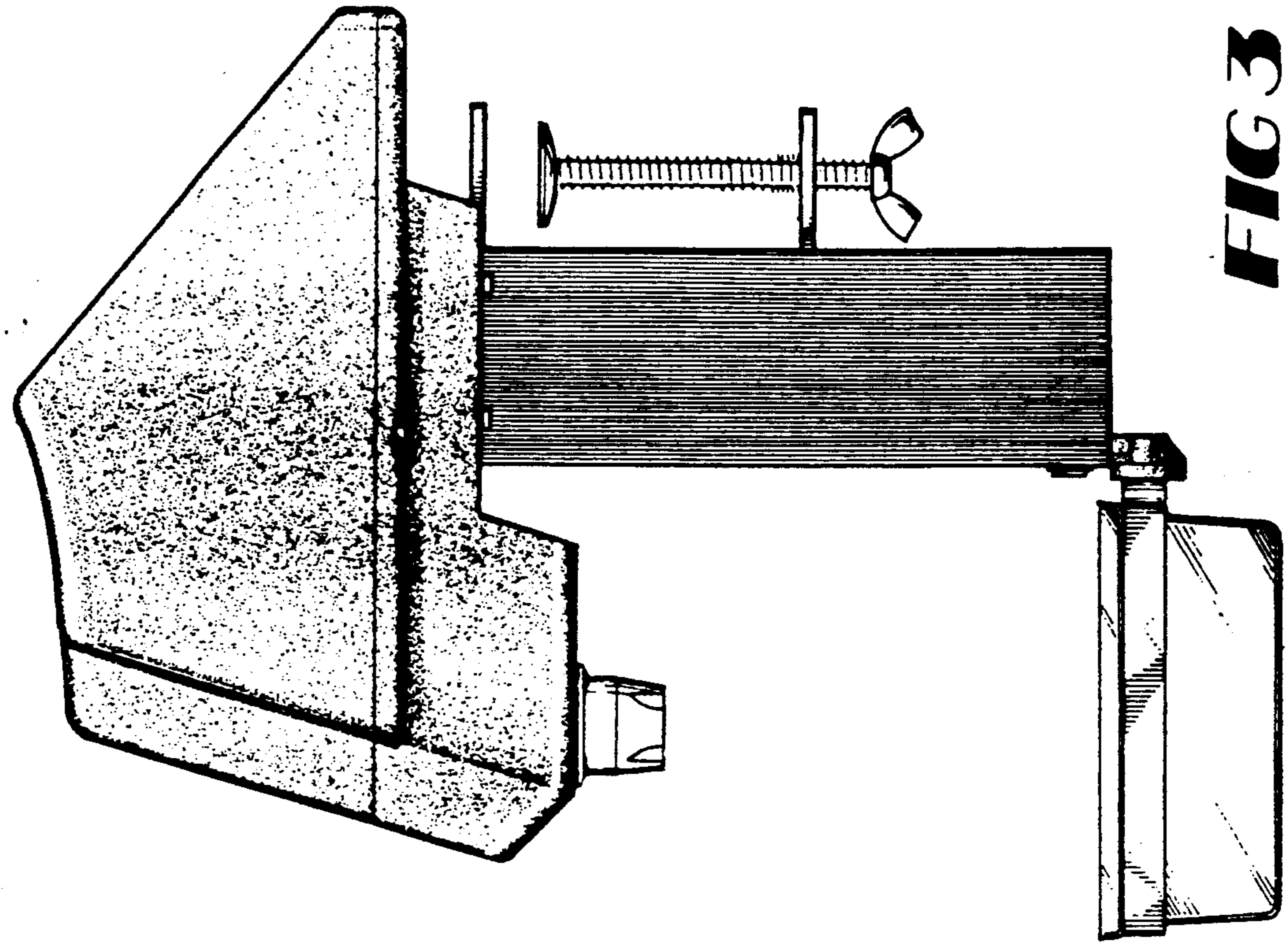
**DESCRIPTION**

FIG. 1 is a top, front right side perspective view of a beverage dispenser head showing our new design; FIG. 2 is a front elevational view thereof; FIG. 3 is a right side elevational view thereof; FIG. 4 is a left side elevational view thereof; FIG. 5 is a right side elevational view thereof; FIG. 6 is a top plan view thereof; and, FIG. 7 is an bottom plan view thereof.

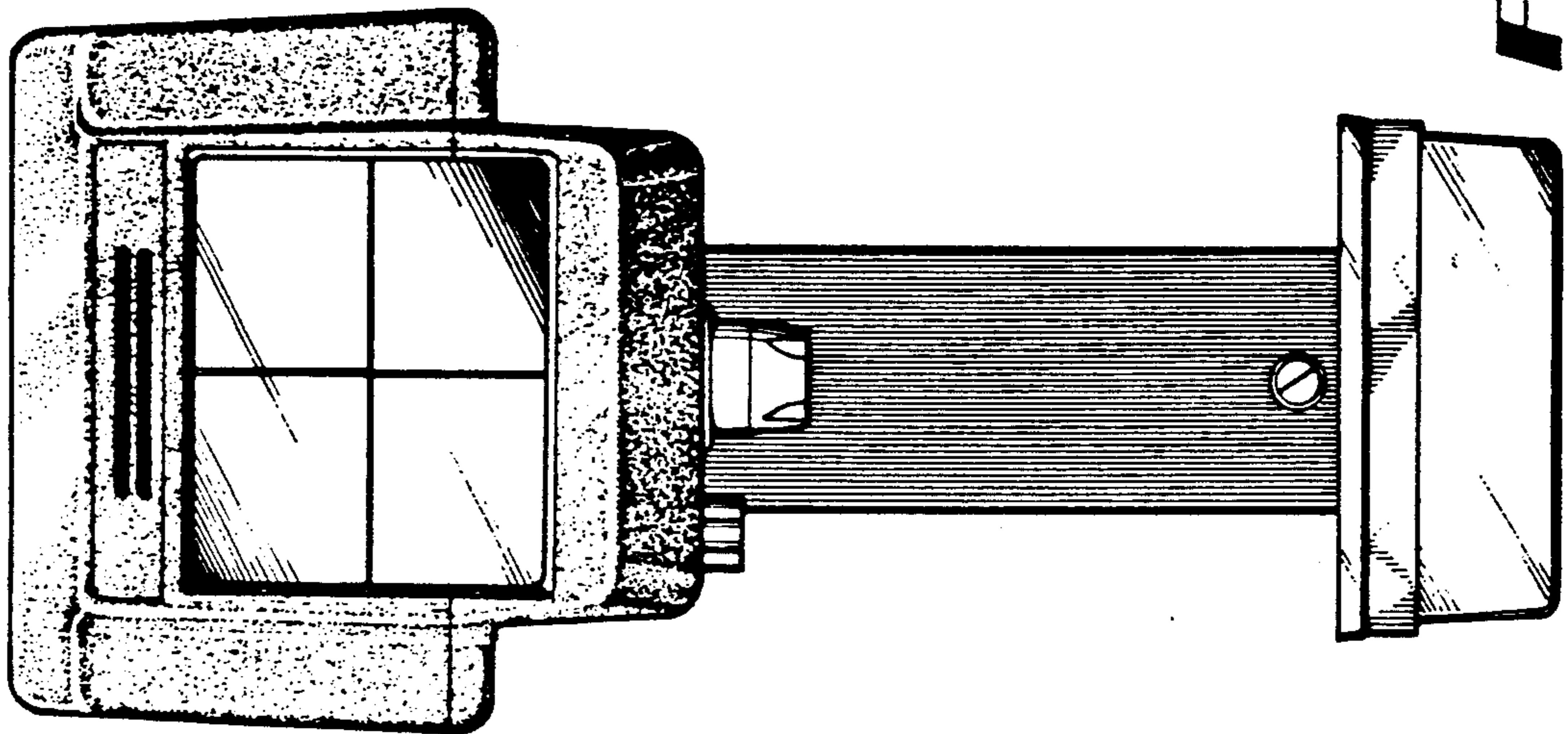




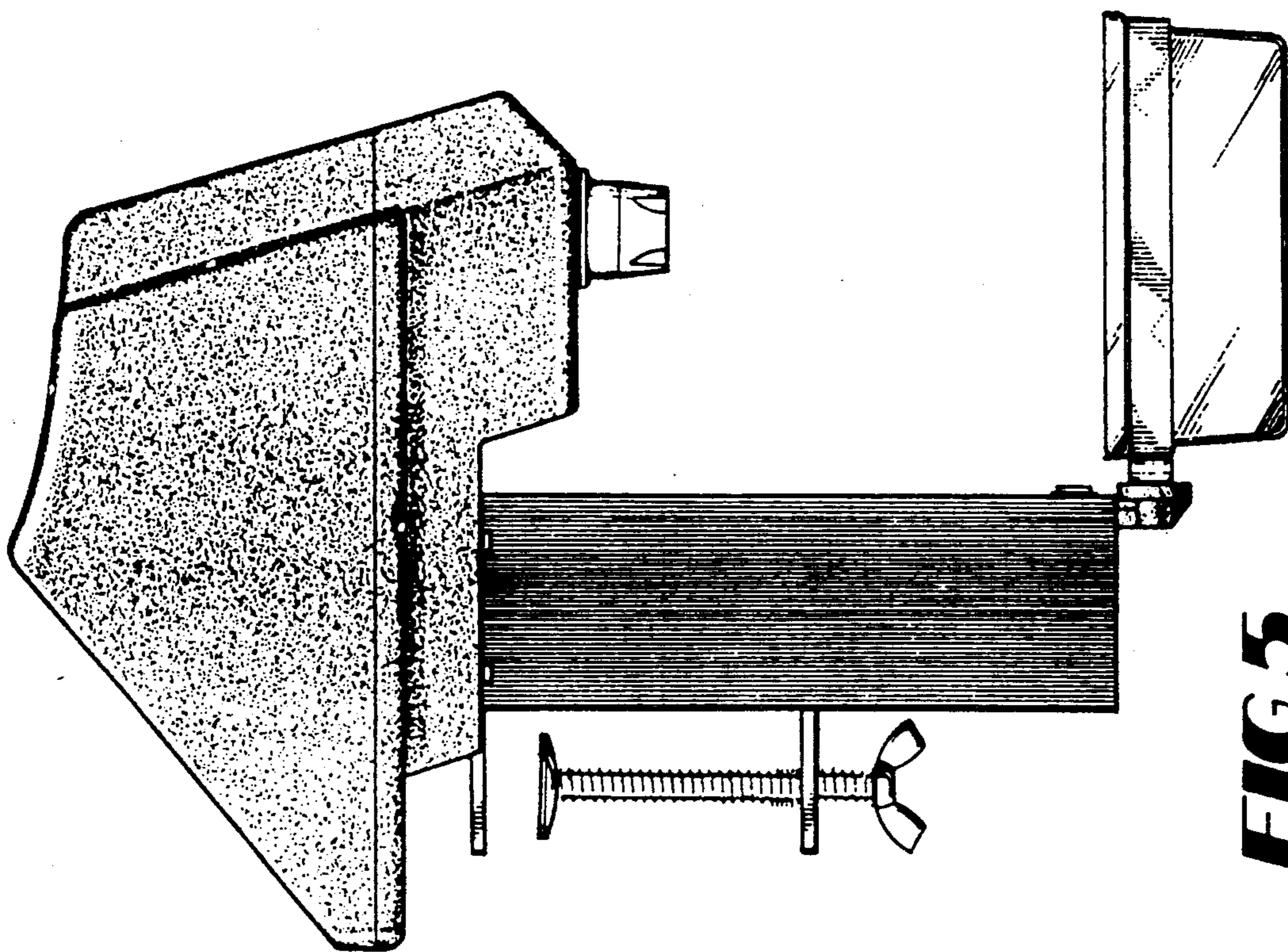
**FIG 1**



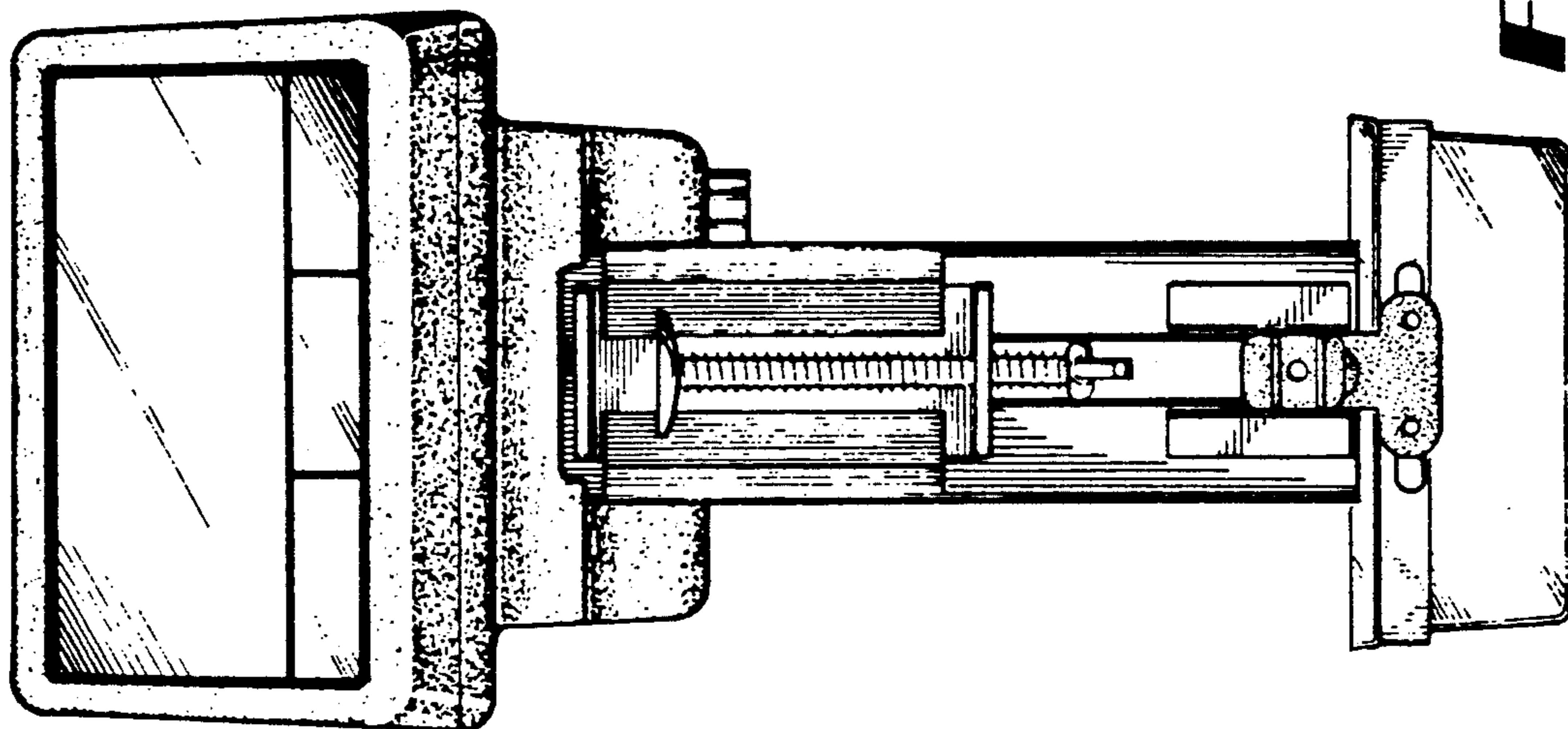
**FIG 3**



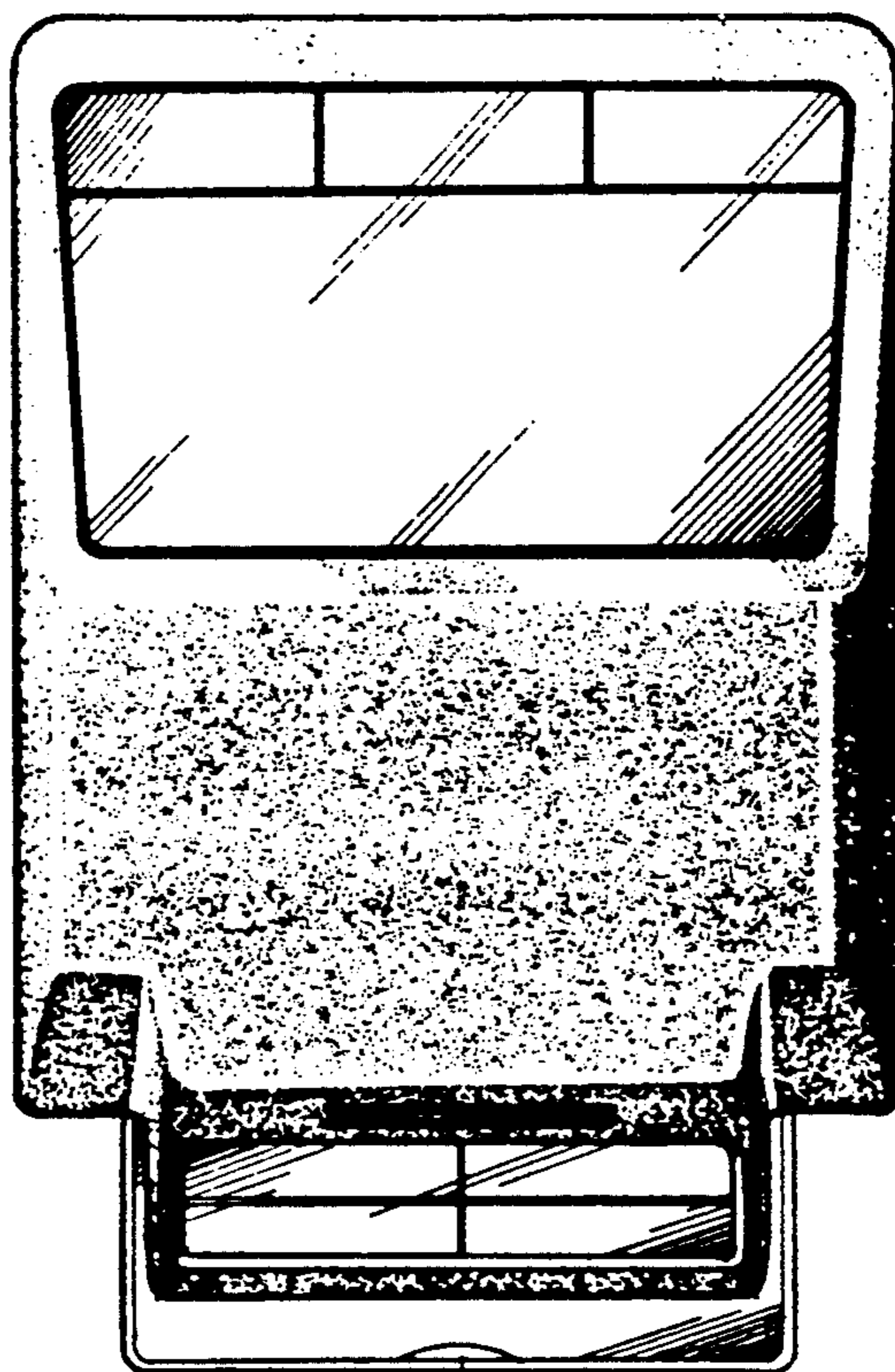
**FIG 2**



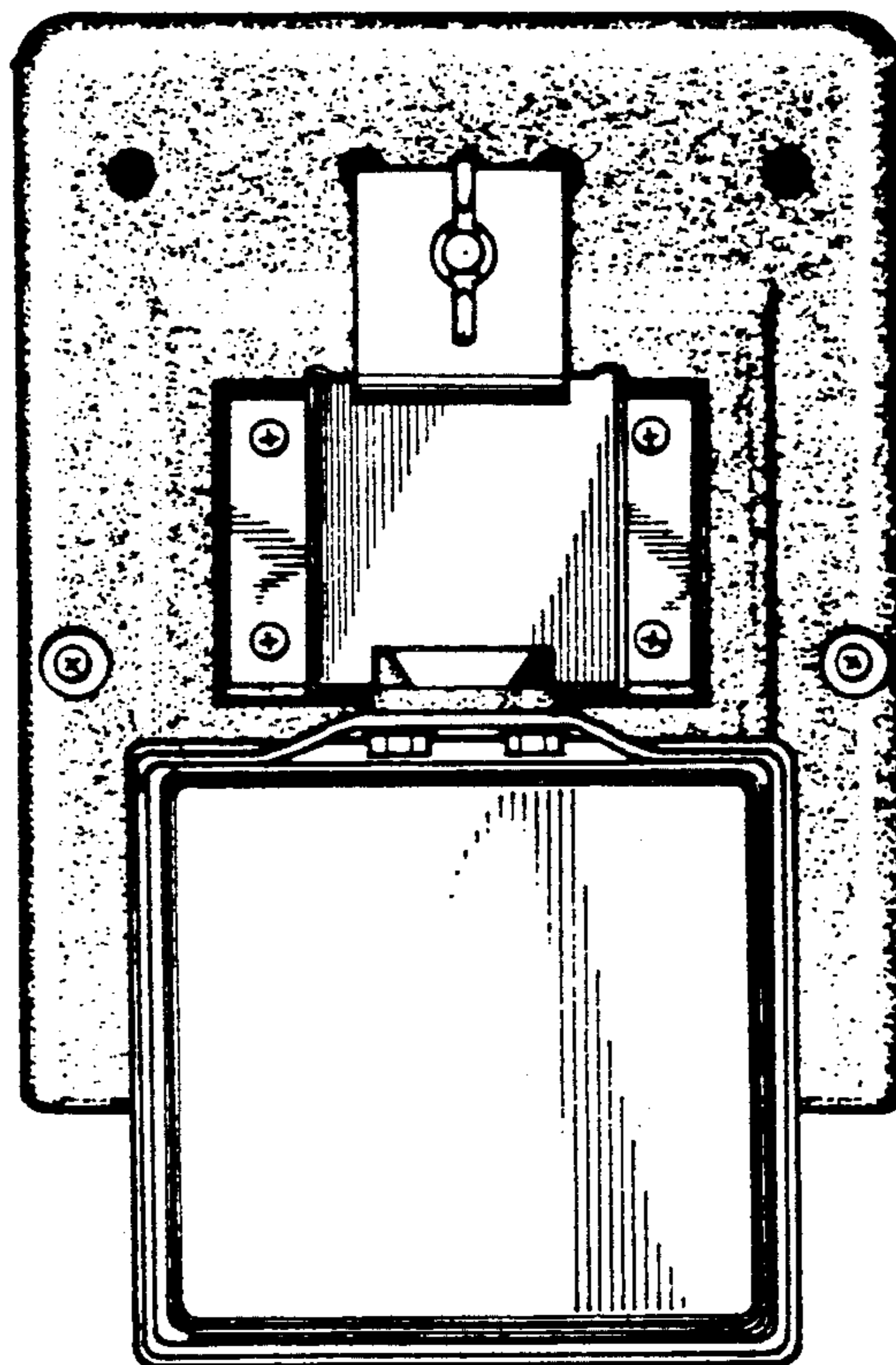
**FIG 5**



**FIG 4**



**FIG 6**



**FIG 7**