



US00D340615S

United States Patent [19]

[11] Patent Number: **Des. 340,615**

Guerrier et al.

[45] Date of Patent: **** Oct. 26, 1993**

[54] GRILL

[75] Inventors: **Didier Guerrier, Rumilly; Denis Gruaz, Annecy, both of France**

[73] Assignee: **Tefal S.A., Rumilly, France**

[**] Term: **14 Years**

[21] Appl. No.: **871,639**

[22] Filed: **Apr. 21, 1992**

[30] **Foreign Application Priority Data**

Nov. 20, 1991 [FR] France 91 7279

[52] U.S. Cl. **D7/365**

[58] Field of Search D7/331, 332, 337, 362, D7/363, 365, 367; 99/445, 446, 422, 425, 450

[56] **References Cited**

U.S. PATENT DOCUMENTS

- D. 181,526 11/1957 Fitzgerald D7/365
- D. 244,444 5/1977 Bessier et al. D7/365
- D. 272,509 2/1984 Hurose et al. D7/365

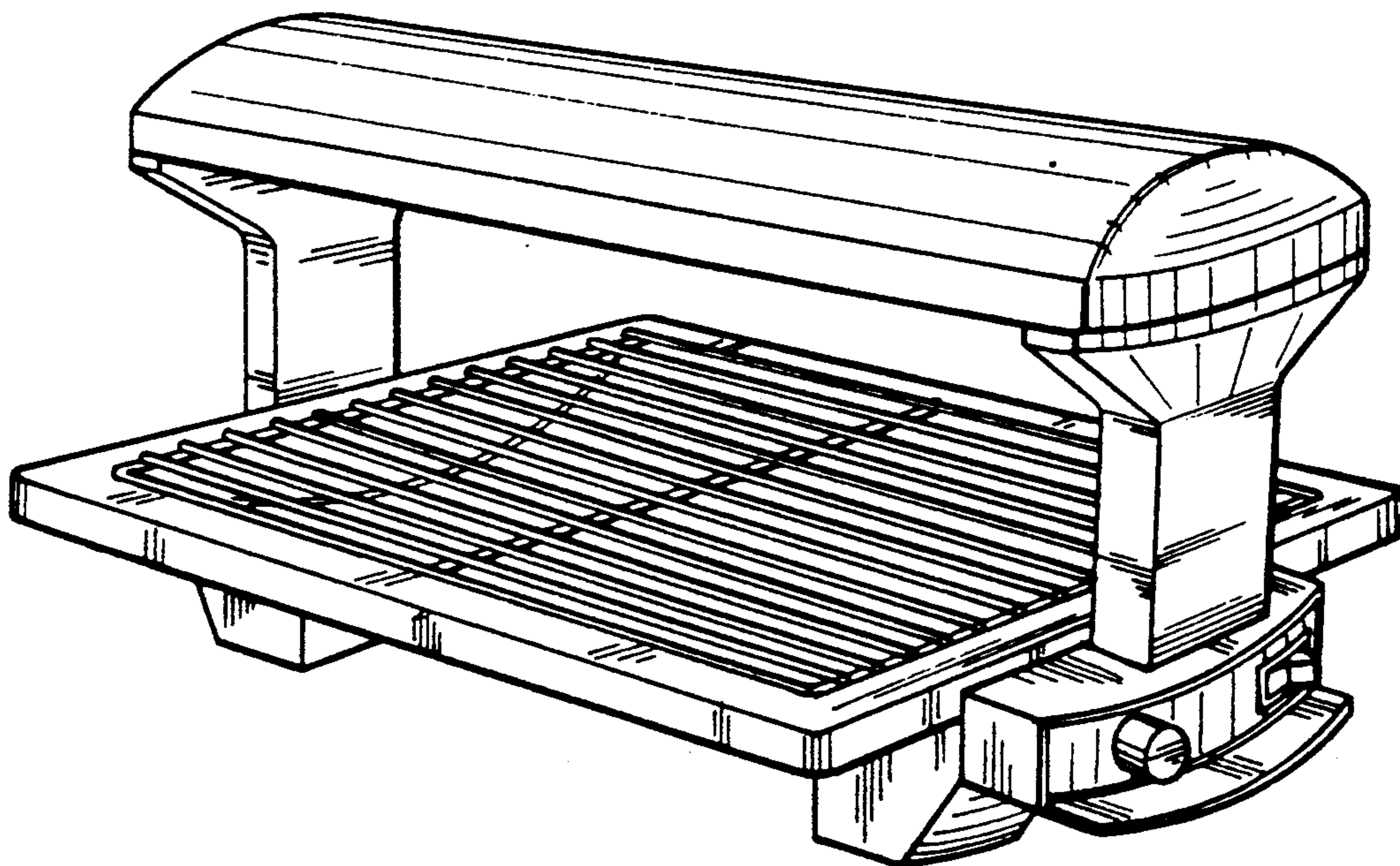
Primary Examiner—Ruth McInroy
Attorney, Agent, or Firm—Young & Thompson

[57] **CLAIM**

The ornamental design for a grill, as shown and described.

DESCRIPTION

FIG. 1 is a front elevational view of a grill showing our new design;
 FIG. 2 is a rear elevational view thereof;
 FIG. 3 is a right side elevational view thereof;
 FIG. 4 is a left side elevational view thereof;
 FIG. 5 is a top plan view thereof;
 FIG. 6 is a bottom plan view thereof; and,
 FIG. 7 is a three-quarter perspective view thereof.



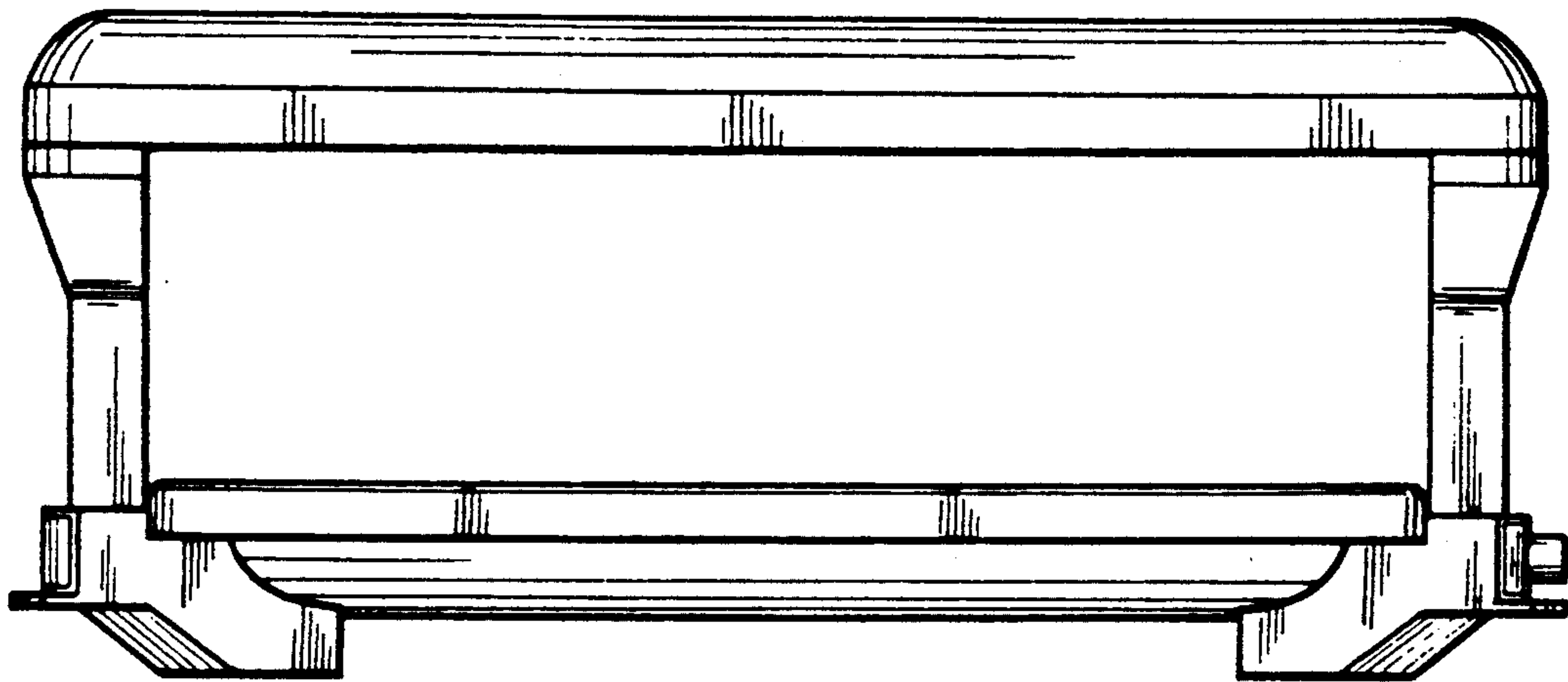


FIG. 1

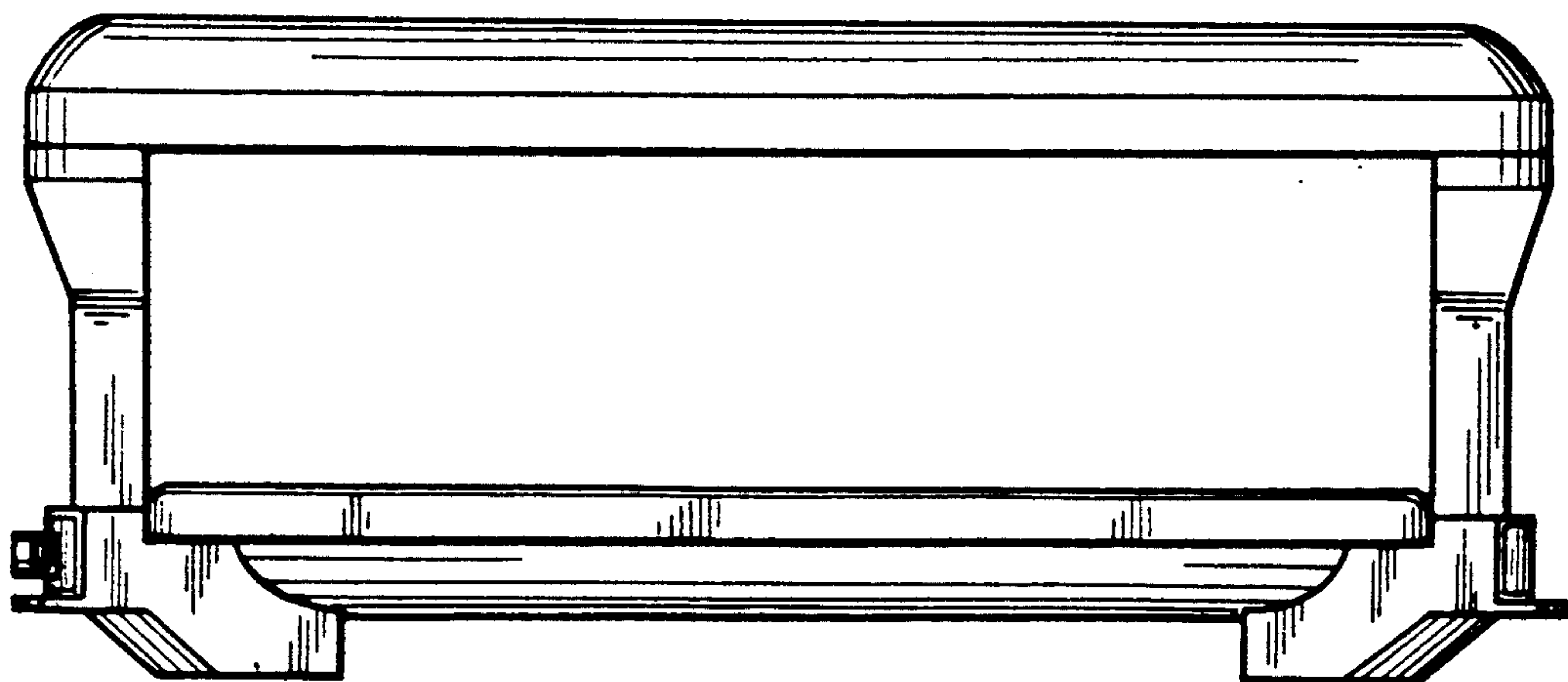


FIG. 2

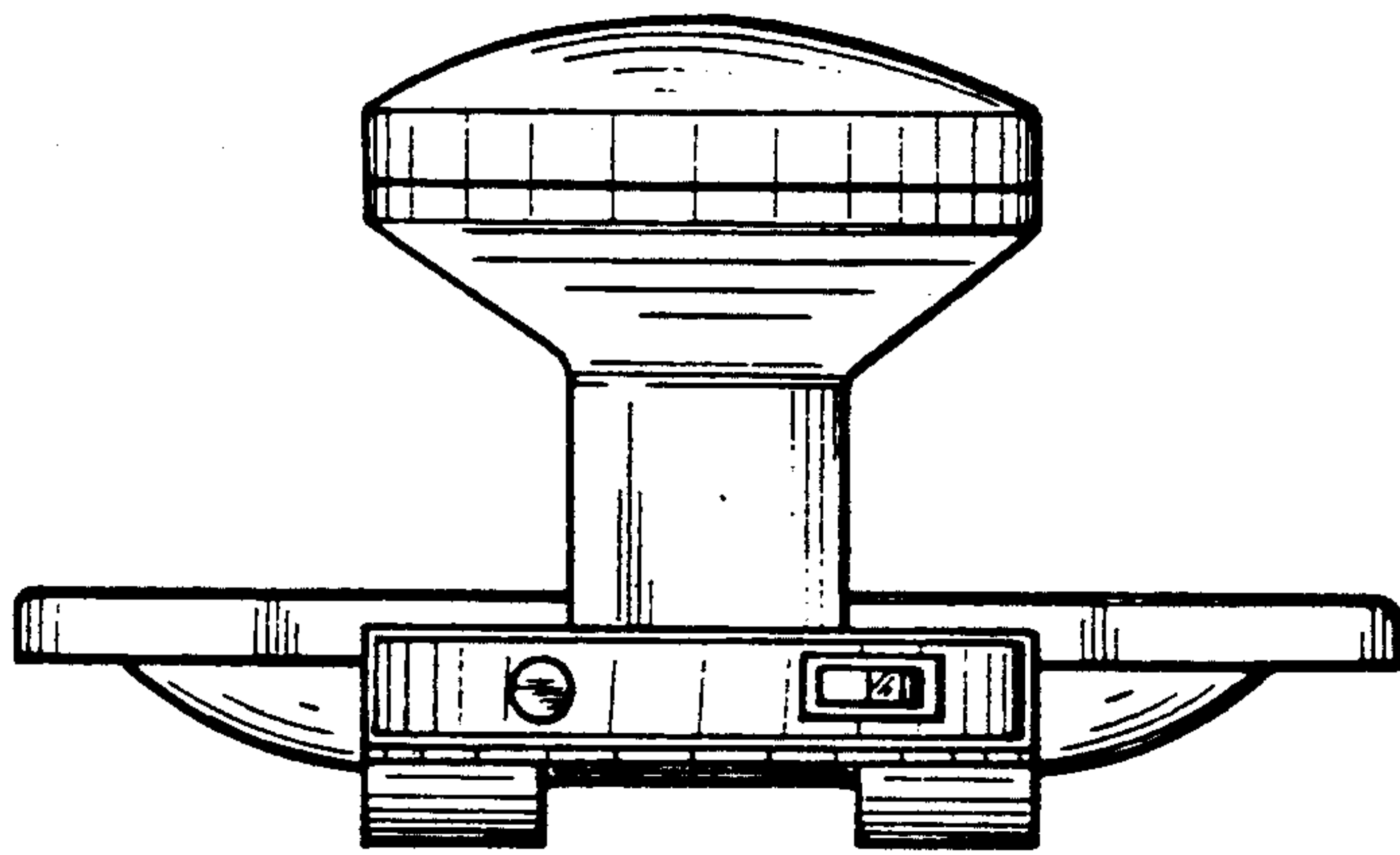


FIG. 3

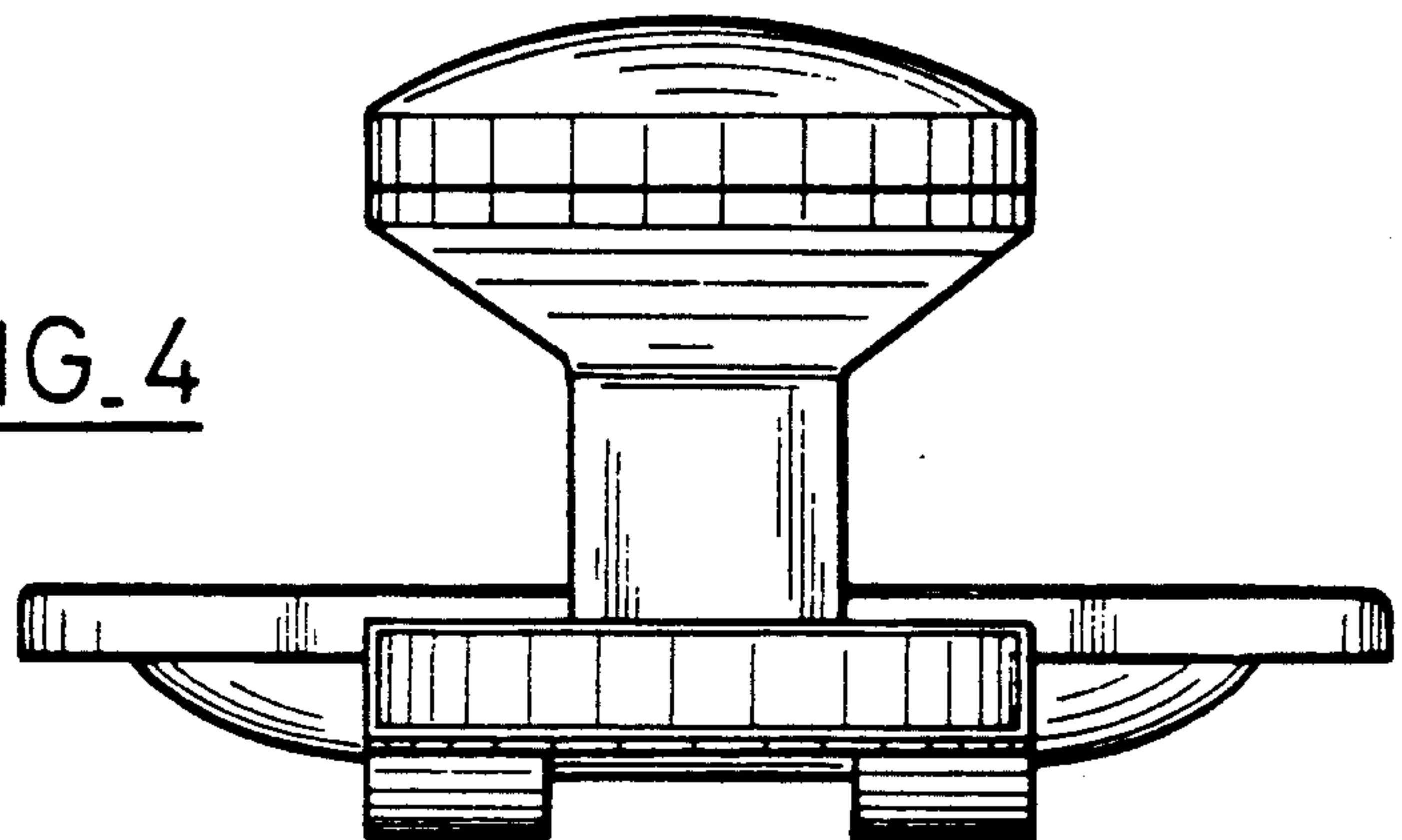


FIG. 4

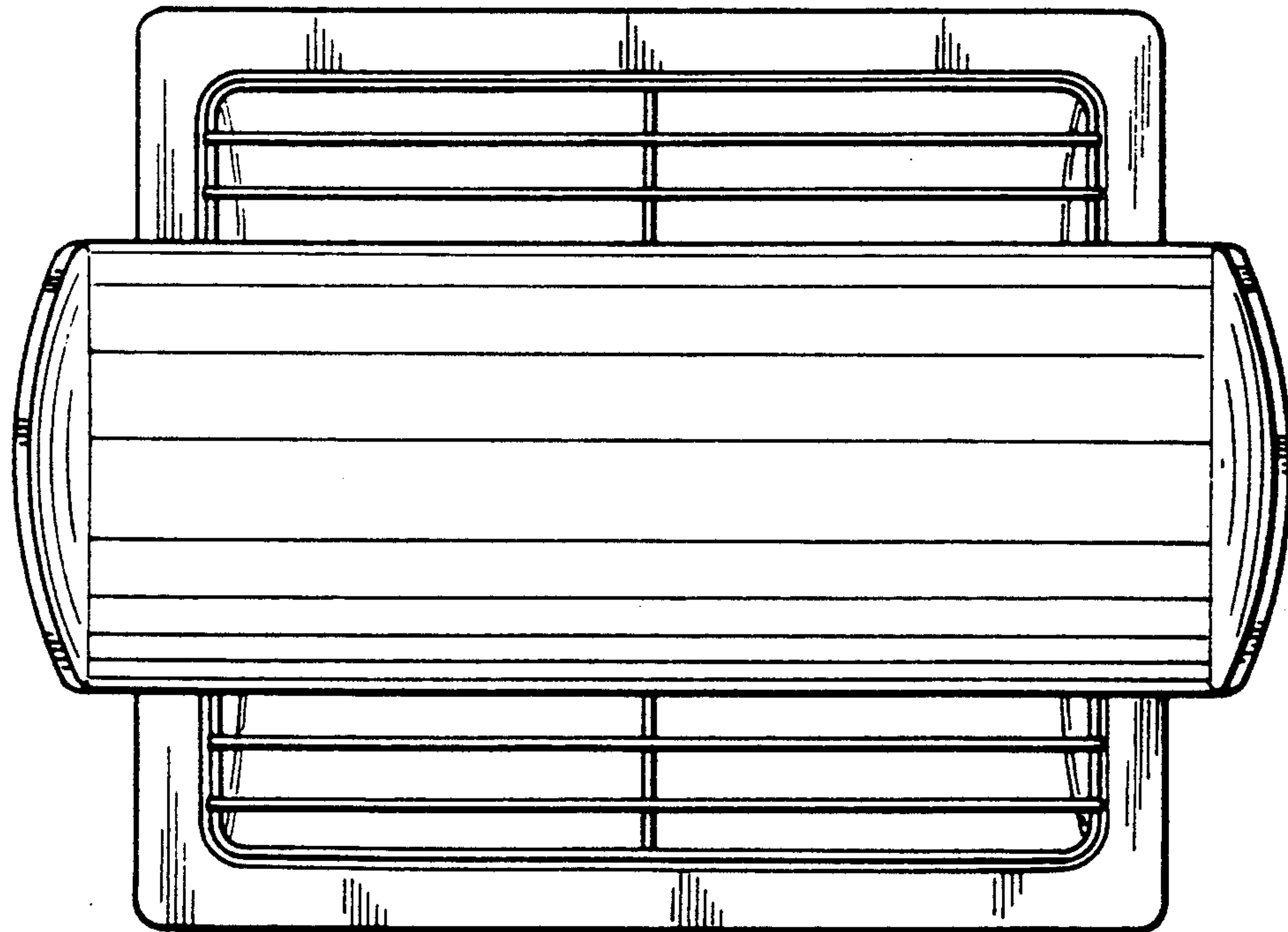


FIG. 5

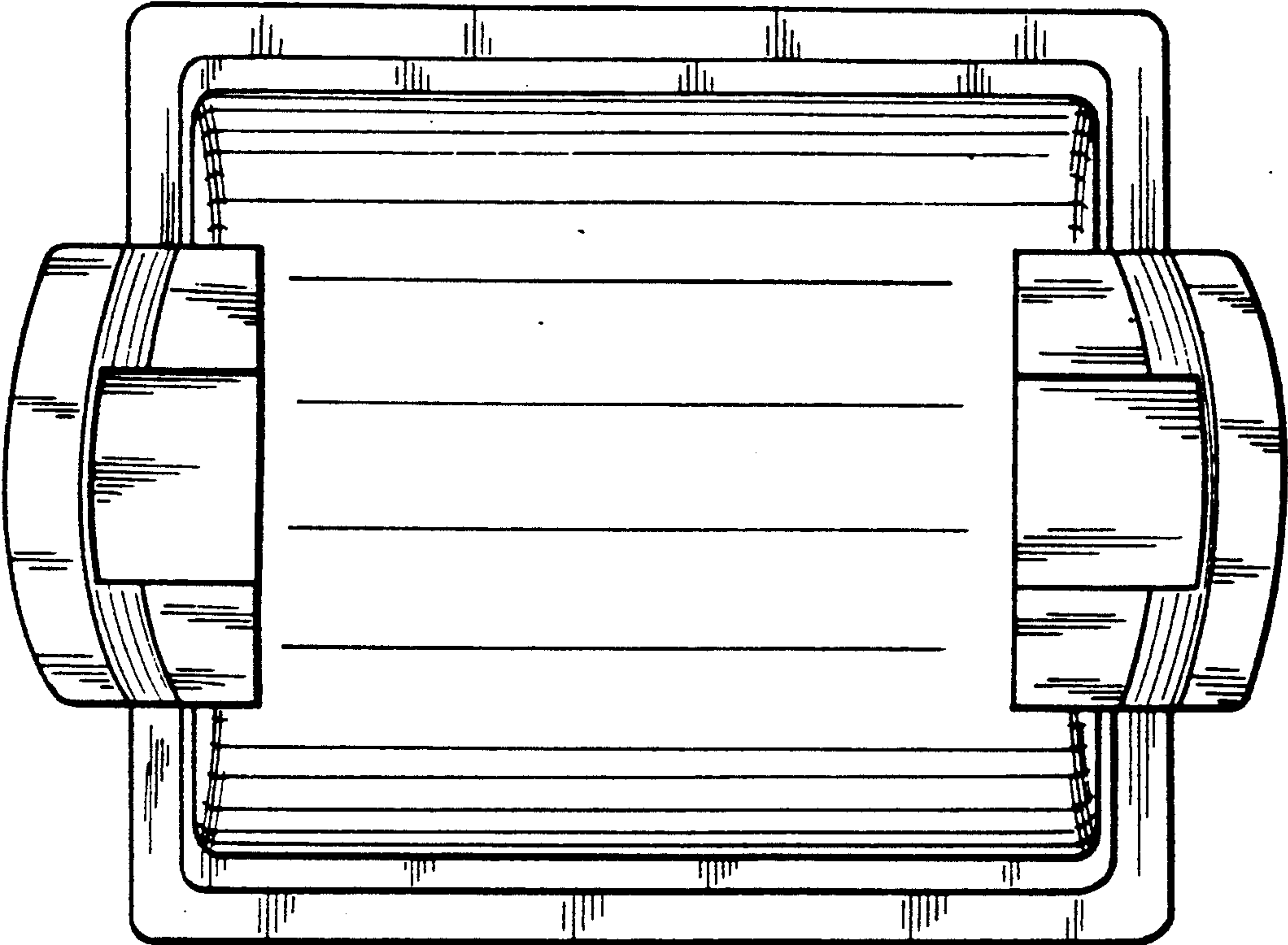


FIG. 6

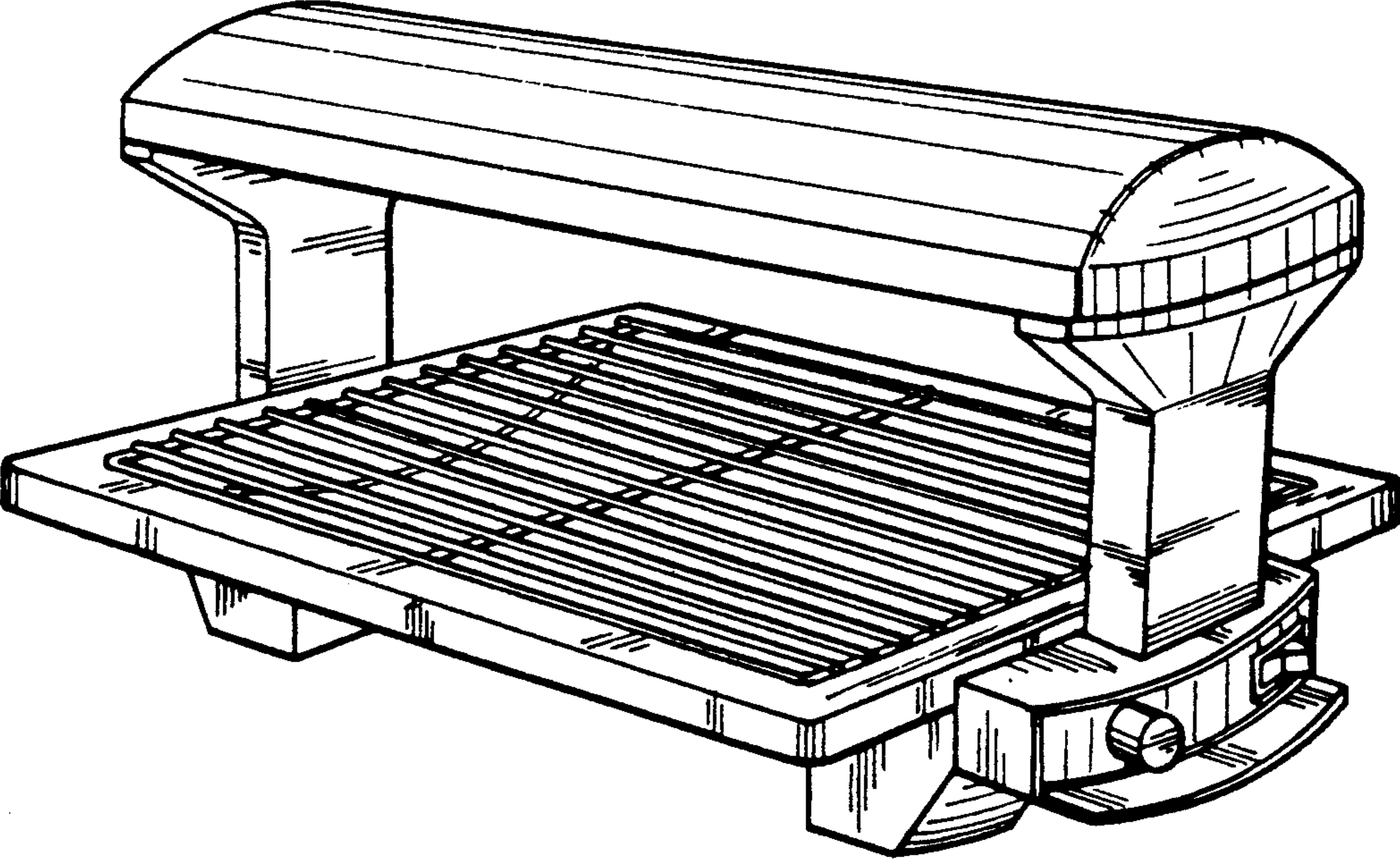


FIG. 7