



US00D340612S

United States Patent [19]

[11] Patent Number: **Des. 340,612**

Birmingham

[45] Date of Patent: **** Oct. 26, 1993**

[54] **COMBINED BARBEQUE SMOKER AND COOKER**

| | | | | |
|------------|---------|----------------|-------|--------|
| D. 260,069 | 8/1981 | Birmingham | | D7/109 |
| D. 282,519 | 2/1986 | Sustana | | D7/334 |
| D. 285,279 | 8/1986 | Arevalo et al. | | D7/334 |
| D. 292,547 | 11/1987 | Bayer | | D7/332 |
| D. 320,094 | 7/1989 | Reeves | | D7/334 |

[76] Inventor: **Thomas Birmingham, Rt. 3, Box 101, Buna, Tex. 77612**

Primary Examiner—Ruth McInroy
Attorney, Agent, or Firm—Pravel, Hewitt, Kimball & Krieger

[**] Term: **14 Years**

[21] Appl. No.: **868,589**

[57] CLAIM

[22] Filed: **Apr. 14, 1992**

The ornamental design for a combined barbeque smoker and cooker, as shown.

[52] U.S. Cl. **D7/334**

[58] Field of Search **D21/129; D7/332, 334, D7/336, 337, 338; 126/25 R, 25 A, 25 AA, 29-30, 9 R, 9 B, 37 R, 39 B**

DESCRIPTION

[56] References Cited

U.S. PATENT DOCUMENTS

| | | | | |
|------------|--------|-----------|-------|---------|
| D. 204,579 | 4/1966 | Weatherly | | D7/334 |
| D. 217,374 | 4/1970 | Hubiak | | D21/129 |

FIG. 1 is a right side elevational view of a combined barbeque smoker and cooker showing my new design; FIG. 2 is a top plan view thereof; FIG. 3 is a left side elevational view thereof; FIG. 4 is a front elevational view thereof; and, FIG. 5 is a rear elevational view thereof.

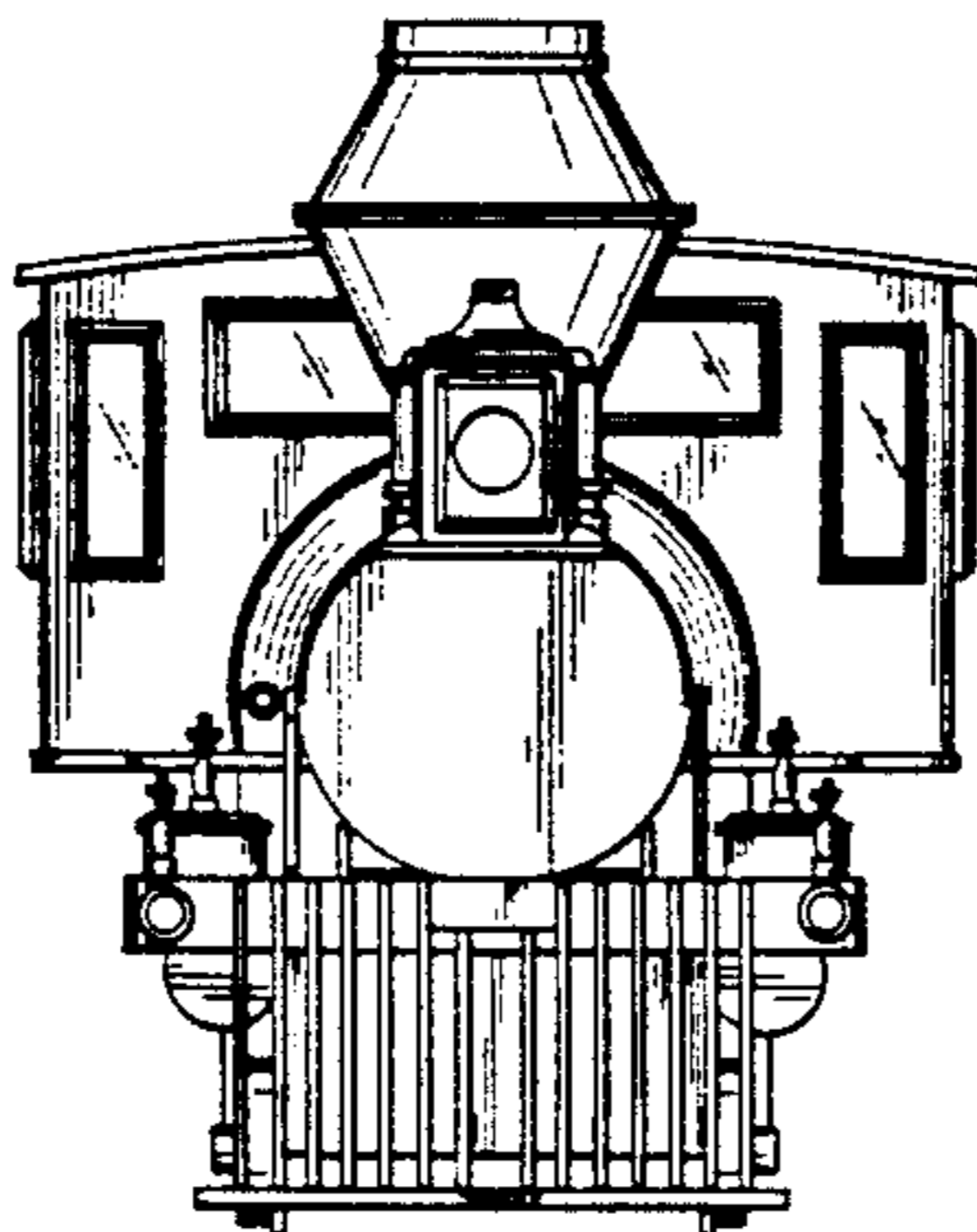
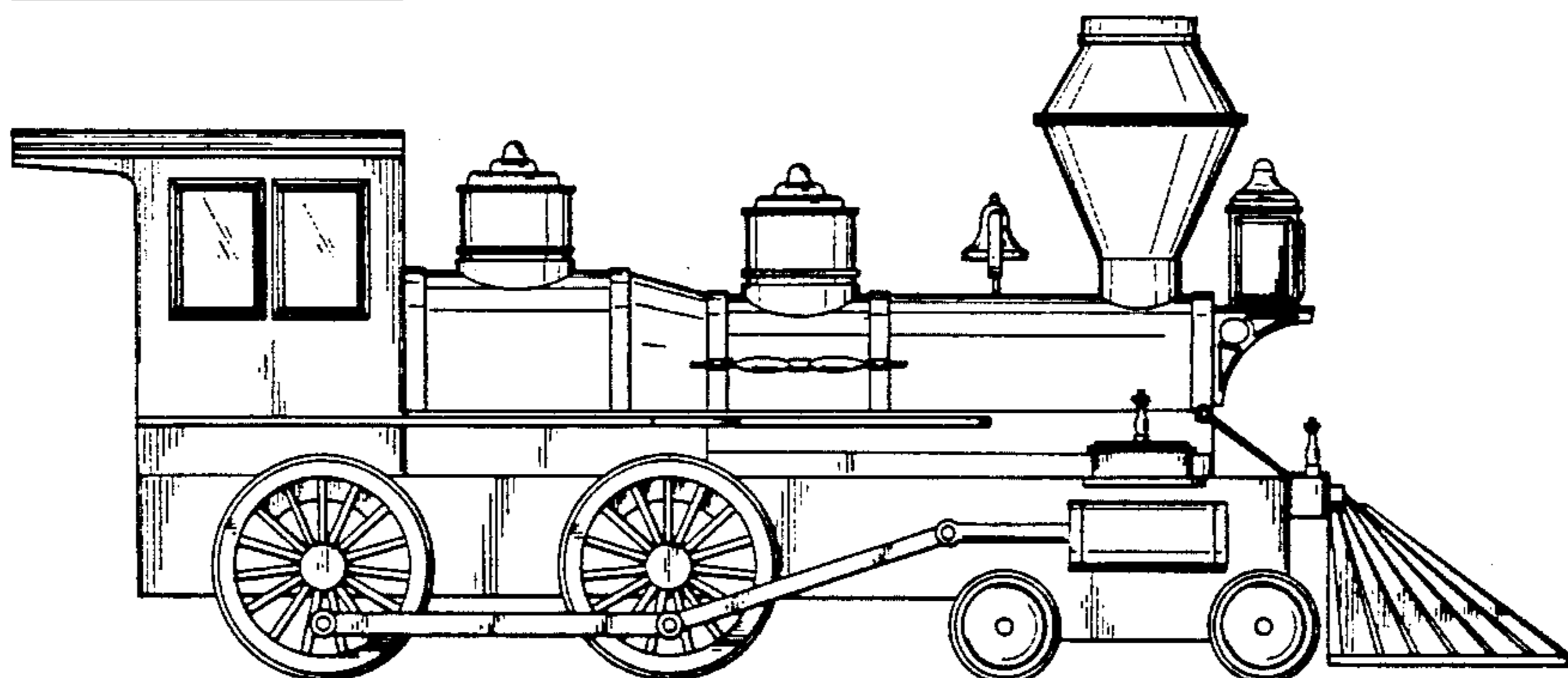
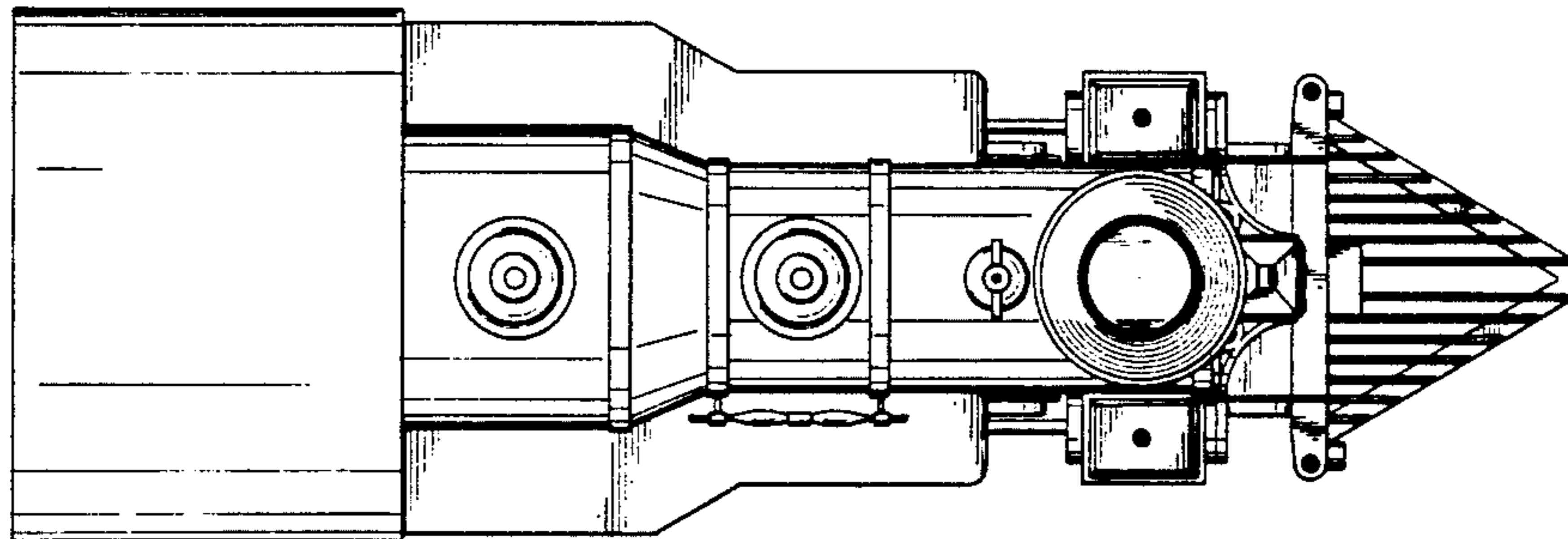


FIG. 2

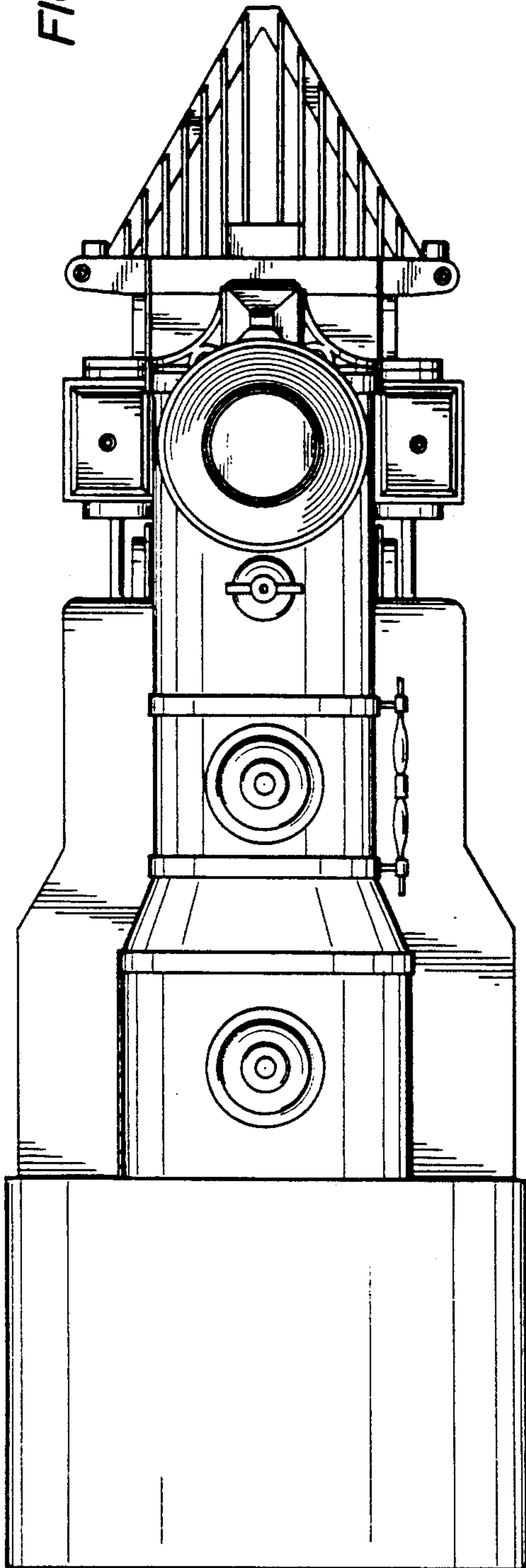


FIG. 1

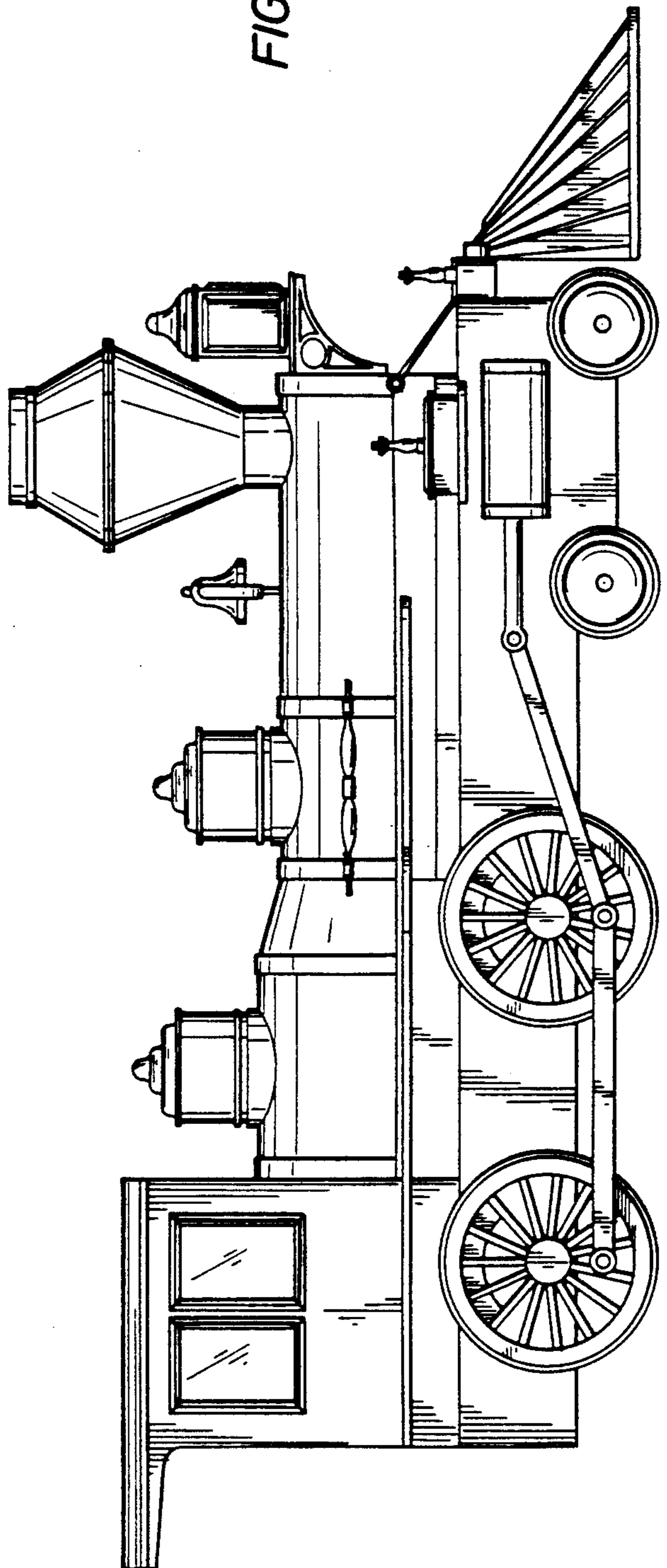


FIG. 3

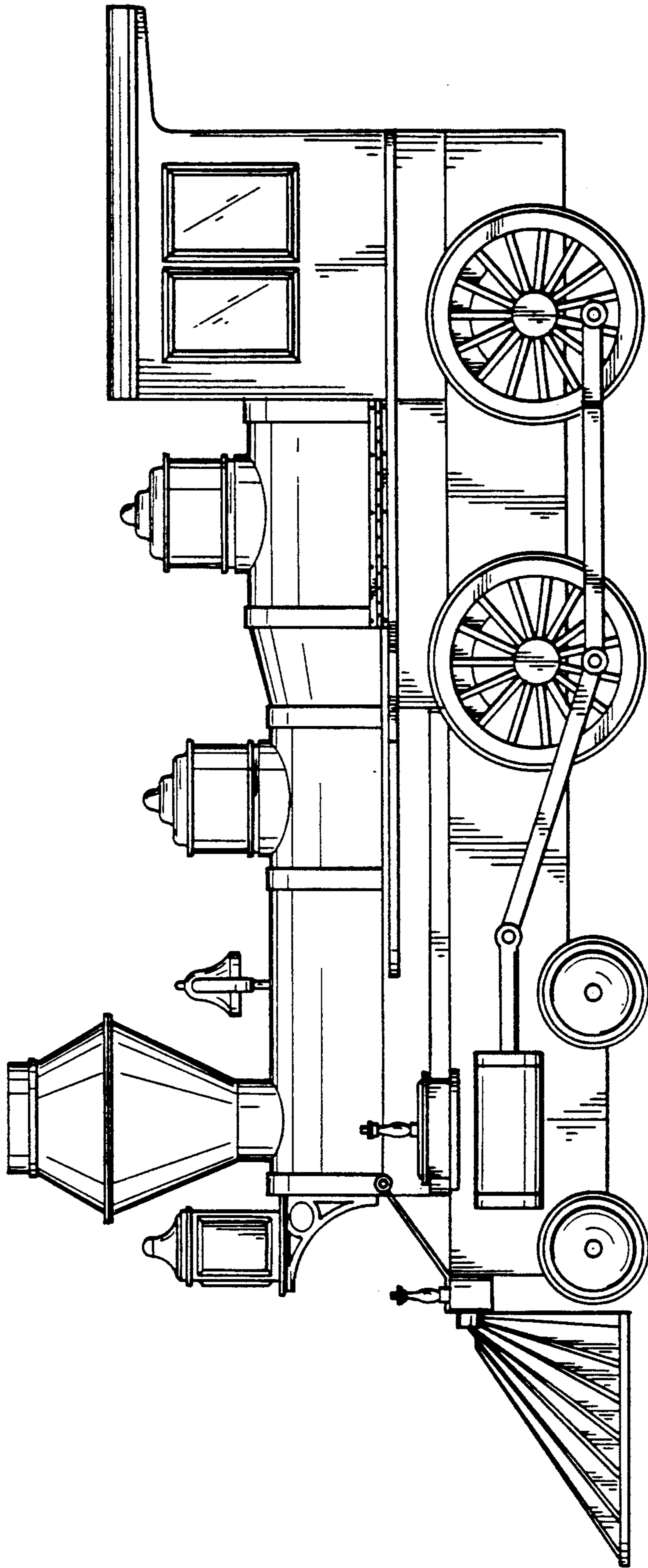


FIG. 4

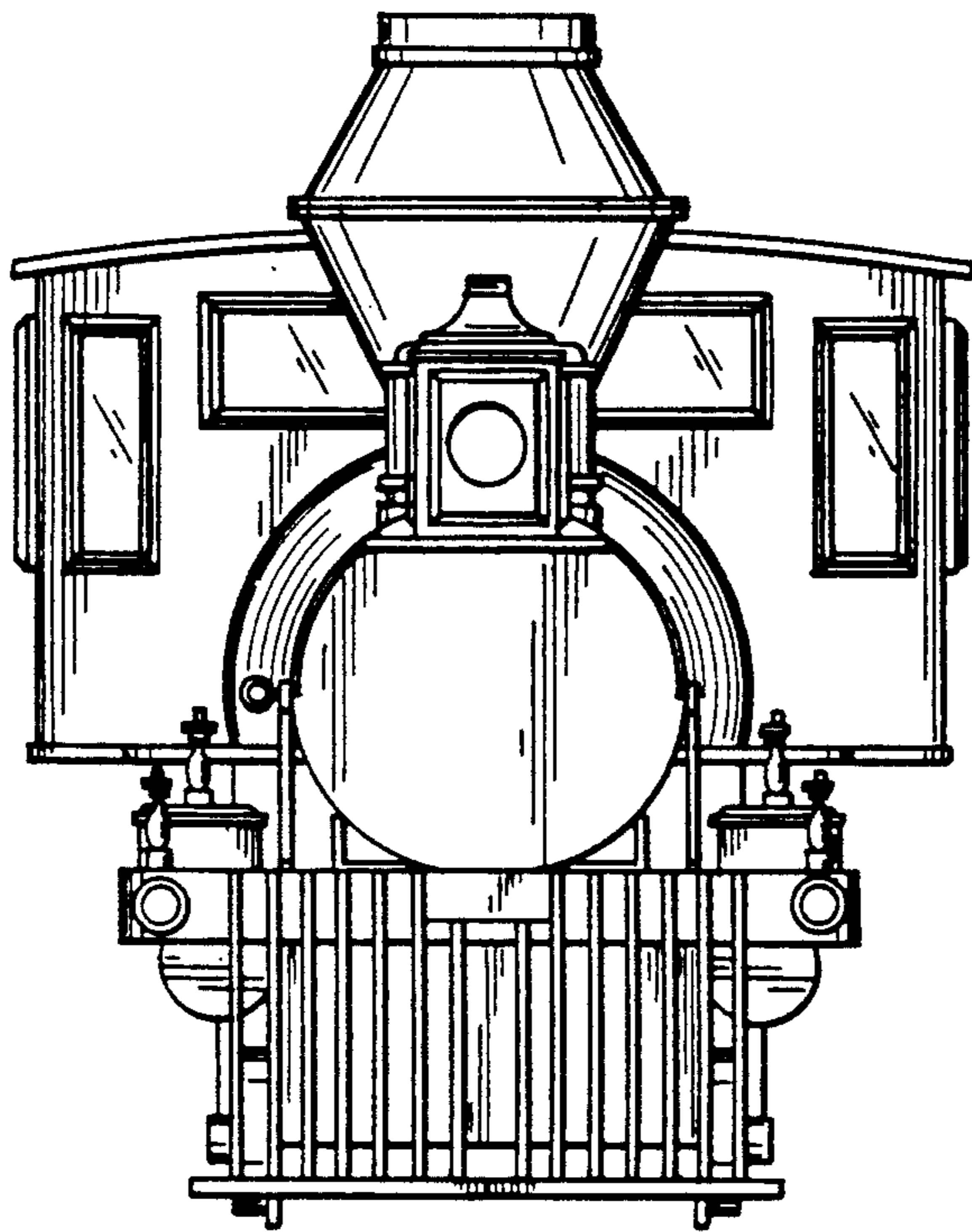


FIG. 5

