



US00D340604S

# United States Patent [19]

[11] Patent Number: **Des. 340,604**

Conaway et al.

[45] Date of Patent: **\*\* Oct. 26, 1993**

[54] **SHOWER CADDY**

[75] Inventors: **Brian J. Conaway**, Wooster; **Tyrone M. Keyes**, Cincinnati, both of Ohio

[73] Assignee: **Rubbermaid Incorporated**, Wooster, Ohio

[\*\*] Term: **14 Years**

[21] Appl. No.: **816,928**

[22] Filed: **Jan. 3, 1992**

[52] U.S. Cl. .... **D6/525**

[58] Field of Search ..... **D6/524-525, D6/527, 566; 211/13, 49.1, 60.1, 70.6, 71, 74-75, 86-88, 90, 128, 134, 181; 248/108-109, 175-176**

[56] **References Cited**

**U.S. PATENT DOCUMENTS**

D. 154,903	8/1949	Caldwell	.....	D4/3
D. 233,639	11/1974	Wooters	.....	D6/4
D. 251,522	4/1979	Chapman	.....	D6/525
D. 274,393	6/1984	Sinchok	.....	D6/86
D. 294,902	3/1988	Sussman	.....	D6/525
D. 315,840	4/1991	Emery	.....	D6/525
D. 320,134	9/1991	Emery	.....	D6/525
3,789,996	2/1974	Stroh	.....	211/181 X

**OTHER PUBLICATIONS**

Selfix, Inc. 4501 W. 47th Street, Chicago, IL 60632, 3 pages advertising, 1990.

Better Bath, Division of Better Sleep, Inc., Berkeley Heights, New Jersey 07922, 1 page advertisement, date unknown.

Sally Designs Ltd., P.O. Box 161, Glencoe, IL 60022 (1984).

Colette Shower Caddy, Waterbury Companies, Inc., P.O. Box 1812, Waterbury, CT 08722 (1988) 1 advertising sheet.

Lillian Vernon/Hold Everything Bath Essentials, 1 page advertisement, 1991.

Cosmepak, Div. of FPI Thermoplastic Technologies,

P.O. Box 1907, Morristown, NJ 07962, 1 page advertisement, date unknown.

Tucker Housewares, 1 page advertisement, 1990.

Creative Bath, Crystal Clear Super Shower Caddy, 1 page advertisement, date unknown.

Artwire, 1 page advertisement, date unknown.

Grayline Housewares, 1 page advertisement, date unknown.

Lee-Rowan Space Solvers, 1 page advertisement, date unknown.

Rubbermaid Incorporated, Wooster, Ohio 44691, Rubbermaid II Bath Collections, 3 page brochure, 1979.

*Primary Examiner*—Brian N. Vinson

*Attorney, Agent, or Firm*—Renner, Kenner, Greive, Bobak, Taylor & Weber

[57] **CLAIM**

The ornamental design for a shower caddy, as shown and described.

**DESCRIPTION**

FIG. 1 is a perspective view of a shower caddy embodying our new design;

FIG. 2 is a front elevational view thereof;

FIG. 3 is a top plan view thereof;

FIG. 4 is a bottom plan view thereof;

FIG. 5 is a rear elevational view thereof;

FIG. 6 is a side elevational view thereof showing the side opposite to that which is shown in FIG. 1;

FIG. 7 is a perspective view of another embodiment of a shower caddy embodying our new design;

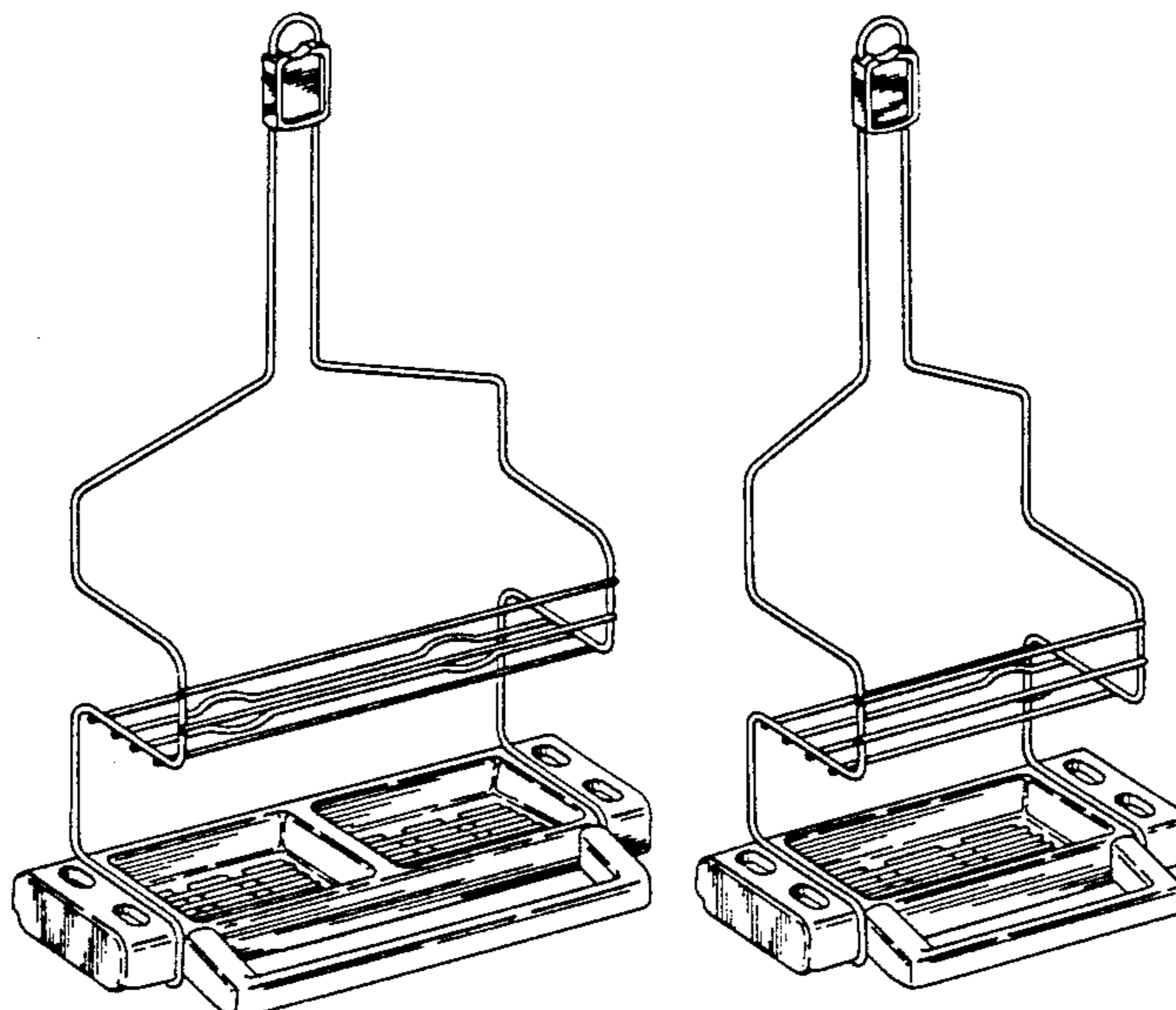
FIG. 8 is a front elevational view of the embodiment of FIG. 7;

FIG. 9 is a top plan view of the embodiment of FIG. 7;

FIG. 10 is a bottom plan view of the embodiment of FIG. 7; and,

FIG. 11 is a rear elevational view of the embodiment of FIG. 7.

The side elevational view of the embodiment of FIG. 7 is identical to that which is shown in FIG. 6.



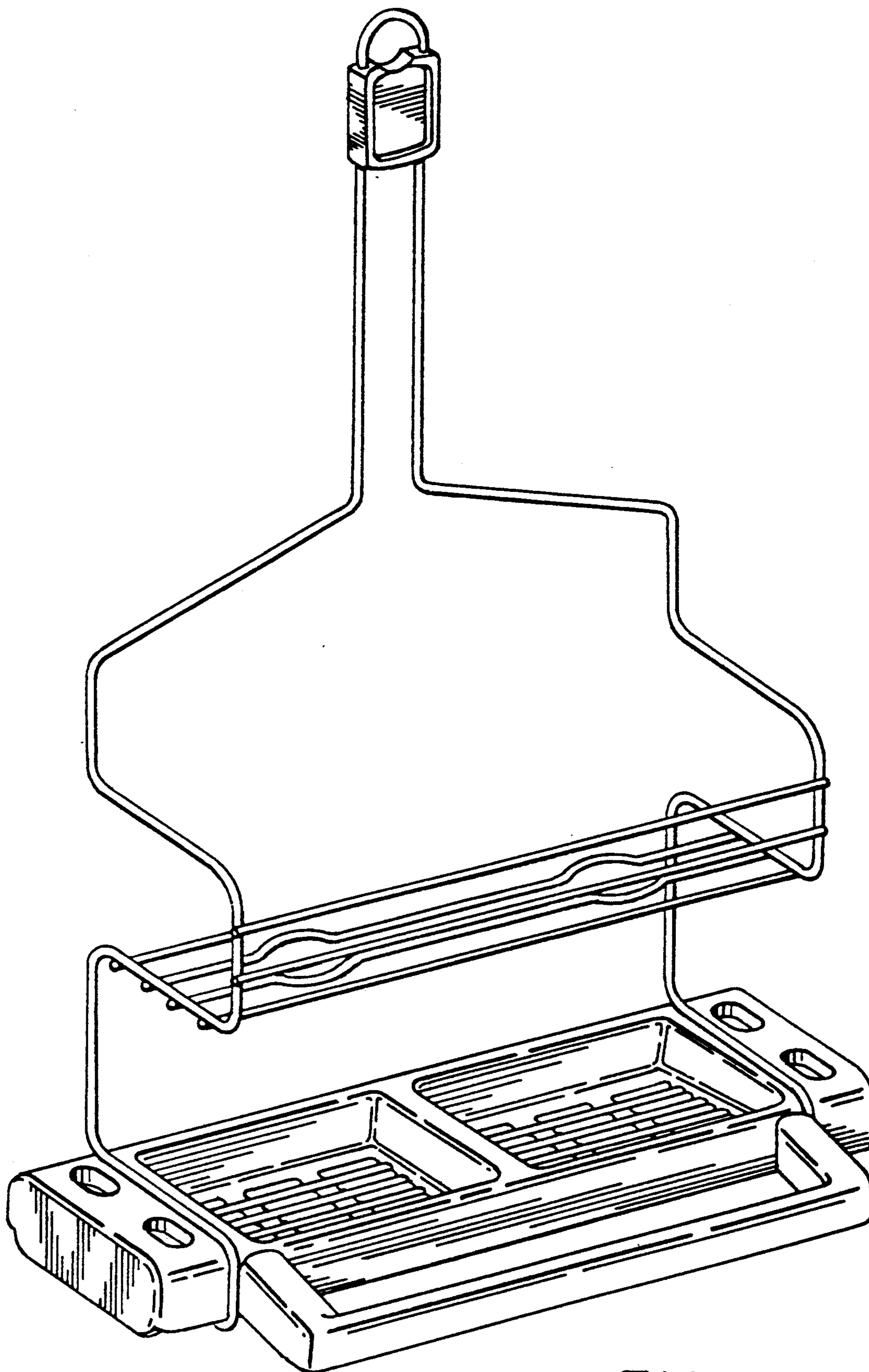


FIG. 1

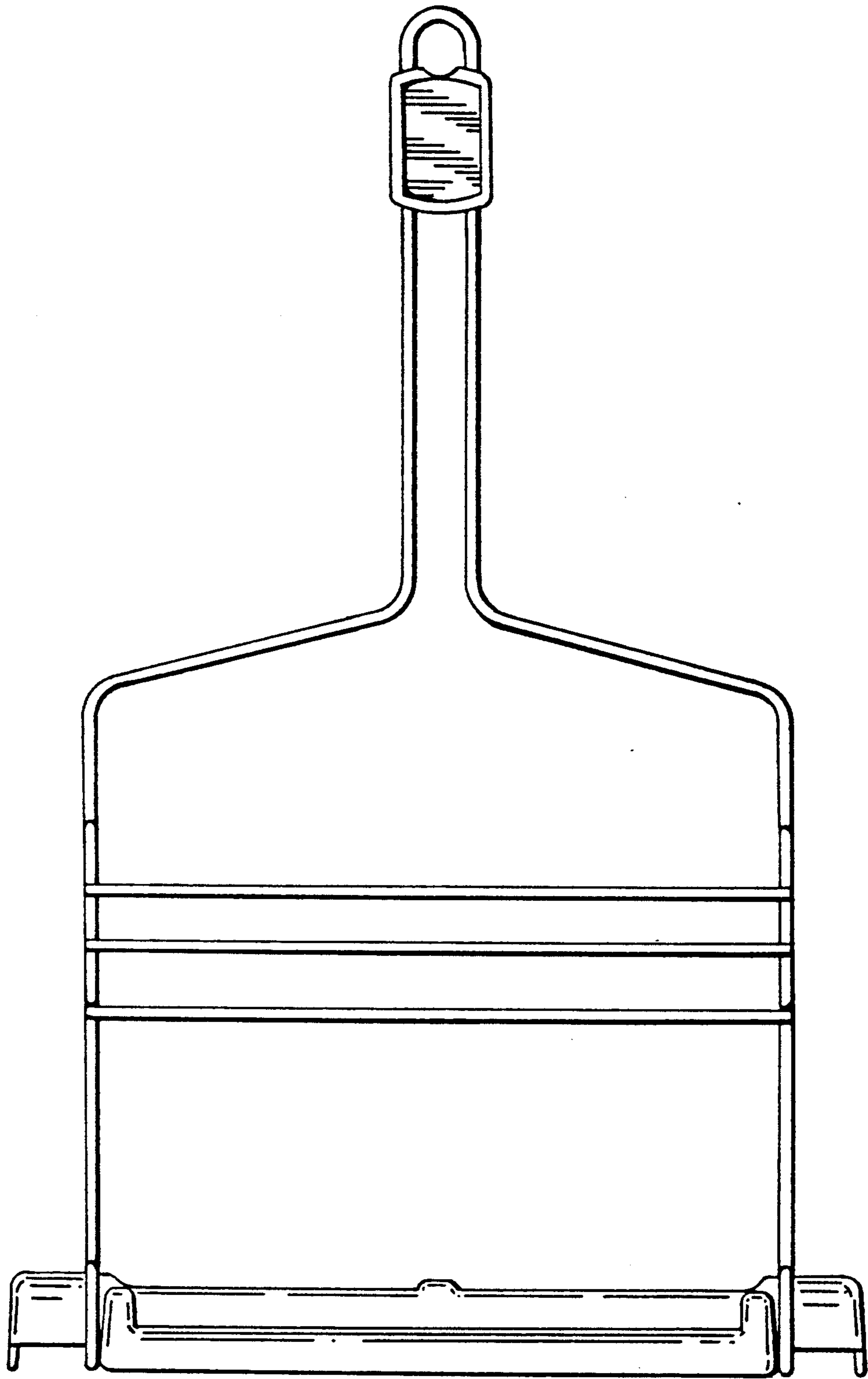


FIG. 2

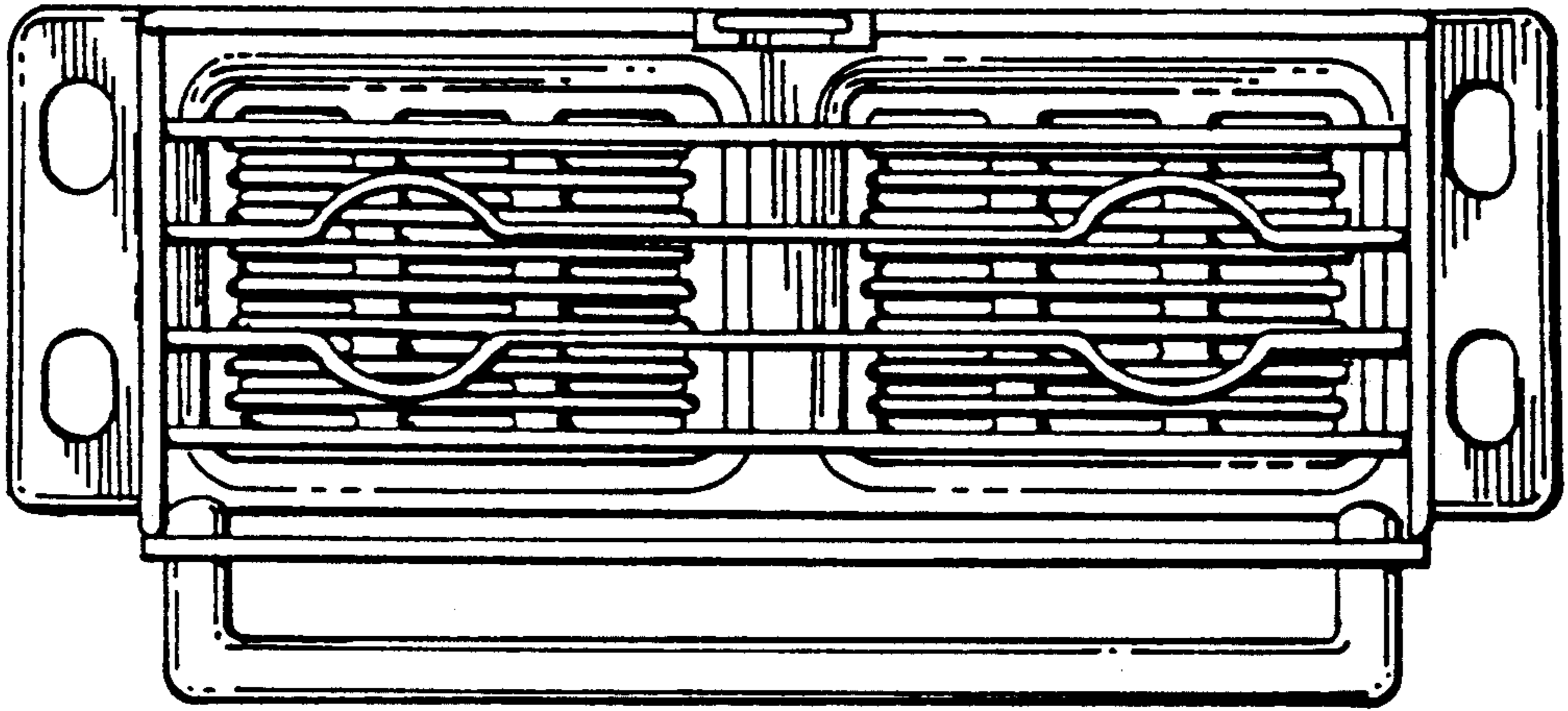


FIG. 3

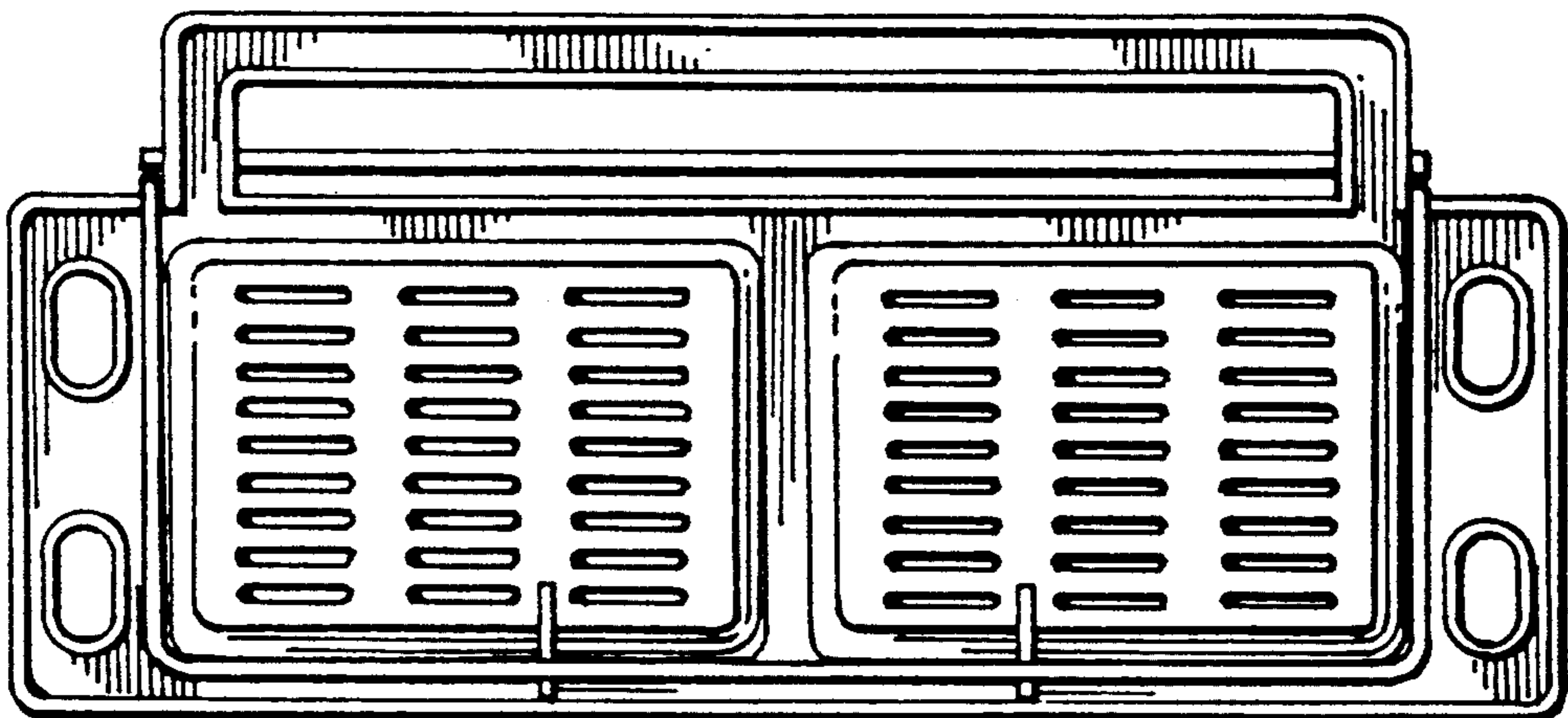


FIG. 4

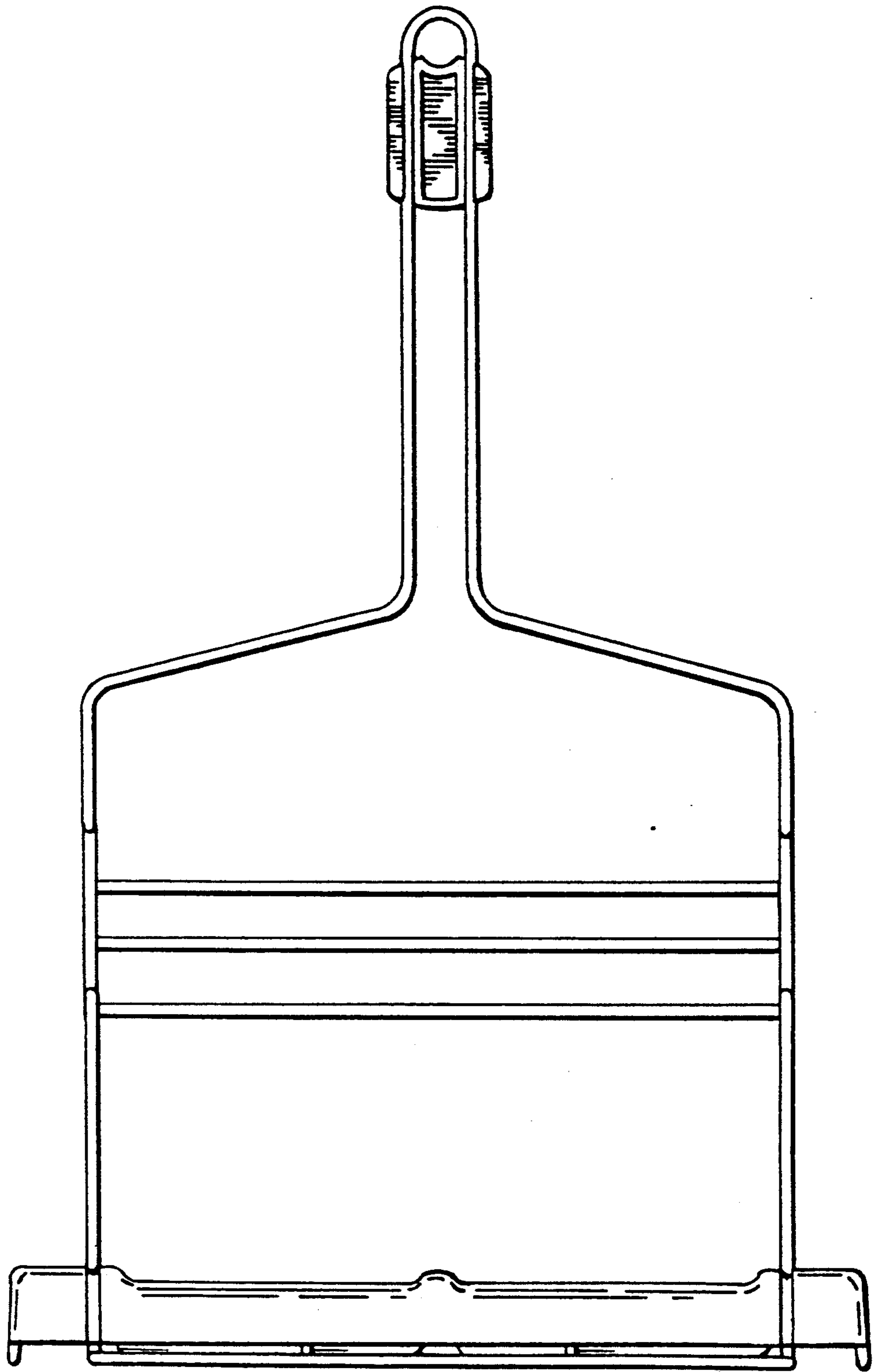


FIG. 5

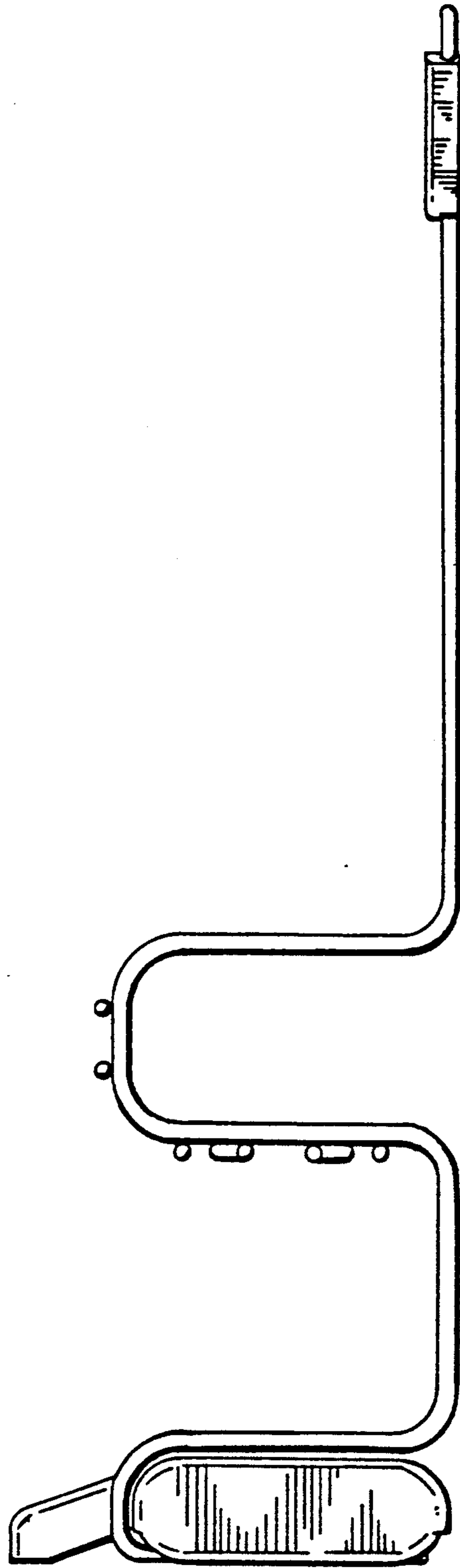


FIG. 6

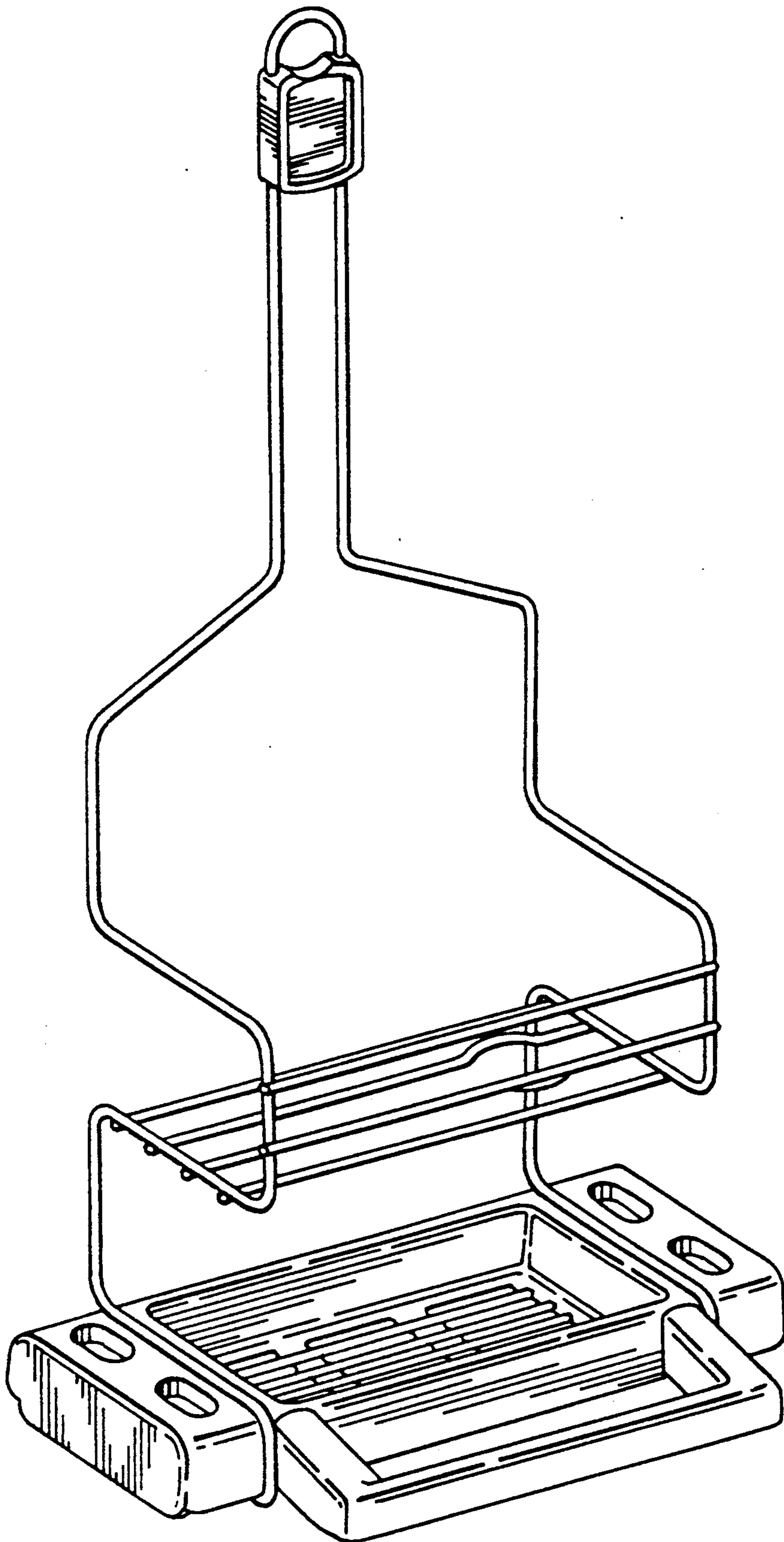


FIG. 7

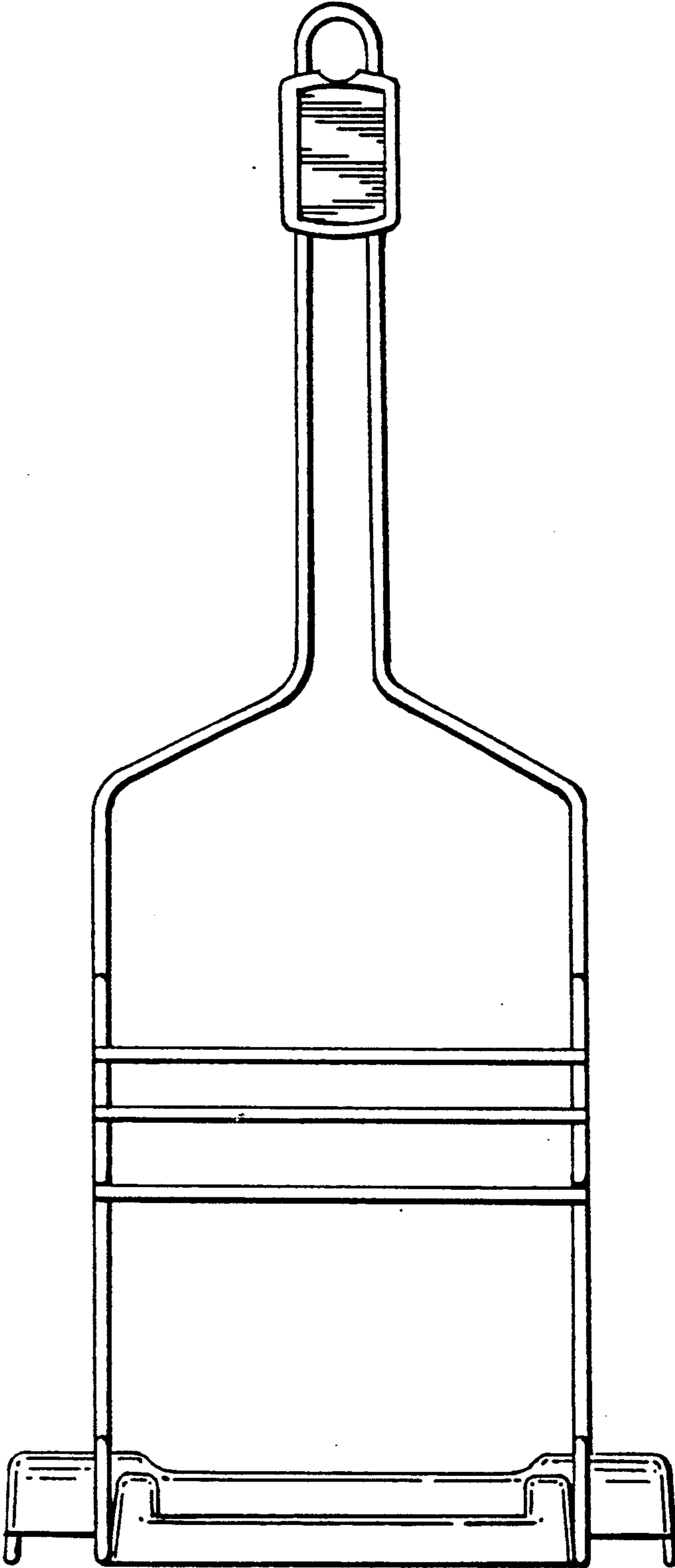


FIG. 8



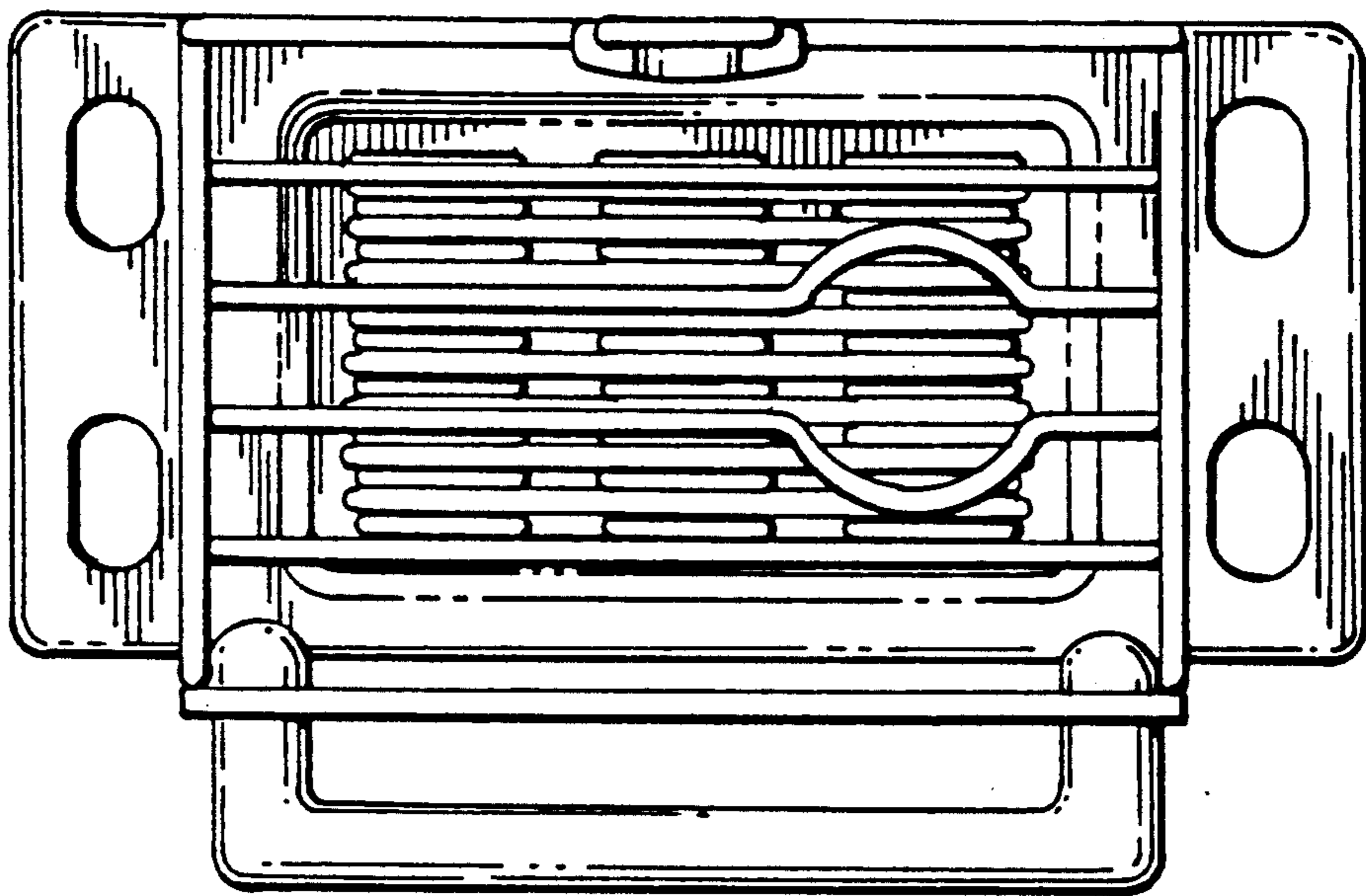


FIG. 9

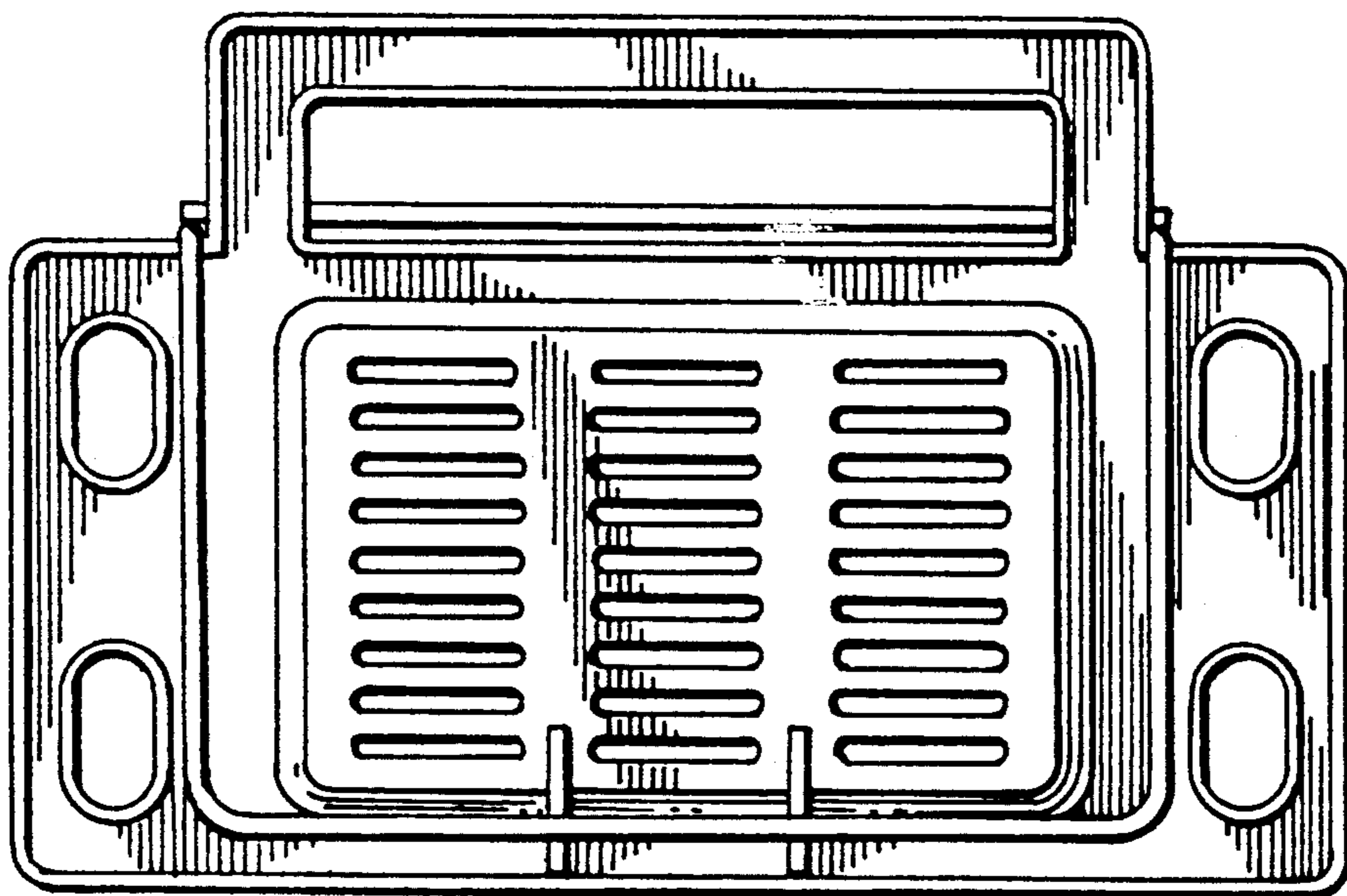


FIG. 10

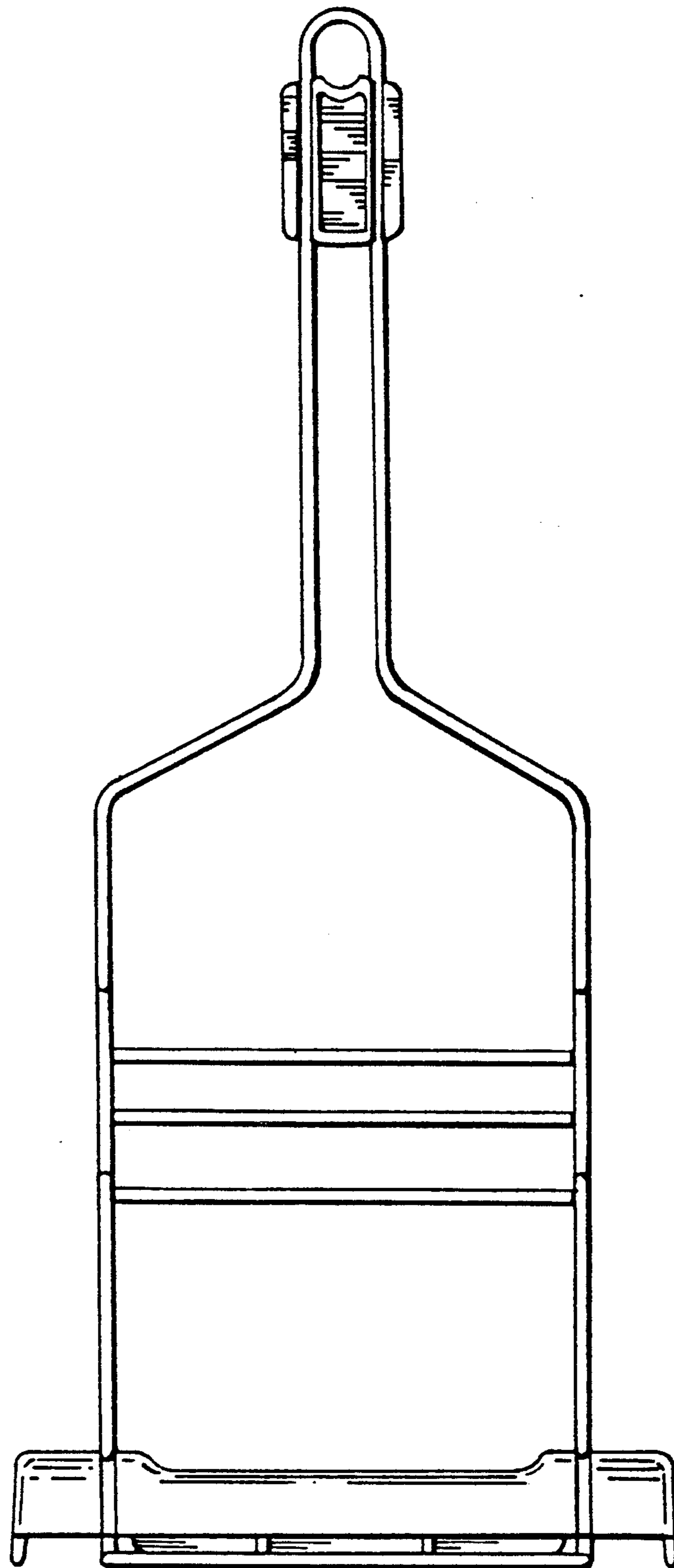


FIG. II