



US00D340598S

# United States Patent [19]

Castiglioni et al.

[11] Patent Number: **Des. 340,598**

[45] Date of Patent: **\*\* Oct. 26, 1993**

[54] TABLE

[75] Inventors: **Achille Castiglioni; Michele DeLucchi**, both of Milano, Italy

[73] Assignee: **Ing. C. Olivetti & C., S.p.A.**, Ivrea, Italy

[\*\*] Term: **14 Years**

[21] Appl. No.: **692,038**

[22] Filed: **Apr. 25, 1991**

[30] **Foreign Application Priority Data**

Oct. 25, 1990 [IT] Italy ..... 53332/90

[52] U.S. Cl. .... **D6/480; D6/487**

[58] Field of Search ..... **D6/480-489, D6/495, 498, 499; 108/161, 50**

[56] **References Cited**

**U.S. PATENT DOCUMENTS**

D. 133,624 9/1942 Hollander ..... D6/480

D. 167,739 9/1952 Carr ..... D6/480

D. 171,620 3/1954 Roth ..... D6/487 X

D. 179,301 11/1956 Jones et al. .... D6/480

D. 180,407 6/1957 Jones et al. .... D6/484

**OTHER PUBLICATIONS**

Balboa, Table at bottom, p. 7, copy in C-13 Box in design 1.b.

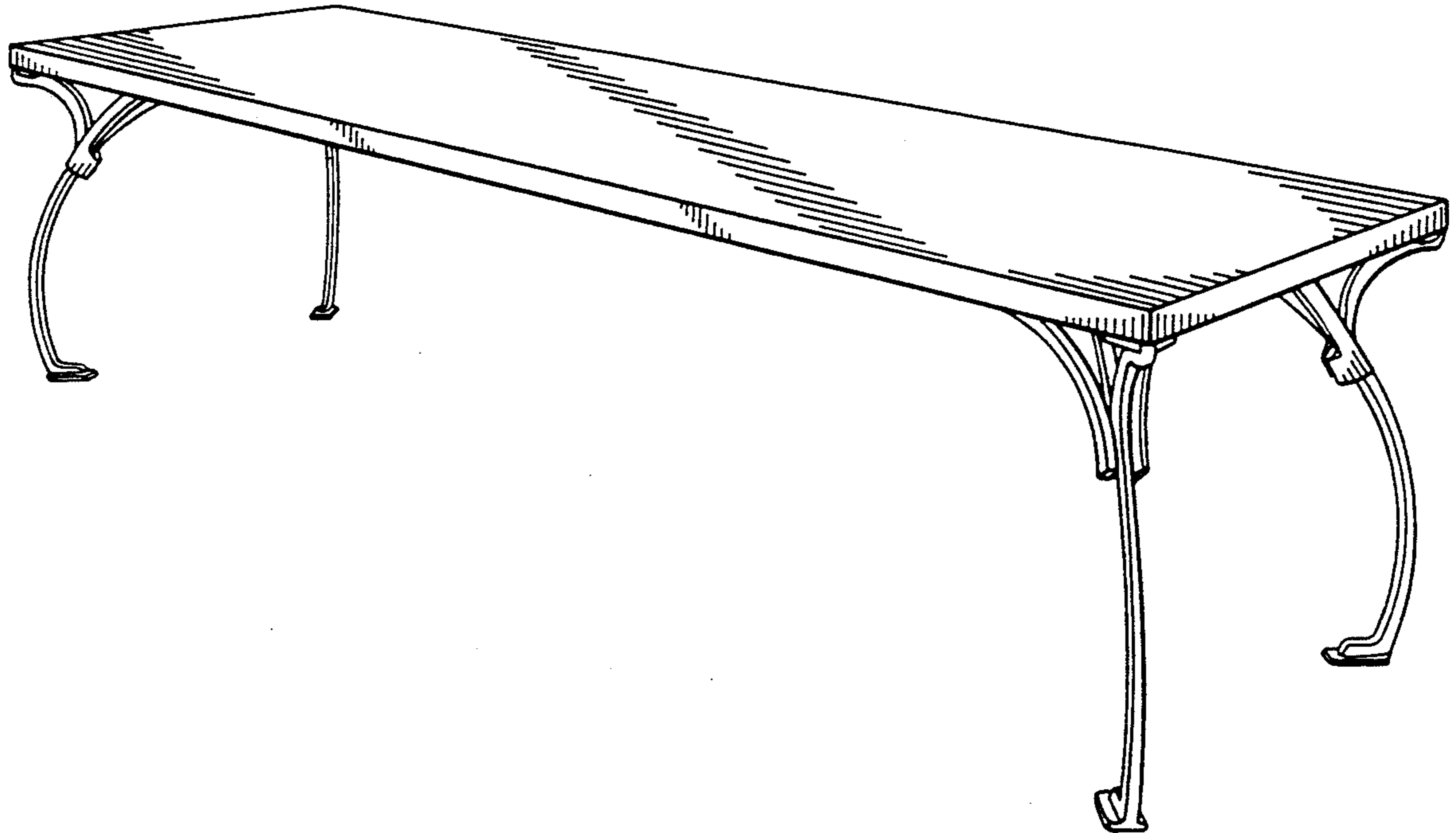
*Primary Examiner*—Nelson C. Holtje  
*Assistant Examiner*—J. E. Seeger  
*Attorney, Agent, or Firm*—Banner, Birch, McKie & Beckett

[57] **CLAIM**

The ornamental design for a table, as shown and described.

**DESCRIPTION**

FIG. 1 is a perspective view of a table, showing our new design;  
 FIG. 2 is a side elevational view, the opposite side being identical thereto;  
 FIG. 3 is a bottom plan view; and,  
 FIG. 4 is an end elevational view, the opposite end being identical thereto.



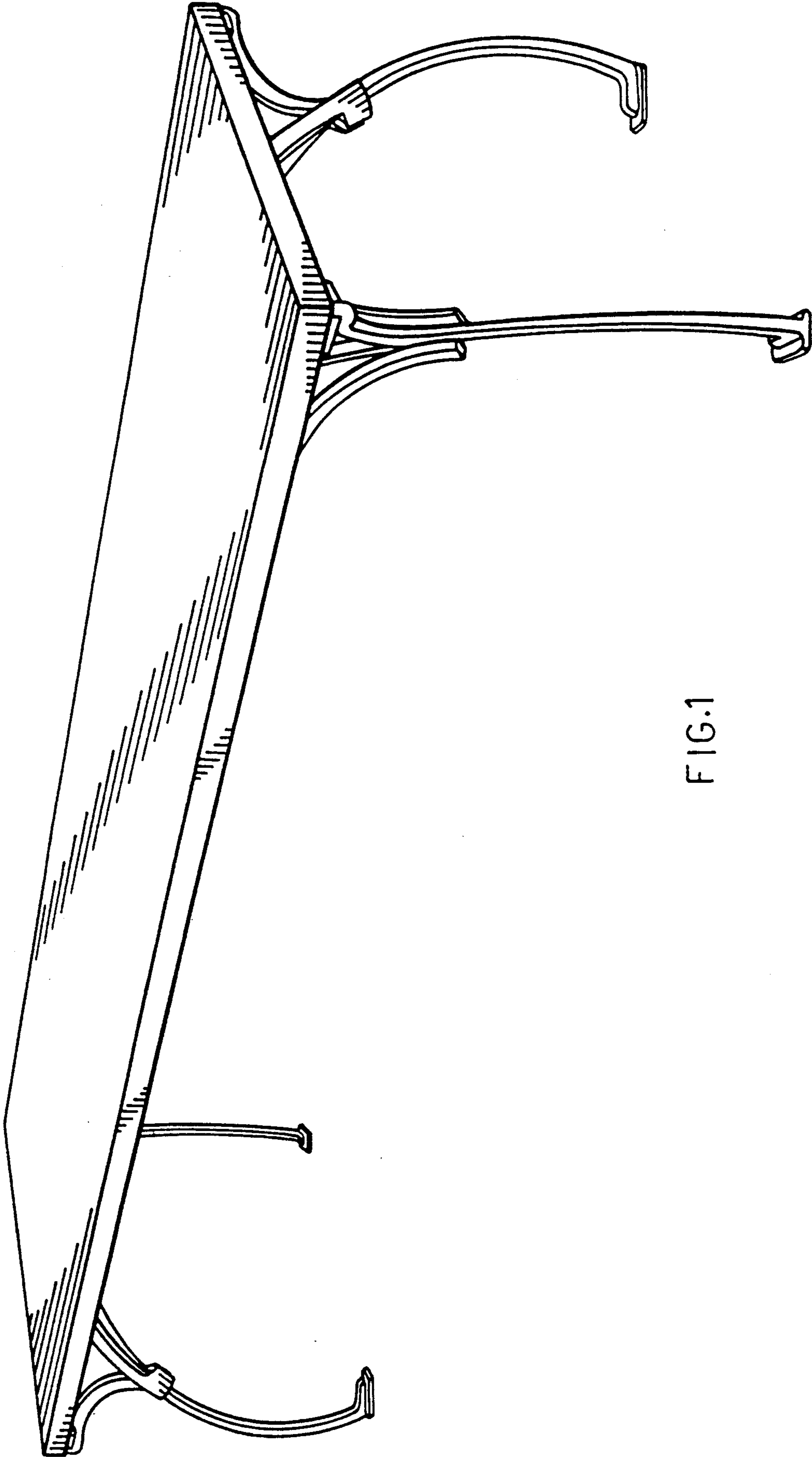


FIG. 1

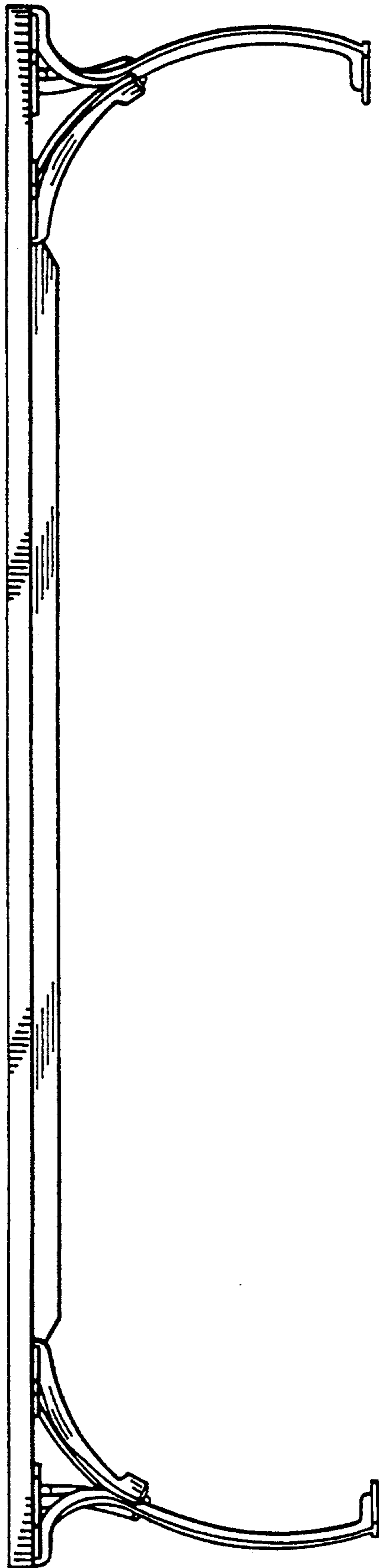


FIG. 2

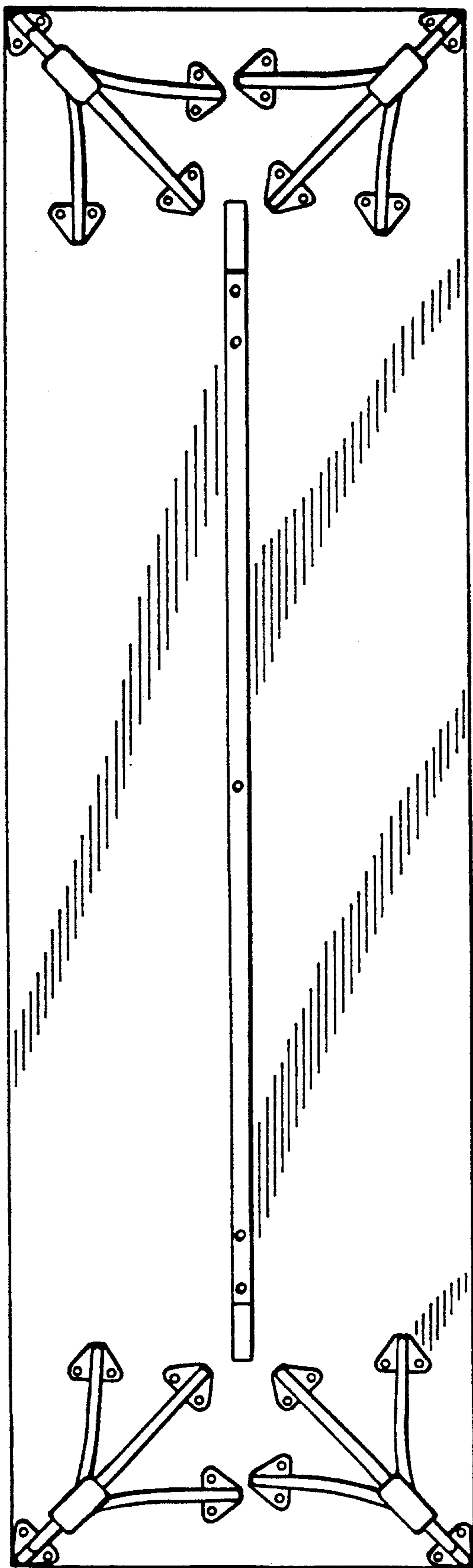


FIG. 3

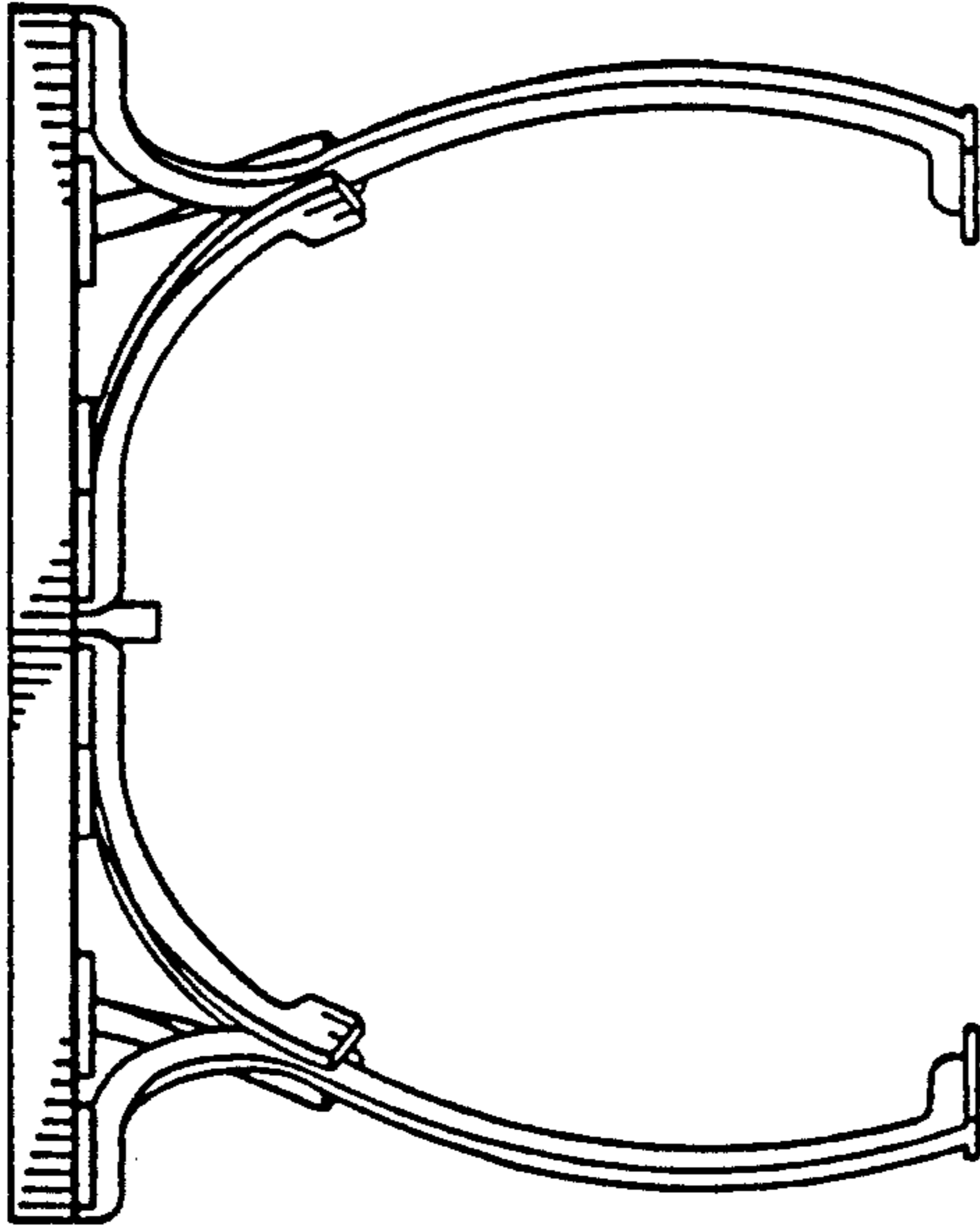


FIG.4