



US00D340594S

United States Patent [19]

[11] Patent Number: **Des. 340,594**

Lambert

[45] Date of Patent: **** Oct. 26, 1993**

[54] **LEG SUPPORT FOR WHEELCHAIR OCCUPANTS**

[56] **References Cited**

[76] Inventor: **Stanley R. Lambert, 22319 Mossy Oaks Rd., Spring, Tex. 77389**

U.S. PATENT DOCUMENTS

D. 159,003	6/1950	Rothschild	D6/495
D. 180,720	7/1957	Orvedahl	D6/406
D. 281,842	12/1985	Blacklinger	D6/406 X
D. 303,190	9/1989	Suttles	D6/491
D. 318,960	8/1991	Lilly et al.	D6/406
2,647,716	8/1953	Hudziak	108/43

[**] Term: **14 Years**

Primary Examiner—Alan P. Douglas
Assistant Examiner—J. E. Seeger
Attorney, Agent, or Firm—Kenneth A. Roddy

[21] Appl. No.: **680,270**

[57] CLAIM

The ornamental design for a leg support for wheelchair occupants, as shown and described.

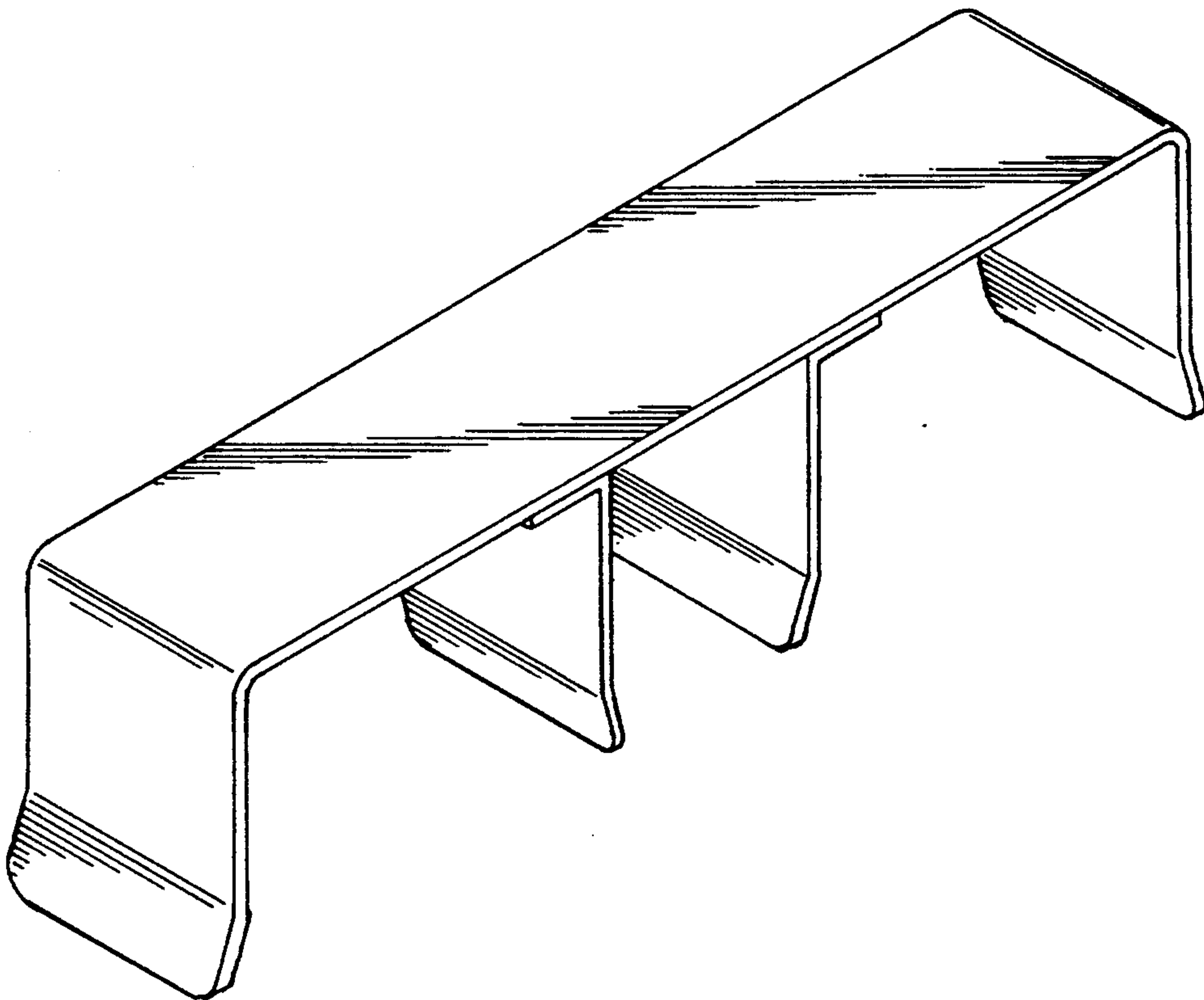
[22] Filed: **Apr. 4, 1991**

DESCRIPTION

[52] U.S. Cl. **D6/406; D6/491; D6/501**

[58] Field of Search **D6/491, 495, 509-511, D6/406; D12/133; 108/43**

FIG. 1 is a top perspective view of a leg support for wheelchair occupants, showing my new design; and, FIG. 2 is a bottom perspective view thereof.



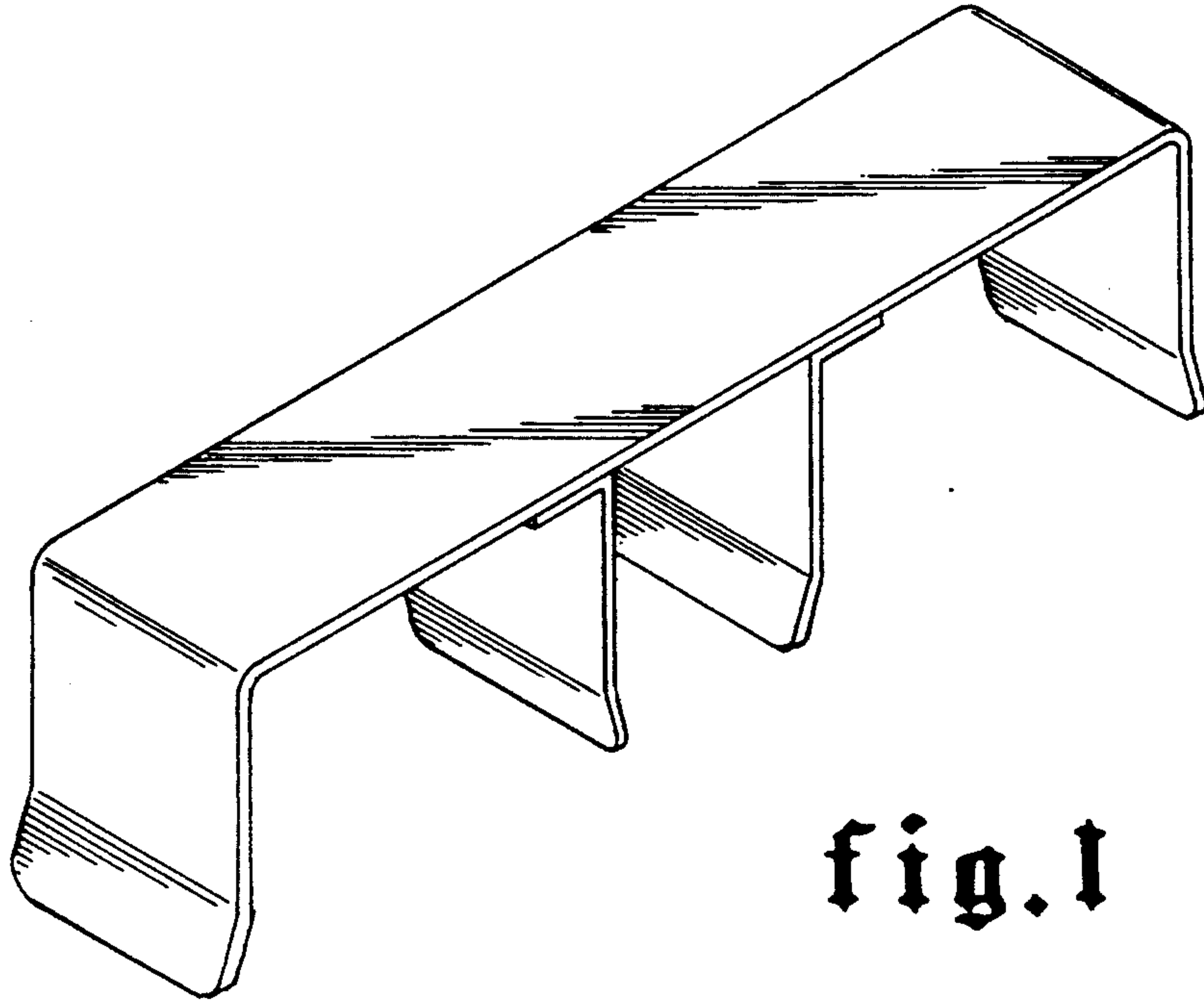


fig. 1

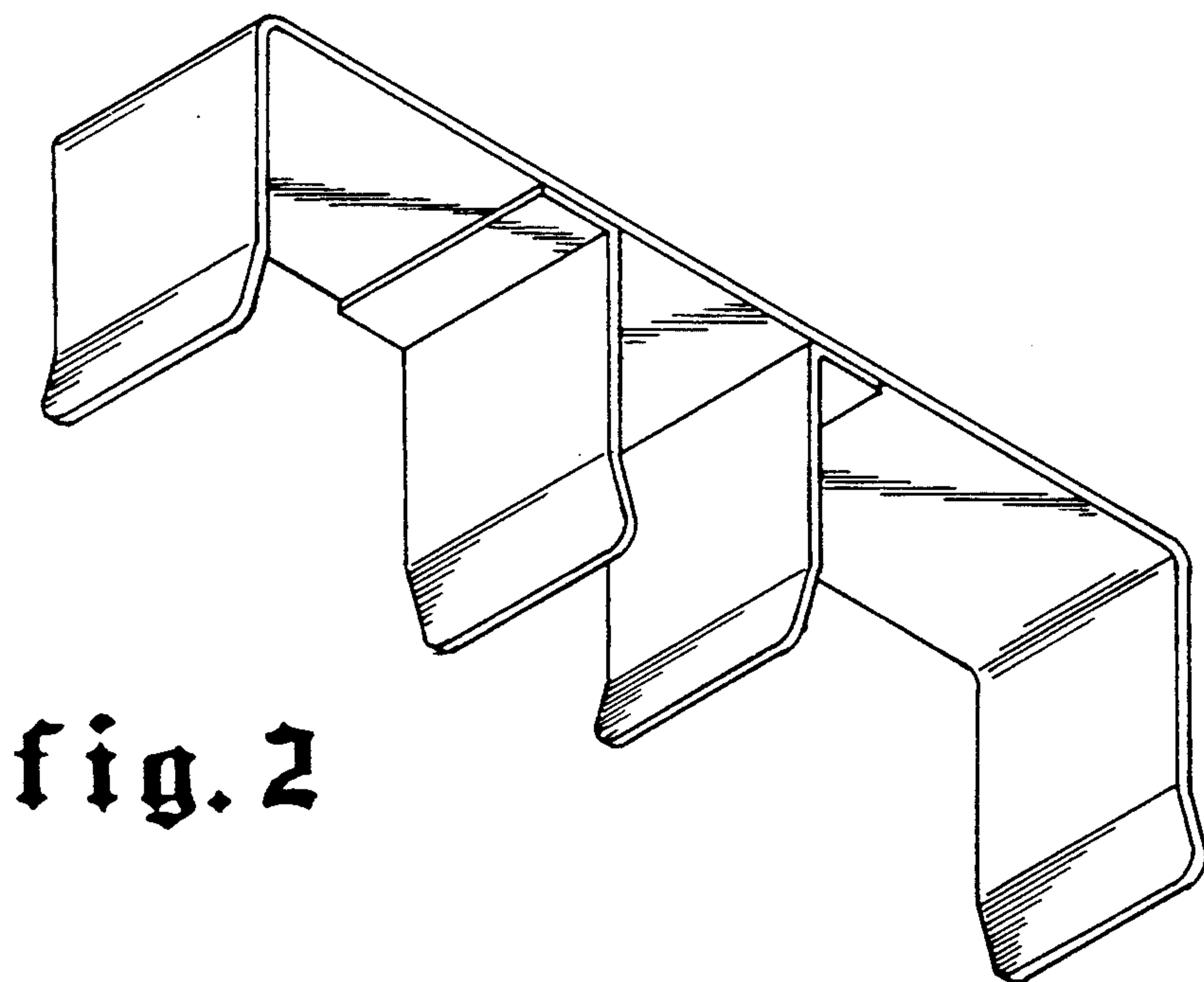


fig. 2