



US00D340587S

United States Patent [19]

[11] Patent Number: **Des. 340,587**

Spencer

[45] Date of Patent: **** Oct. 26, 1993**

[54] **STOOL WITH COLLAPSIBLE STEPS AND BACK**

[56] **References Cited**

U.S. PATENT DOCUMENTS

- D. 175,781 10/1955 Kranz D6/325
- D. 199,979 1/1965 Bates et al. D6/350
- D. 270,590 9/1983 Berlic D25/65 X
- 4,130,316 12/1978 Rossi 297/46

[76] Inventor: **Thomas H. Spencer, 3 Dunedin Road, Ramsgate Kent, United Kingdom, CT12 6NH**

Primary Examiner—Alan P. Douglas
Assistant Examiner—Gary D. Watson
Attorney, Agent, or Firm—Leon Gilden

[**] Term: **14 Years**

[57] **CLAIM**

The ornamental design for a stool with collapsible steps and back, as shown and described.

[21] Appl. No.: **538,483**

DESCRIPTION

[22] Filed: **Jun. 15, 1990**

FIG. 1 is a front elevational view of the stool with collapsible steps and back showing my new design;
FIG. 2 is a rear elevational view thereof;
FIG. 3 is a left side elevational view thereof;
FIG. 4 is a right side elevational view thereof;
FIG. 5 is a top plan view thereof;
FIG. 6 is a bottom plan view thereof; and,
FIG. 7 is a perspective view thereof.

[52] U.S. Cl. D6/335; D6/350; D25/65

[58] Field of Search D6/334, 335, 349, 350, D6/353, 360, 368, 500, 501, 502; D25/63, 65; 182/26, 33, 33.3, 33.5, 159; 297/46, 423, 425, 429

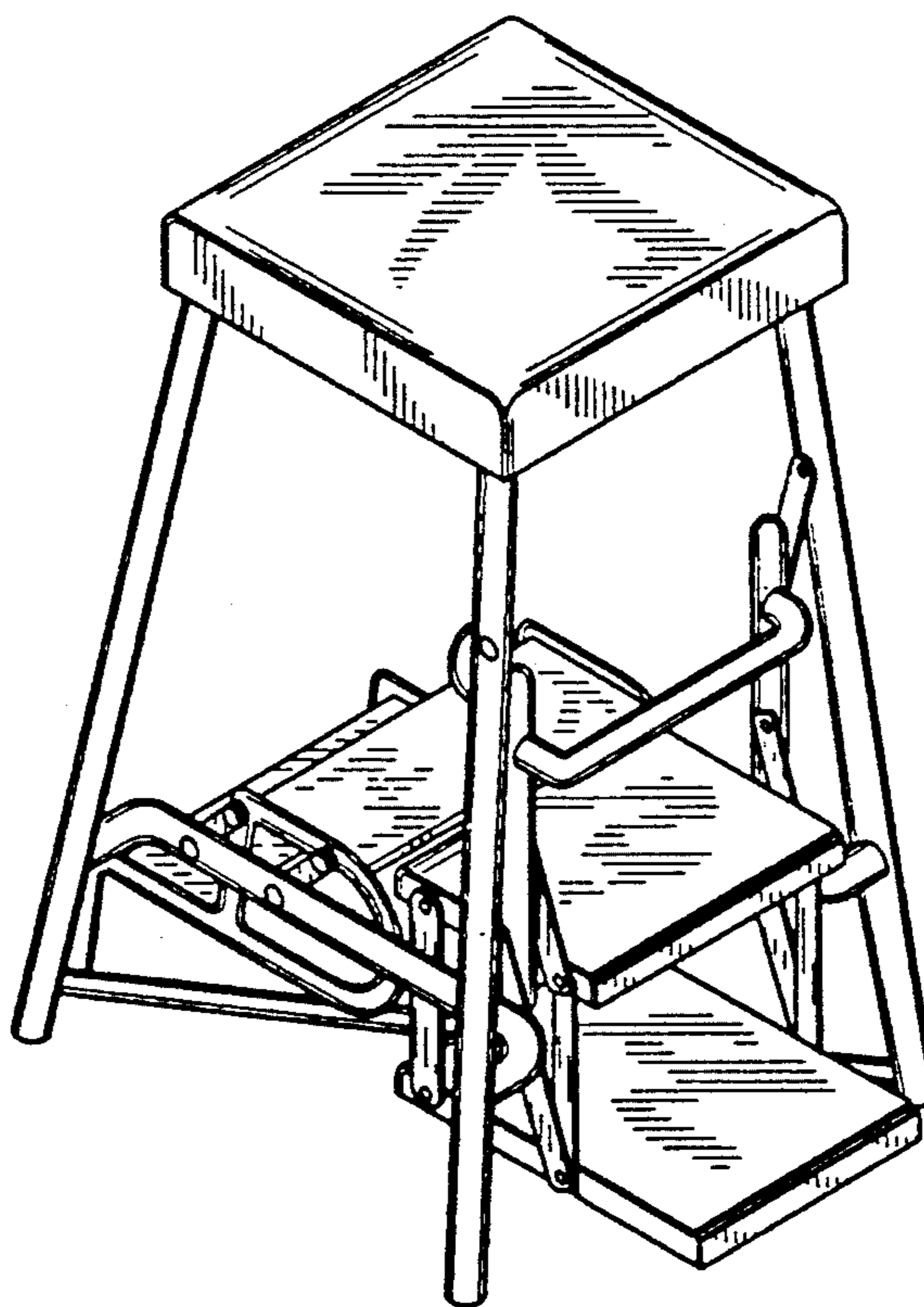


FIG. 1

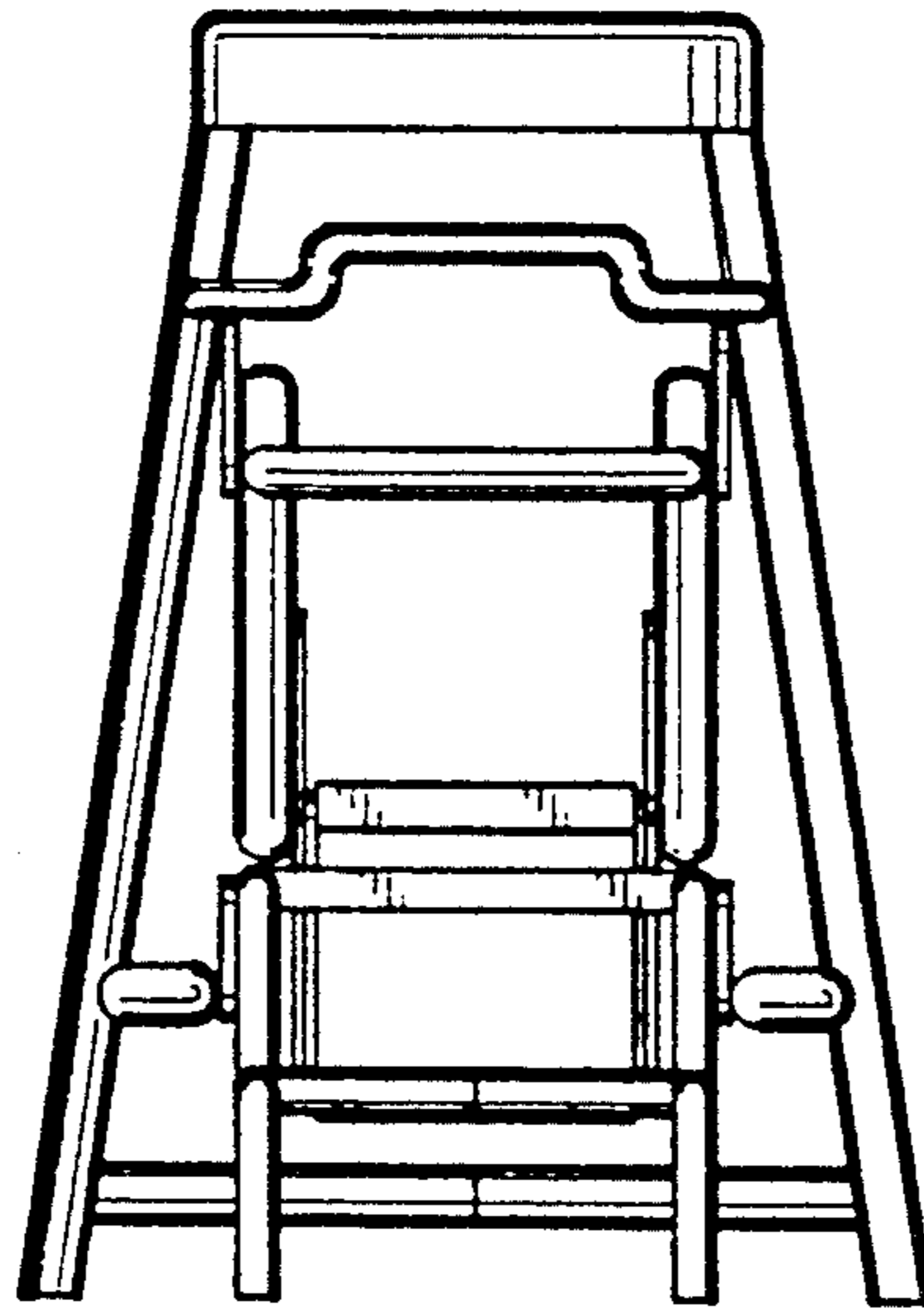


FIG. 2

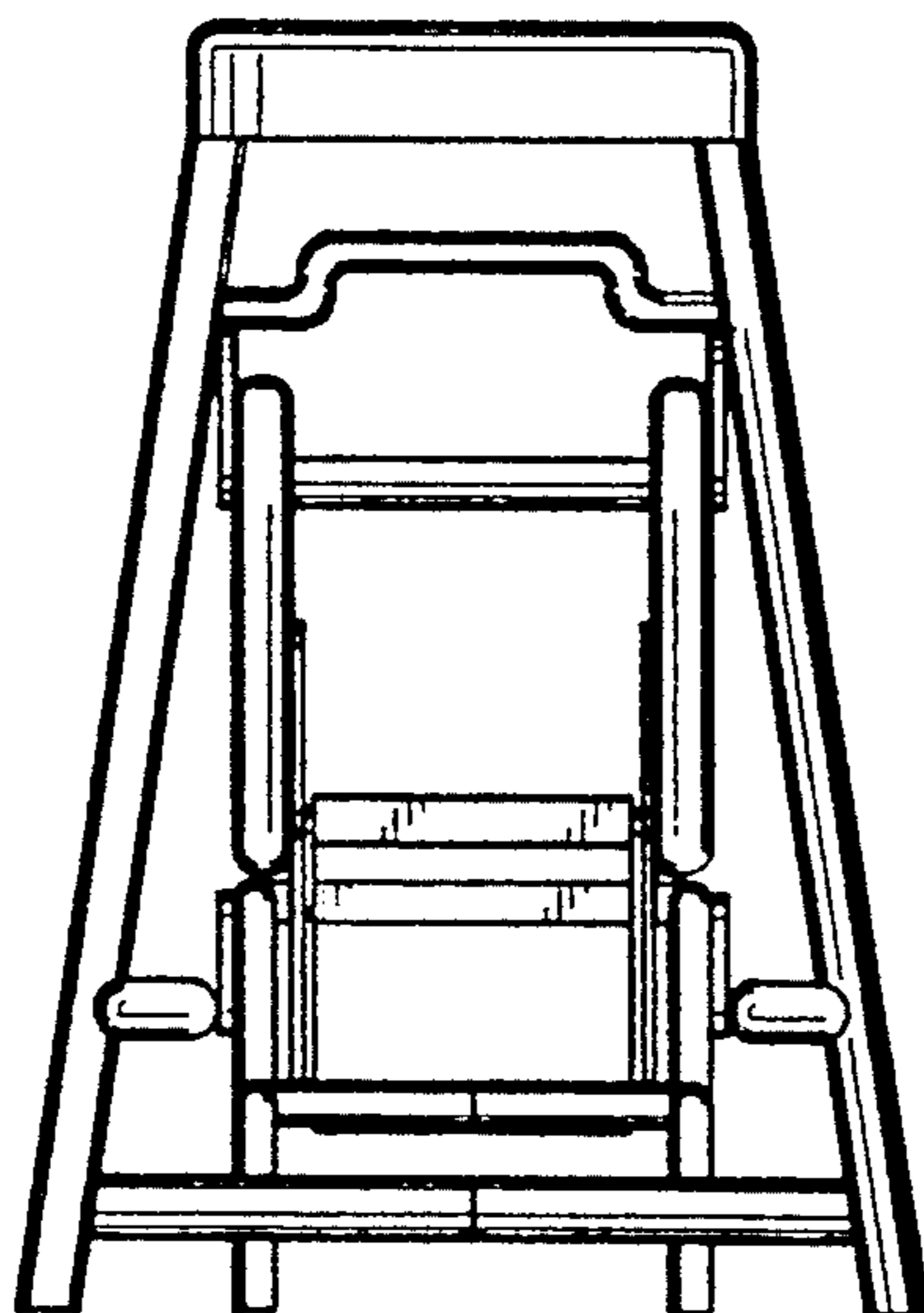


FIG. 3

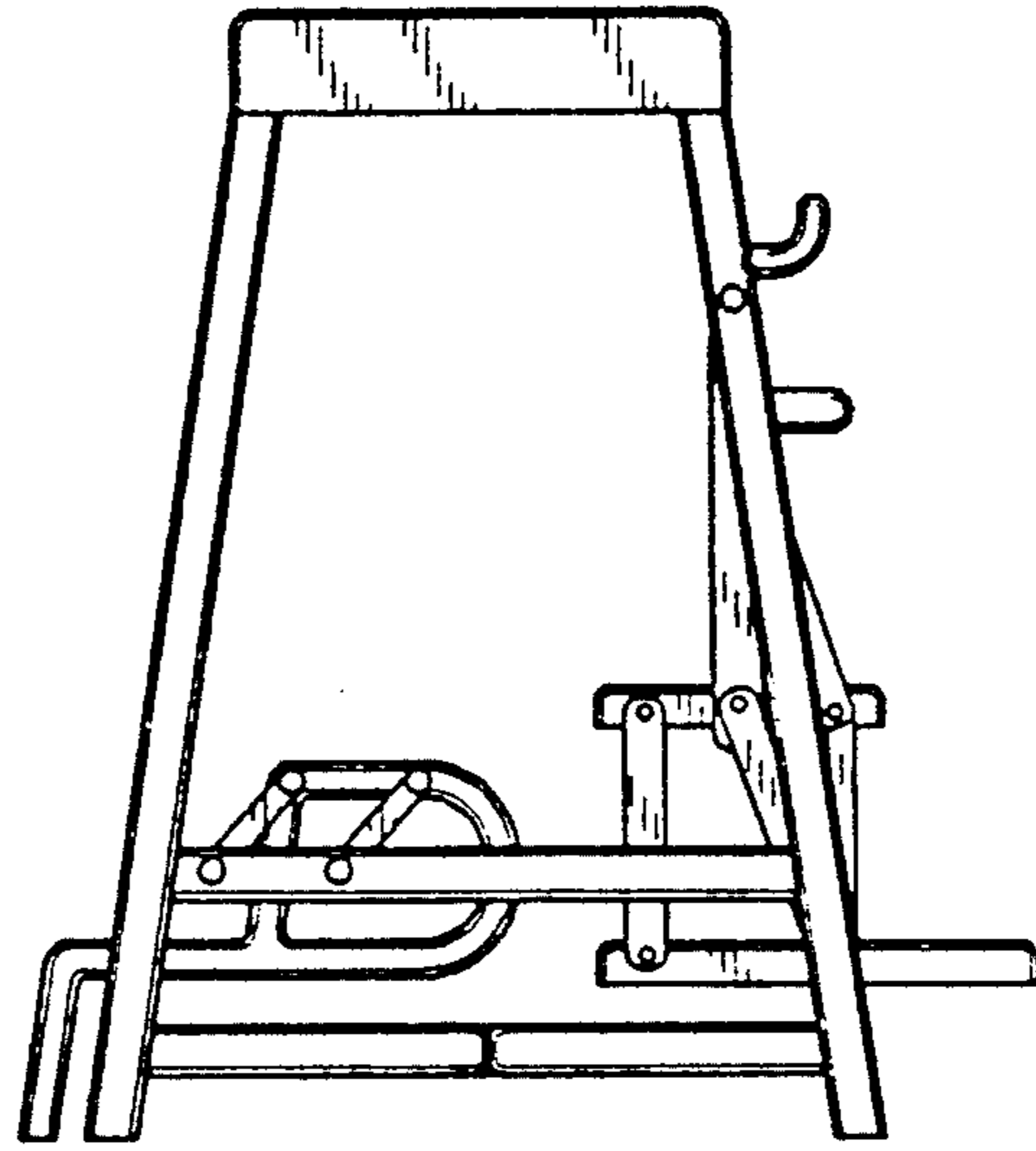


FIG. 4

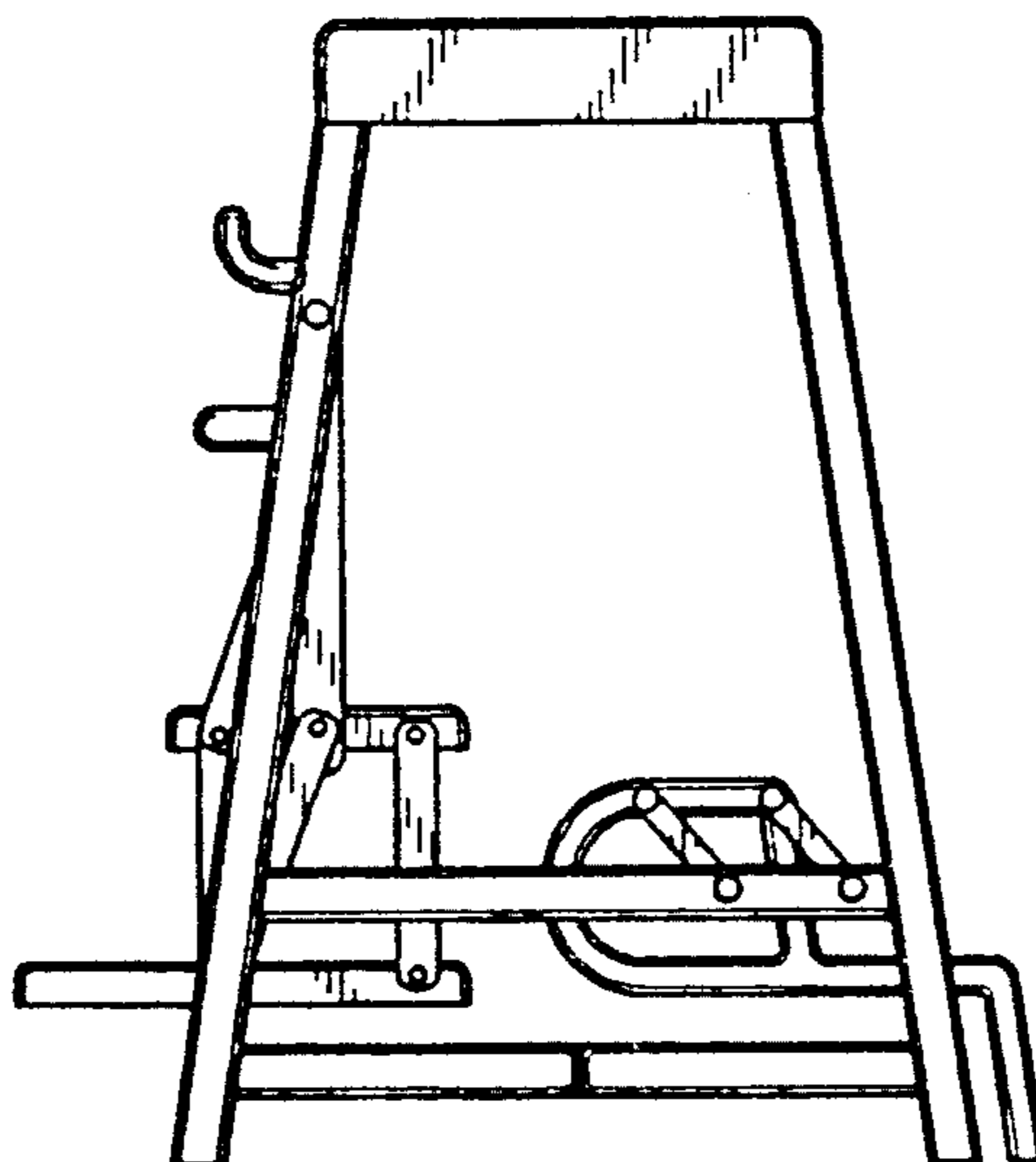


FIG. 5

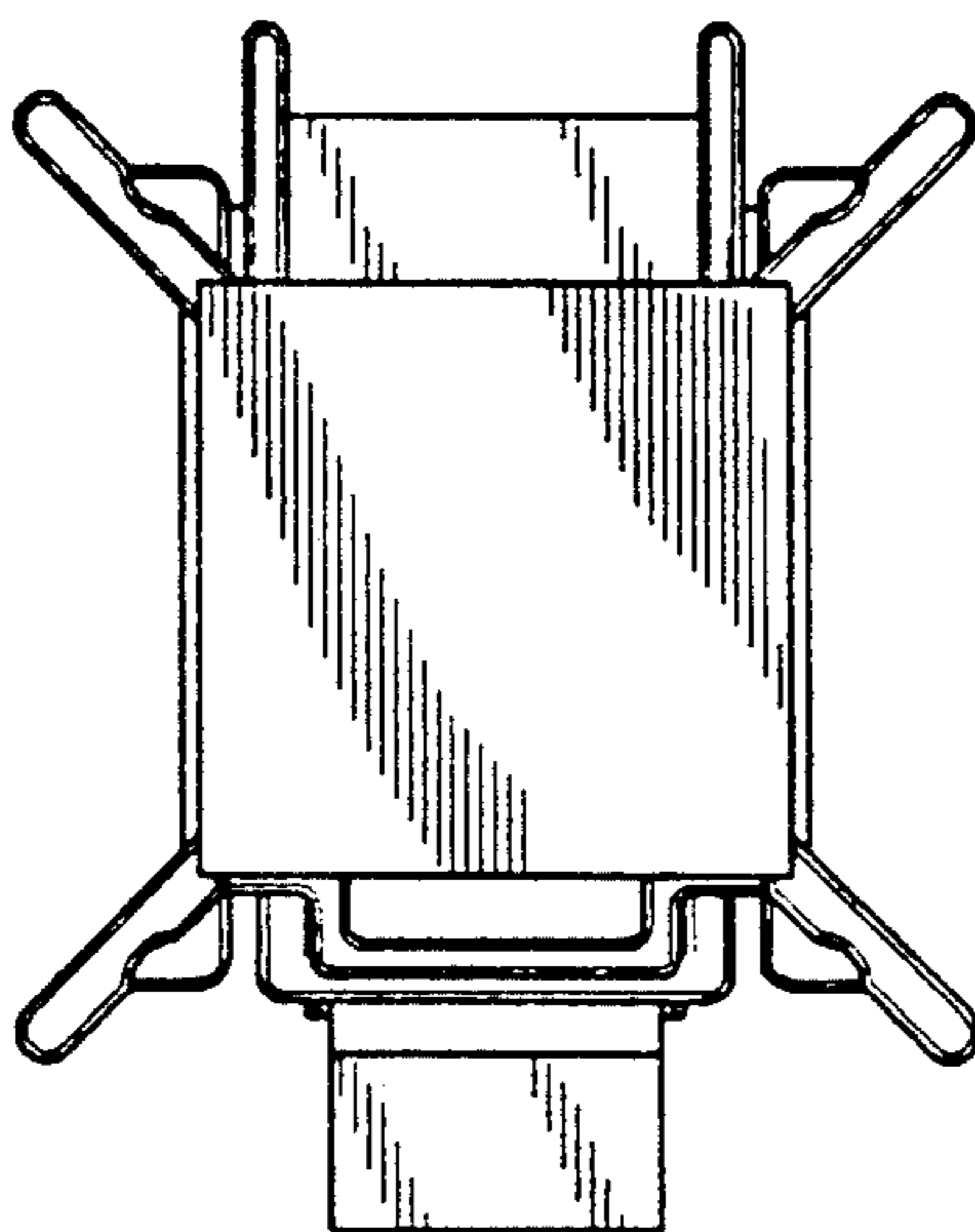


FIG. 6

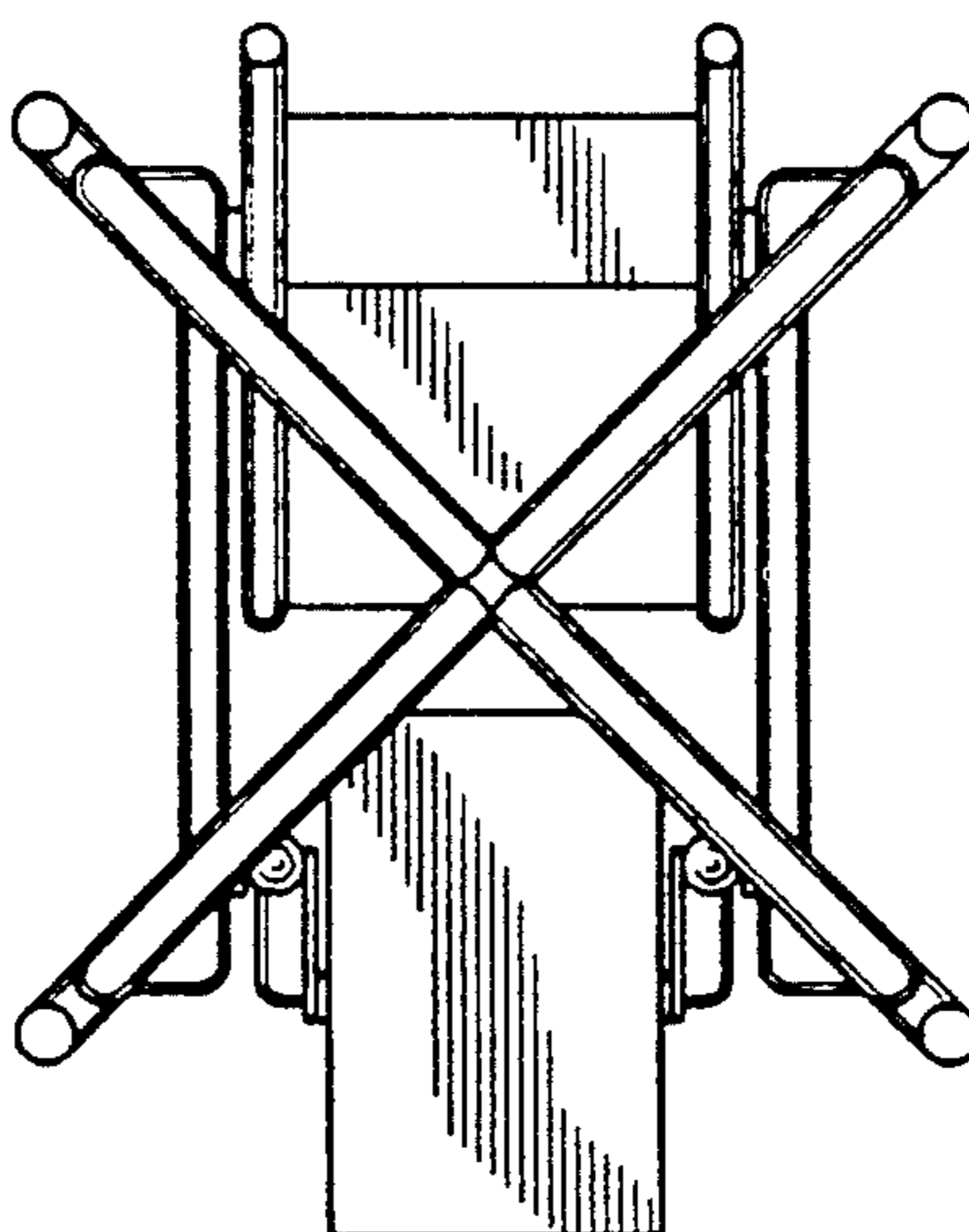


FIG. 7

