



US00D340582S

# United States Patent [19]

[11] Patent Number: Des. 340,582

Pressentin

[45] Date of Patent: \*\* Oct. 26, 1993

[54] BEVERAGE CAN BELT

[76] Inventor: Gary G. Pressentin, 1344 Morrison St., Madison, Wis. 53703-3812

[\*\*] Term: 14 Years

[21] Appl. No.: 734,855

[22] Filed: Jul. 23, 1991

[52] U.S. Cl. .... D3/106; D3/100

[58] Field of Search ..... D3/38, 30.1, 100, 104, D3/105, 106; D2/630; 2/321, 338; 224/222, 223, 224, 253, 901, 148, 250, 919, 235; D7/608

3,578,199	5/1971	Duncan	.....	224/148 X
4,176,772	12/1979	Danon	.....	224/148
4,265,381	5/1981	Muscatell	.....	224/148
4,322,024	3/1982	Kelly	.....	224/224
4,449,654	5/1984	Cappis	.....	224/148
4,871,597	10/1989	Hobson	.....	428/36.1

Primary Examiner—A. Hugo Word  
Assistant Examiner—Doris V. Coles  
Attorney, Agent, or Firm—Ross & Stevens

### [57] CLAIM

The ornamental design for a beverage can belt, as shown and described.

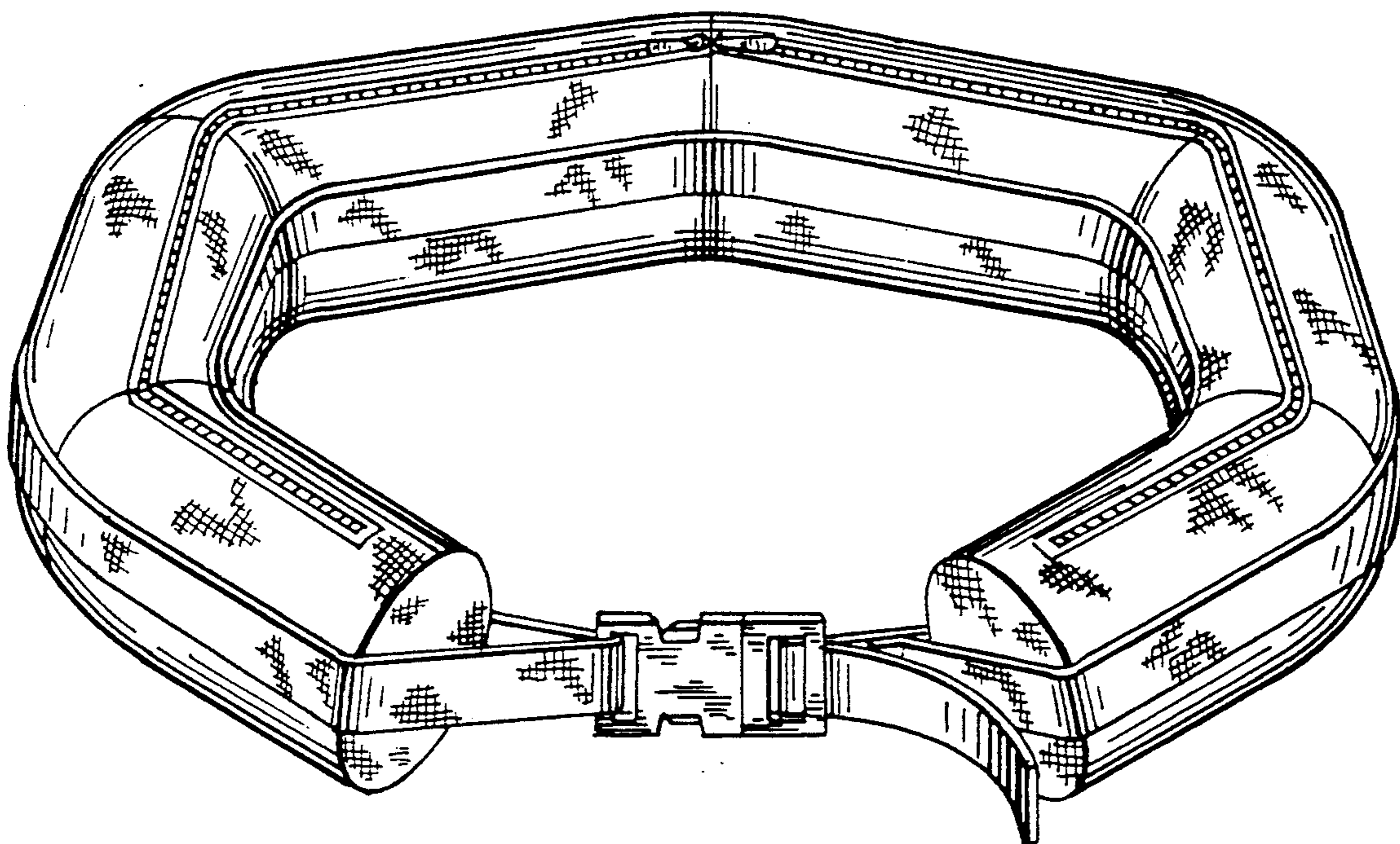
### [56] References Cited

#### U.S. PATENT DOCUMENTS

D. 191,696	11/1961	Weil	.....	D2/630
D. 271,162	11/1983	Evans	.....	D3/38
D. 278,386	4/1985	Share	.....	D2/630
D. 279,424	7/1985	Leiserson et al.	.....	D2/630
D. 283,758	5/1986	Stewart et al.	.....	D3/38 X
D. 291,623	9/1987	Ericksen	.....	D2/630
D. 298,382	11/1988	Webster	.....	D2/630
D. 302,775	8/1989	Sinoff et al.	.....	D7/608 X
3,263,806	8/1966	Ring	.....	224/202 X

### DESCRIPTION

FIG. 1 is a perspective view of a beverage can belt in extended position showing my new design;  
FIG. 2 is a top plan view thereof;  
FIG. 3 is a bottom plan view thereof;  
FIG. 4 is a right side elevational view thereof;  
FIG. 5 is a left side elevational view thereof;  
FIG. 6 is a front elevational view thereof;  
FIG. 7 is a rear elevational view thereof; and,  
FIG. 8 is a perspective view thereof in closed position.



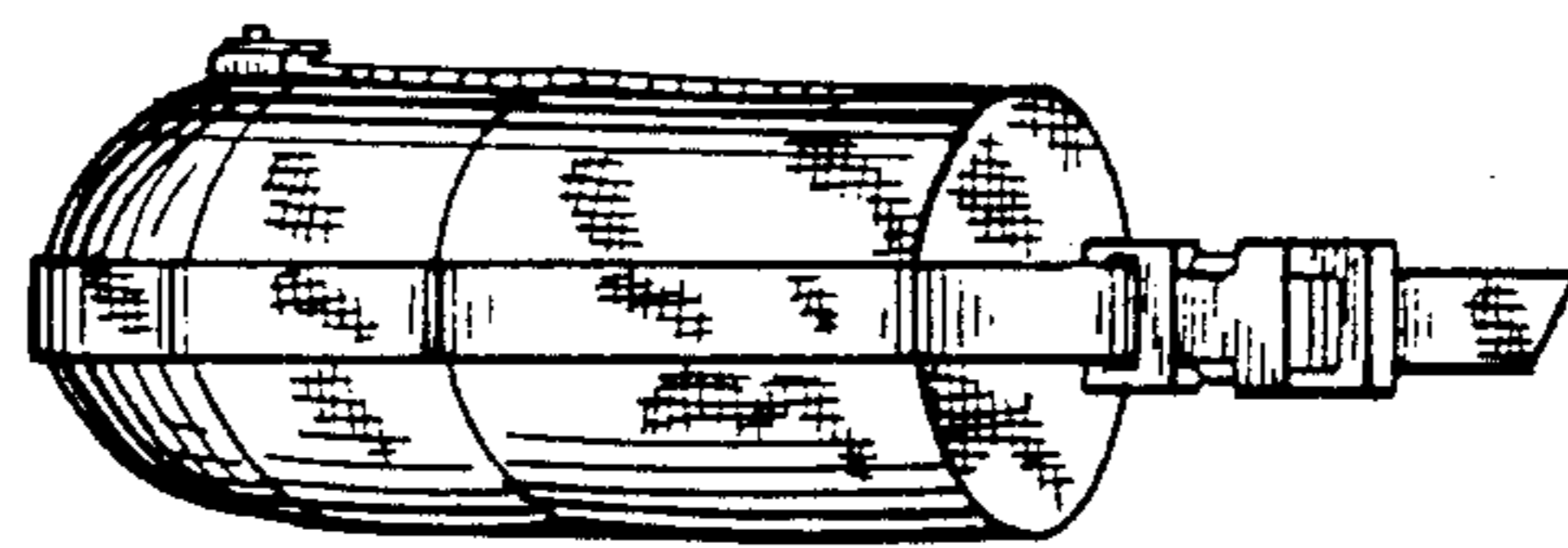
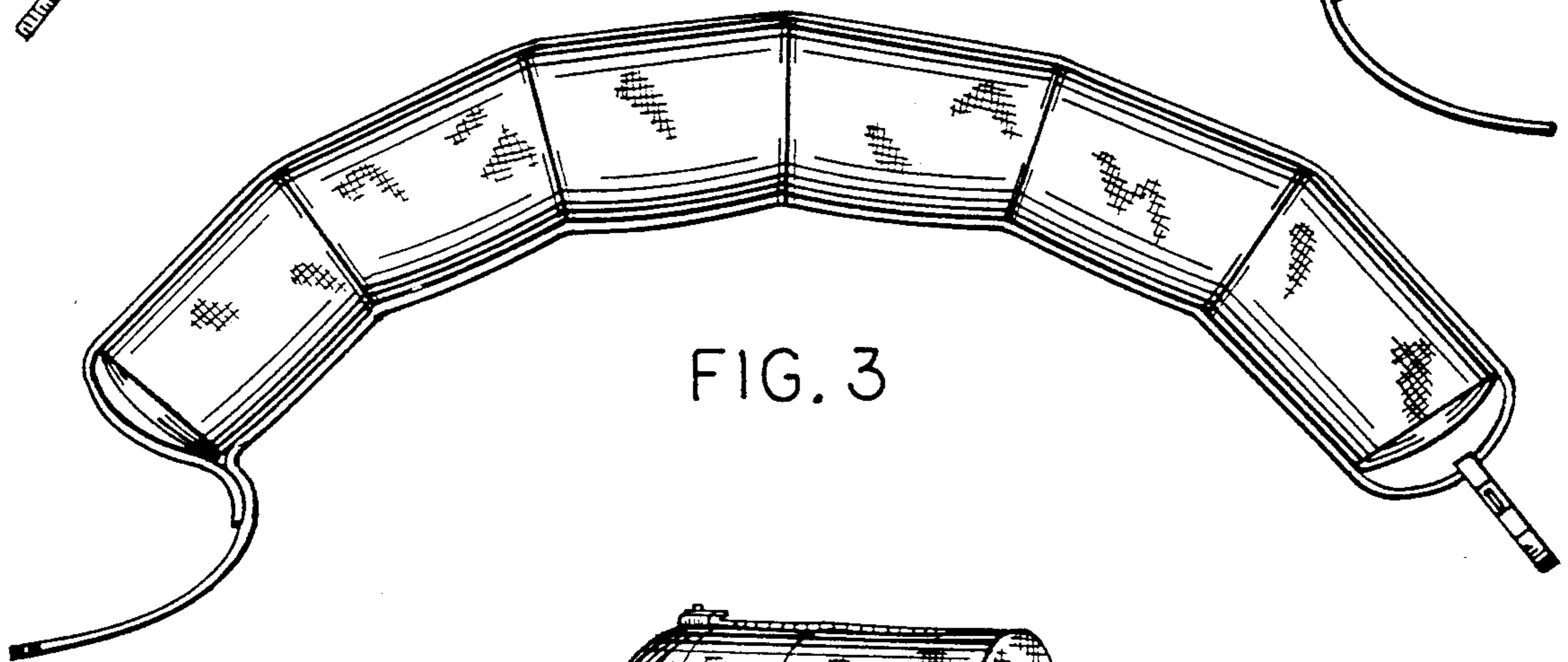
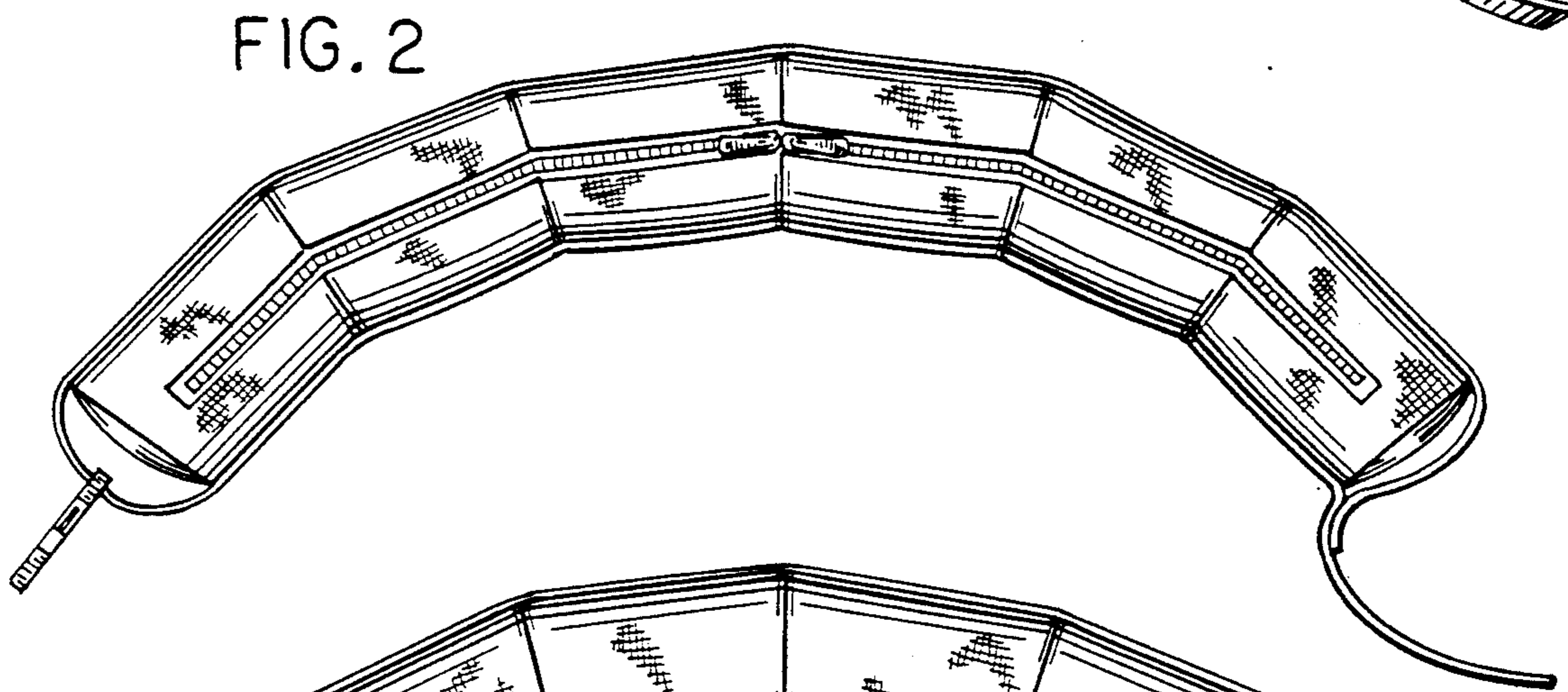
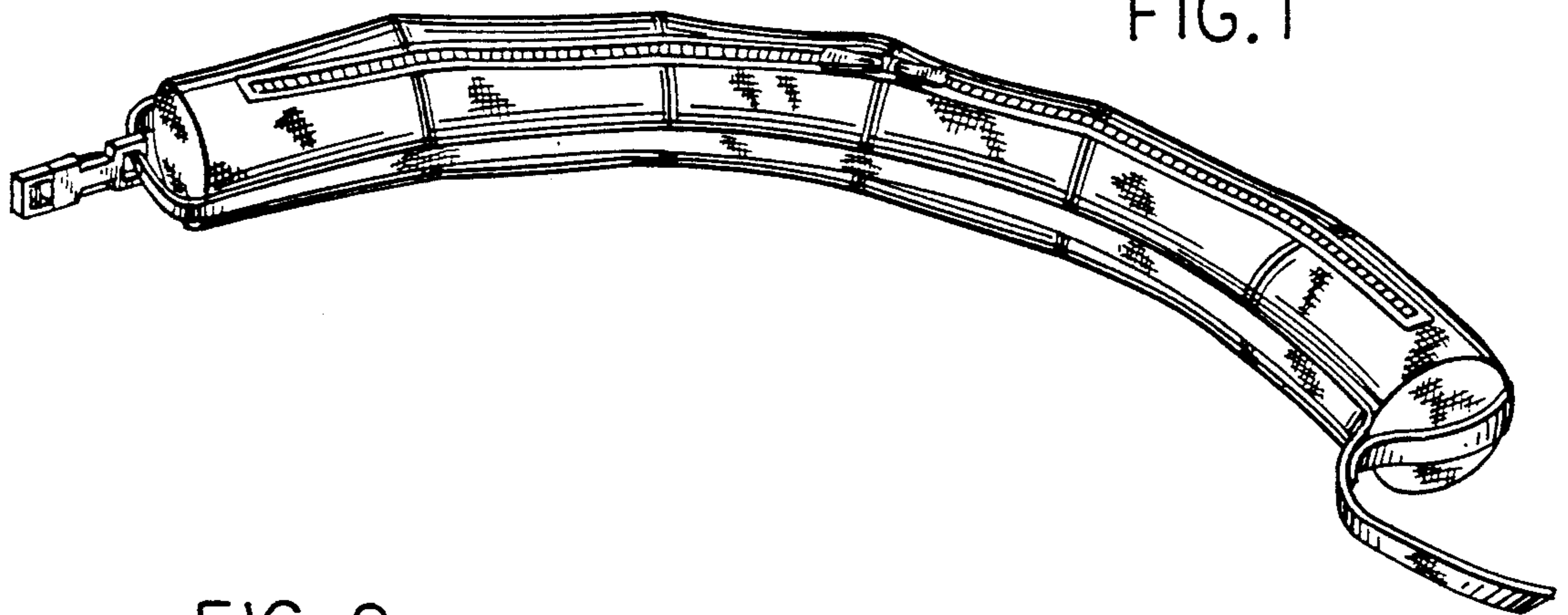


FIG. 4



FIG. 5

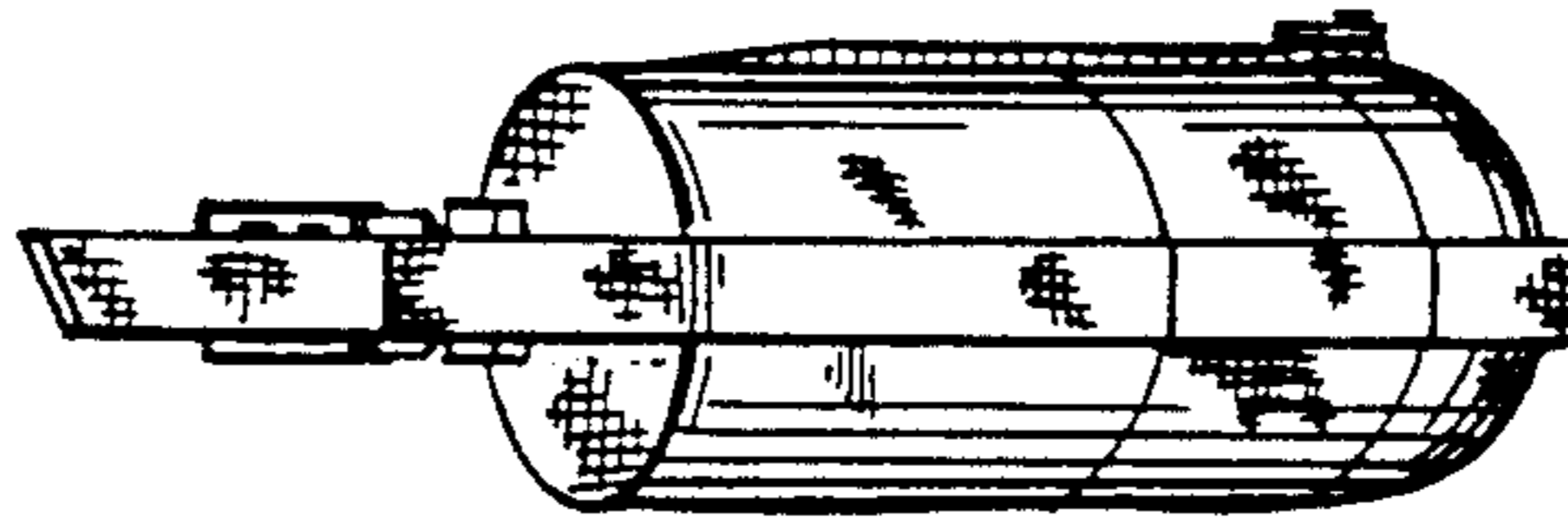


FIG. 6

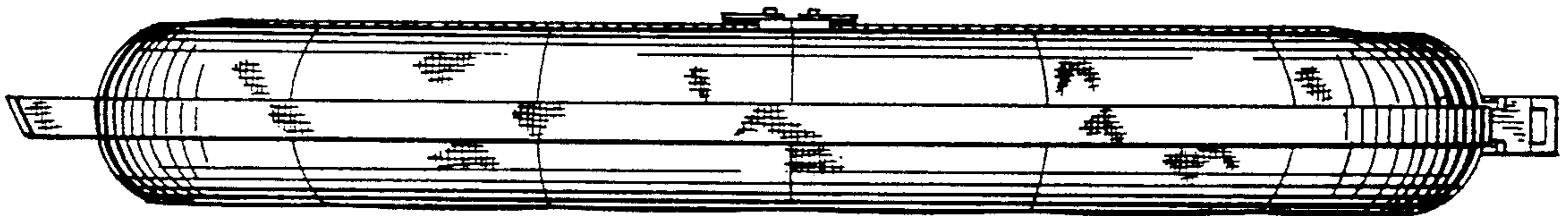
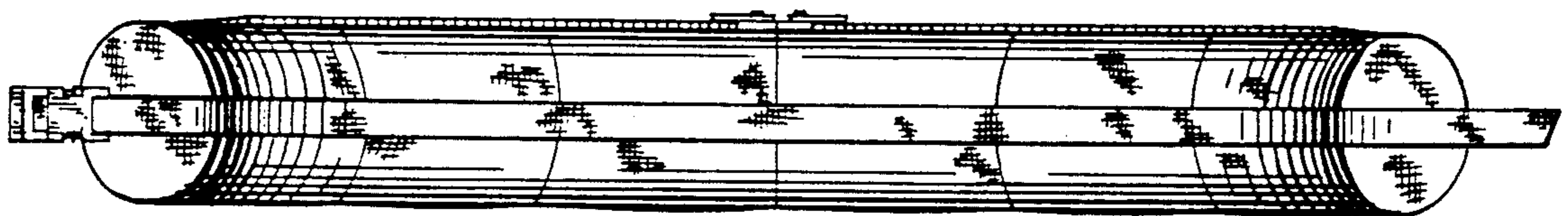


FIG. 7

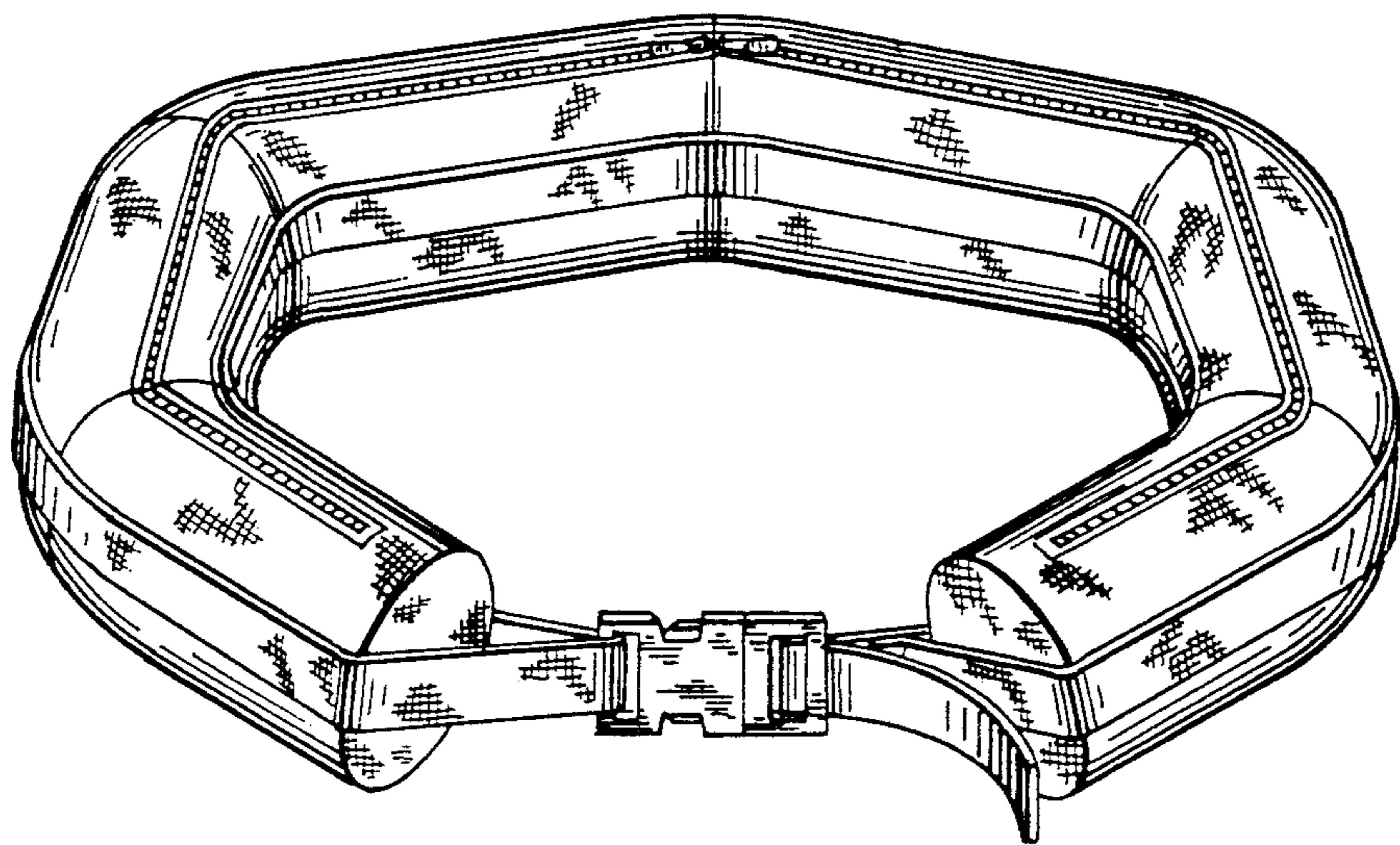


FIG. 8