



US00D340581S

United States Patent [19] Plonk

[11] Patent Number: **Des. 340,581**

[45] Date of Patent: **** Oct. 26, 1993**

[54] **BODY SUPPORTED HOLDER**

[76] Inventor: **Byron J. Plonk, 9115 Marlboro Pike,
#76, Upper Marlboro, Md. 20772**

[**] Term: **14 Years**

[21] Appl. No.: **693,417**

[22] Filed: **Apr. 30, 1991**

[52] U.S. Cl. **D3/100**

[58] Field of Search **D3/100, 106, 39, 30.1;
108/43; 248/444; 224/202, 205, 236, 270, 242,
249; D19/52, 75**

4,478,330	10/1984	Lin	206/305
4,765,583	8/1988	Tenner	248/444
4,832,191	5/1989	Gerver et al.	206/305 X
4,915,278	4/1990	Smith	224/236 X

*Primary Examiner—A. Hugo Word
Assistant Examiner—Doris V. Coles
Attorney, Agent, or Firm—Richard C. Litman*

[57] **CLAIM**

The ornamental design for a body supported holder, as shown and described.

DESCRIPTION

FIG. 1 is a top, front and side environmental perspective view of a body supported holder showing my new design, the portion of the figure shown in broken lines representing a user of the design, electronic device, and support straps for the design, and forming no part of the claimed design;

FIG. 2 is a bottom plan view thereof;

FIG. 3 is a top plan view thereof;

FIG. 4 is a rear elevational view thereof;

FIG. 5 is a front elevational view thereof;

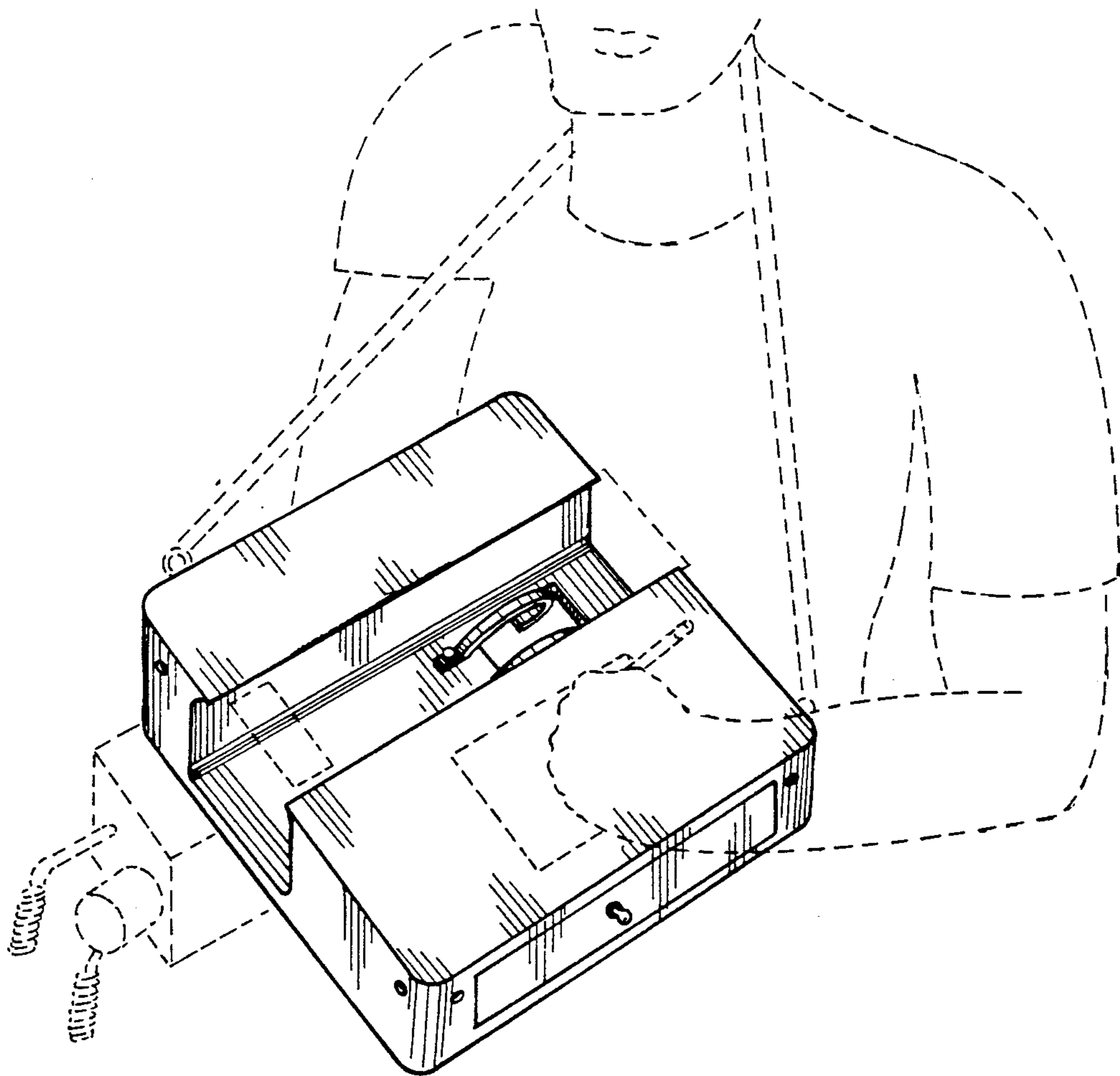
FIG. 6 is a right side elevational view thereof; and,

FIG. 7 is a left side elevational view thereof.

[56] **References Cited**

U.S. PATENT DOCUMENTS

D. 256,480	8/1980	Wright	D3/30.1 X
D. 271,027	10/1983	Tripp	D3/30.1 X
D. 296,220	6/1988	Hung	D19/88
D. 311,496	10/1990	Khavari	D10/31
2,590,732	3/1952	Simancik	224/270 X
2,597,473	5/1952	Green et al.	224/202 X
2,881,009	4/1959	Delaney	108/43
3,541,976	11/1970	Rozas	108/43
4,320,838	3/1982	Braver	206/564
4,354,601	10/1982	Harrison	206/564



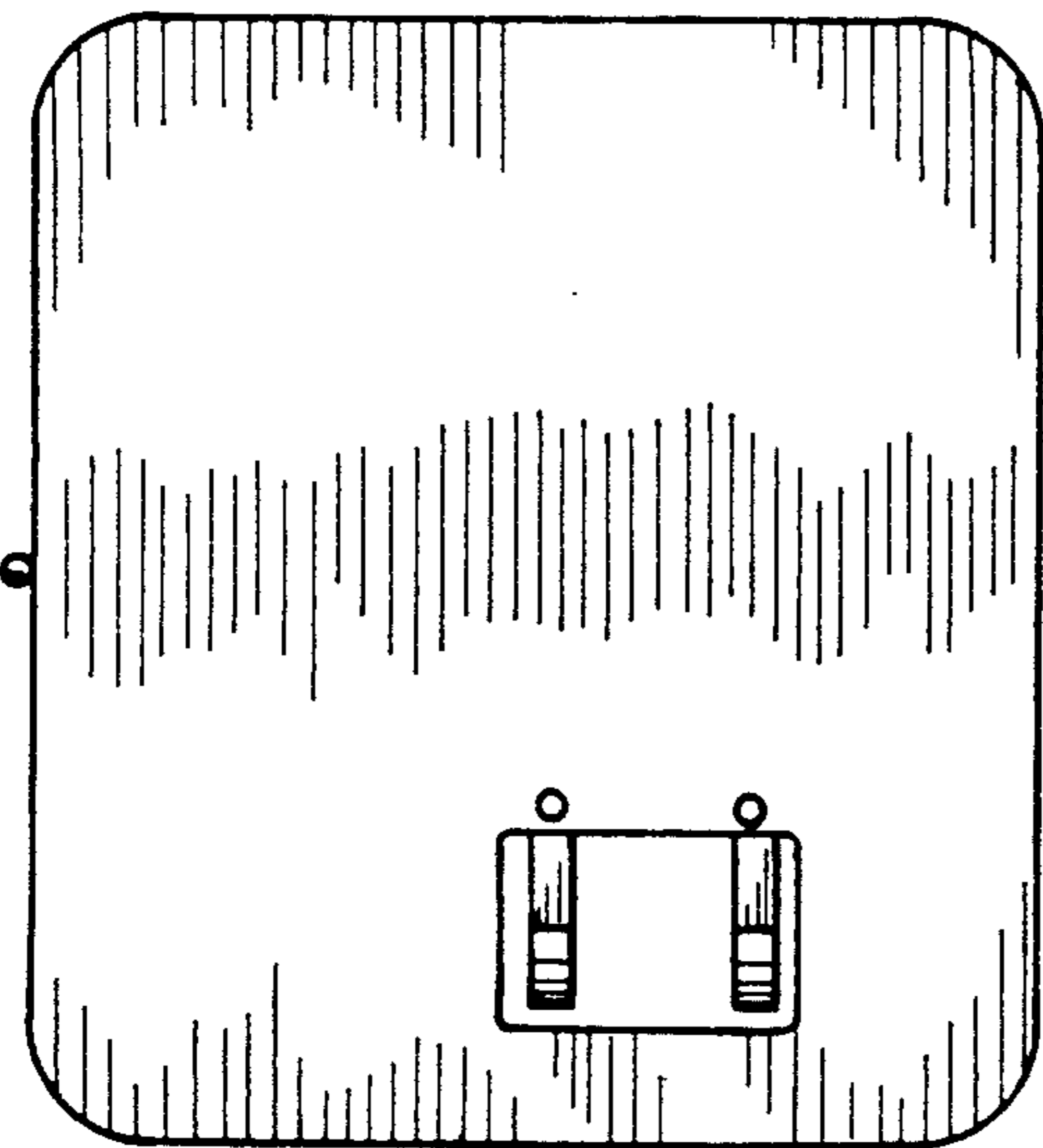
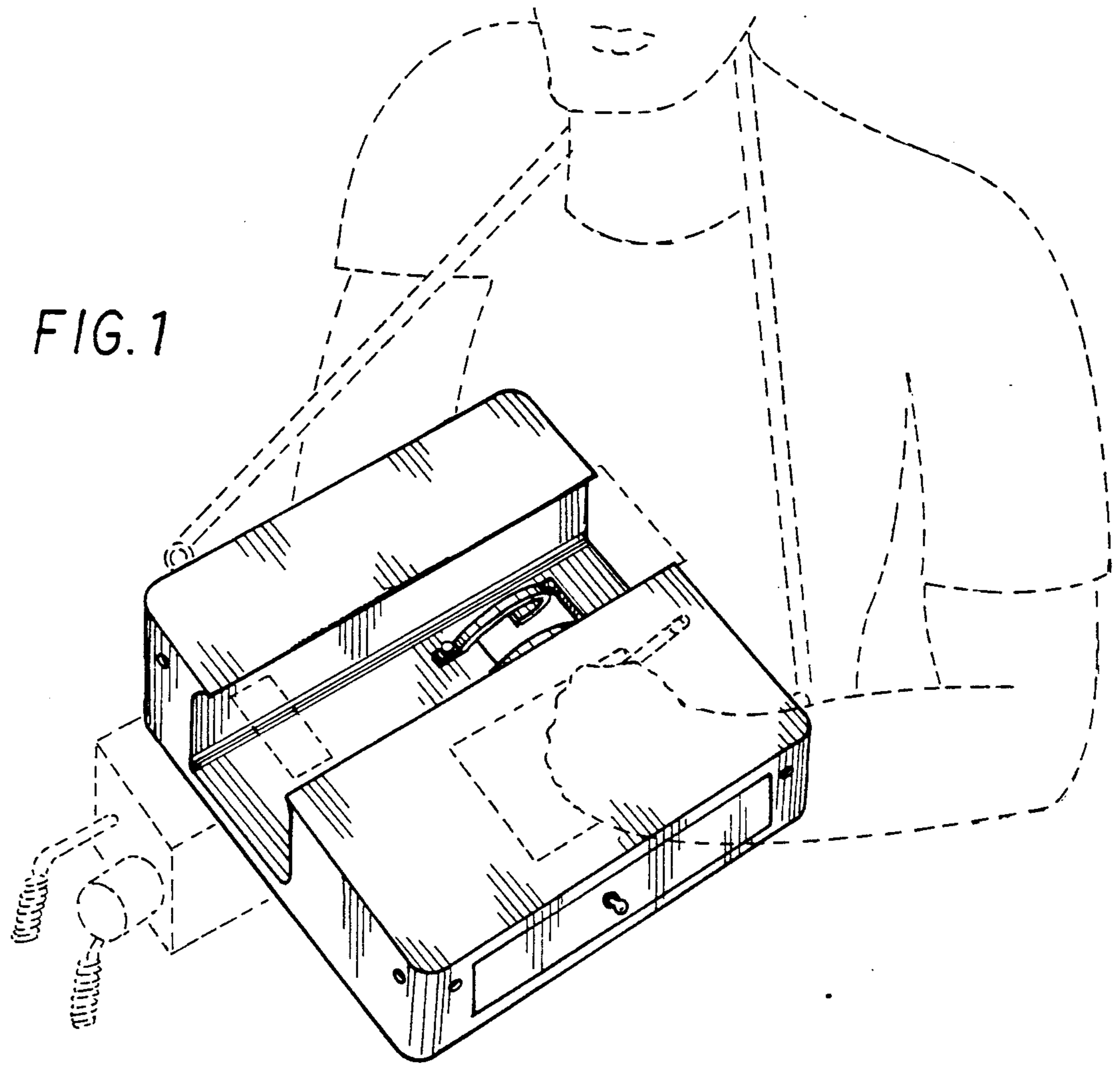


FIG. 2

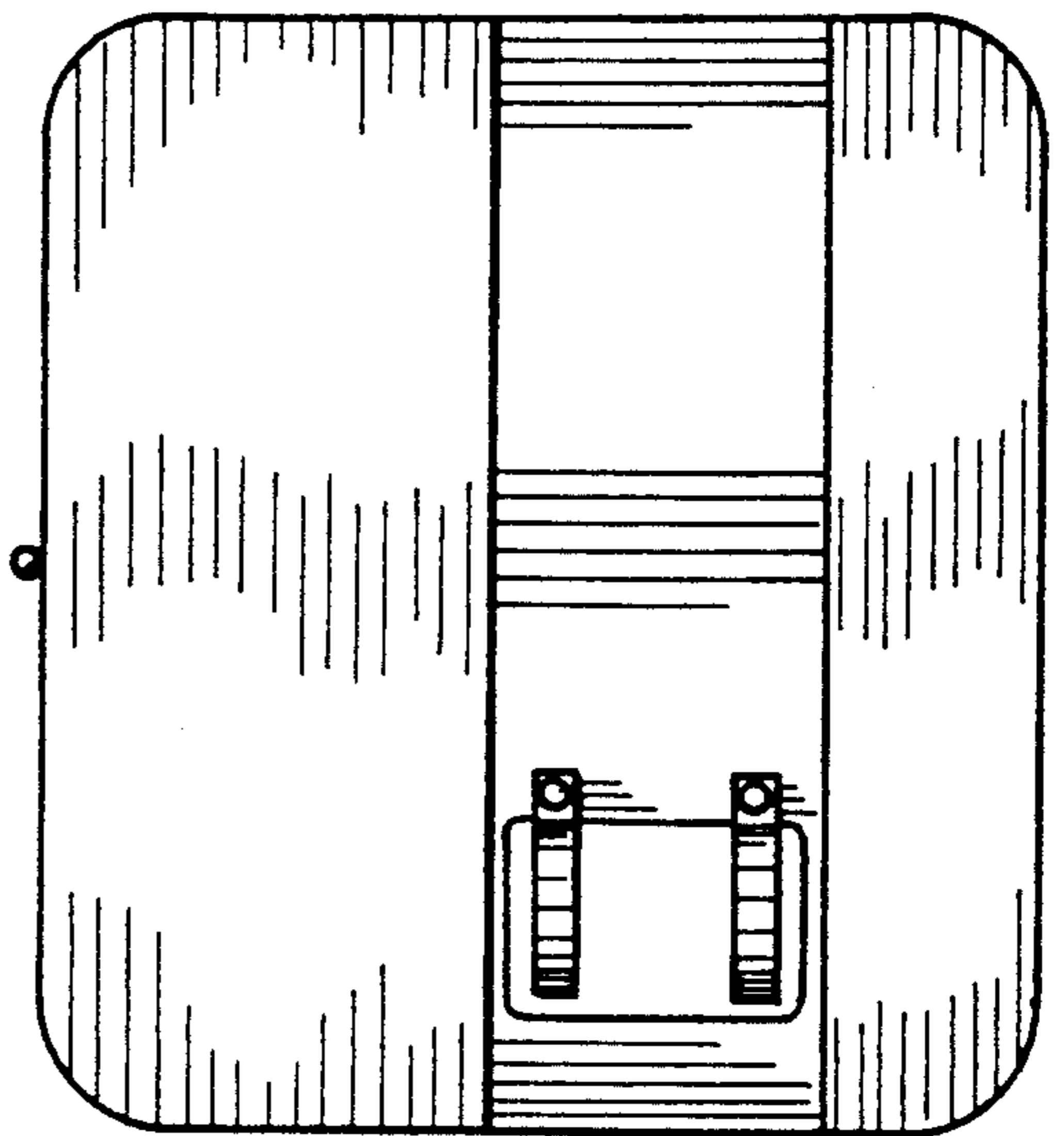


FIG. 3

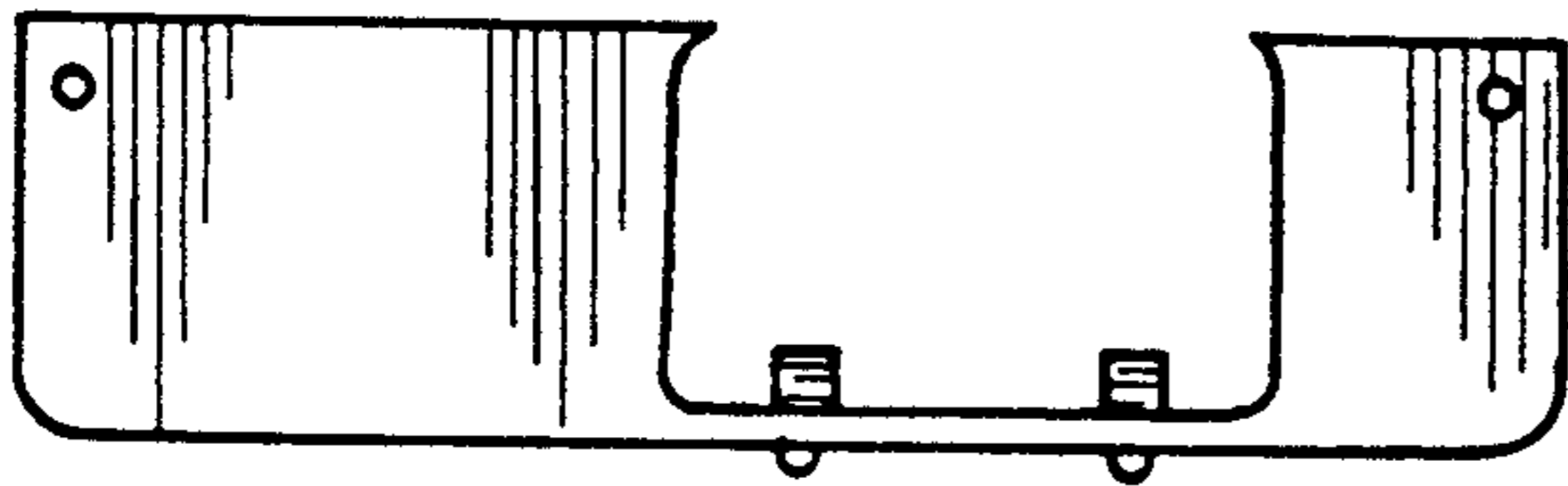


FIG. 4

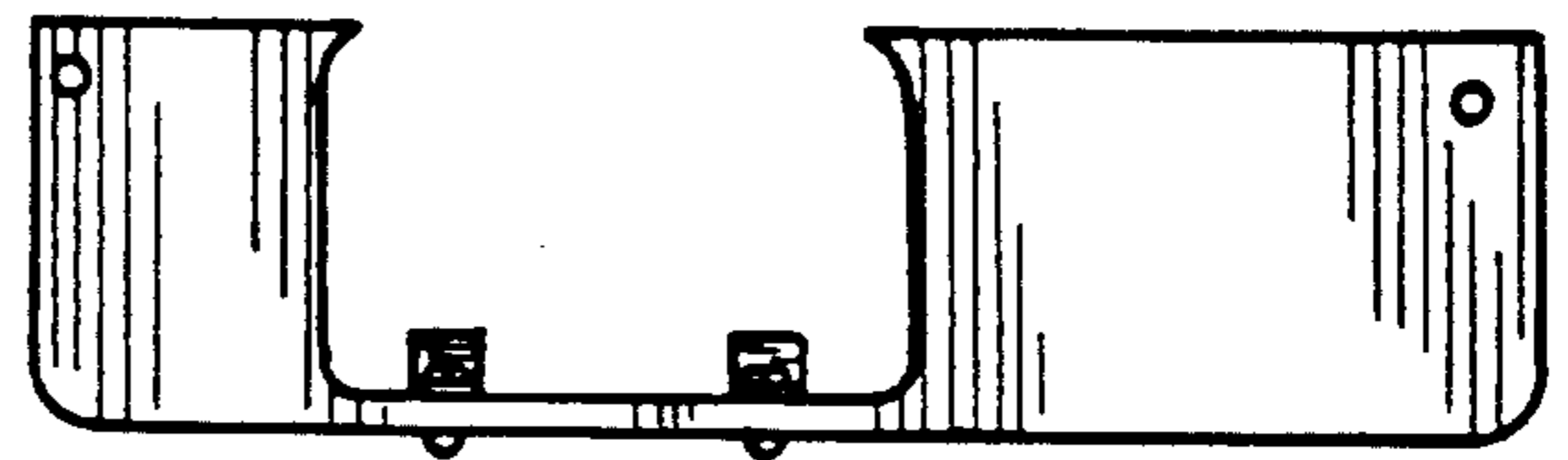


FIG. 5

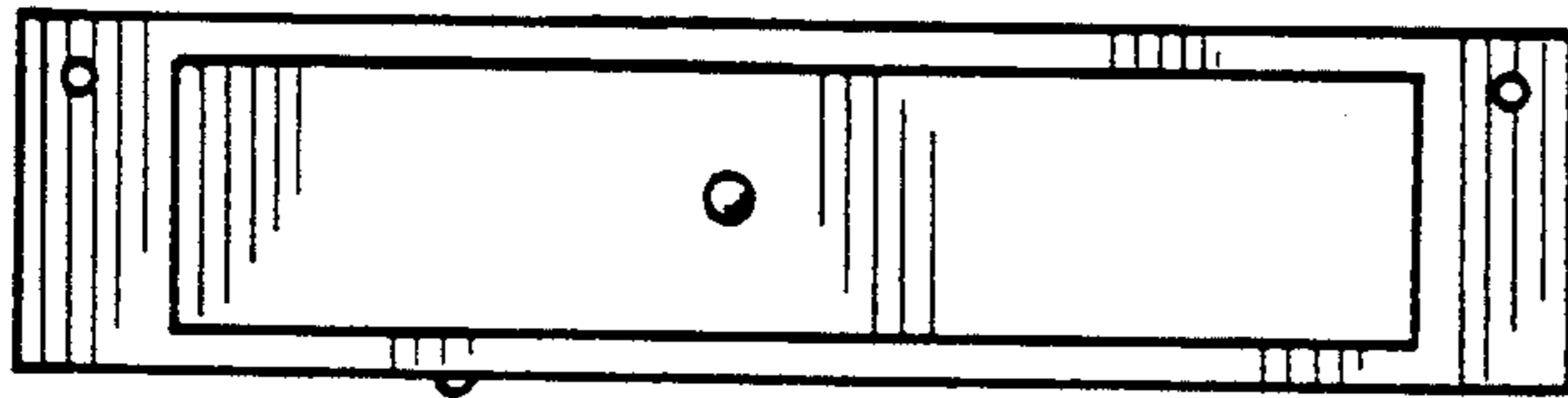


FIG. 6

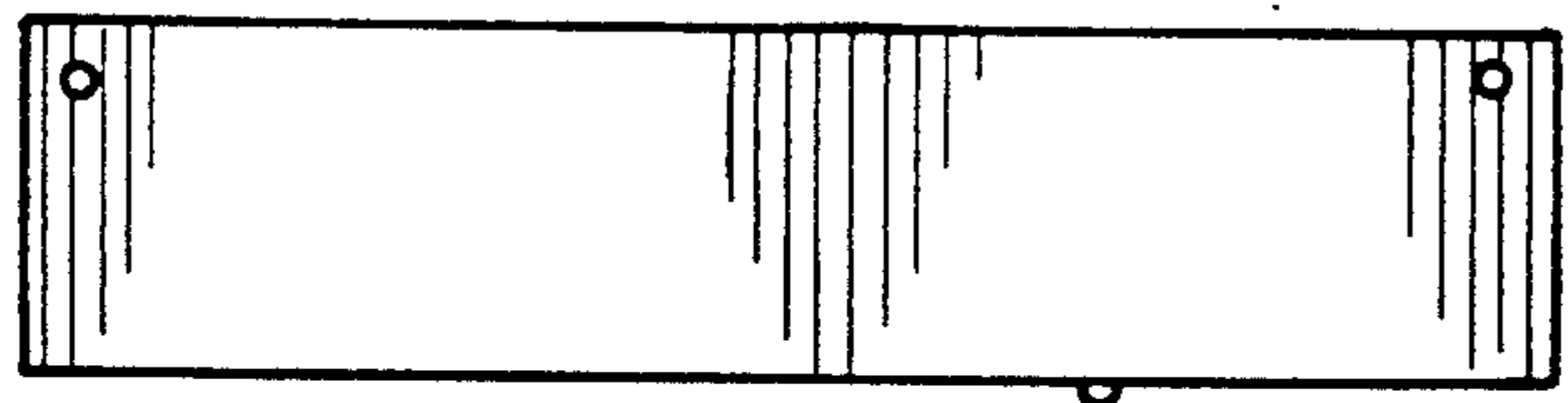


FIG. 7