



US00D340580S

United States Patent [19] Hirschy

[11] Patent Number: **Des. 340,580**

[45] Date of Patent: **** Oct. 26, 1993**

[54] **BRIEFCASE COVER**

4,953,603 9/1990 Holden 150/154
4,954,384 9/1990 Hartwell 150/154 X

[76] Inventor: **Kevin L. Hirschy**, 1403 Glenwillow Dr., Arlington, Tex. 76018

[**] Term: **14 Years**

[21] Appl. No.: **663,692**

[22] Filed: **Mar. 4, 1991**

[52] U.S. Cl. **D3/76; D6/610**

[58] Field of Search **D3/99, 76, 30.1, 77, D3/41, 71, 74; 150/154, 158, 165, 901; 190/26, 18 R, 100, 114, 119, 125, 900; 206/278, 278.1; D6/610**

OTHER PUBLICATIONS

Hong Kong Enterprise Sep. 1985 pp. 302, 403 bottom right Bonnet & Cape Mfg. and #93894.

Primary Examiner—B. J. Bullock
Assistant Examiner—Paula Mortimer
Attorney, Agent, or Firm—Jones, Day, Reavis & Pogue

[57] CLAIM

The ornamental design for a briefcase cover, as shown and described.

[56] References Cited

U.S. PATENT DOCUMENTS

D. 272,868	3/1984	Jaffee .	
D. 316,483	4/1991	Haack	D3/76
2,432,365	12/1947	Allen .	
2,467,471	4/1949	Goldstein .	
2,487,596	11/1949	Sackstein .	
2,532,154	6/1948	Duskin .	
2,647,595	8/1953	Meyers .	
2,693,259	11/1954	Amick	190/26
2,711,234	6/1955	Rubens .	
3,349,992	10/1967	Skinner	150/154
3,579,647	2/1969	Nielson	150/901 X
3,901,360	8/1975	Cook	190/26
4,932,524	6/1990	Hodson	150/165 X

DESCRIPTION

FIG. 1 is a front perspective view of a briefcase cover showing my new design;
FIG. 2 is a front perspective view of a briefcase cover in a folded position;
FIG. 3 is a front elevational view thereof;
FIG. 4 is a rear elevational view thereof;
FIG. 5 is a top plan view thereof;
FIG. 6 is an end elevational view thereof;
FIG. 7 is an opposite end elevational view thereof; and,
FIG. 8 is a bottom plan view thereof.
The broken line showing of the handle in FIG. 1 is for illustrative purposes only and forms no part of the claimed design.

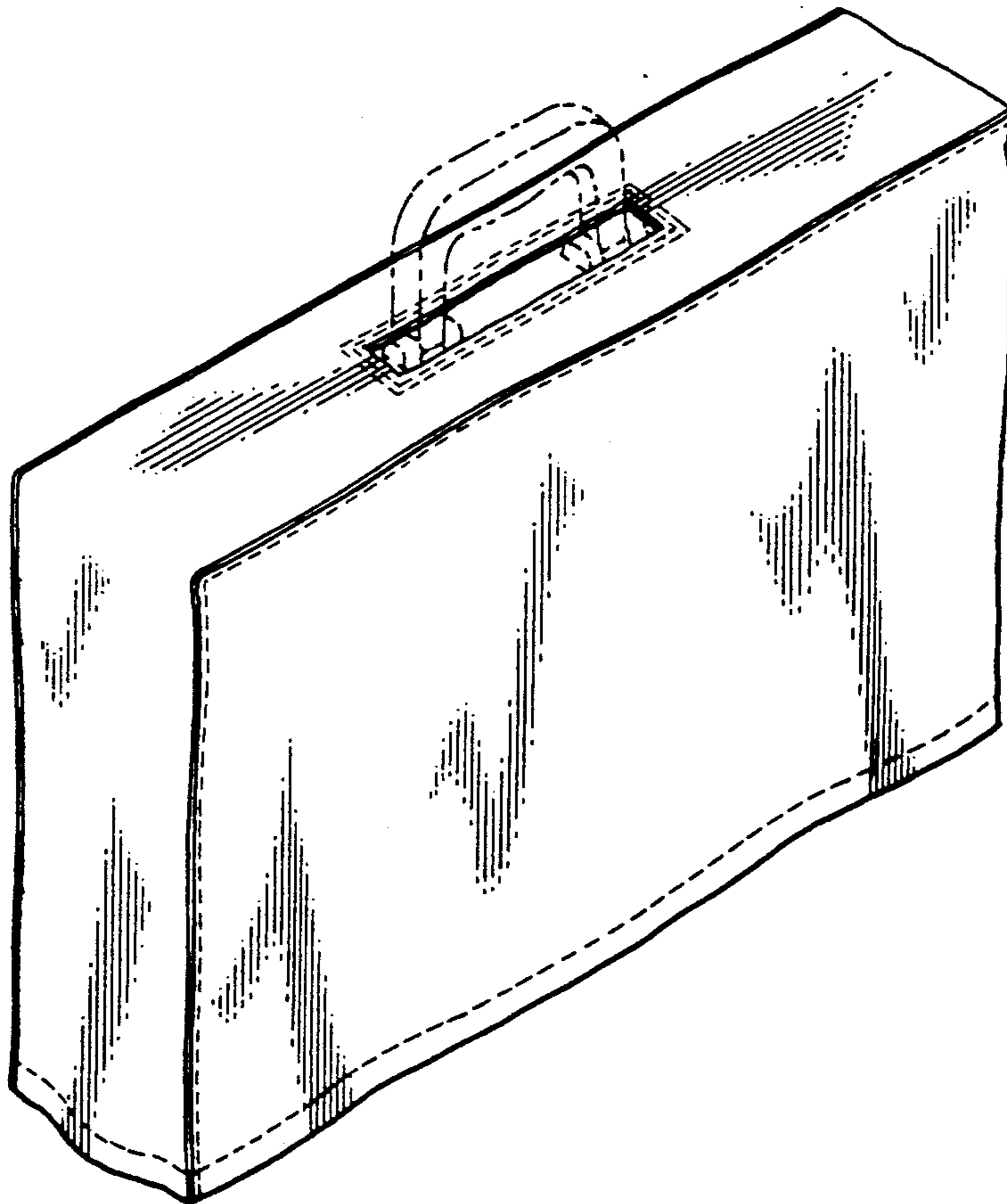


FIG. 2

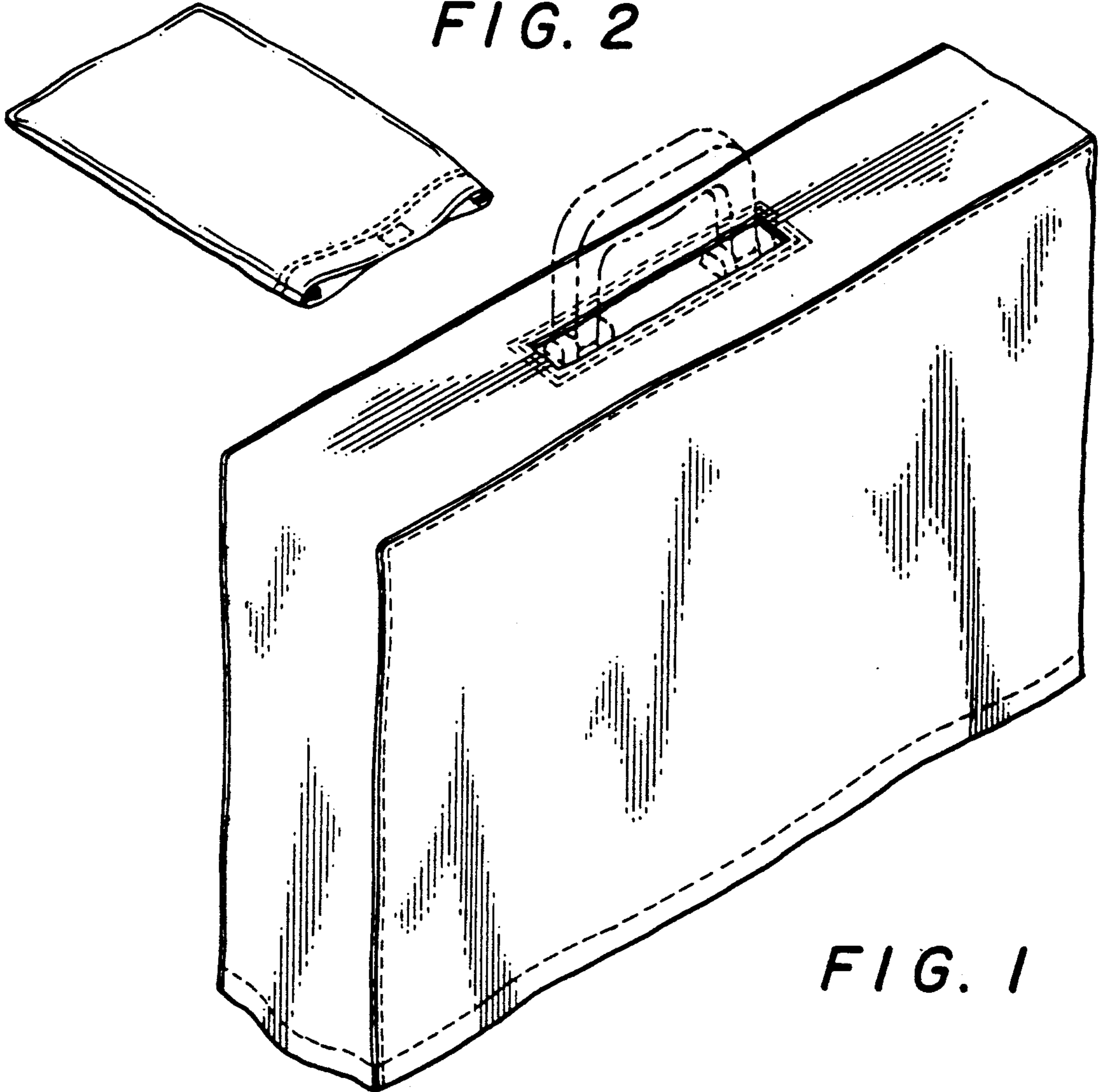


FIG. 1

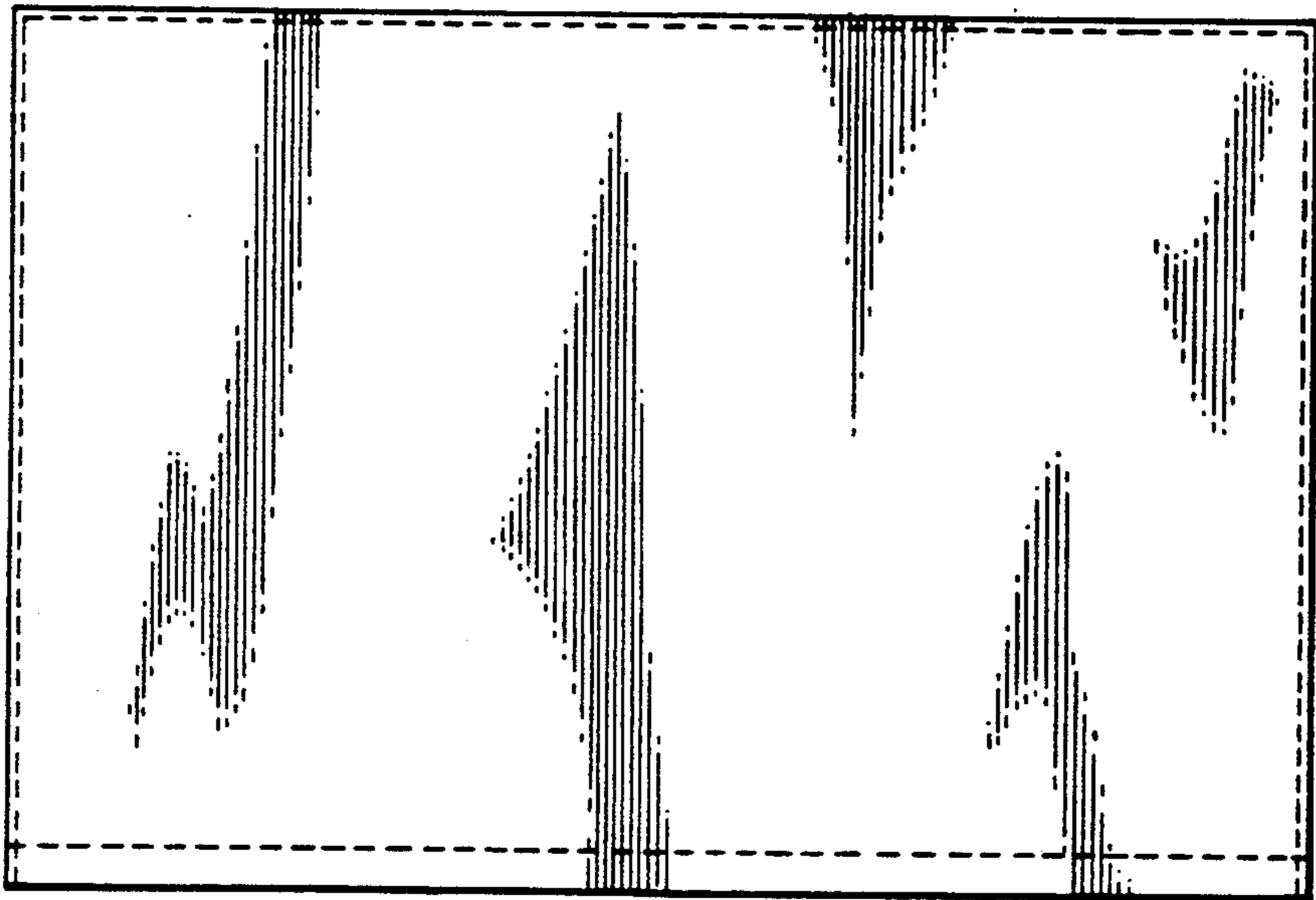


FIG. 3

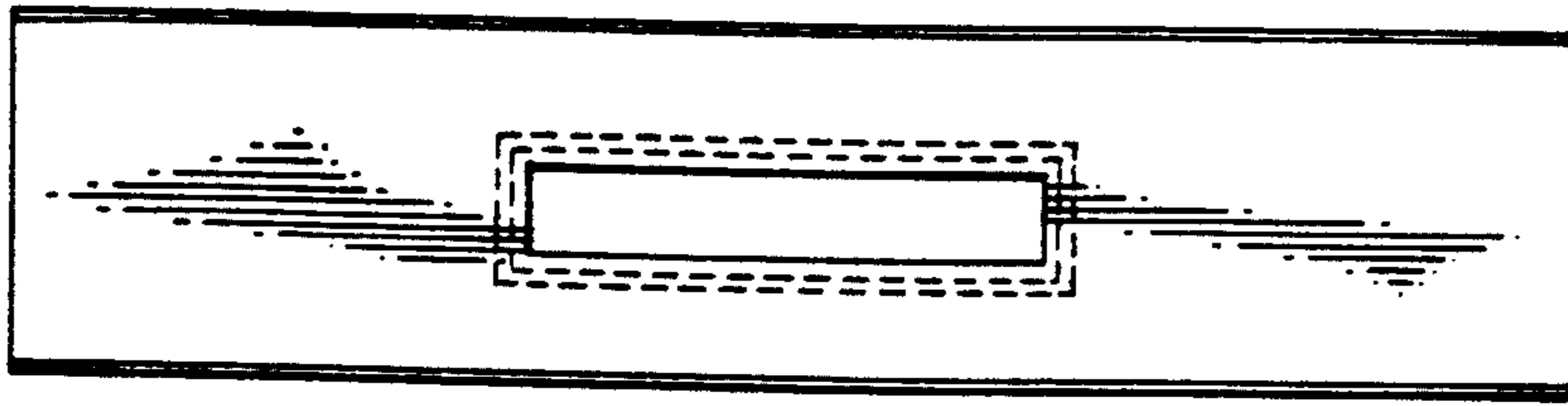


FIG. 5

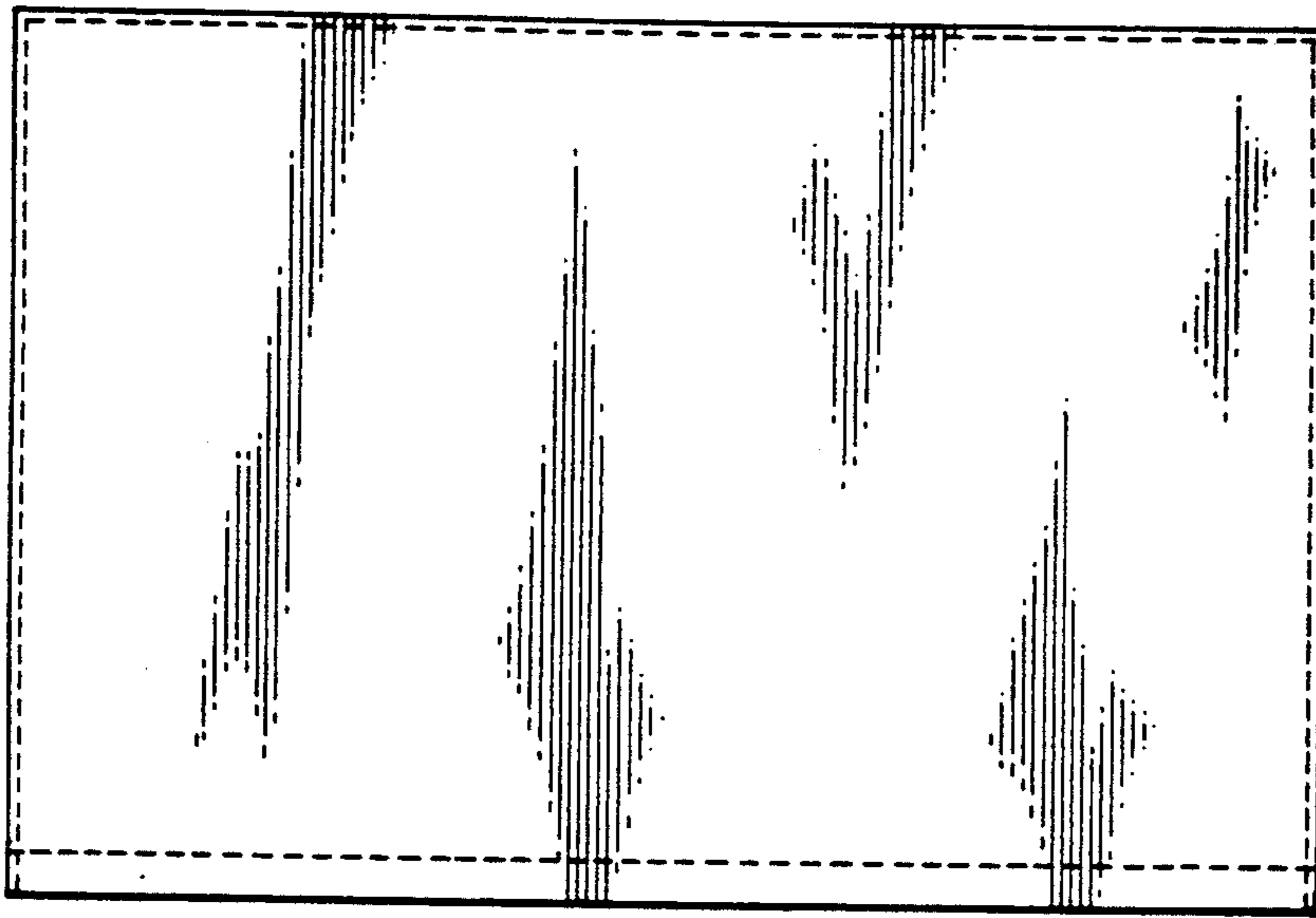


FIG. 4



FIG. 6

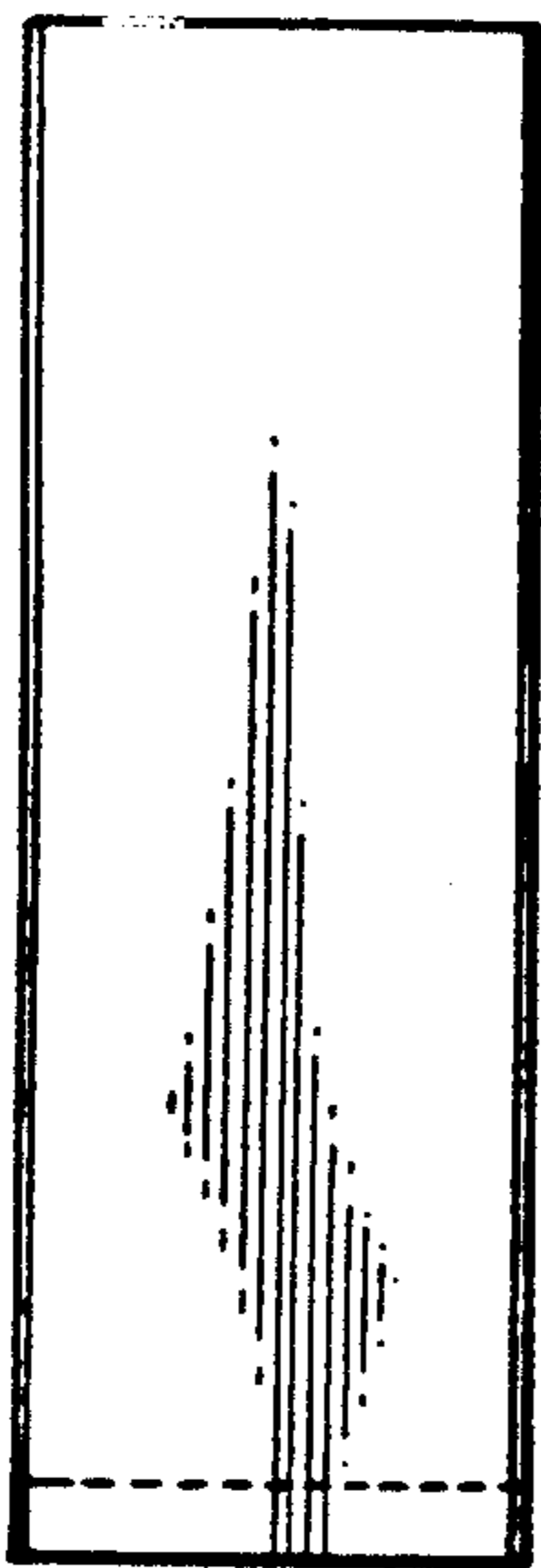


FIG. 7

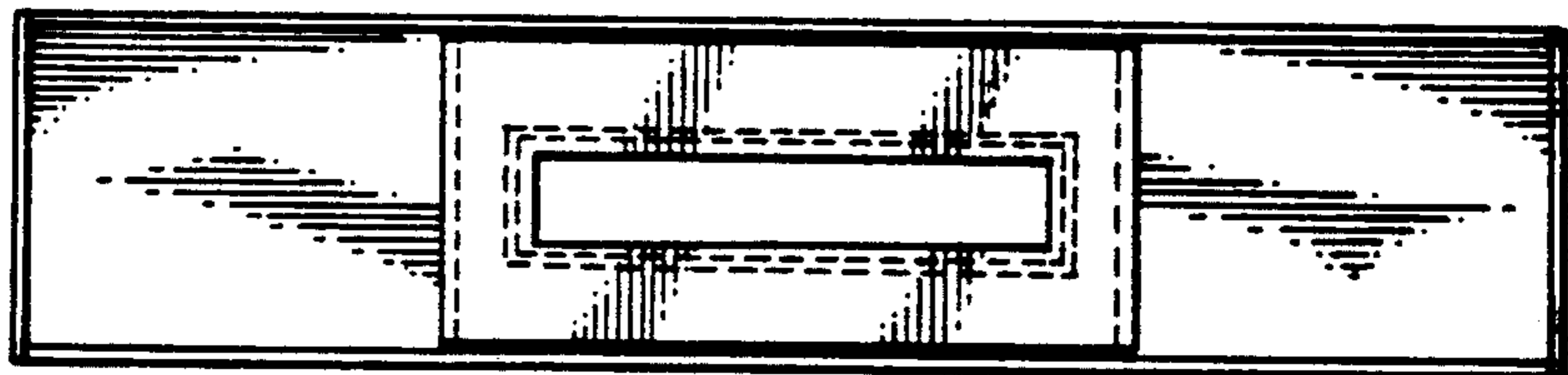


FIG. 8