



US00D340574S

United States Patent [19]

[11] Patent Number: Des. 340,574

Weinreb

[45] Date of Patent: ** Oct. 26, 1993

[54] ACCESSORY BAG FOR A CAMERA AND LENS

[76] Inventor: Robert Weinreb, 510 Broadway, New York, N.Y. 10012

[**] Term: 14 Years

[21] Appl. No.: 775,236

[22] Filed: Oct. 10, 1991

[52] U.S. Cl. D3/33; D3/42; D3/100

[58] Field of Search D3/30.1, 33, 34, 42, D3/74, 76, 73, 100; D16/204, 208, 235, 133, 136; 150/107; 190/901, 902; 206/316.1, 316.2, 316.3, 5, 5.1, 6; 224/908, 909, 153

[56] References Cited

U.S. PATENT DOCUMENTS

D. 229,097	11/1973	Kroger	D3/74
D. 276,953	1/1985	Weinreb	D3/33
D. 280,780	10/1985	Thomas	D3/35
D. 312,530	12/1990	Gallen	D3/33
1,425,491	8/1922	Klomers	190/902
2,181,806	11/1939	Fulton	150/107
2,268,450	12/1941	Haggett	206/316.2
3,587,699	12/1968	Kovach	206/316.2
3,802,613	4/1974	Droeger	224/153
4,008,790	2/1977	Eiteljorg	D3/33

Primary Examiner—A. Hugo Word
Assistant Examiner—Celia Murphy
Attorney, Agent, or Firm—Rosenman & Colin

[57] CLAIM

The ornamental design for camera, lens and accessory bag, as shown and described.

DESCRIPTION

FIG. 1 is a front perspective view of an accessory bag for a camera and lens showing my new design;
 FIG. 2 is a front view of the preferred embodiment of the camera, lens and accessory bag design of the invention;
 FIG. 3 is a top view of the preferred embodiment of the camera, lens and accessory bag design of the invention;
 FIG. 4 is a right side view of the preferred embodiment of the camera, lens and accessory bag design of the invention;
 FIG. 5 is a left side view of the preferred embodiment of the camera, lens and accessory bag design of the invention;
 FIG. 6 is a back side view of the preferred embodiment of the camera, lens and accessory bag design of the invention;
 FIG. 7 is a bottom view of the preferred embodiment of the camera, lens and accessory bag design of the invention;
 FIG. 8 is a front perspective view of a modified embodiment of the design shown in FIG. 1;
 FIG. 9 is a front view of a modified embodiment of the camera, lens and accessory bag design of the invention;
 FIG. 10 is a top view of a modified embodiment of the camera, lens and accessory bag design of the invention;
 FIG. 11 is a left side view of a modified embodiment of an accessory bag for a camera and lens;
 FIG. 12 is a right side view of a modified embodiment of an accessory bag for a camera and lens;
 FIG. 13 is a back side view of a modified embodiment of the camera, lens and accessory bag design of the invention; and,
 FIG. 14 is a bottom view of a modified embodiment of the camera, lens and accessory bag design of the invention.
 The broken lines shown throughout the views are understood to represent conventional stitching.



Fig. 1.



Fig. 2.

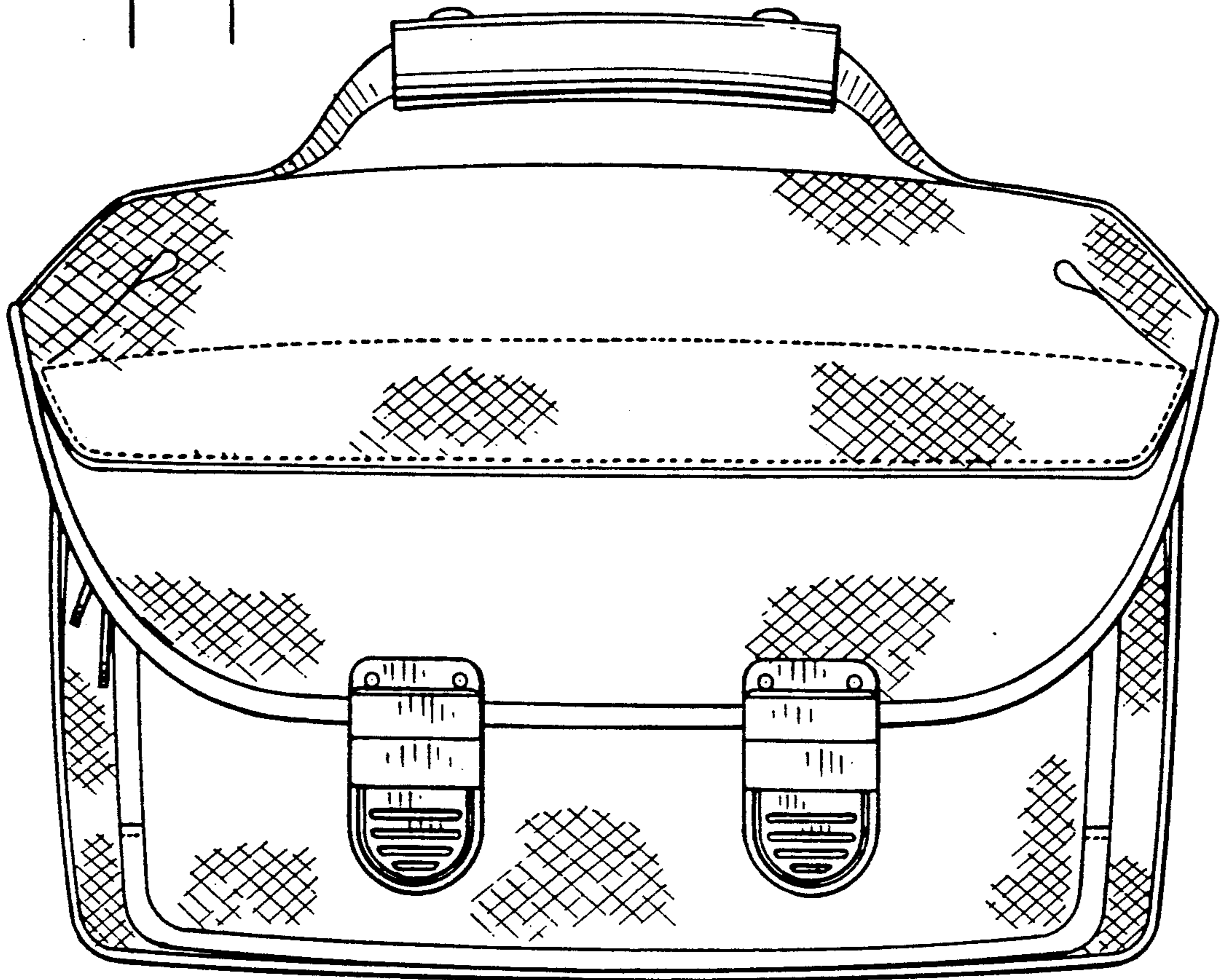


Fig. 3.

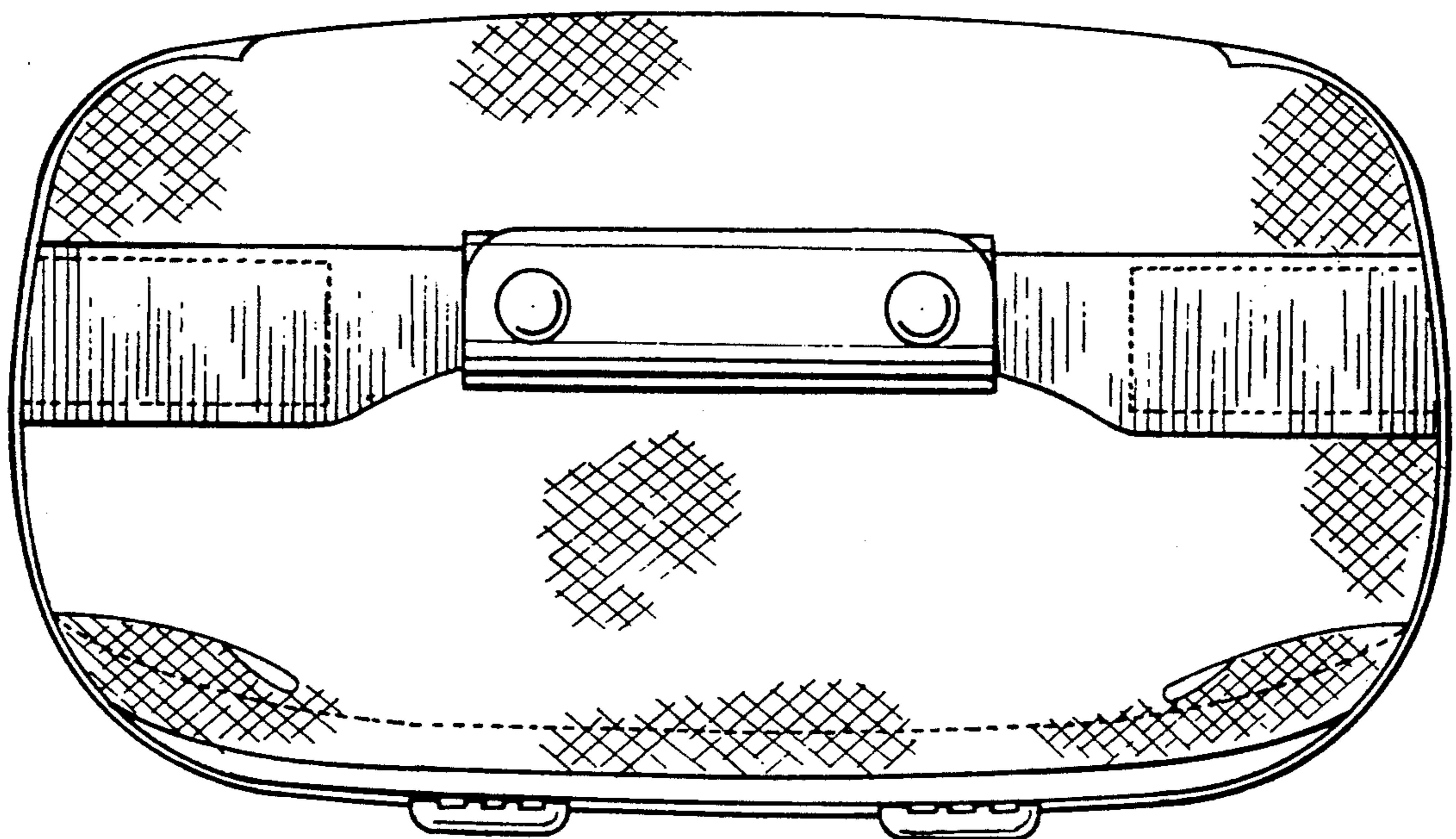


Fig. 3.

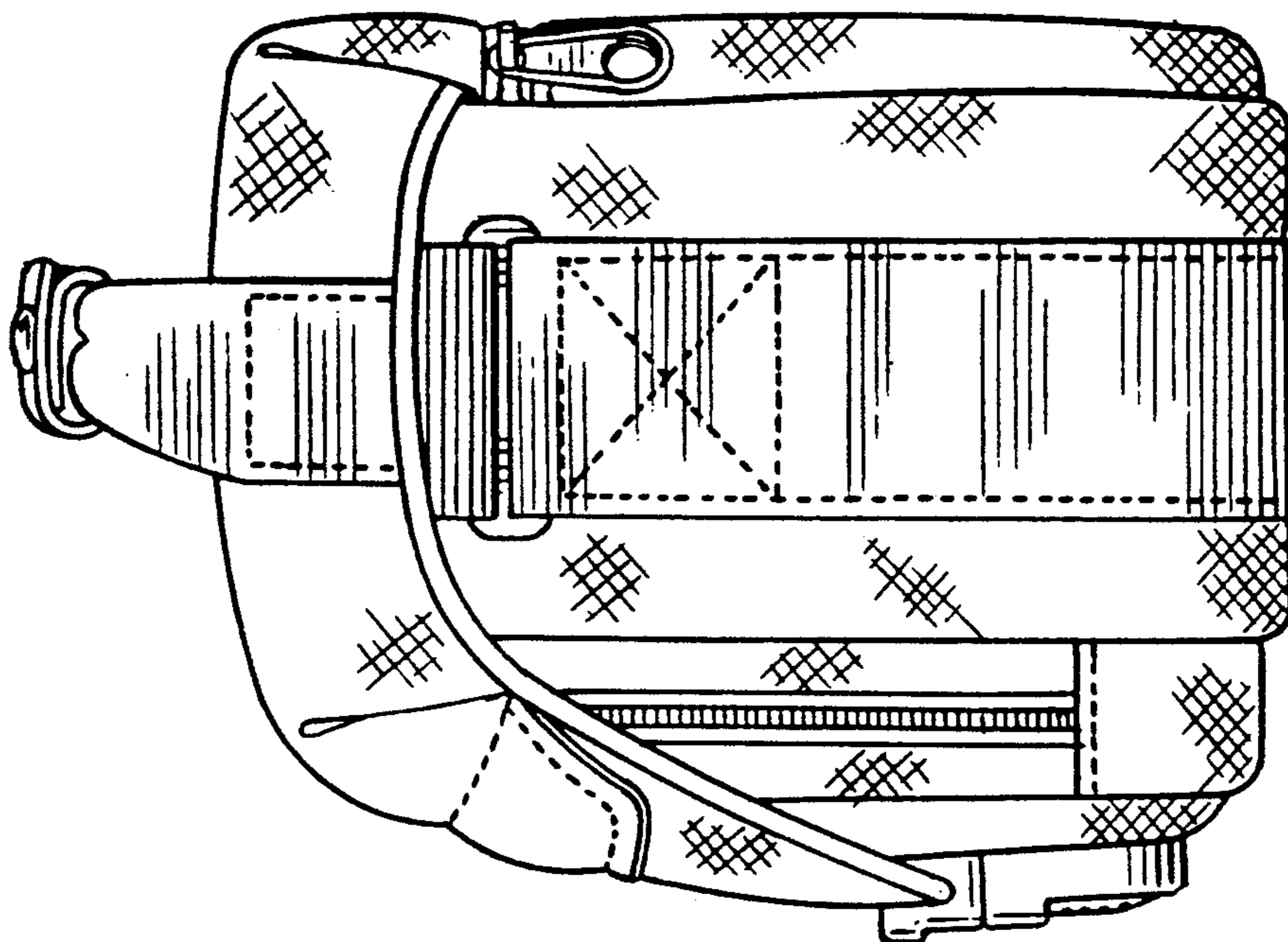


Fig. 4.

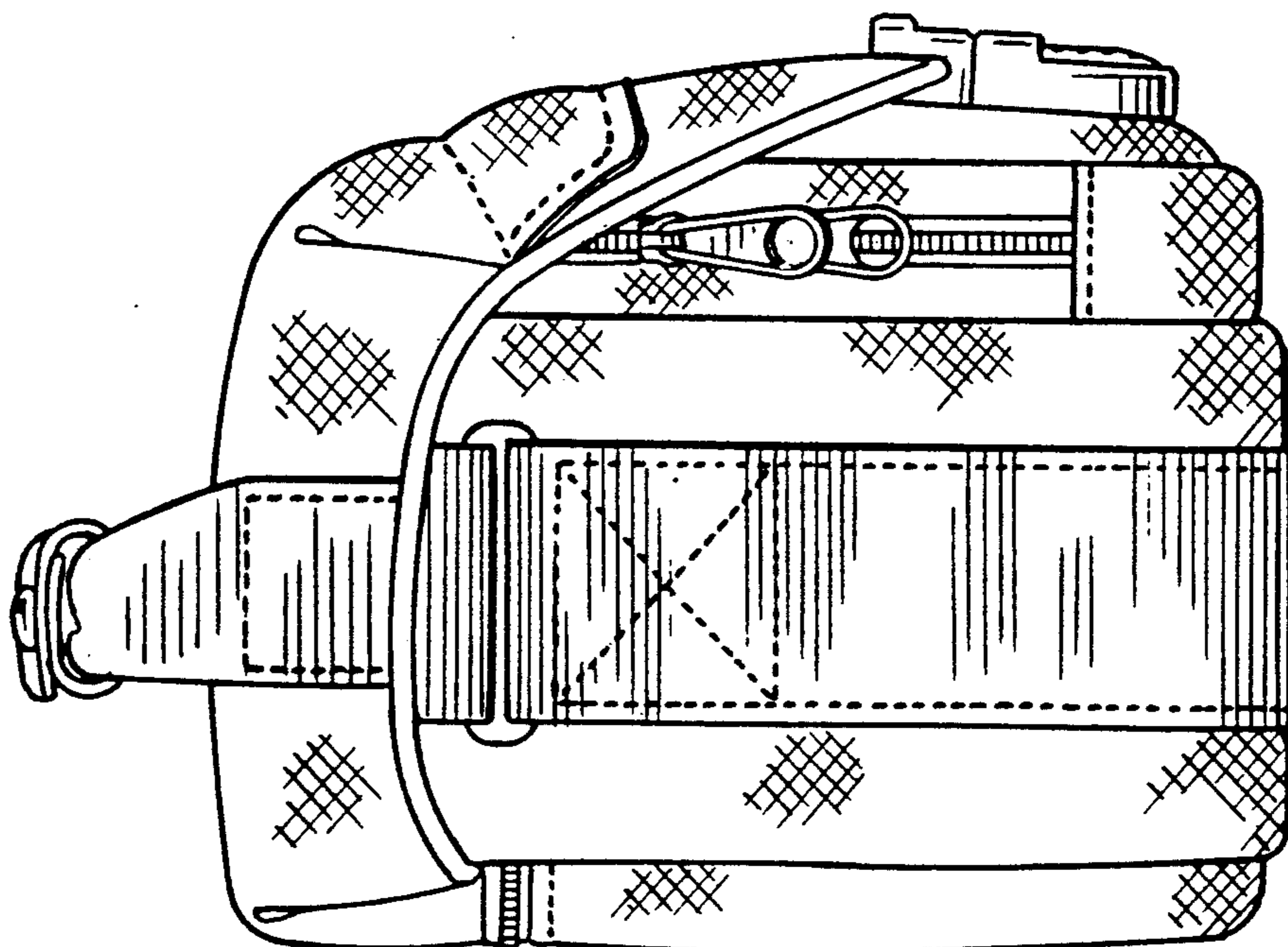


Fig. 6.

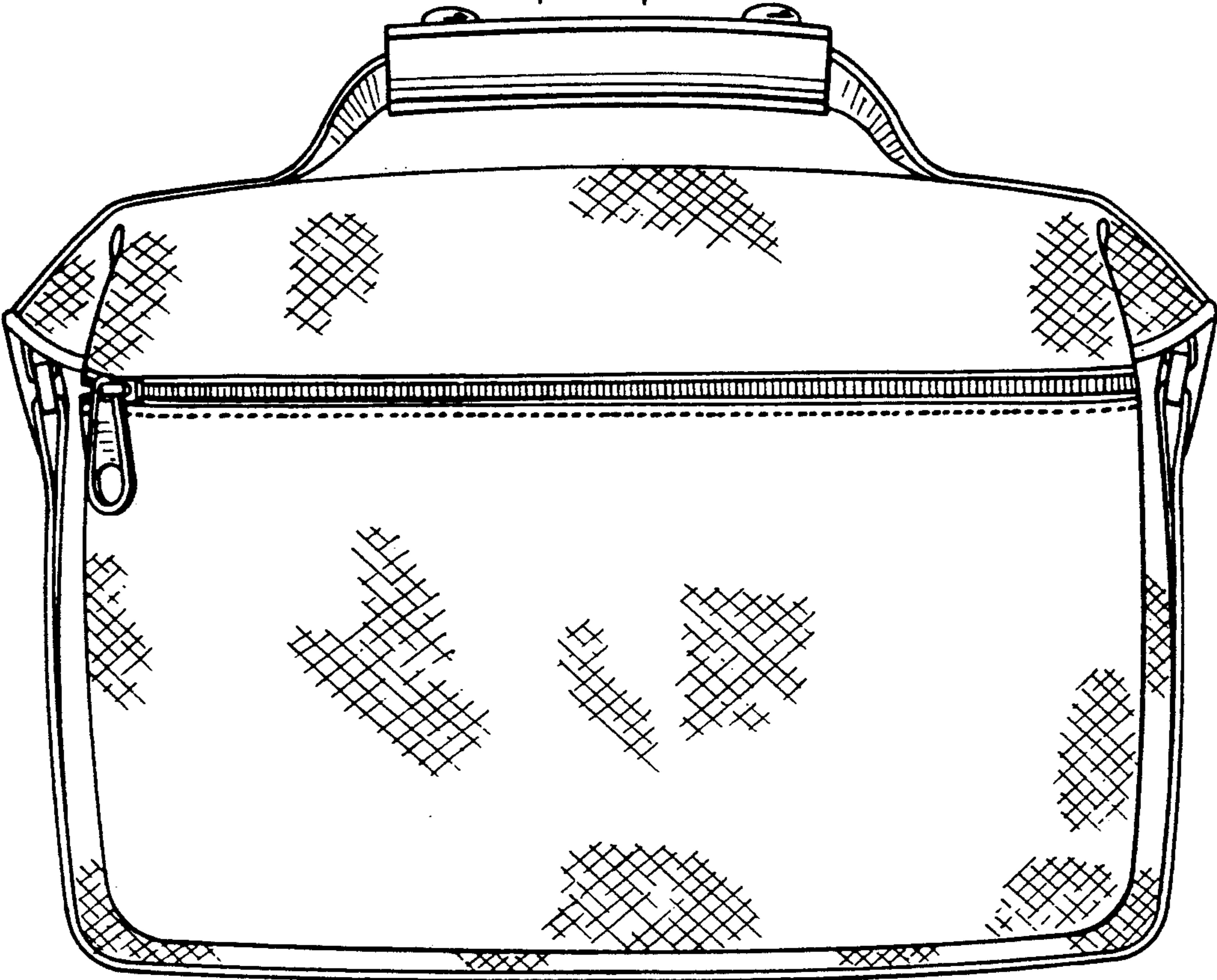


Fig. 7.

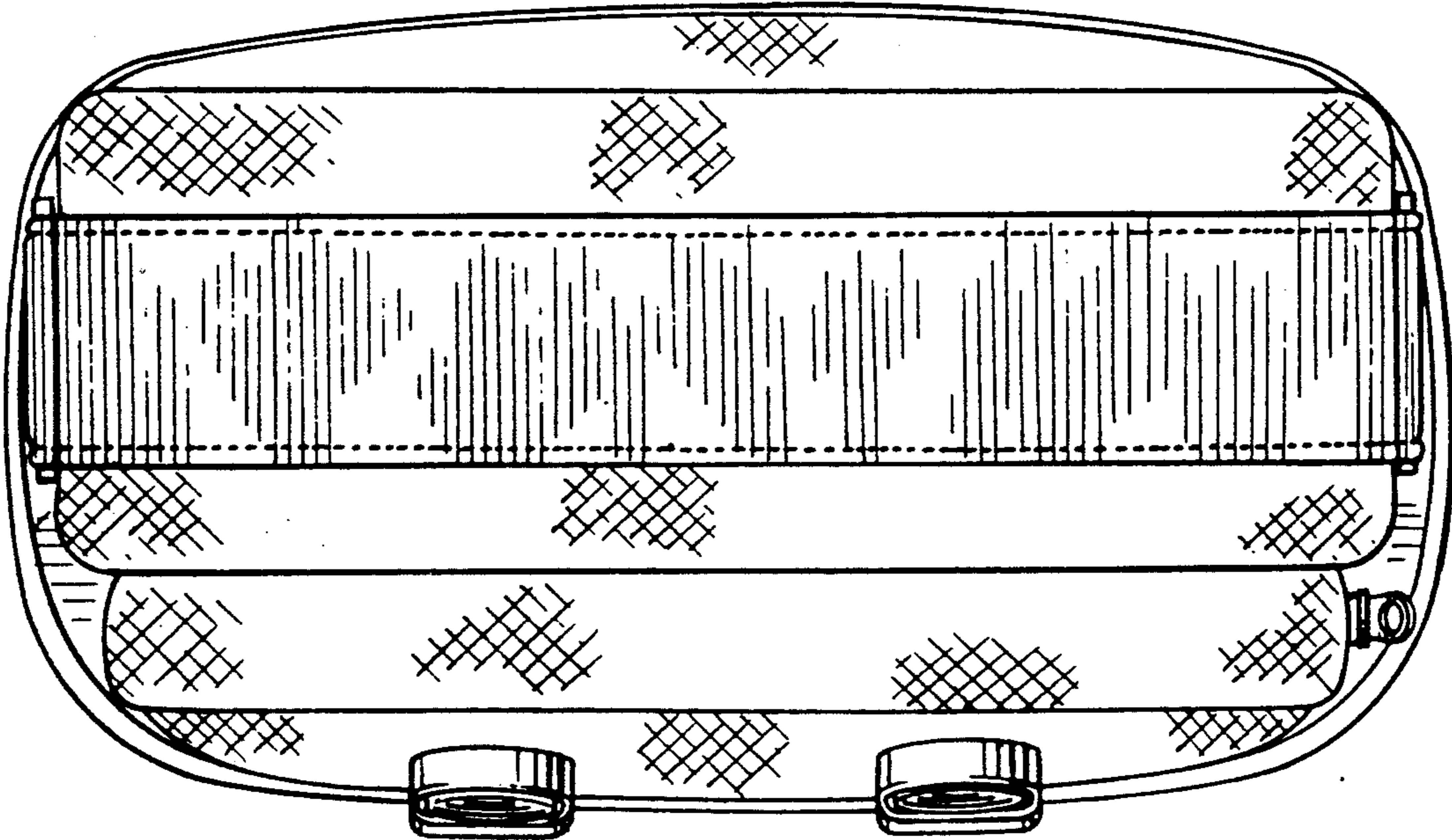


Fig. 9.

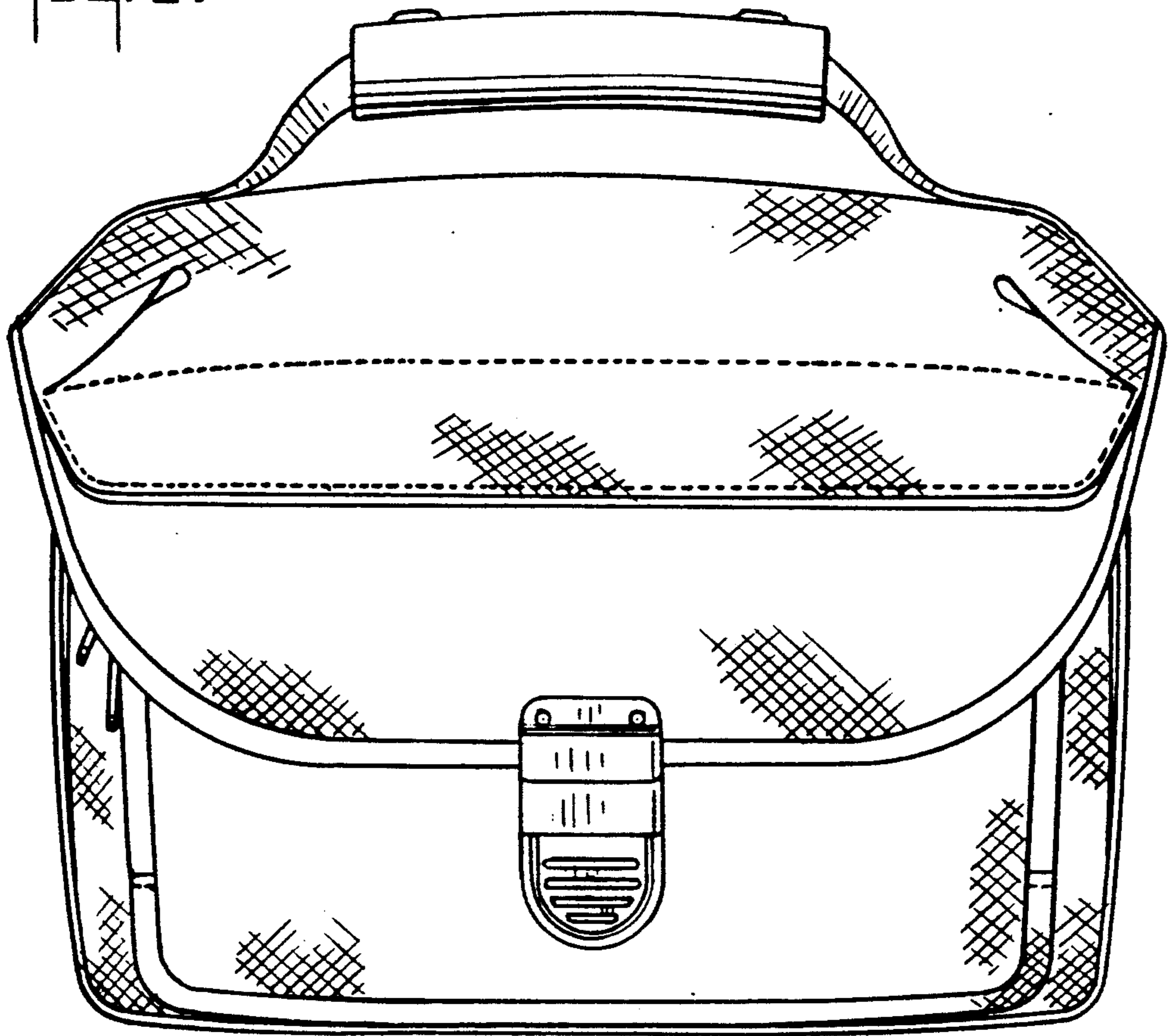


Fig. 10.

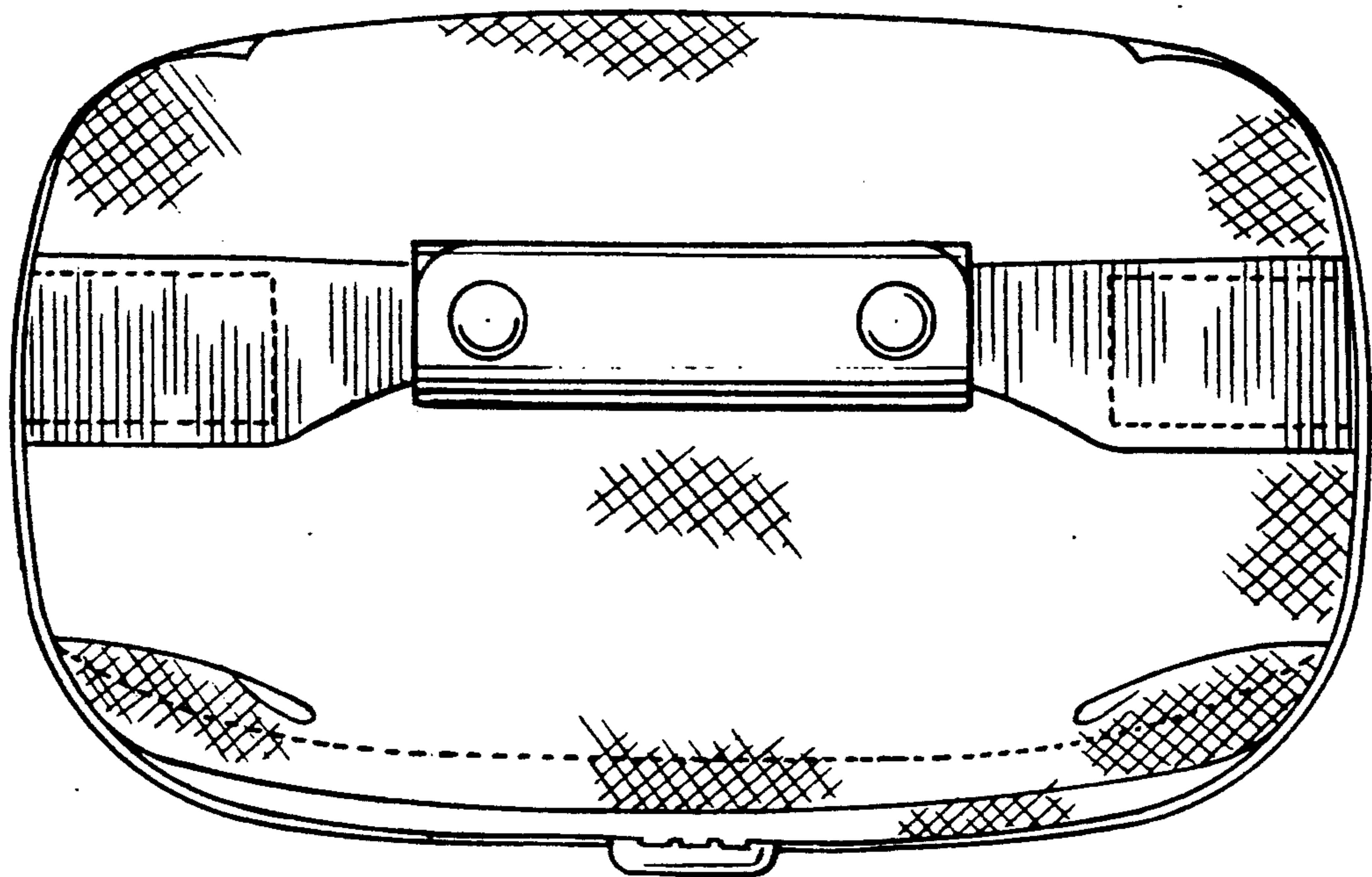


Fig. 12.

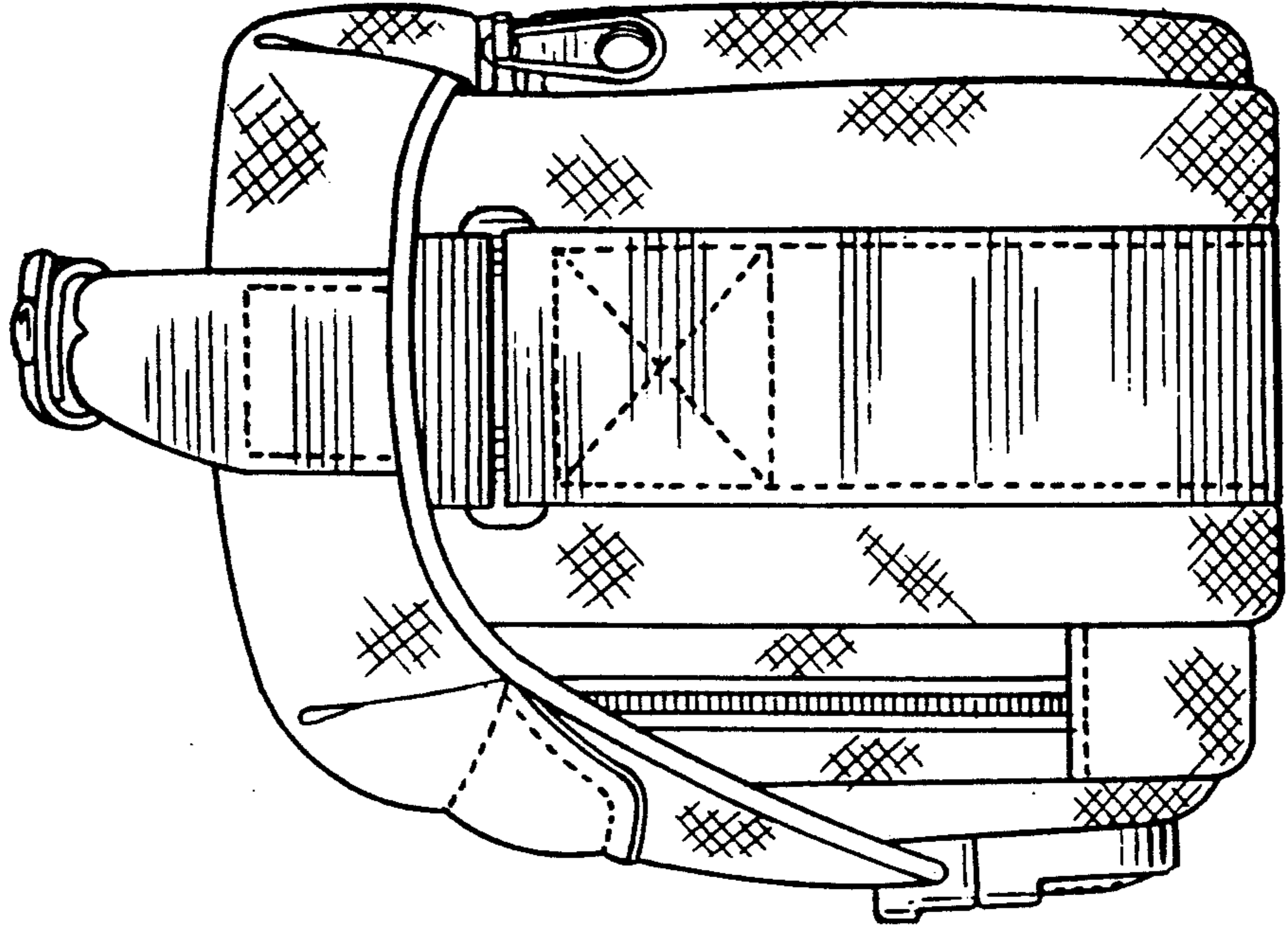


Fig. 11.

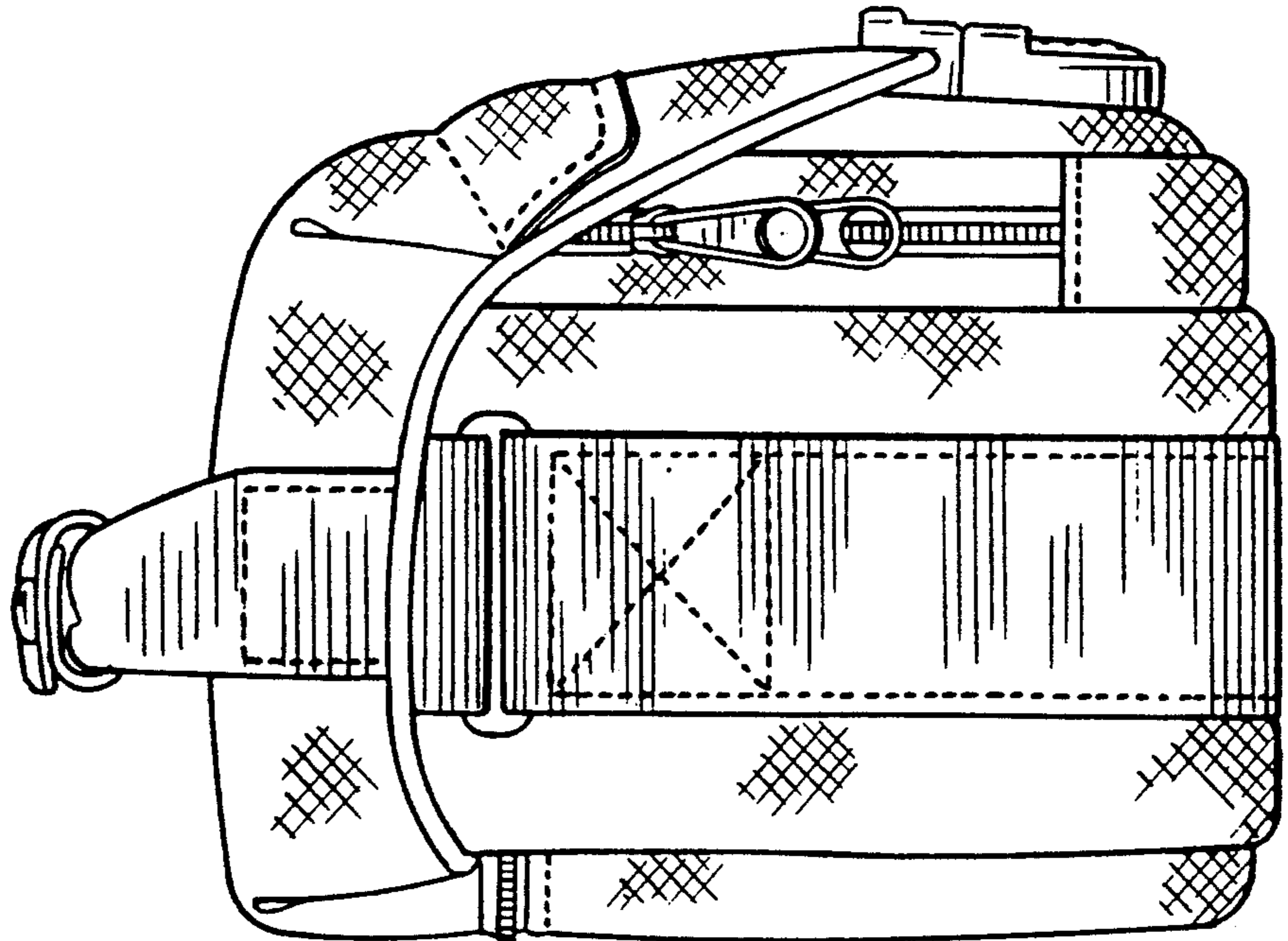


Fig. 8.



Fig. 13.



Fig. 14.

