



US00D340567S

United States Patent [19]

[11] Patent Number: **Des. 340,567**

Maxted

[45] Date of Patent: **** Oct. 19, 1993**

[54] **DEVICE FOR DE-EARTHING STEEL FENCE POSTS**

4,726,565 2/1988 Keller 254/30
4,738,433 4/1988 Hoff 254/30

[76] Inventor: **Leonard Maxted**, 1918 Walnut Ave.,
Sheriden, Wyo. 82801

Primary Examiner—Kay H. Chin
Attorney, Agent, or Firm—Terry M. Gernstein

[**] Term: **14 Years**

[57] **CLAIM**

[21] Appl. No.: **786,995**

The ornamental design for a device for de-earthing steel fence posts, as shown and described.

[22] Filed: **Nov. 4, 1991**

[52] U.S. Cl. **D34/31; D34/28**

DESCRIPTION

[58] Field of Search **D34/28, 31; 254/30, 254/31, 132, DIG. 1**

FIG. 1 is a perspective view of the device for de-earthing steel fence posts embodying the design of the present invention;

[56] References Cited

U.S. PATENT DOCUMENTS

2,532,533 12/1950 Baldwin et al. 254/31
2,994,510 8/1961 Michalak 254/30
4,013,267 3/1977 Kirk 254/DIG. 1
4,161,310 7/1979 Parker 254/30

FIG. 2 is a front elevational view thereof;

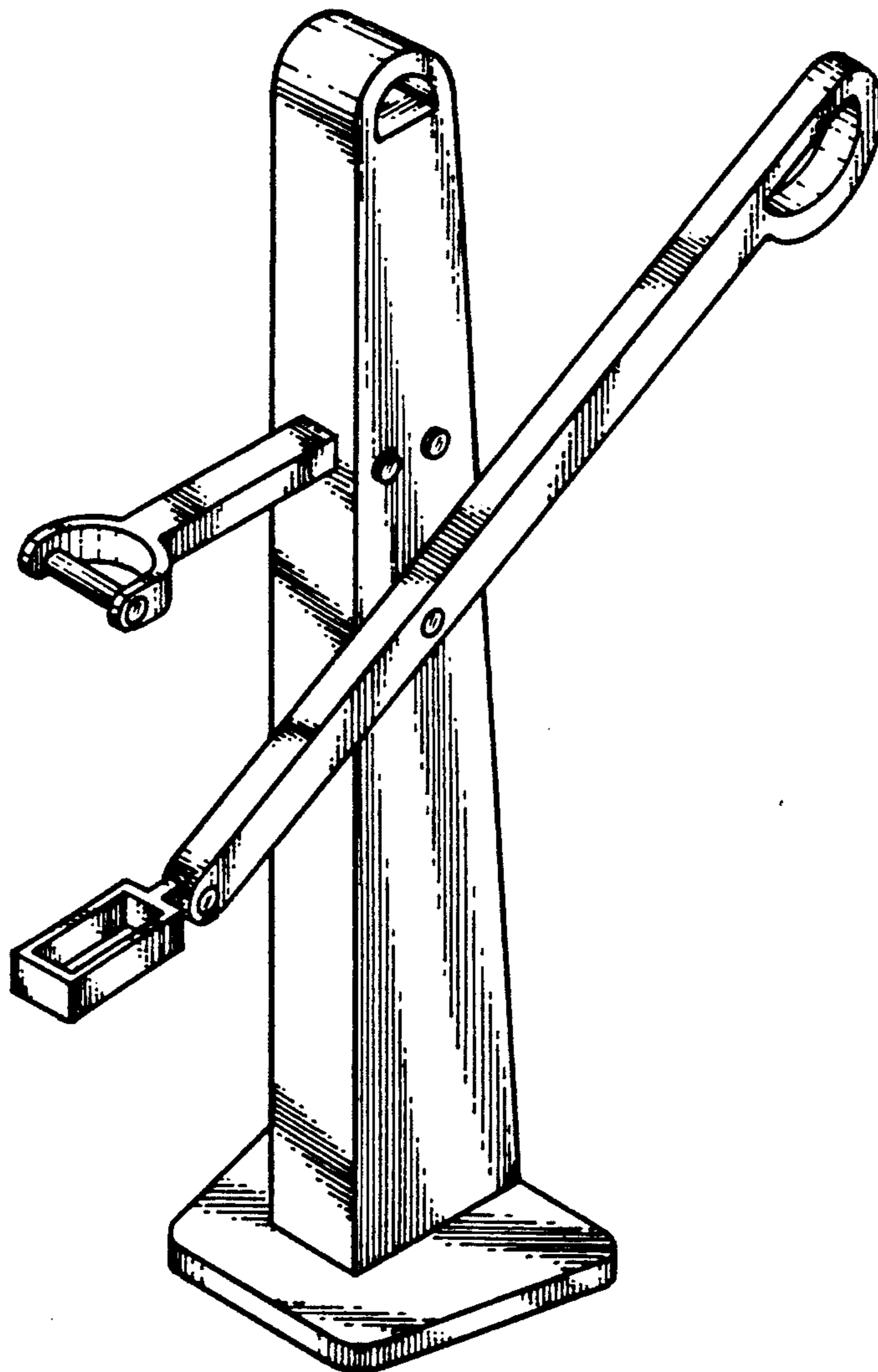
FIG. 3 is a rear elevational view thereof;

FIG. 4 is a side elevational view thereof;

FIG. 5 is a side elevational view thereof;

FIG. 6 is a top plan view thereof; and,

FIG. 7 is a bottom view thereof.



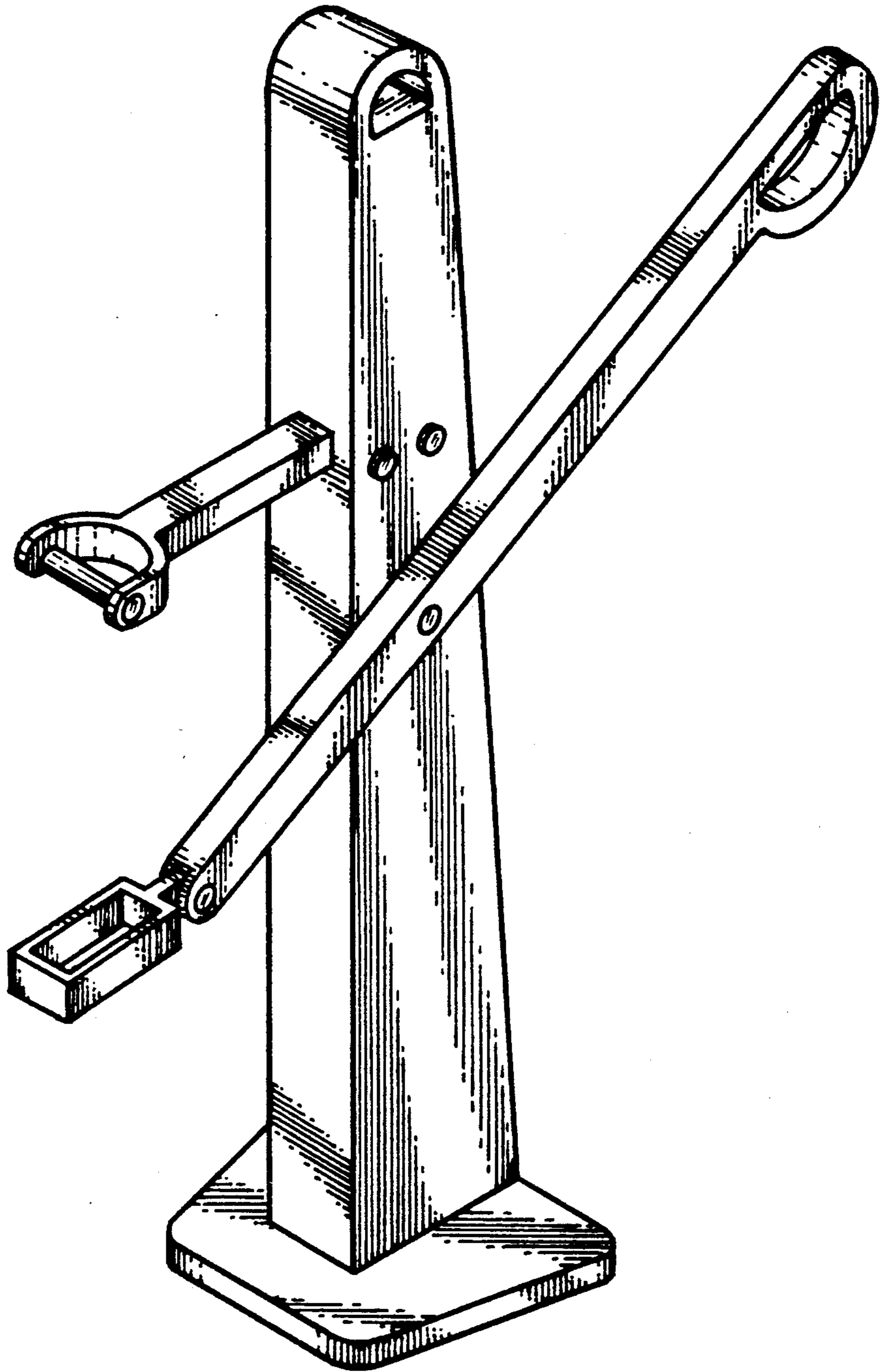


FIG. 1

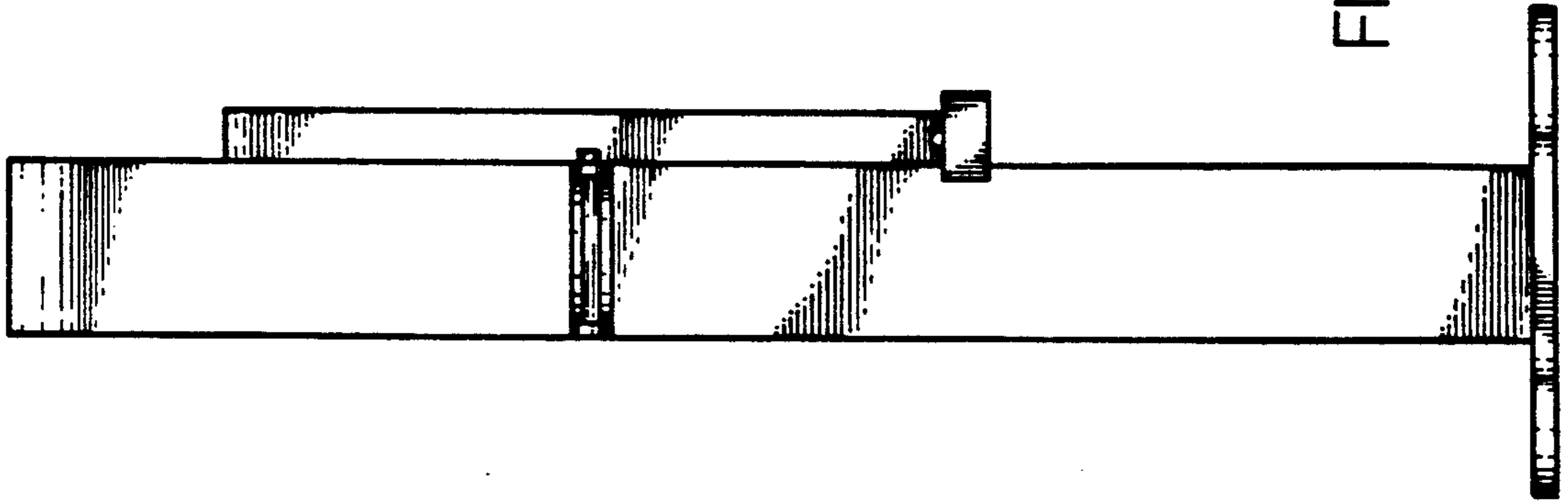


FIG. 2

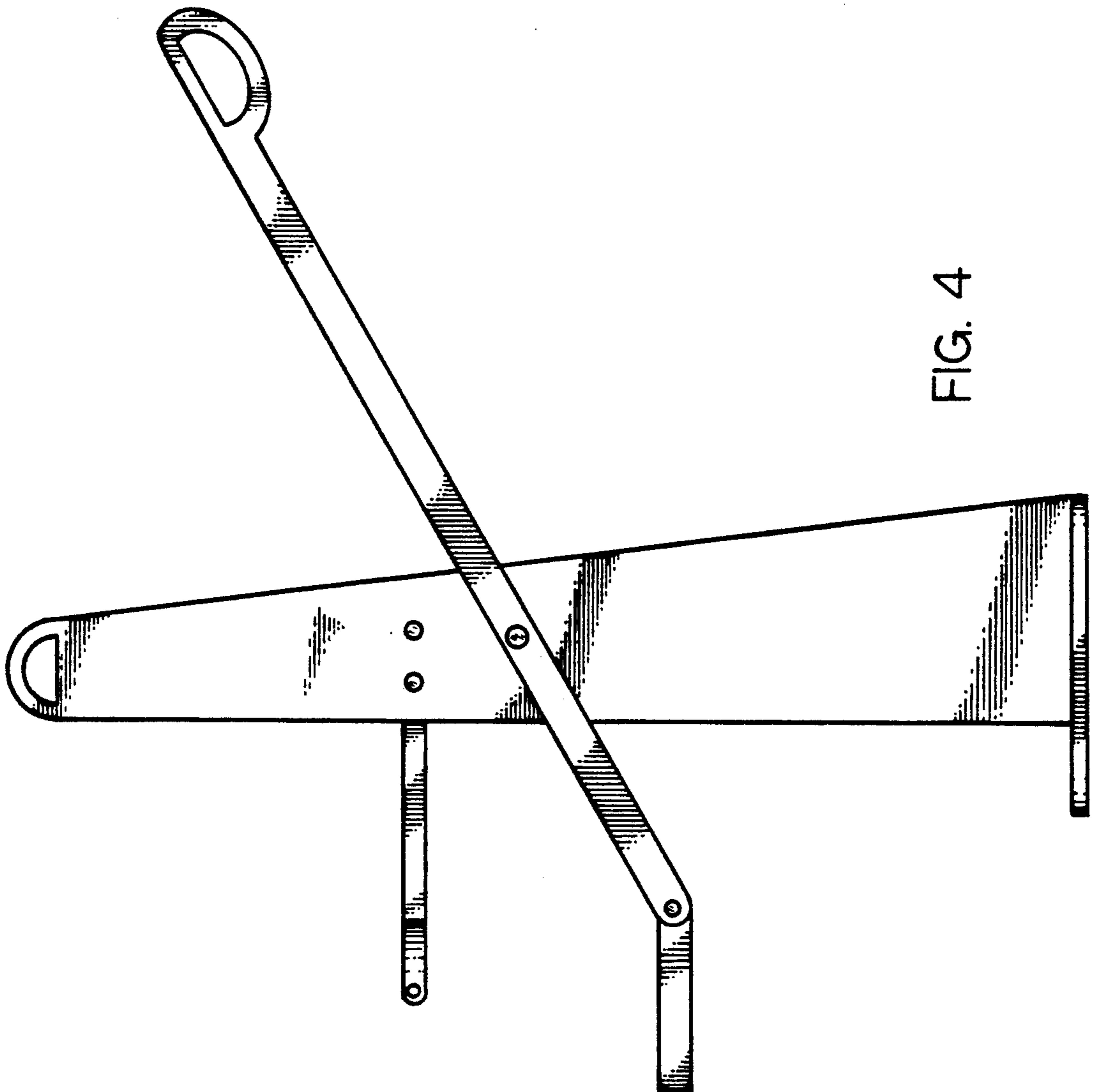


FIG. 4

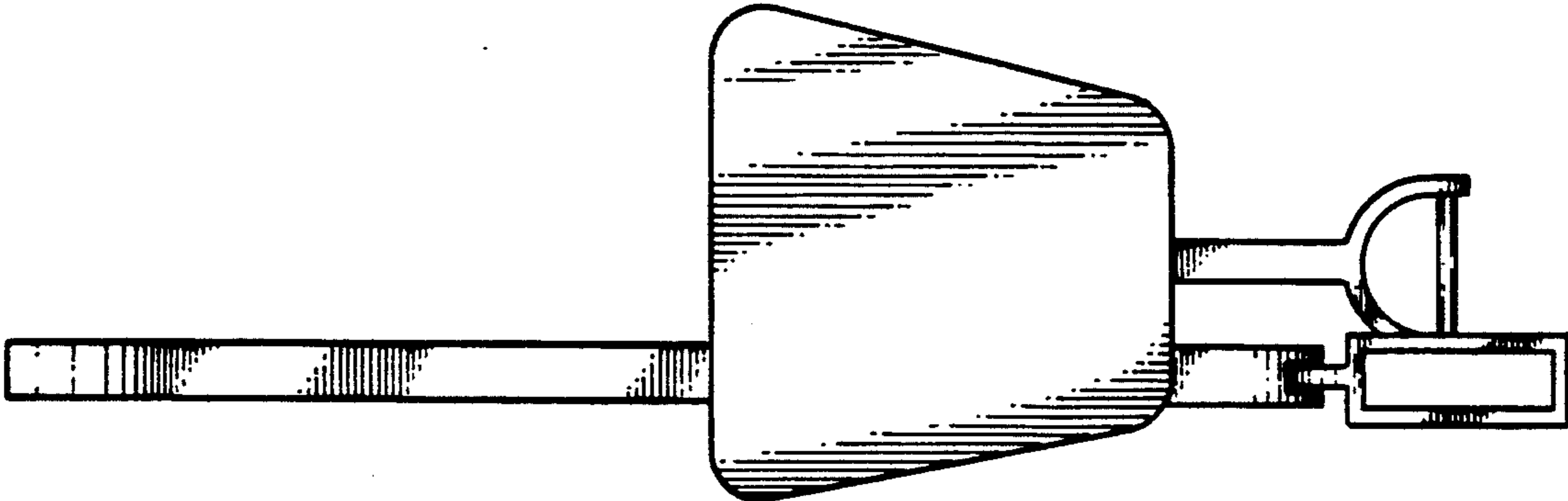


FIG. 7

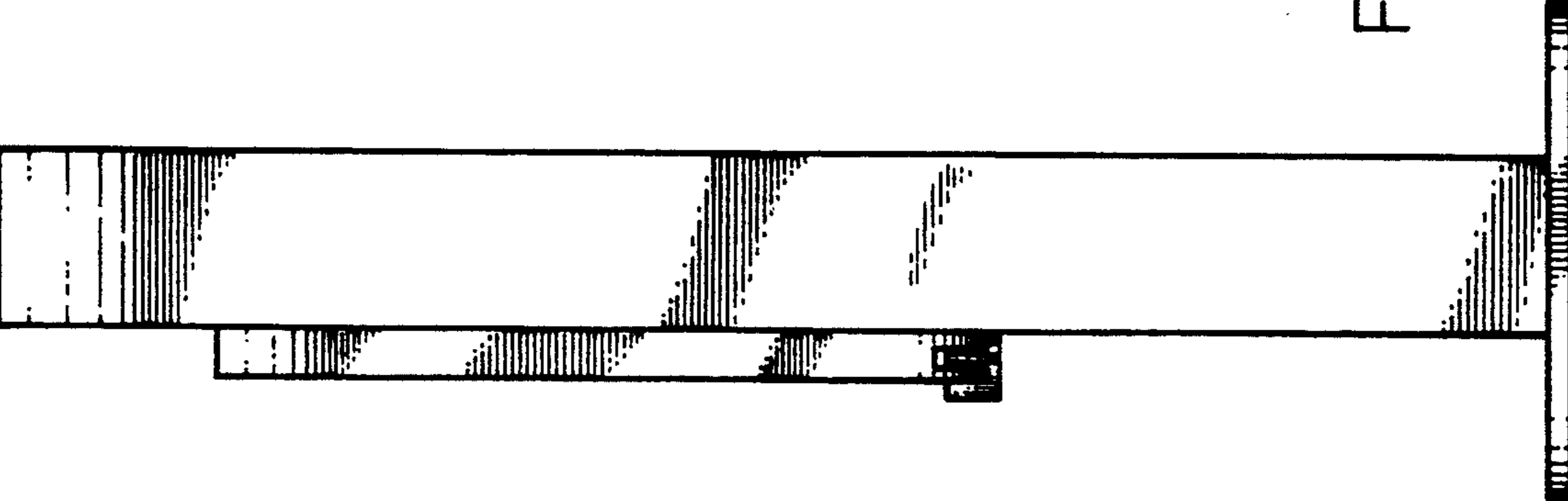


FIG. 3

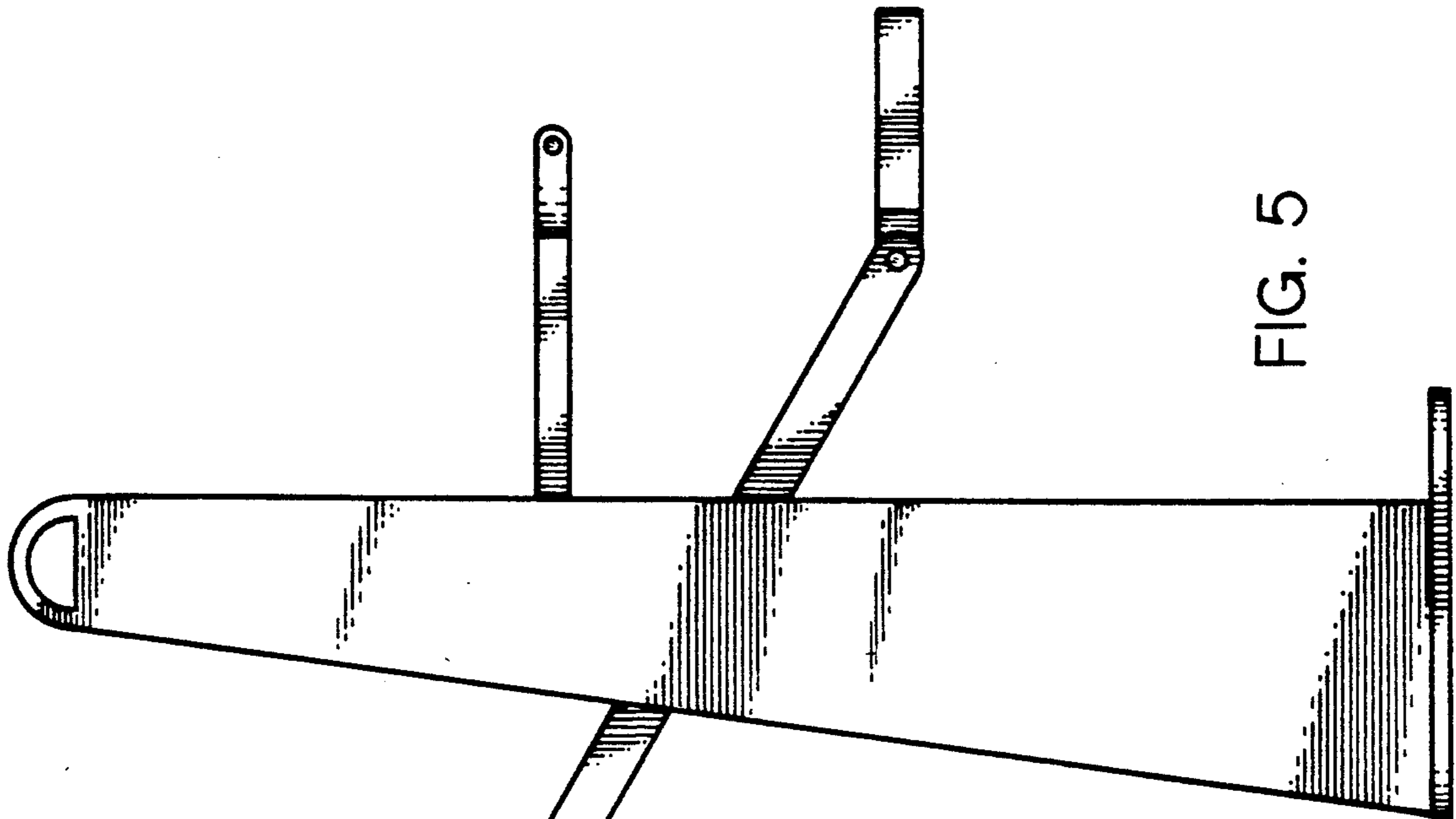


FIG. 5

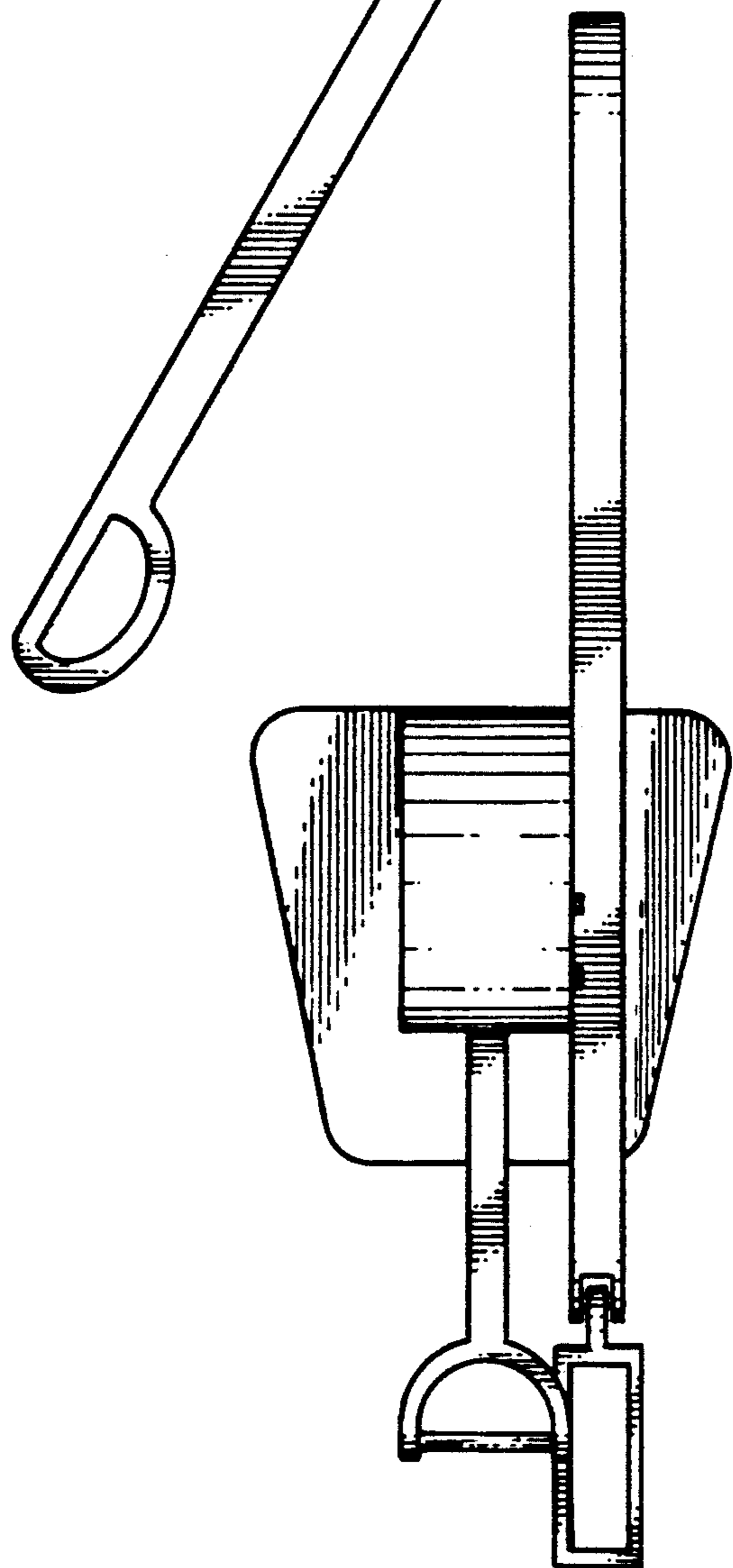


FIG. 6