



US00D340566S

United States Patent [19]

Thomas

[11] Patent Number: **Des. 340,566**

[45] Date of Patent: **** Oct. 19, 1993**

[54] **VEHICLE MOUNTED JACK**

[76] Inventor: **Robert L. Thomas**, 842 Washington St., Jacksonville, Fla. 32206

[**] Term: **14 Years**

[21] Appl. No.: **748,396**

[22] Filed: **Aug. 22, 1991**

[52] U.S. Cl. **D34/31; D34/28**

[58] Field of Search **D34/31, 28; 254/126, 254/7 B, 7 C**

5,135,201 8/1992 Engel et al. 254/126
 5,176,362 1/1993 Seksarta et al. 254/126

Primary Examiner—Kay H. Chin
Attorney, Agent, or Firm—Terry M. Gernstein

[57] CLAIM

The ornamental design for a vehicle mounted jack, as shown and described.

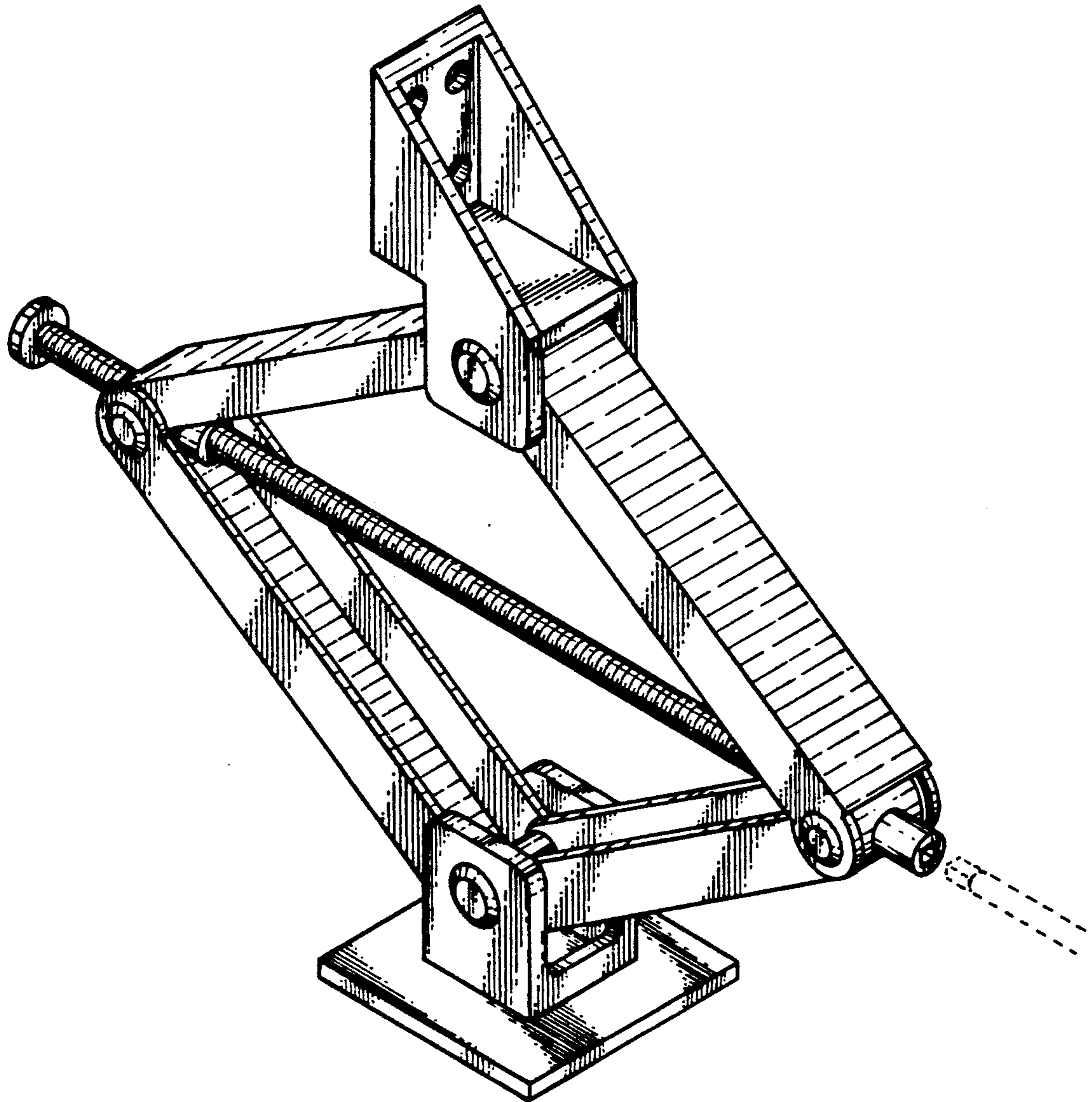
DESCRIPTION

FIG. 1 is a perspective view of the vehicle mounted jack embodying the design of the present invention; FIG. 2 is a front elevational view thereof; FIG. 3 is a rear elevational view thereof; FIG. 4 is a side elevational view thereof; FIG. 5 is a side elevational view thereof; FIG. 6 is a top plan view thereof; and, FIG. 7 is a bottom view thereof.

[56] **References Cited**

U.S. PATENT DOCUMENTS

3,064,994	11/1962	Limmer	254/423
3,860,216	1/1975	Brown	254/423
4,150,813	4/1979	Mena	254/423
4,848,733	7/1989	Yamauchi et al.	254/126



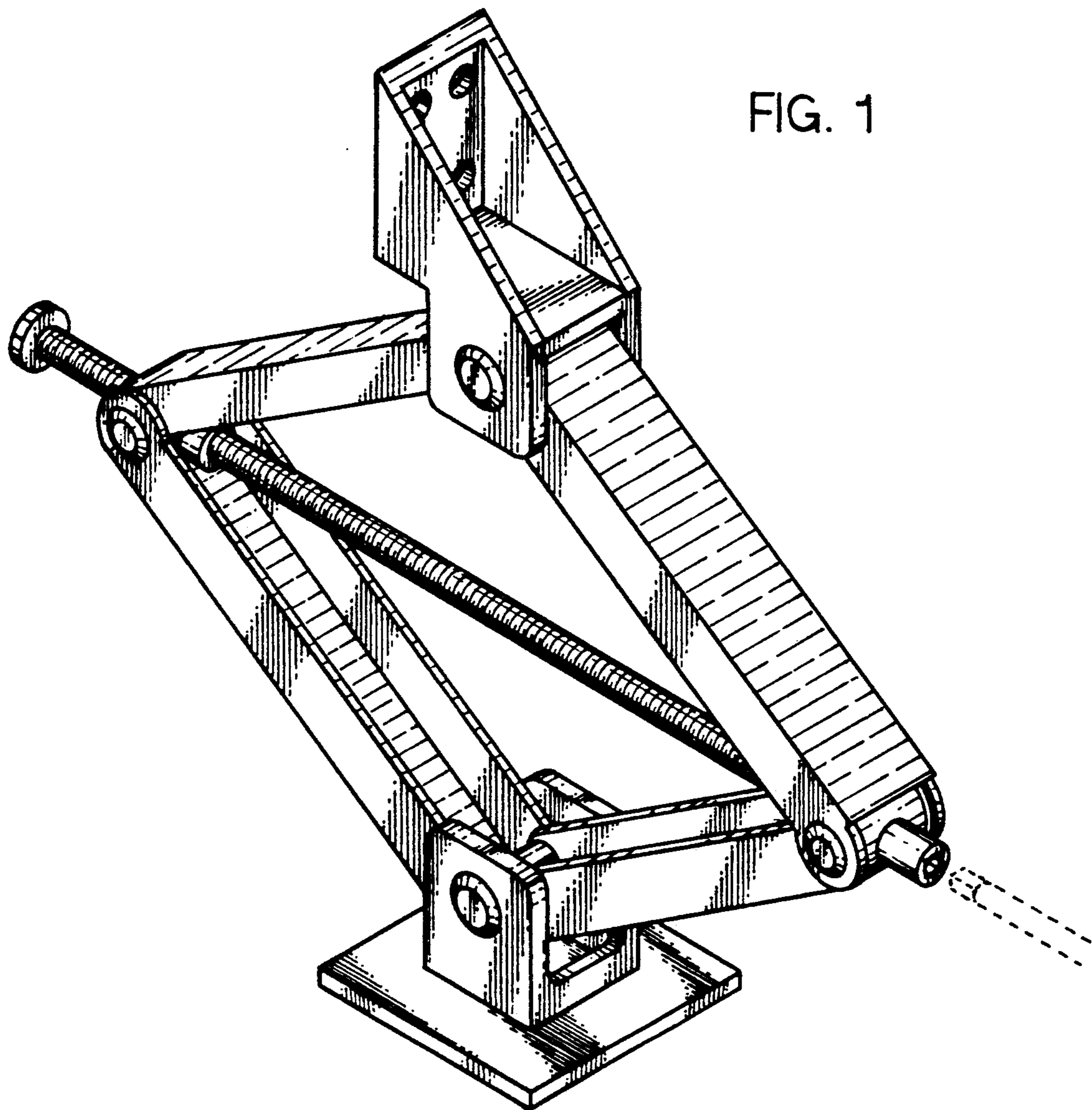


FIG. 1

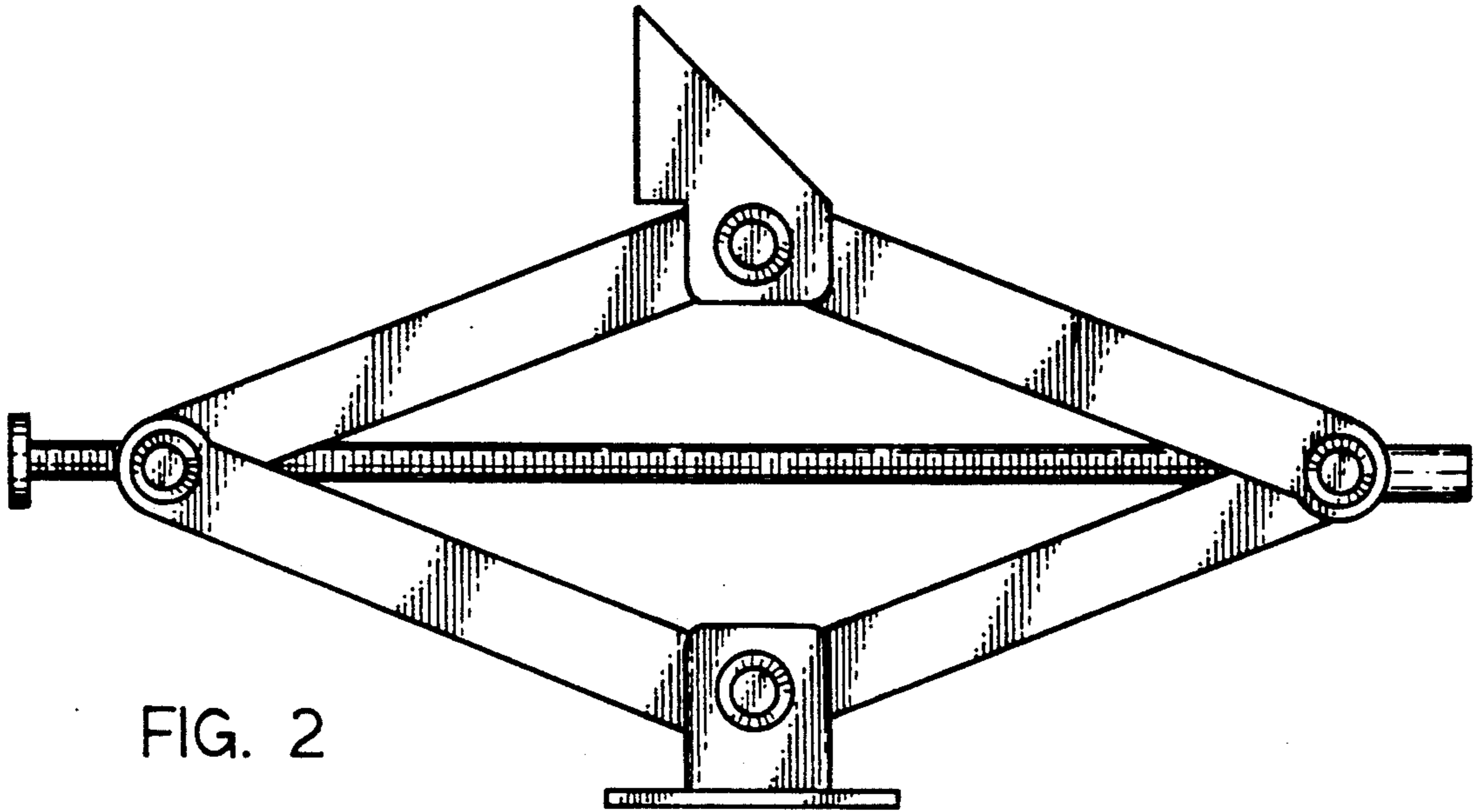


FIG. 2

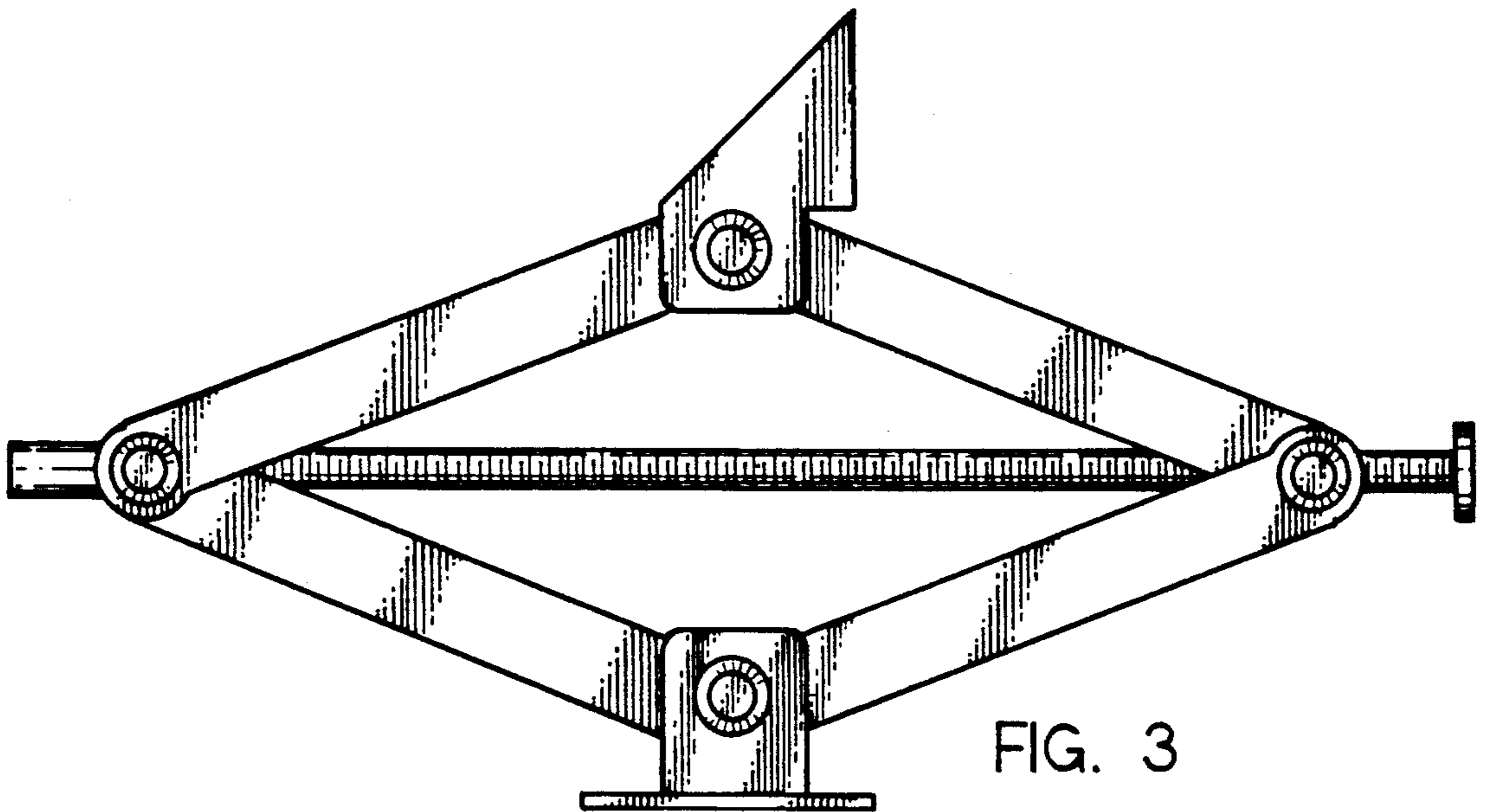


FIG. 3

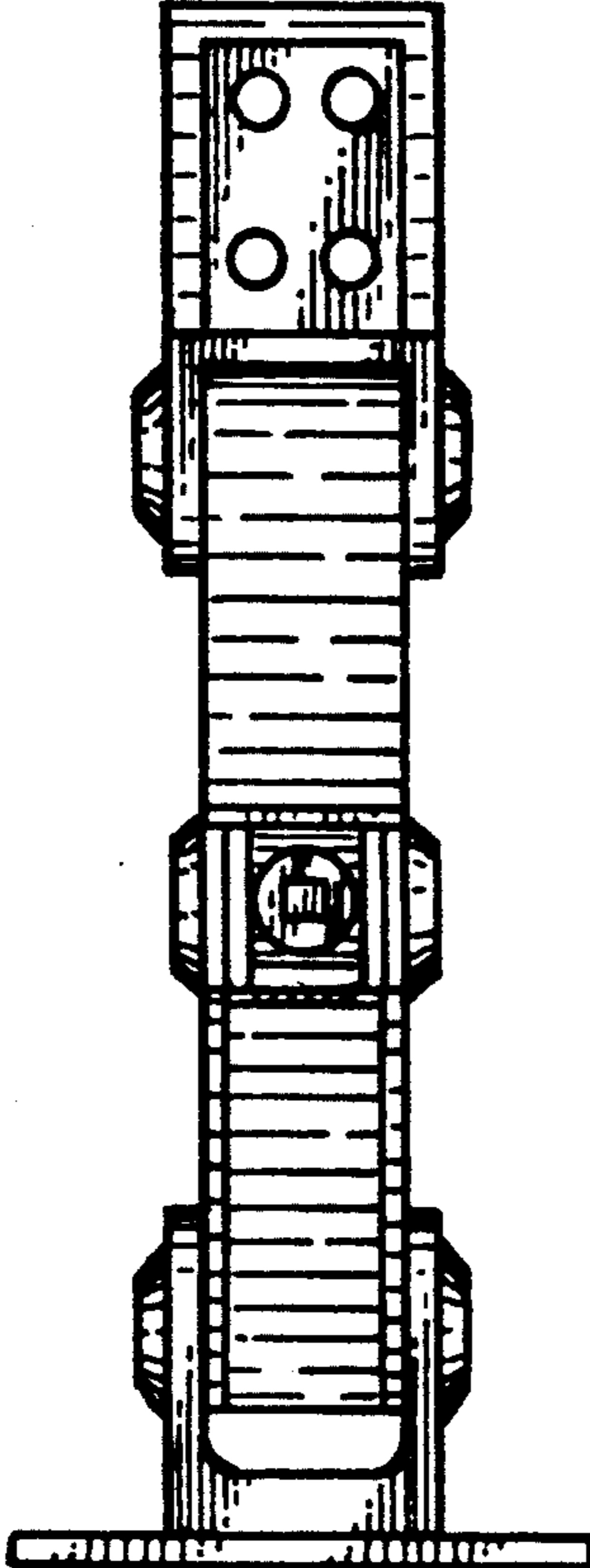


FIG. 5

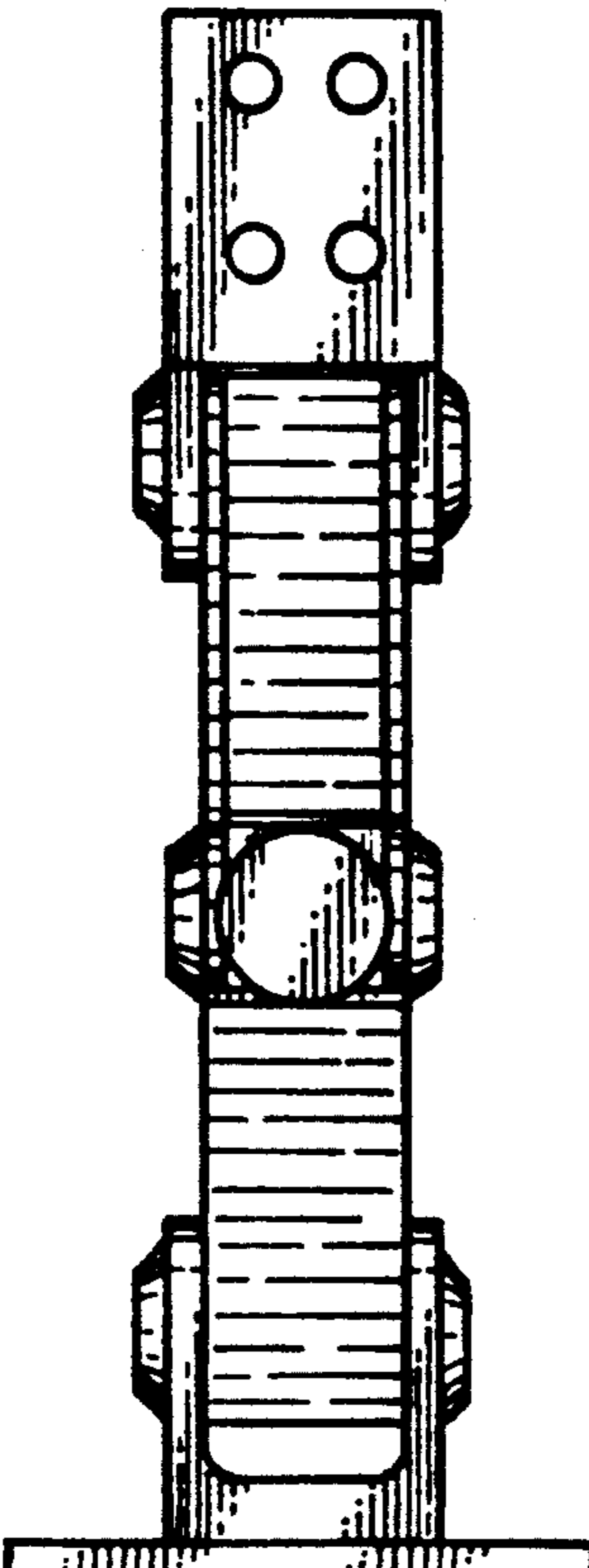


FIG. 4

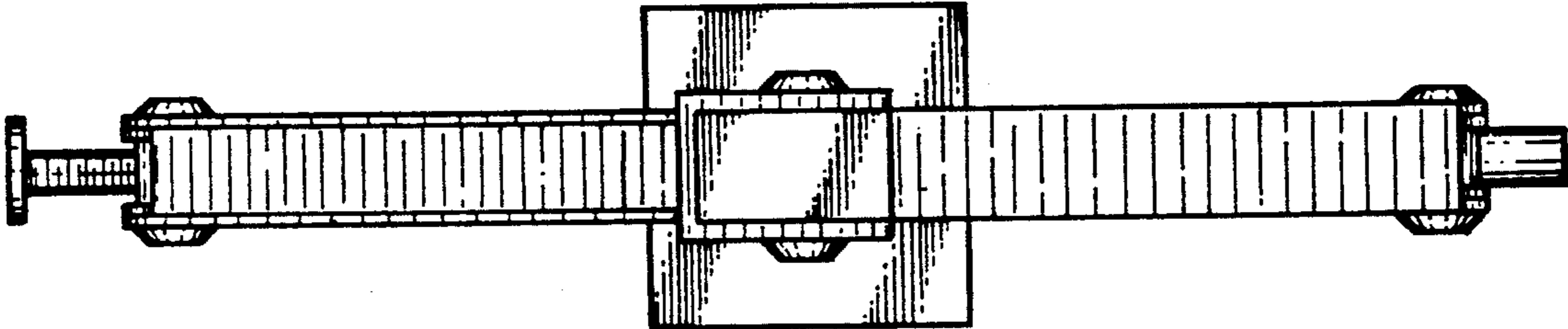


FIG. 6

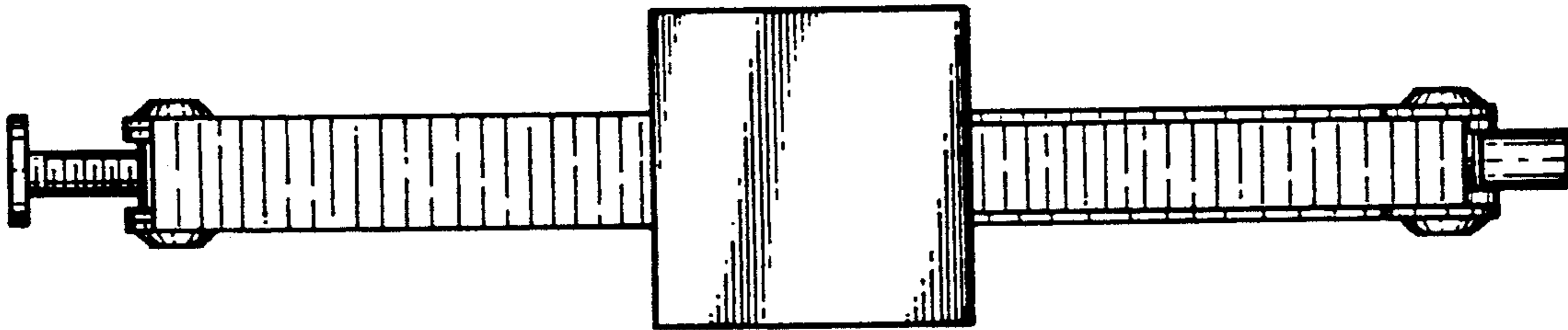


FIG. 7