



US00D340563S

# United States Patent [19]

Kean et al.

[11] Patent Number: **Des. 340,563**

[45] Date of Patent: **\*\* Oct. 19, 1993**

[54] **DRUM DOLLY**

[75] Inventors: **J. H. B. Kean**, Marina Del Rey, Calif.; **Everette A. Brumbelow**; **Henry C. Grimes**, both of Rome, Ga.; **Dennis Schultz**, Cartersville, Ga.; **Mickey Watson**, Rome, Ga.

[73] Assignee: **The Fairbanks Company**, Rome, Ga.

[\*\*] Term: **14 Years**

[21] Appl. No.: **871,211**

[22] Filed: **Apr. 20, 1992**

[52] U.S. Cl. .... **D34/23; D34/27**

[58] Field of Search ..... **D34/23, 12; 280/79.11, 280/79.5, 79.2; 248/129**

[56] **References Cited**

**U.S. PATENT DOCUMENTS**

|           |         |               |           |
|-----------|---------|---------------|-----------|
| D. 27,784 | 10/1897 | Gander .....  | D34/23    |
| 973,029   | 10/1910 | Froese .....  | 280/79.5  |
| 1,918,604 | 7/1933  | Johnson ..... | 248/129   |
| 3,554,573 | 1/1971  | Miller .....  | 280/79.2  |
| 3,734,527 | 5/1973  | Bard .....    | 280/79.11 |

*Primary Examiner*—**Kay H. Chin**

*Attorney, Agent, or Firm*—**Dowell & Dowell**

[57] **CLAIM**

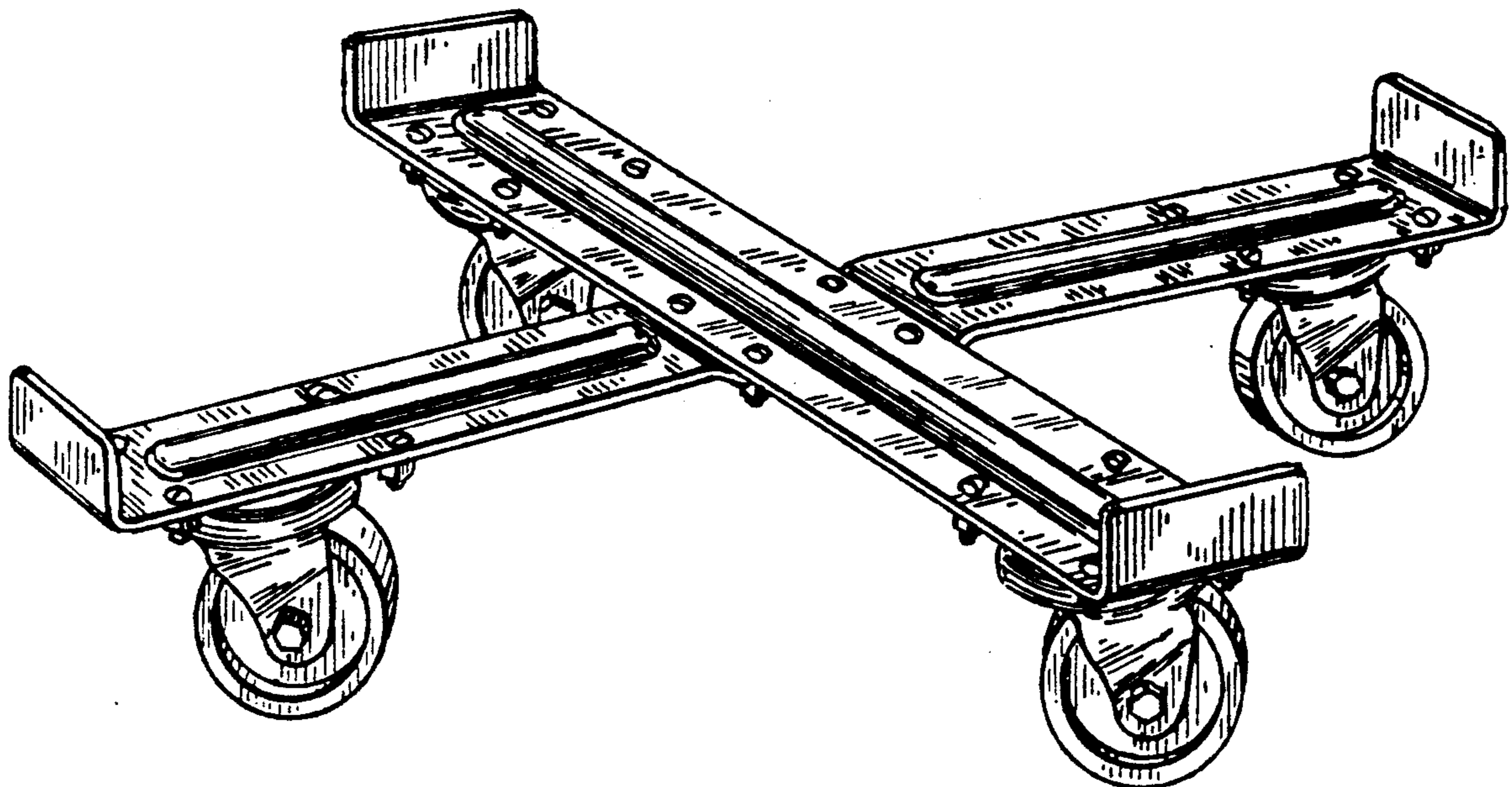
The ornamental design for a drum dolly, as shown and described.

**DESCRIPTION**

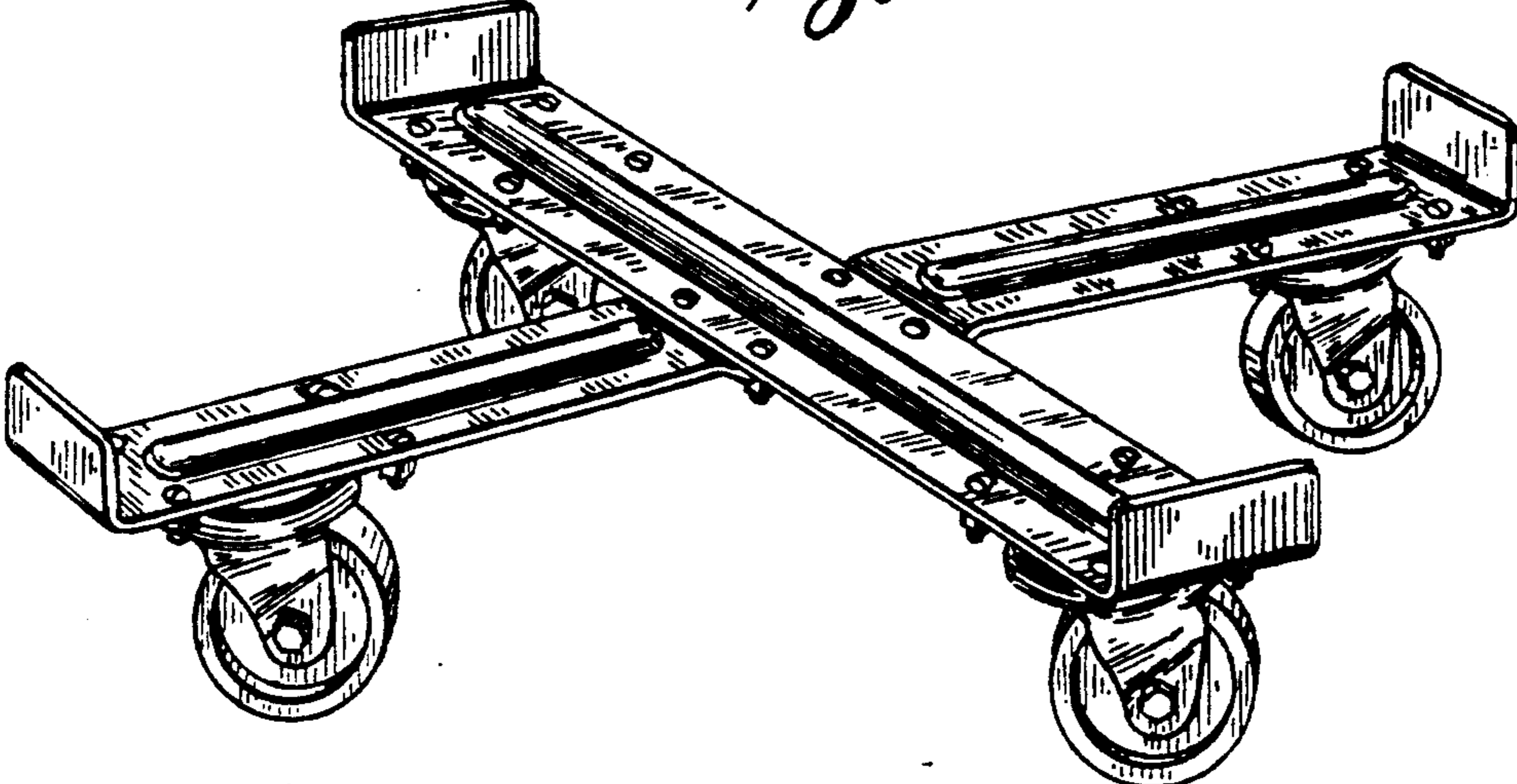
FIG. 1 is a perspective of a drum dolly showing our new design;

FIG. 2 is a top plan view; and,

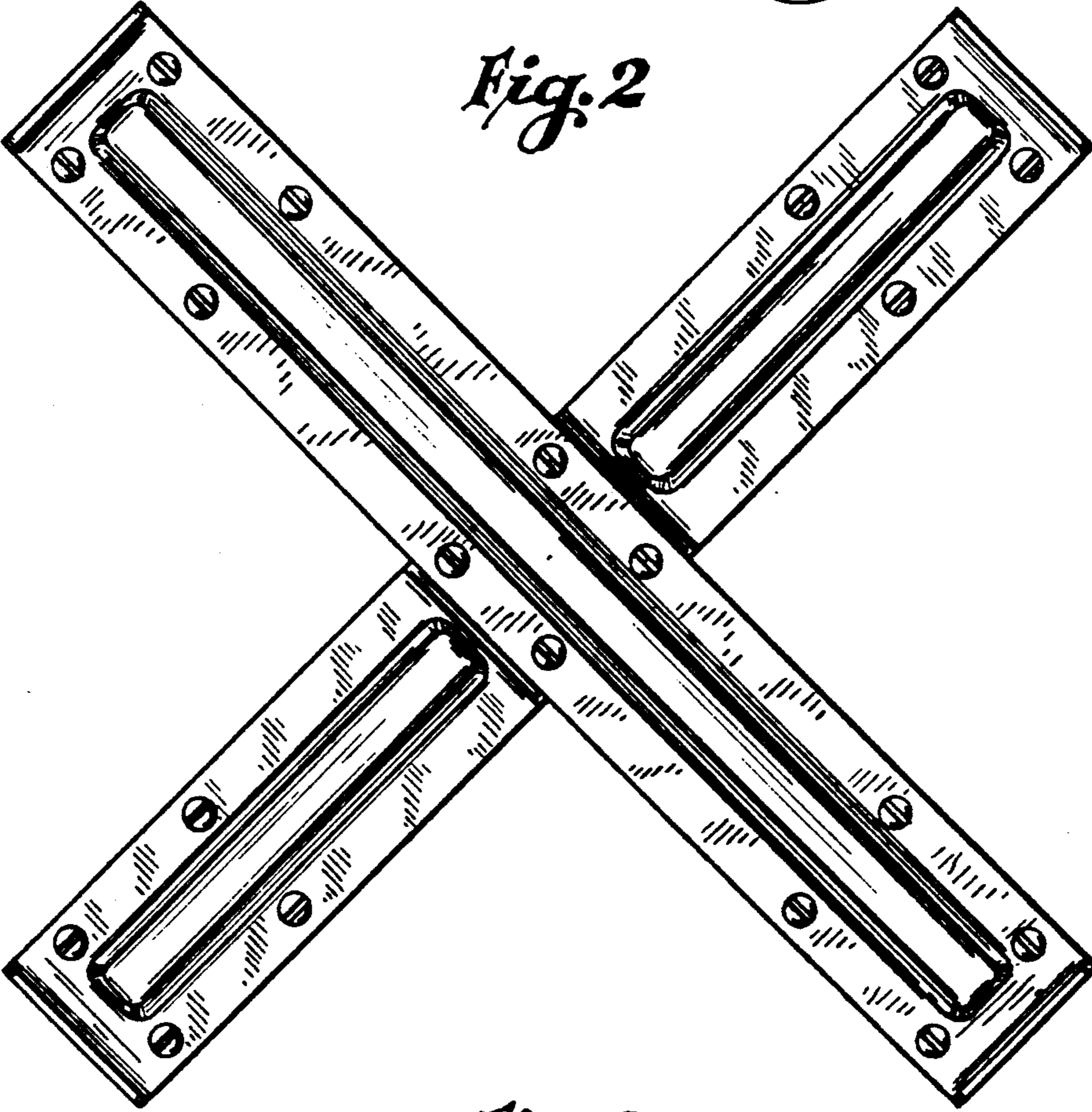
FIG. 3 is a side elevation, the opposite side thereof being a mirror image.



*Fig. 1*



*Fig. 2*



*Fig. 3*

