



US00D340562S

United States Patent [19]

Kean et al.

[11] Patent Number: **Des. 340,562**

[45] Date of Patent: **** Oct. 19, 1993**

[54] **MOVER'S DOLLY**

[75] Inventors: **J. H. B. Kean**, Marina Del Rey, Calif.; **Everette A. Brumbelow**; **Henry C. Grimes**, both of Rome, Ga.; **Dennis Schultz**, Cartersville, Ga.; **Mickey Watson**, Rome, Ga.

[73] Assignee: **The Fairbanks Company**, Rome, Ga.

[**] Term: **14 Years**

[21] Appl. No.: **871,210**

[22] Filed: **Apr. 20, 1992**

[52] U.S. Cl. **D34/23; D34/12**

[58] Field of Search **D34/23, 12; 280/79.11, 280/79.2, 79.4, 79.5, 79.6**

[56] **References Cited**

U.S. PATENT DOCUMENTS

1,918,604 7/1933 Johnson 280/79.5
3,608,921 9/1971 Wilson 280/79.11

4,720,115 1/1988 Rehrig 280/79.1 R
4,824,129 4/1989 Rehrig 280/79.11

FOREIGN PATENT DOCUMENTS

646338 8/1962 Canada 280/66
82433 9/1953 Norway 280/79.11

Primary Examiner—Kay H. Chin
Attorney, Agent, or Firm—Dowell & Dowell

[57] **CLAIM**

The ornamental design for a mover's dolly, as shown and described.

DESCRIPTION

FIG. 1 is a perspective of a mover's dolly showing our new design;
FIG. 2 is a top plan view;
FIG. 3 is a side elevation, the opposite side thereof being a mirror image; and,
FIG. 4 is a front elevation, the rear elevation being a mirror image.

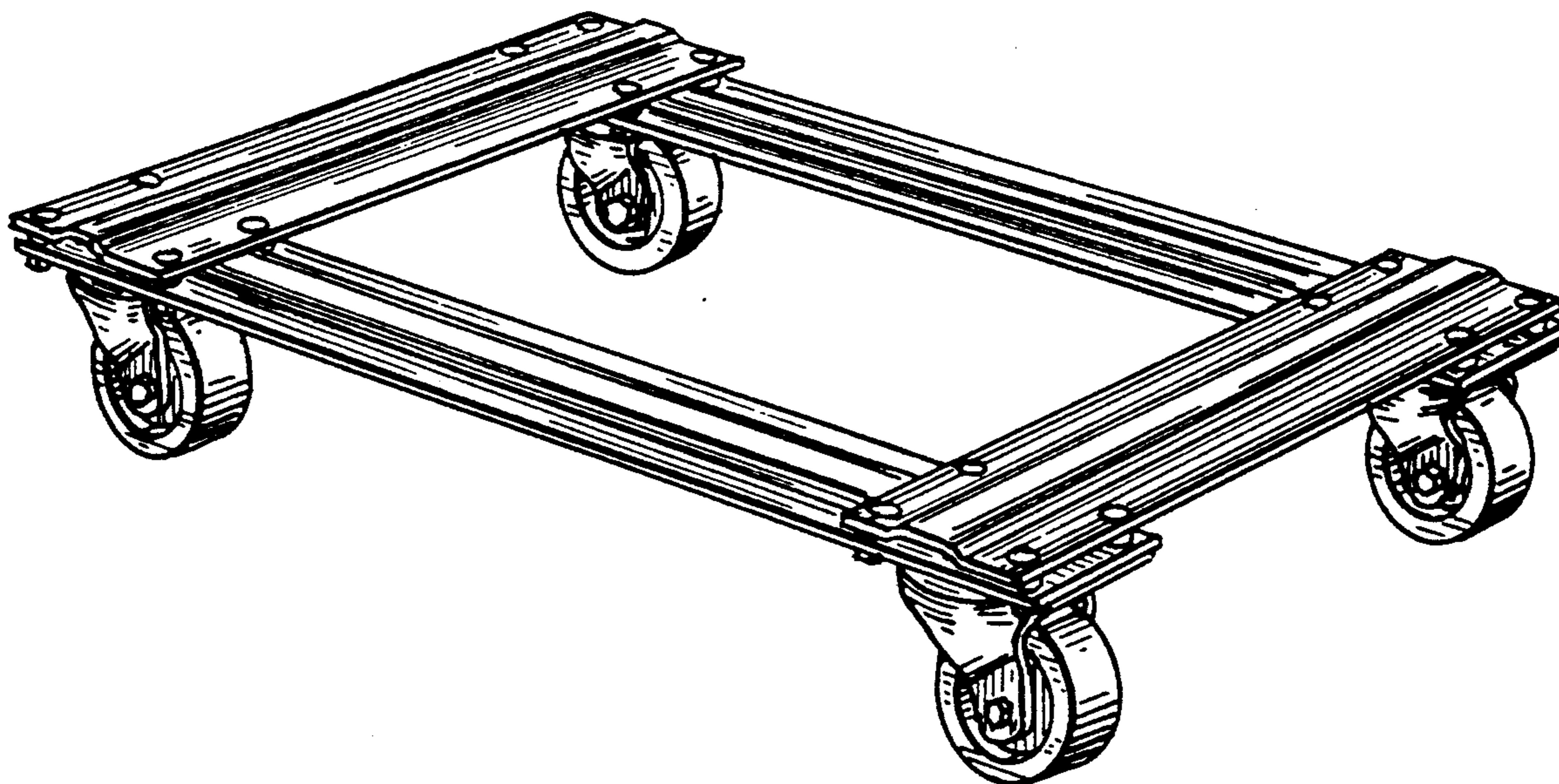


Fig. 1

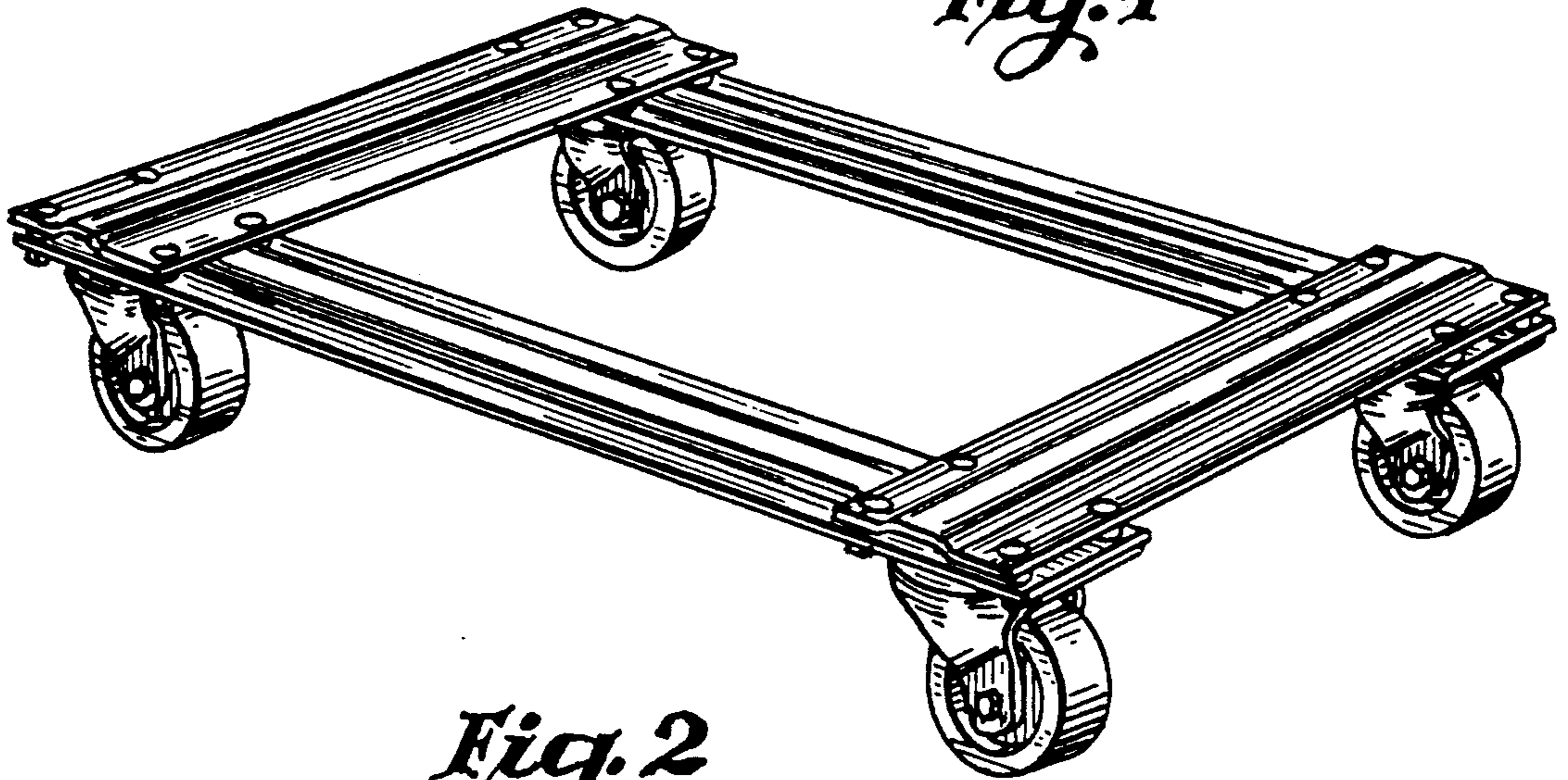


Fig. 2

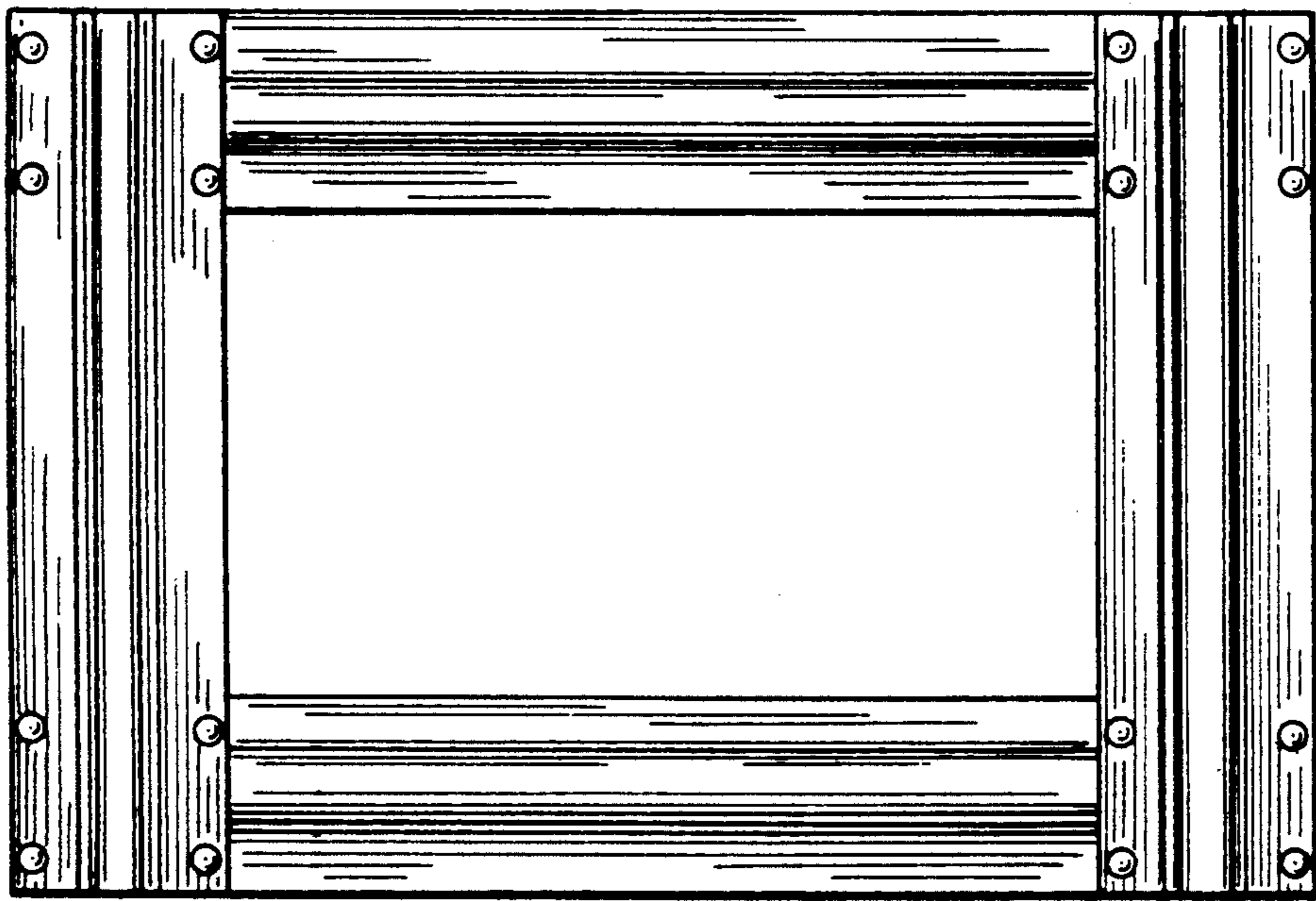


Fig. 3

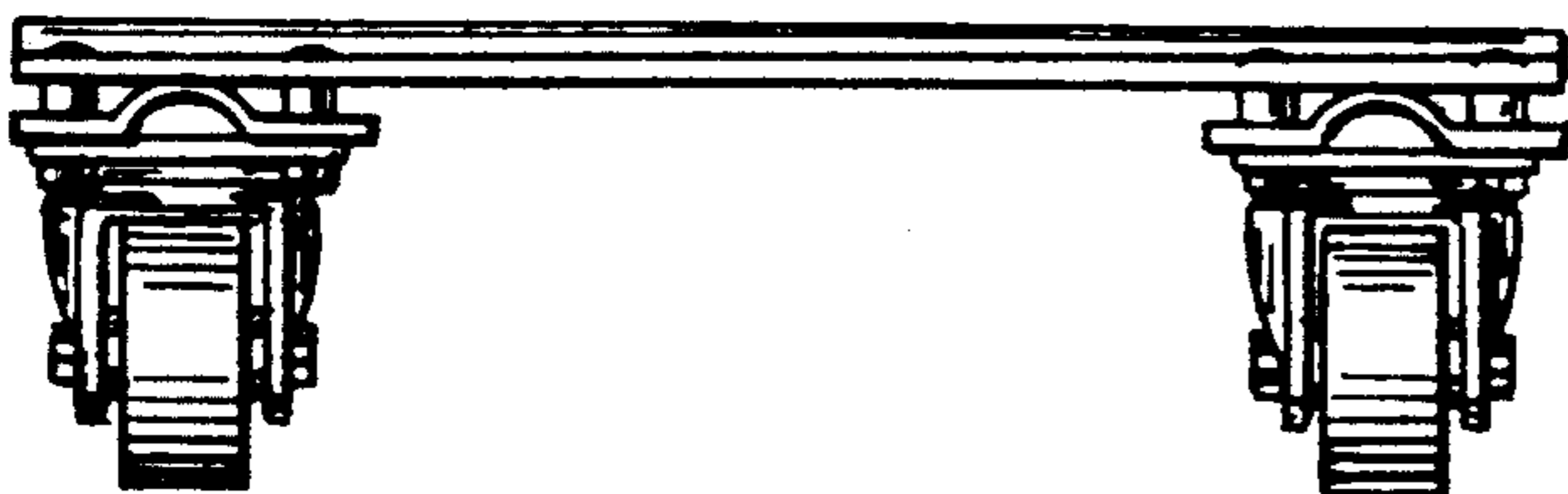
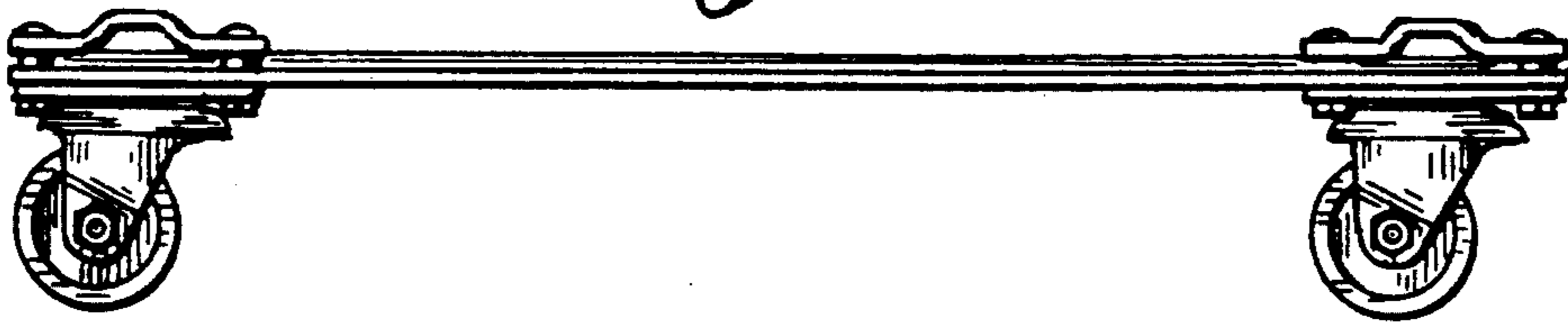


Fig. 4