



US00D340559S

# United States Patent [19]

[11] Patent Number: **Des. 340,559**

Taylor

[45] Date of Patent: **\*\* Oct. 19, 1993**

## [54] COMPOSTER

- [75] Inventor: **Laurie A. Taylor, St. Louis, Mo.**
- [73] Assignee: **Master Garden Products, Inc., St. Charles, Mo.**
- [\*\*] Term: **14 Years**
- [21] Appl. No.: **672,612**
- [22] Filed: **Mar. 20, 1991**
- [52] U.S. Cl. .... **D34/1; D34/5; D8/1**
- [58] Field of Search ..... **D34/1-11; 220/908, 909, DIG. 27; 232/43.2; 52/192, 245, 169.5; 47/83, 9; D8/1**

[56]

### References Cited

#### U.S. PATENT DOCUMENTS

D. 263,365	3/1982	Arato	.....	D34/1
D. 326,170	5/1992	De Yoreo et al.	.....	D34/1
2,680,069	6/1954	Eweson	.....	71/9
3,837,810	9/1974	Richards et al.	.....	23/259.1
3,847,299	11/1974	Page	.....	220/DIG. 27
3,890,129	6/1975	Chester	.....	71/9
3,960,537	6/1976	Kaelin	.....	71/9
4,105,412	8/1978	Petzinger	.....	23/259.1
4,108,609	8/1978	Petzinger	.....	23/259.1
4,683,674	8/1987	Faul	.....	47/83

#### FOREIGN PATENT DOCUMENTS

3718990 5/1988 Fed. Rep. of Germany .

## OTHER PUBLICATIONS

- "Flower & Garden" Magazine (prior to Jan. 1992), pp. 68 & 70.
- "National Gardening" Magazine (Sep./Oct. 1991).
- "Mother Earth News" (Aug./Sep. 1991).
- "Resource Recycling Journal" (Aug. 1991) (pp. 22-32).
- "Consumers Reports" Magazine (Jun., 1991).
- "Do It Yourself Retailing" Magazine (Jun., 1991).
- "Gardener's Eden" Magazine (Spring, 1991).
- "Garbage Journal" (Mar./Apr., 1991).
- "Don't Bag It" (Feb. 1991).
- "Resource Recycling" Recycling Journal (Dec. 1990).
- "Garbage" Journal (Sep./Oct. 1990).

Primary Examiner—Kay H. Chin  
Attorney, Agent, or Firm—Heller & Kepler

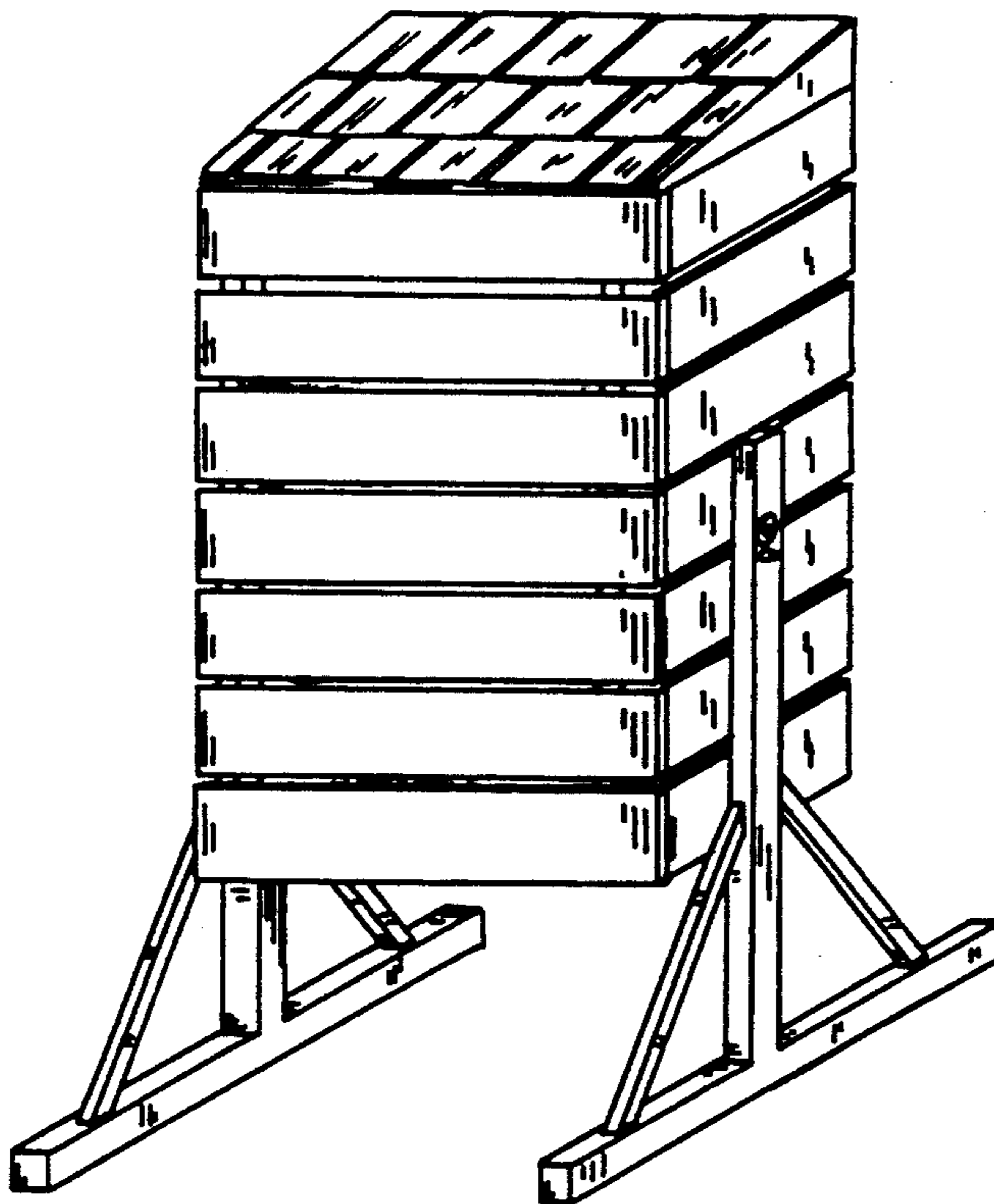
[57]

## CLAIM

The ornamental design for a composter, as shown and described.

## DESCRIPTION

FIG. 1 is a top and front perspective view of a composter showing my new design;  
 FIG. 2 is a front perspective view thereof with the door in open condition;  
 FIG. 3 is a side elevational view thereof with the lid in open condition;  
 FIG. 4 is a rear elevational view thereof;  
 FIG. 5 is a top plan view thereof; and,  
 FIG. 6 is a bottom plan view thereof.



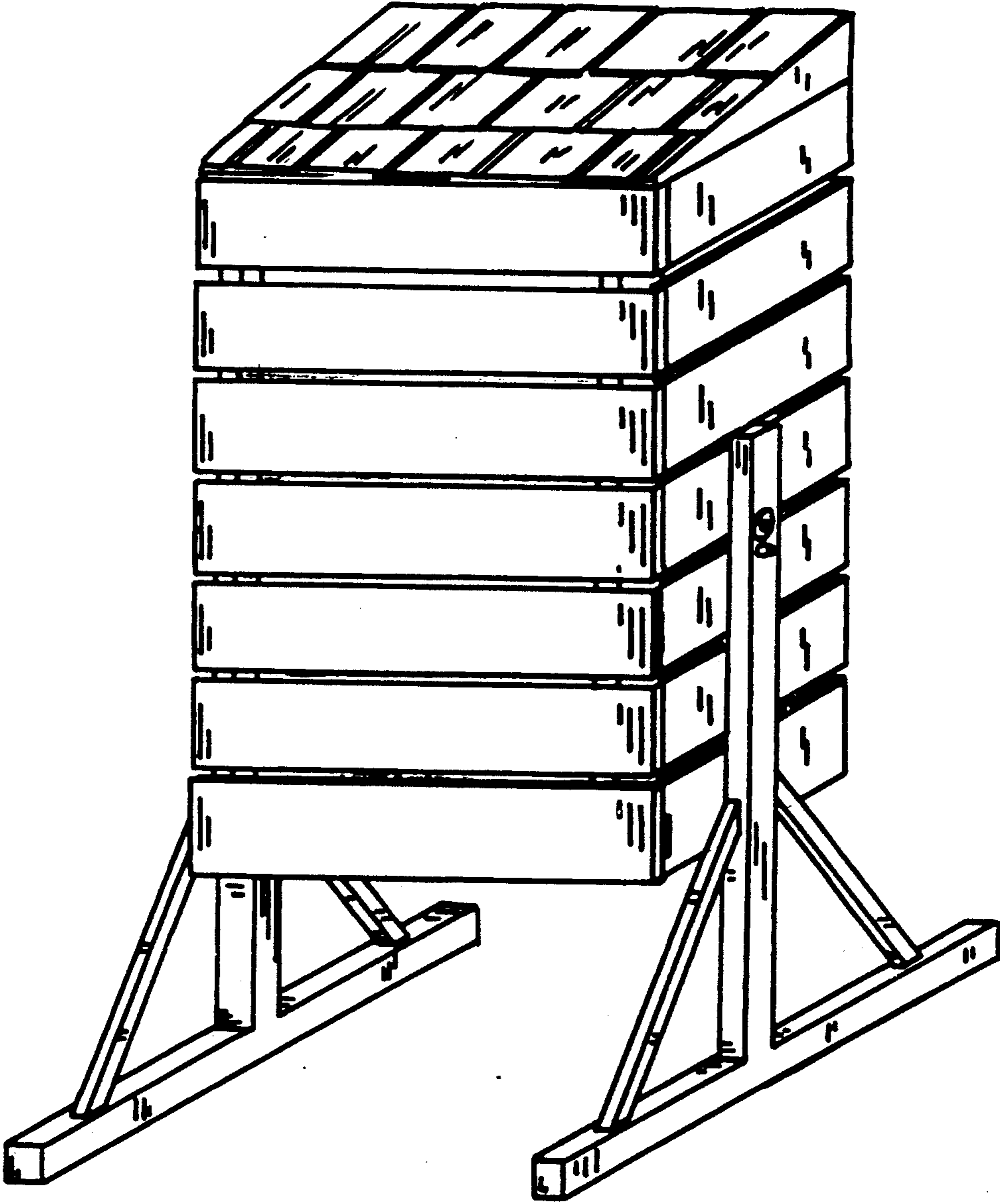


FIG. 1.

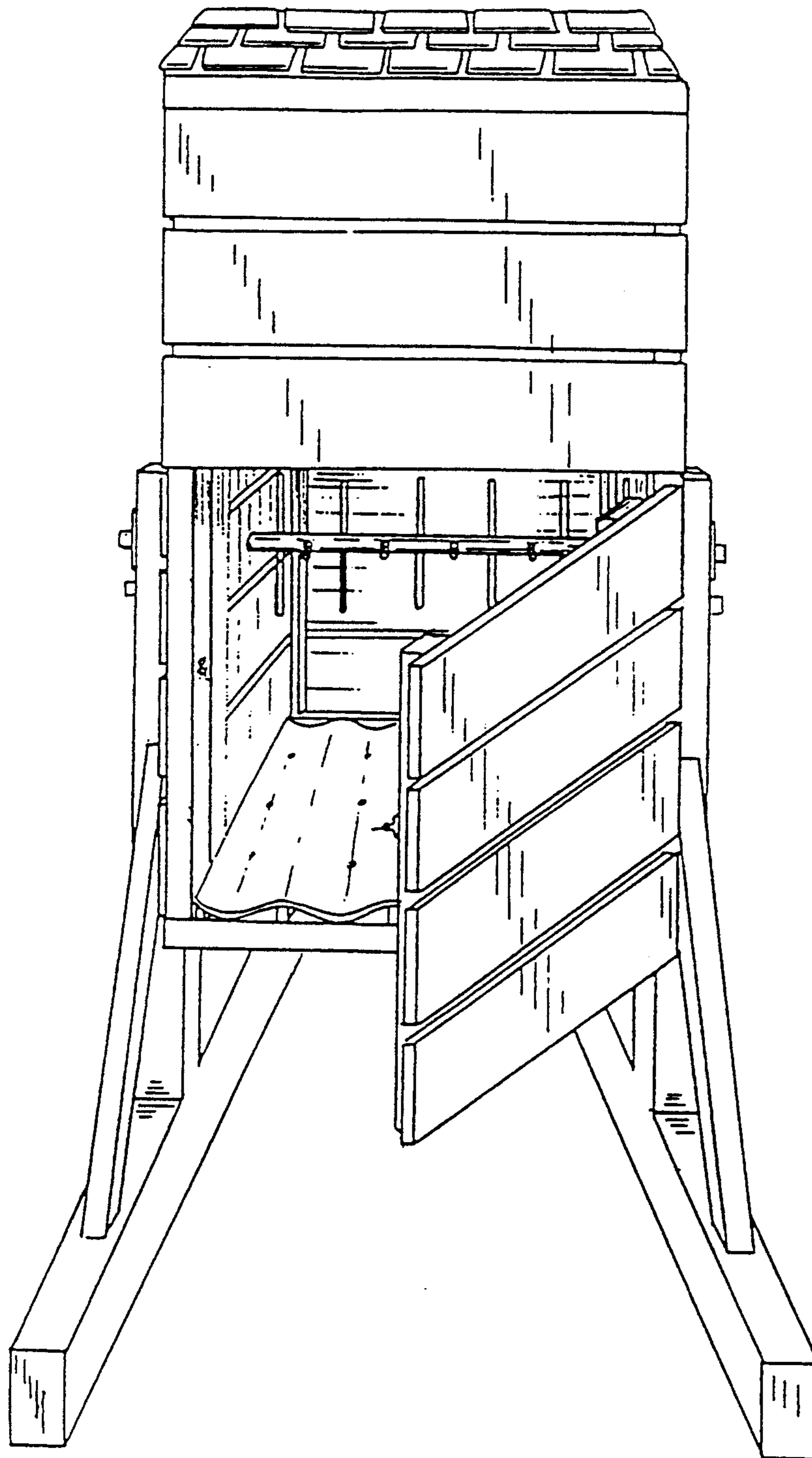


FIG. 2.

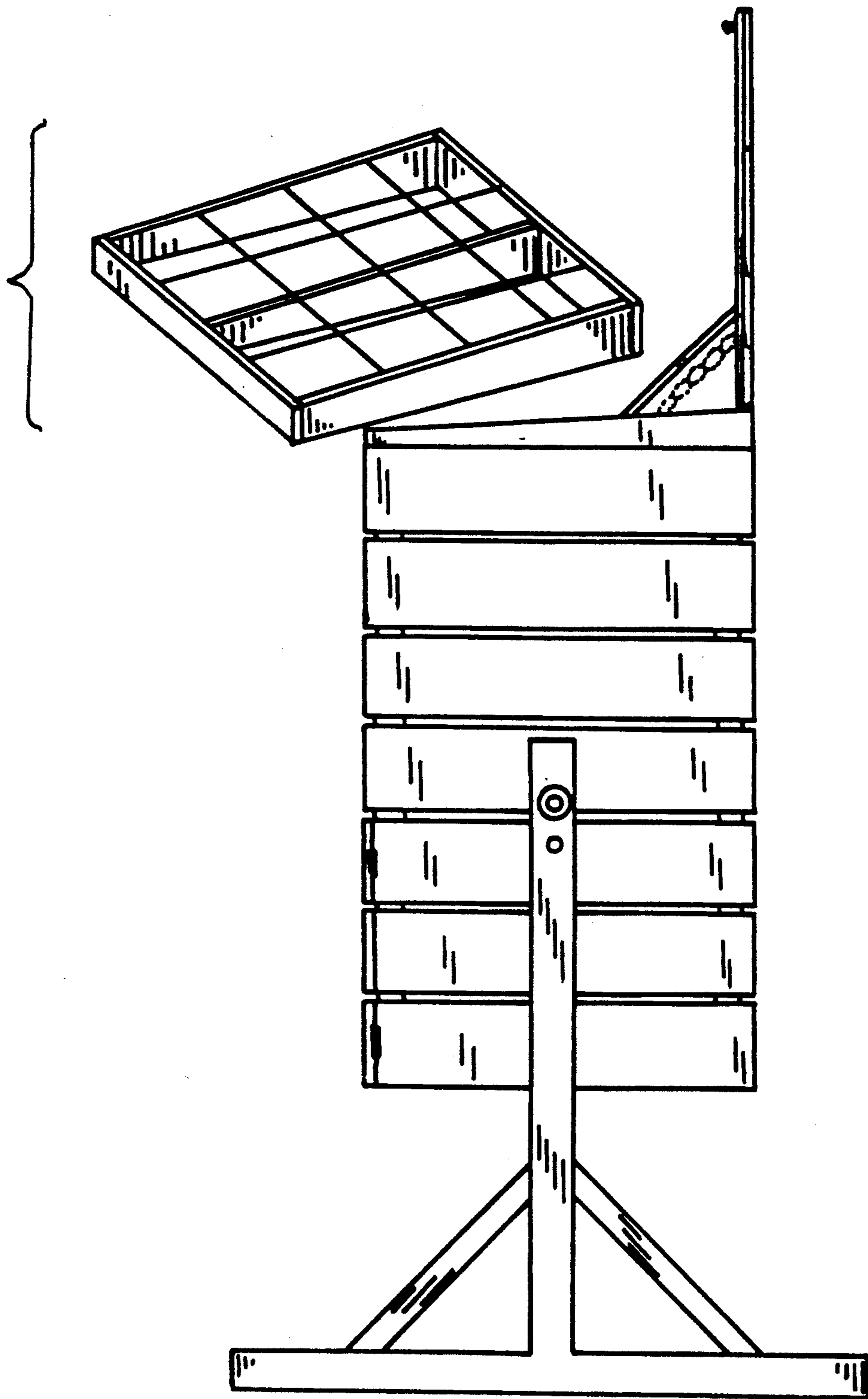


FIG. 3.

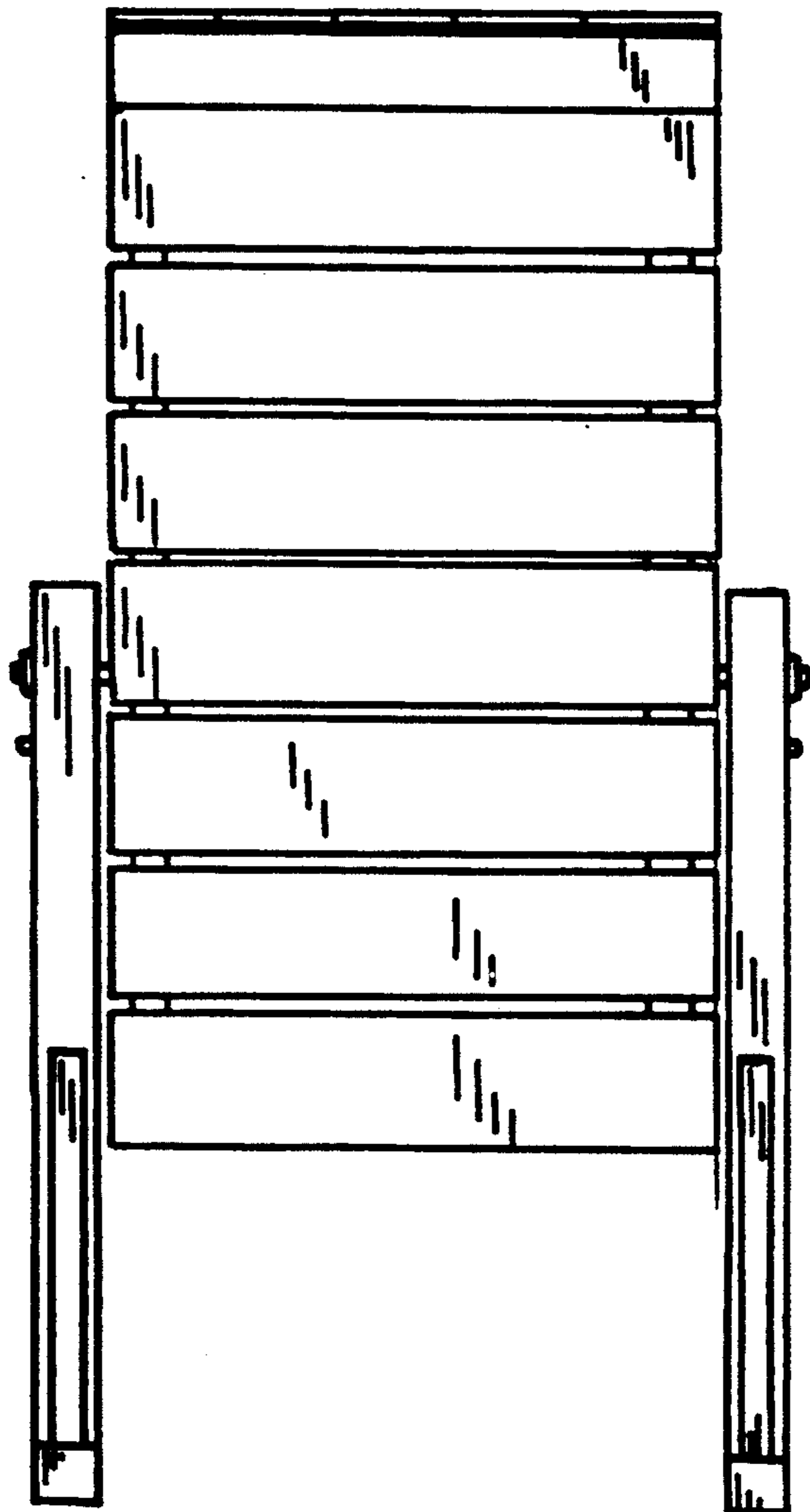


FIG 4

FIG. 5.

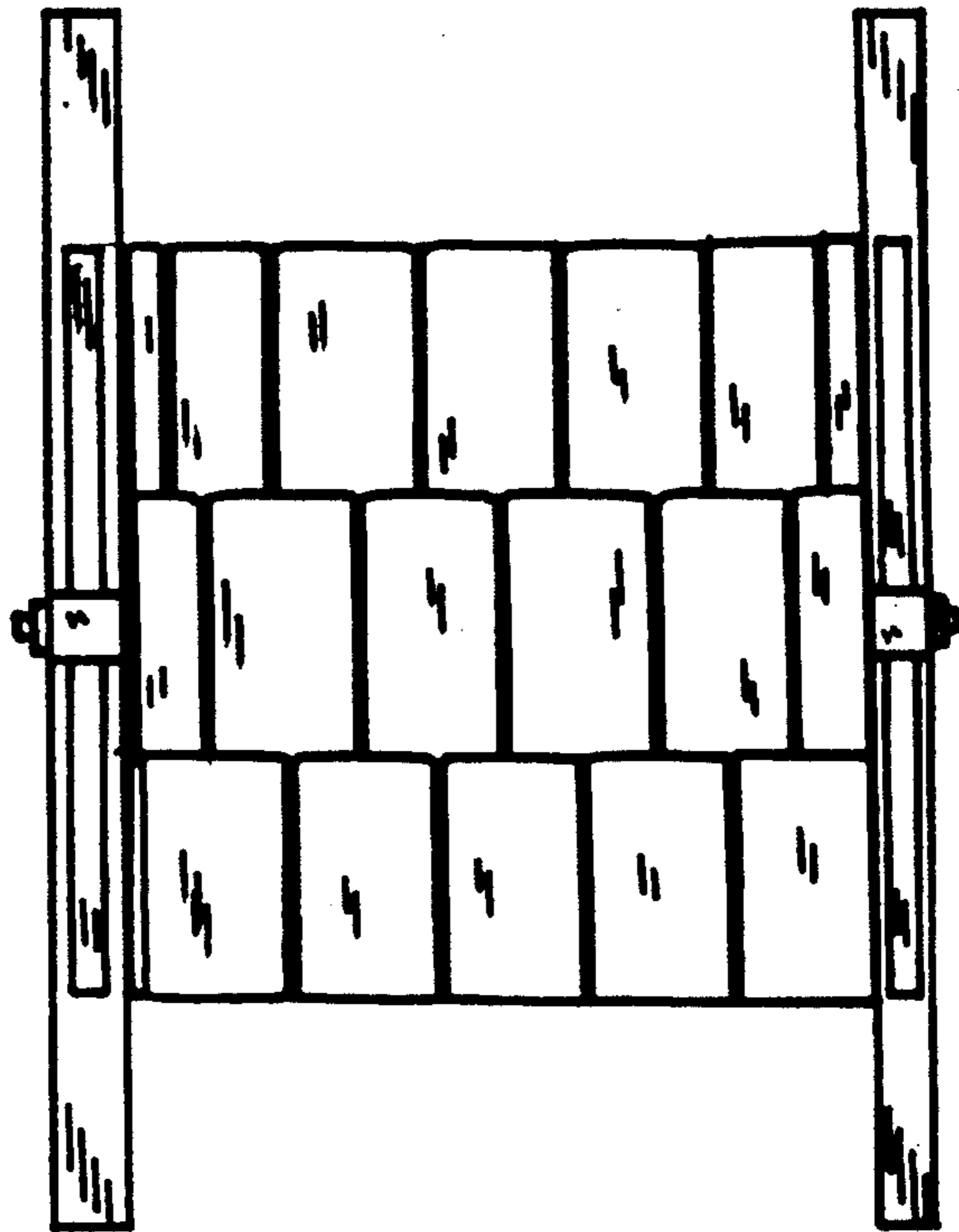


FIG. 6.

