



US00D340556S

United States Patent [19]

[11] Patent Number: **Des. 340,556**

Berfield et al.

[45] Date of Patent: **** Oct. 19, 1993**

[54] TANK FOR A PRESSURE WASHER

[75] Inventors: **Robert C. Berfield**, Jersey Shore;
Ronald F. Meland, Muncy; **Craig A. Seasholtz**, Avis, all of Pa.

[73] Assignee: **Shop-Vac Corporation**, Williamsport, Pa.

[**] Term: **14 Years**

[21] Appl. No.: **641,553**

[22] Filed: **Jan. 15, 1991**

[52] U.S. Cl. **D32/1; D32/21**

[58] Field of Search **D23/223, 225, 226; D32/1, 15, 17; D15/7, 9, 13; 15/3.5, 344, 327.1, 320, 321; 137/899.3, 899.4, 259; 220/4.12, 4.13; 134/117-118, 123, 172, 184, 198, 94.1, 95.3, 99.2, 102.2, 103.2**

[56] **References Cited**

U.S. PATENT DOCUMENTS

D. 217,399 4/1970 Whitney D15/7
D. 284,885 7/1986 Nakamura D23/225

D. 314,420 2/1991 Tomatsu D23/225
4,266,317 5/1981 Duda 15/321
4,327,459 5/1982 Gilbert 15/321
4,864,680 9/1989 Blase et al. 15/321
4,910,828 3/1990 Blase et al. 15/322
5,146,647 9/1992 Blase et al. 15/321

Primary Examiner—Ruth McInroy
Attorney, Agent, or Firm—Marshall, O'Toole, Gerstein, Murray & Borun

[57] **CLAIM**

The ornamental design for a tank for a pressure washer, as shown.

DESCRIPTION

FIG. 1 is a front, right side, top perspective view of a tank for a pressure washer showing my new design; FIG. 2 is a top view thereof; FIG. 3 is a bottom view thereof; FIG. 4 is a front view thereof; FIG. 5 is a rear view thereof; FIG. 6 is a right side view thereof; and, FIG. 7 is a left side view thereof.

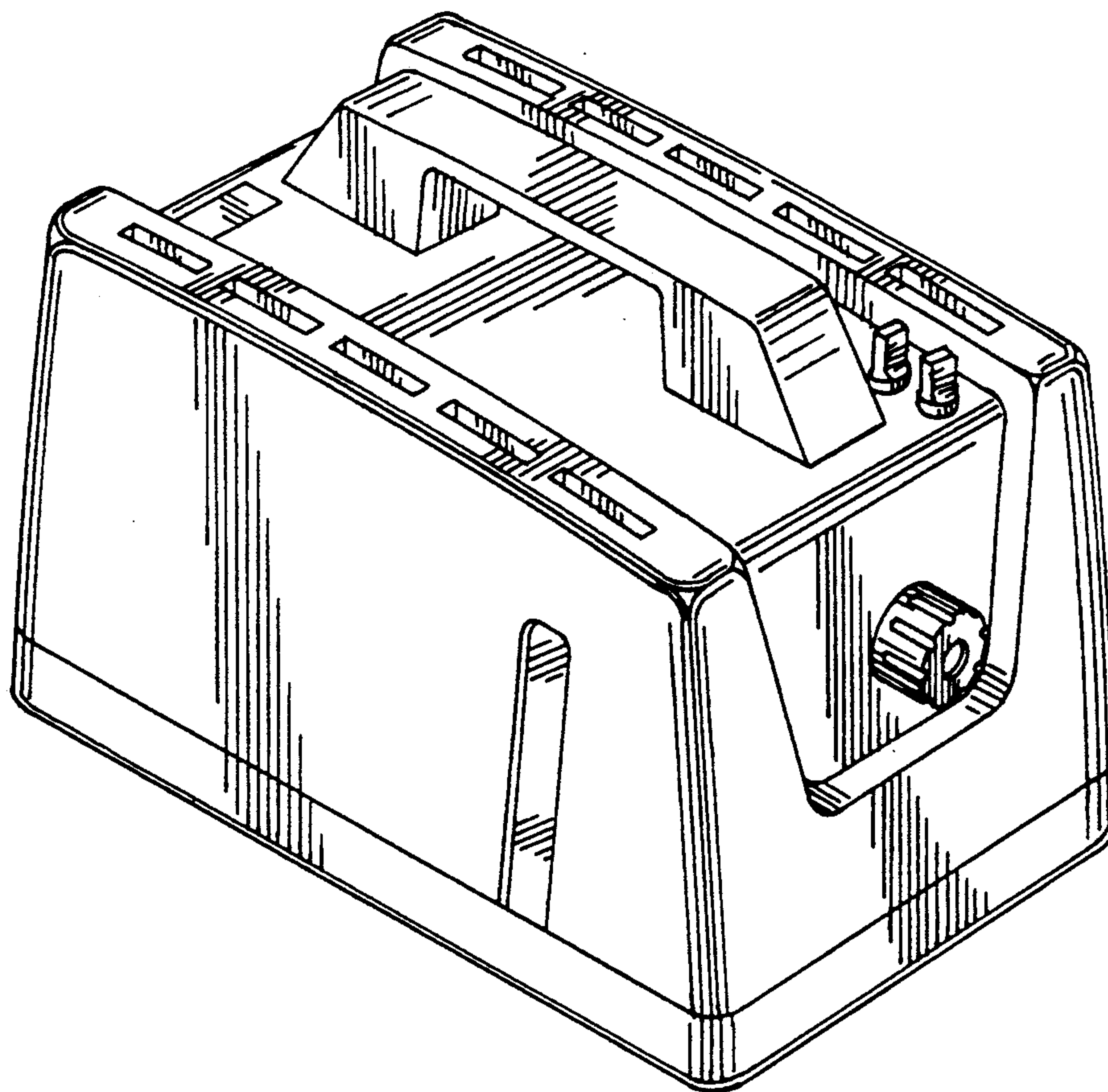


FIG. 1

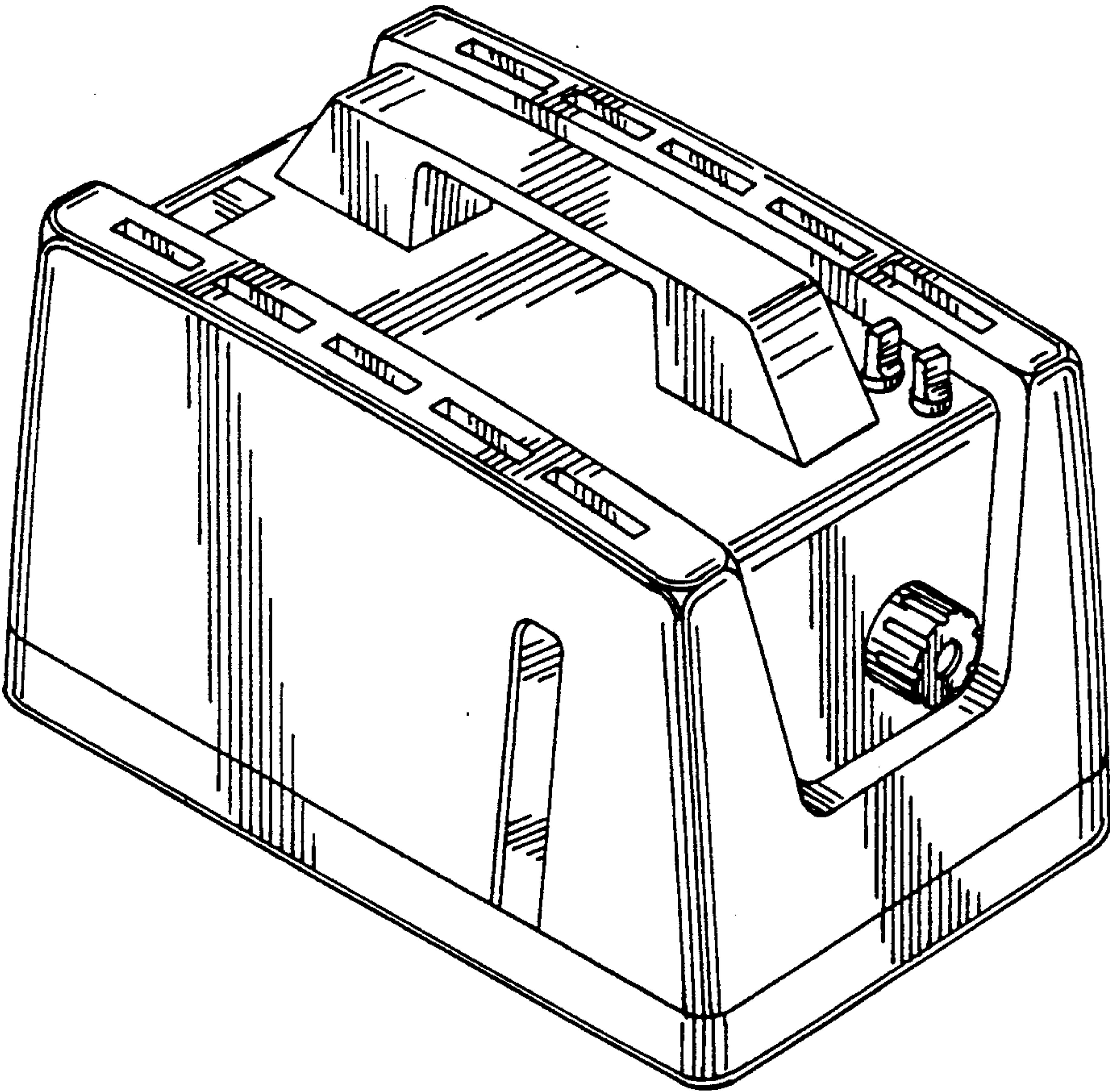


FIG.2

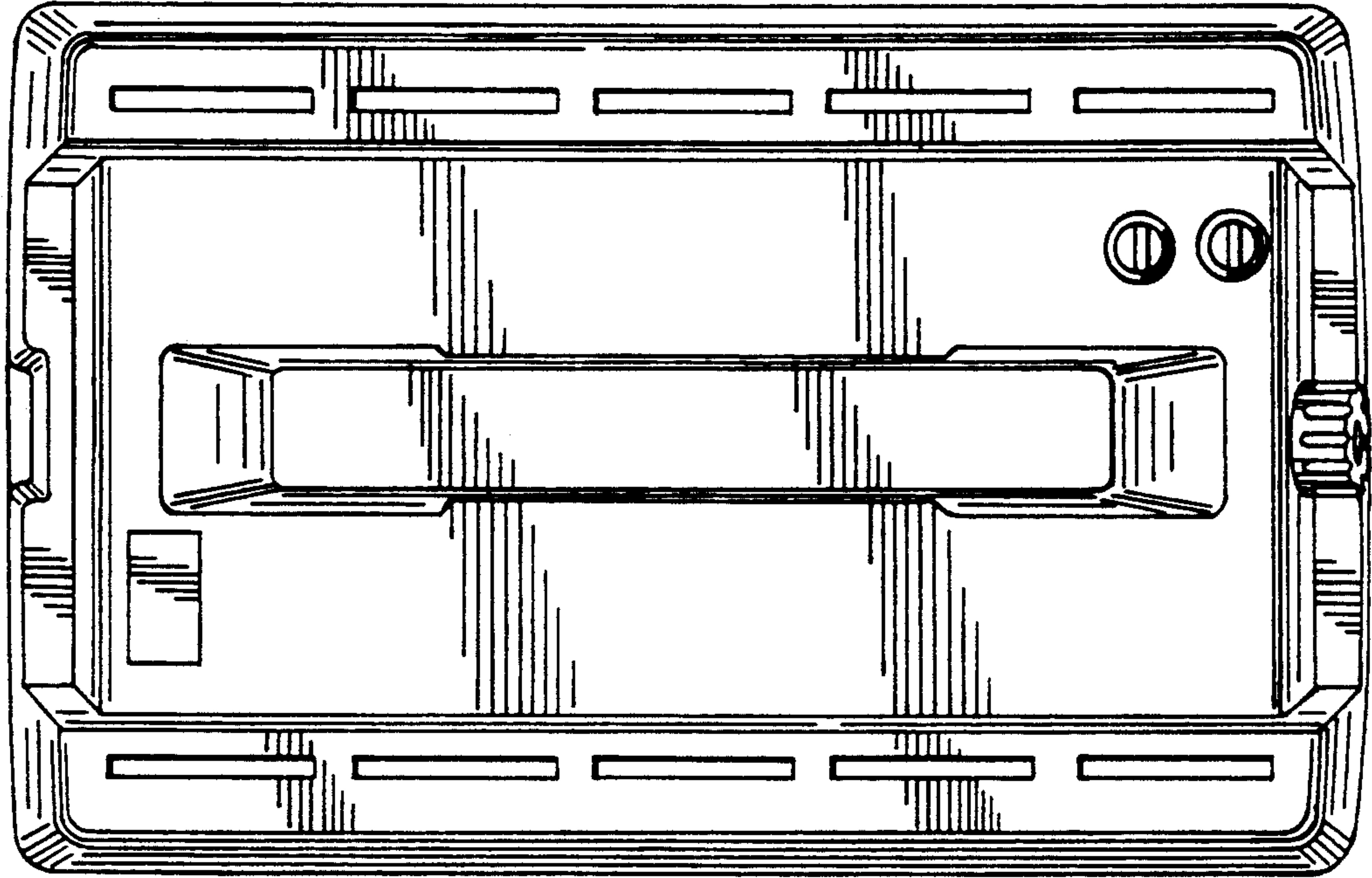


FIG.3

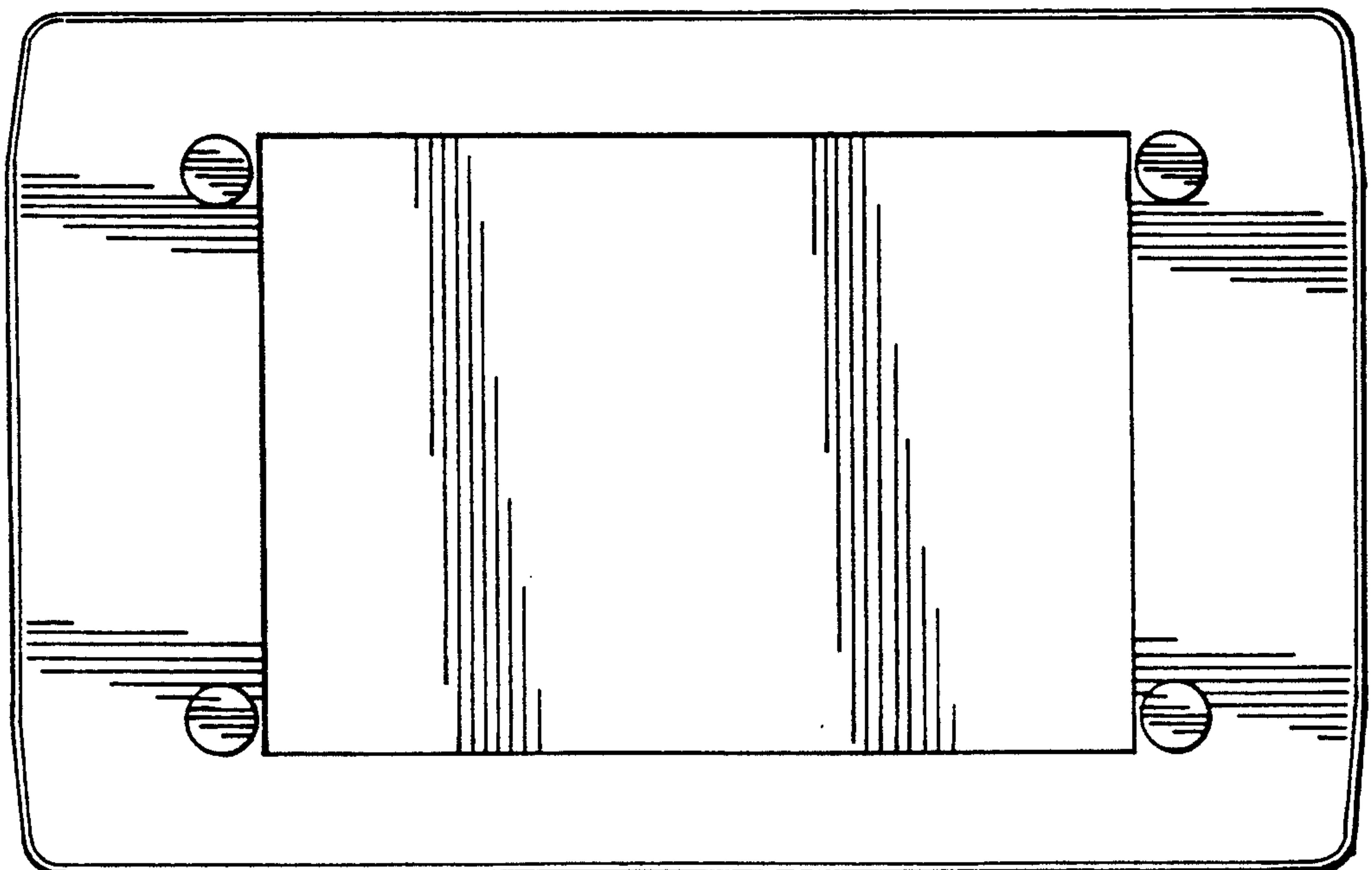


FIG.4

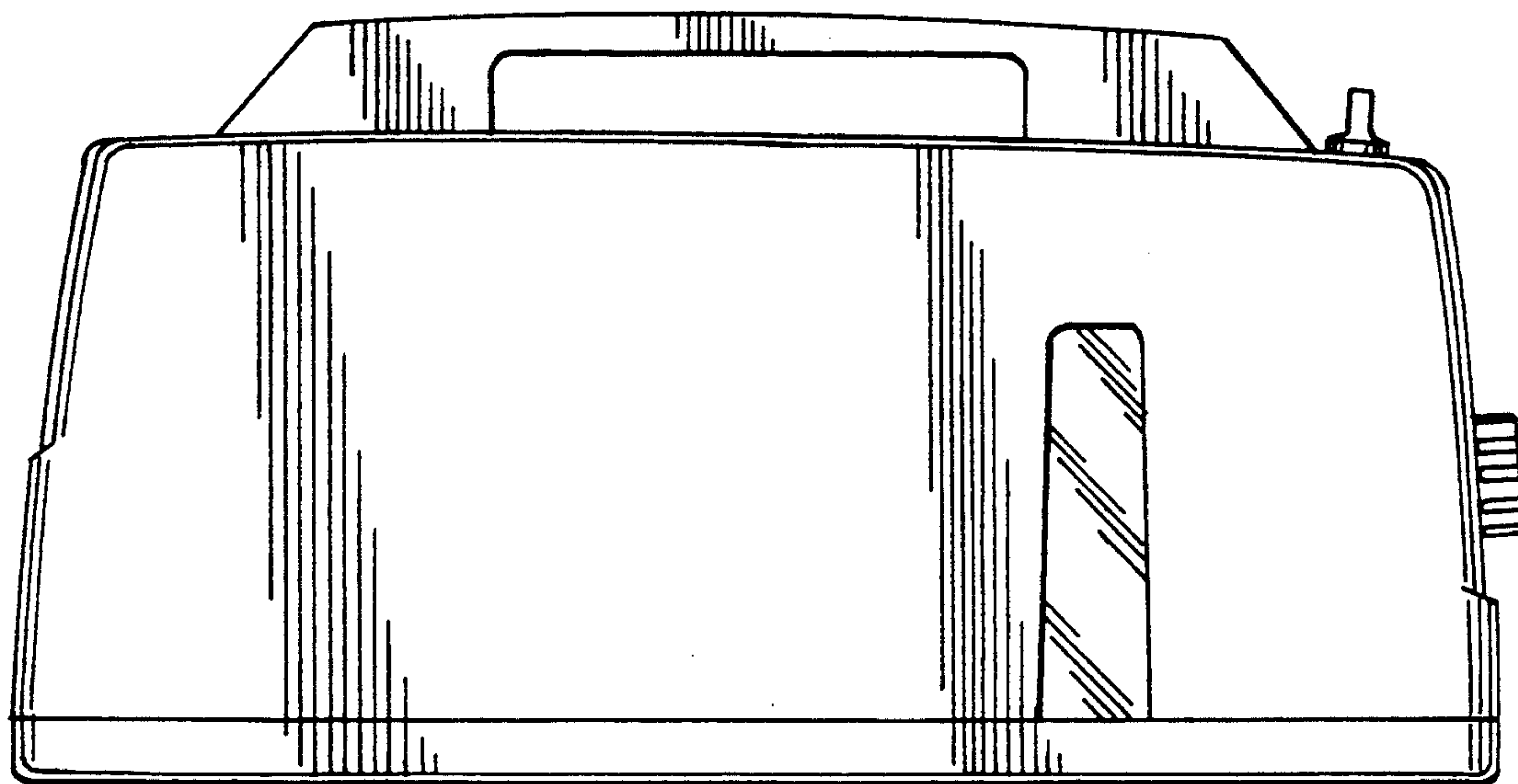


FIG.5

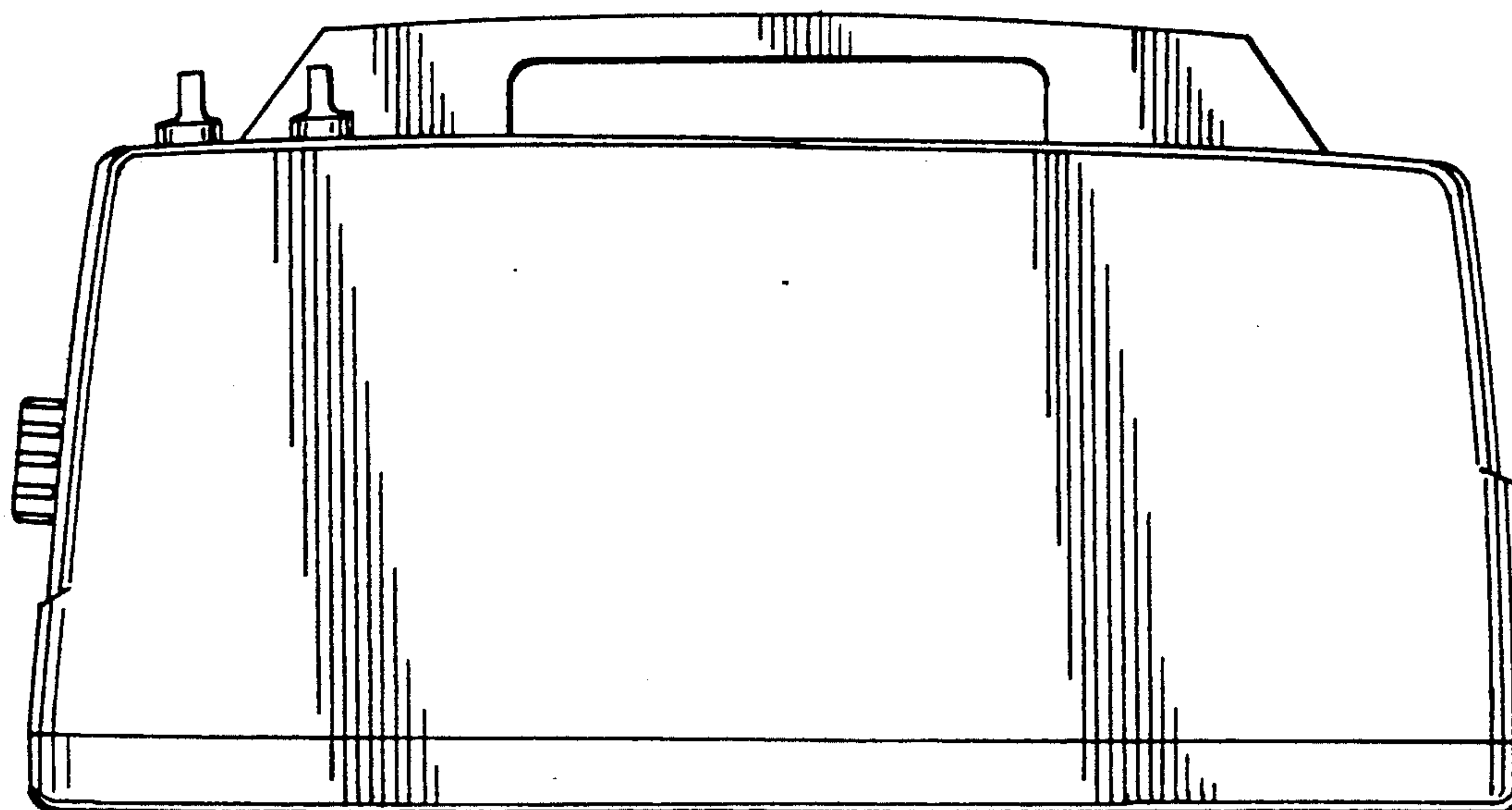


FIG. 6

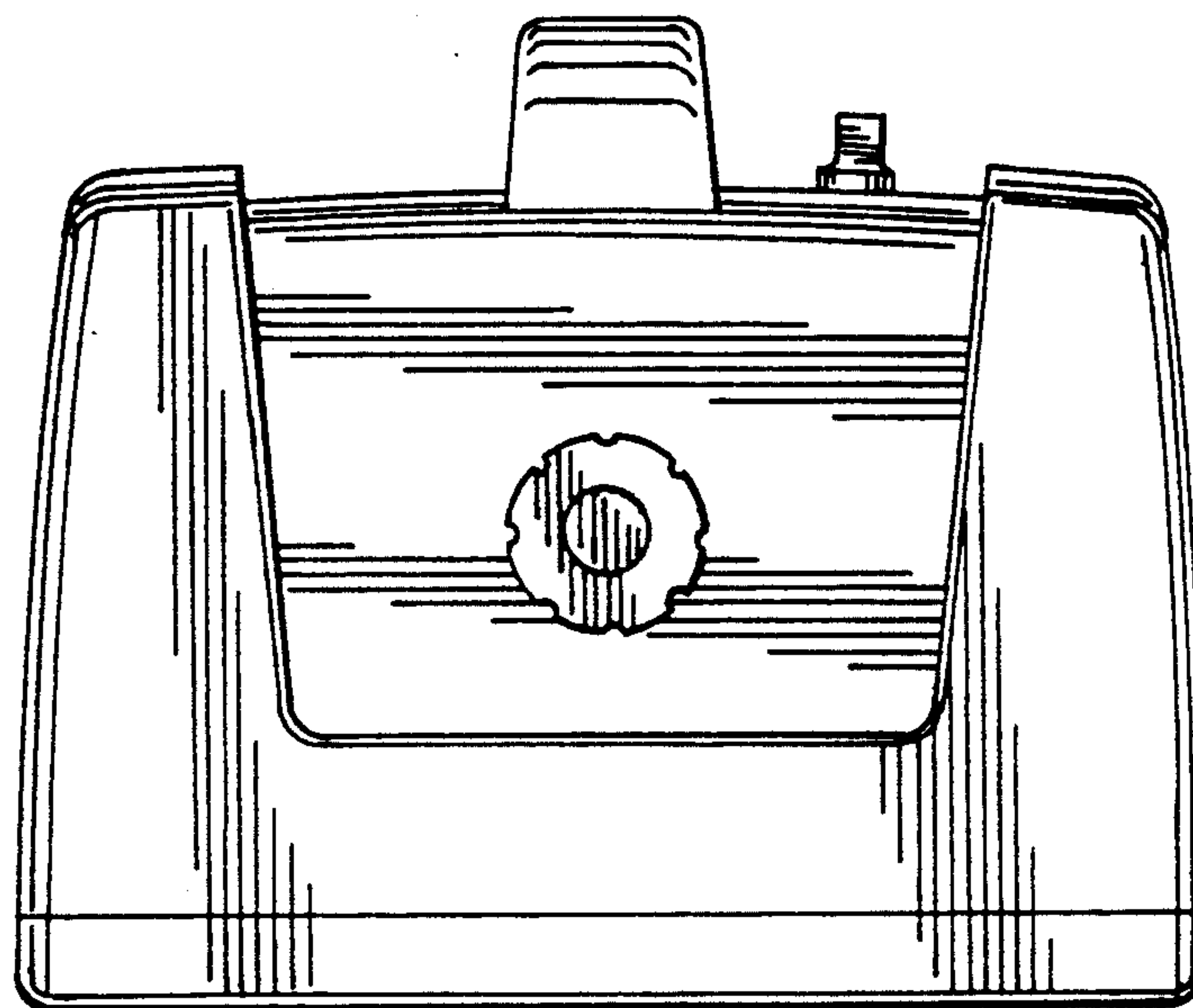


FIG. 7

