



US00D340555S

# United States Patent [19]

[11] Patent Number: **Des. 340,555**

Ott

[45] Date of Patent: **\*\* Oct. 19, 1993**

[54] **CHEST REST FOR DOGS**

4,970,991	11/1990	Luce	119/96
5,005,526	4/1991	Parker	119/96
5,044,321	9/1991	Selph	119/96

[76] Inventor: **Russell J. Ott**, 9050 Briarclift Rd., Indianapolis, Ind. 46256

[\*\*] Term: **14 Years**

[21] Appl. No.: **868,285**

[22] Filed: **Apr. 13, 1992**

[52] U.S. Cl. .... **D30/144**

[58] Field of Search ..... **D30/118, 144; 119/96, 119/103, 19, 106, 28.5; D29/10, 11; 5/94, 455; D7/550; D12/155; 297/464; 280/290; D6/500-502, 596, 601, 333**

[56] **References Cited**

**U.S. PATENT DOCUMENTS**

2,642,923	6/1953	Roeder	297/253
2,973,030	2/1961	Matthewson	119/96
3,071,100	1/1963	Nicholson et al.	D30/153
3,310,034	3/1967	Dishart	119/96
3,945,678	3/1976	Neuman	119/96
3,948,222	4/1976	Longshore et al.	119/96
4,003,341	1/1977	LaCroix	119/103
4,324,204	4/1982	Friedman	119/96
4,715,618	12/1987	Harris	119/96
4,821,676	4/1989	Hulterstrum	119/174
4,840,144	6/1989	Voorhees et al.	119/96
4,896,630	1/1990	Luce	119/96
4,907,541	3/1990	Thompson	119/96
4,960,293	10/1990	Bottinick et al.	119/96

**OTHER PUBLICATIONS**

Popular Mechanics Magazine; Oct. 1946; p. 208; item—Automobile Seat Hook for Dog Leash.  
Master Animal Care Catalog; p. 24; item—Easy Rider Pet Safety Belt for Automobiles; (Pet catalogs Box 2).  
Master Animal Care Catalog; p. 24; item—#2690100 Pet Traveler For Car; (Pet Catalogs Box 2).

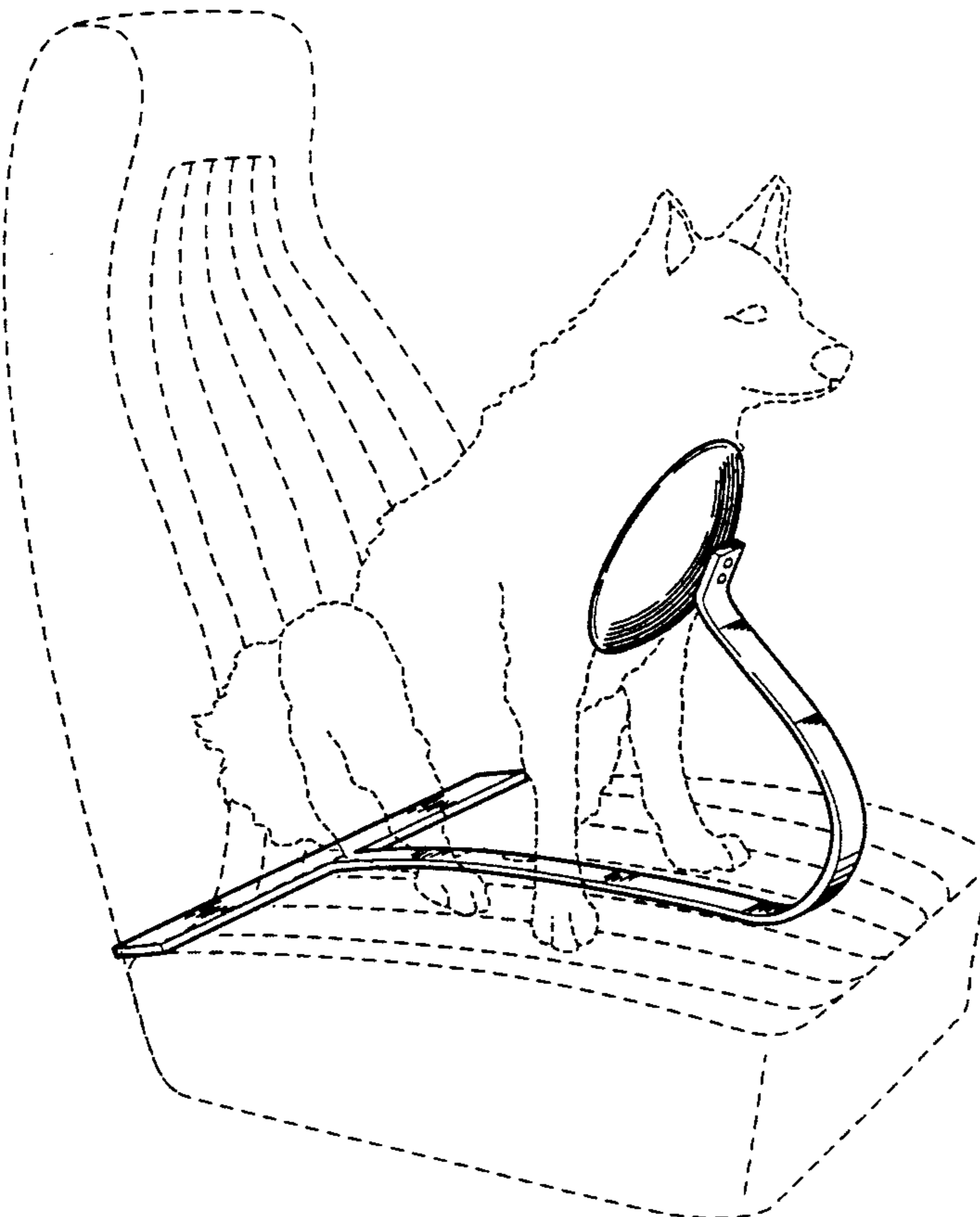
*Primary Examiner*—A. Hugo Word  
*Assistant Examiner*—CathyAnne MacCormac  
*Attorney, Agent, or Firm*—Woodard, Emhardt, Naughton, Moriarty & McNett

[57] **CLAIM**

The ornamental design for a chest rest for dogs, as shown and described.

**DESCRIPTION**

FIG. 1 is a perspective view of a chest rest for dogs, showing my new design;  
FIG. 2 is a right side elevational view thereof;  
FIG. 3 is a front elevational view thereof;  
FIG. 4 is a rear elevational view thereof; and,  
FIG. 5 is a top plan view thereof.  
The broken lines are for illustrative purposes only and form no part of the claimed design.



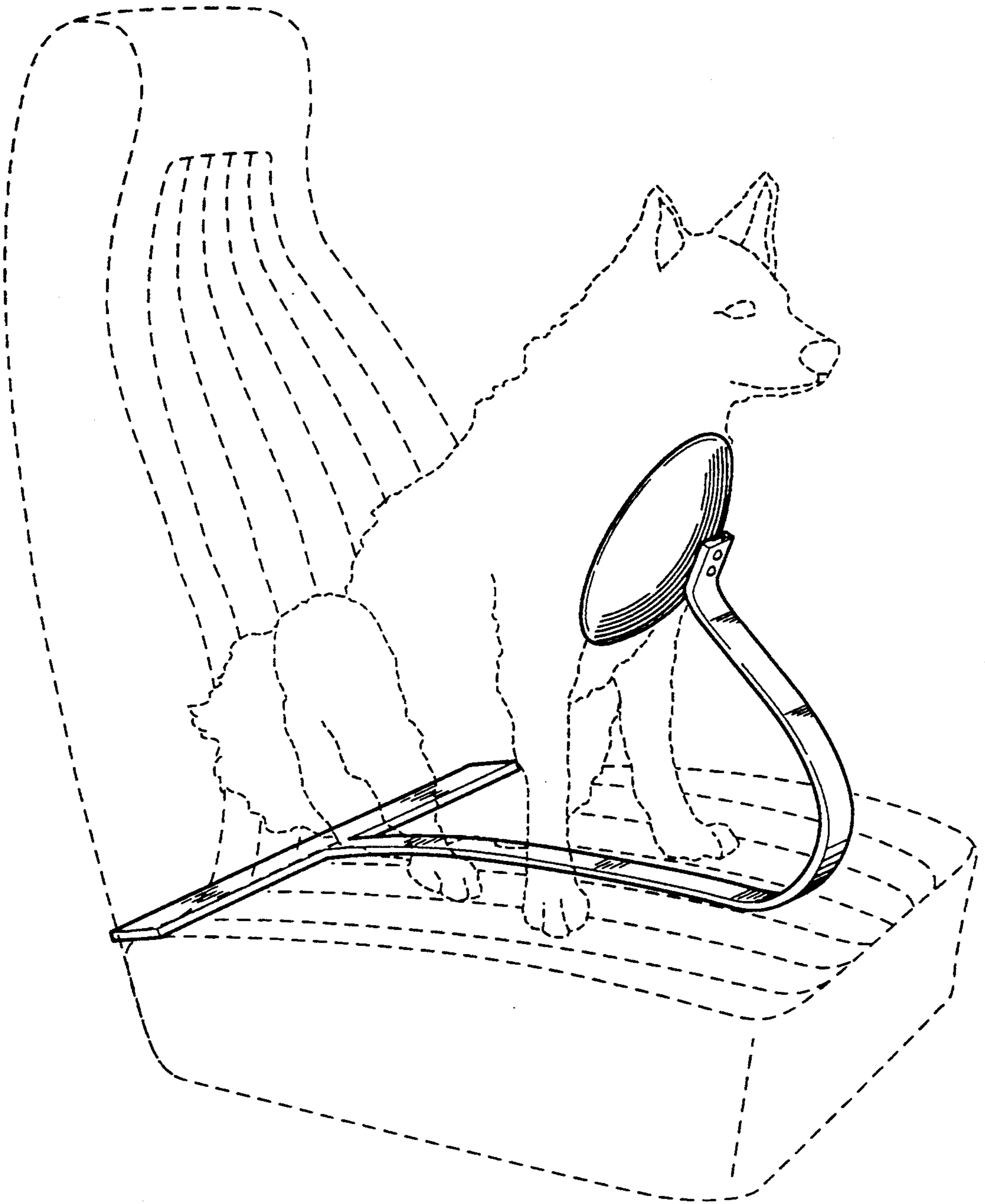


Fig. 1

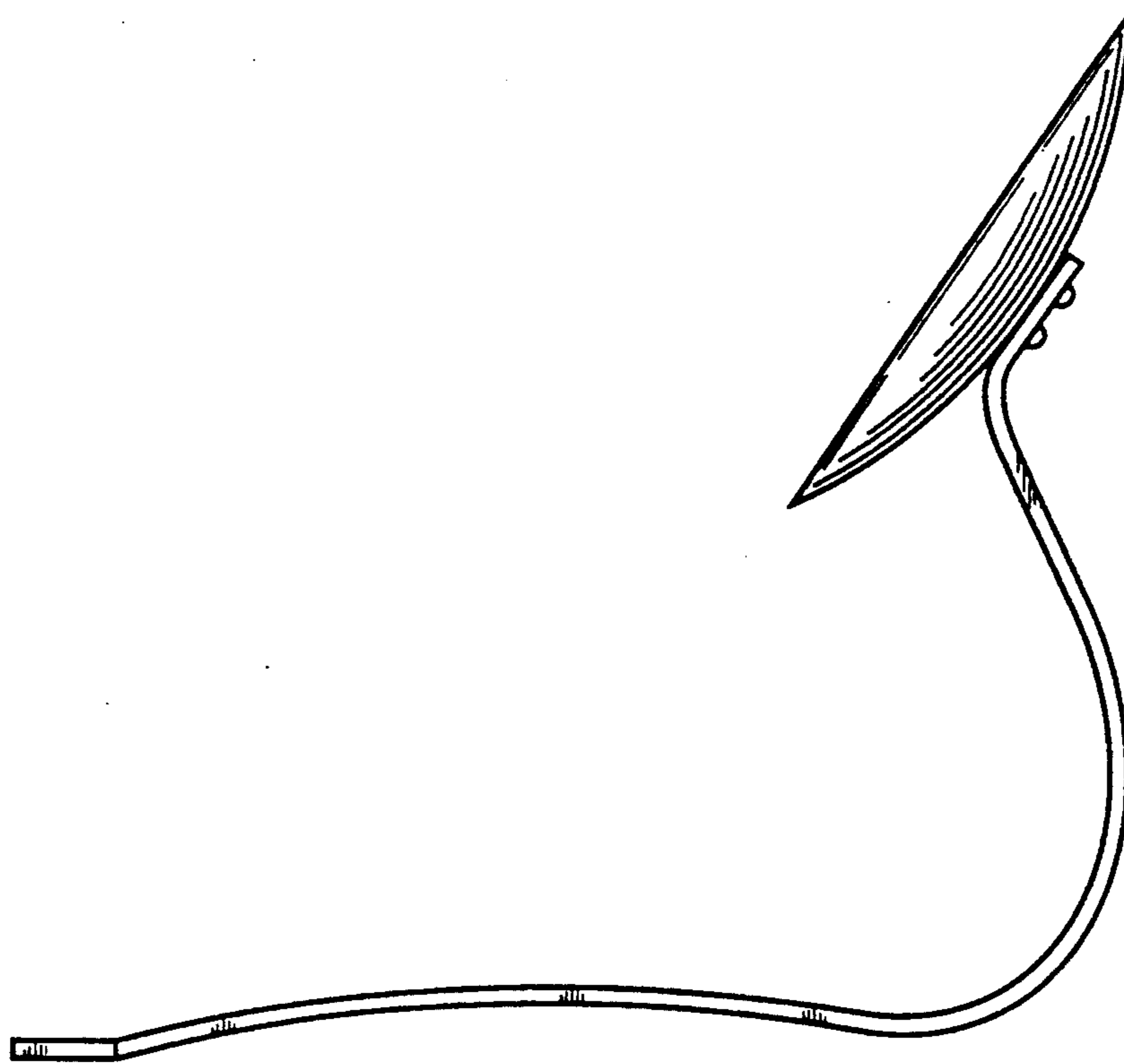


Fig. 2

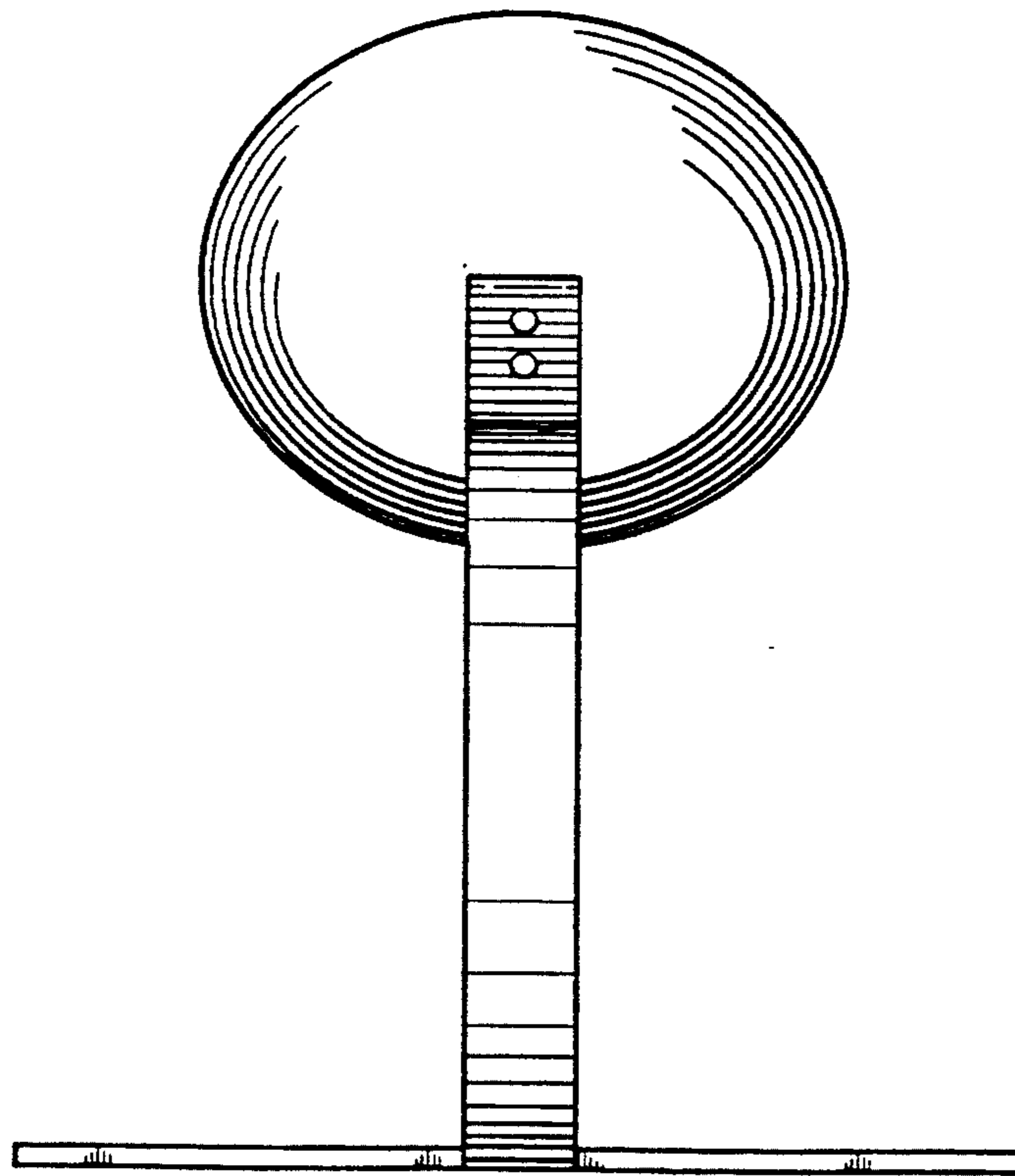


Fig. 3

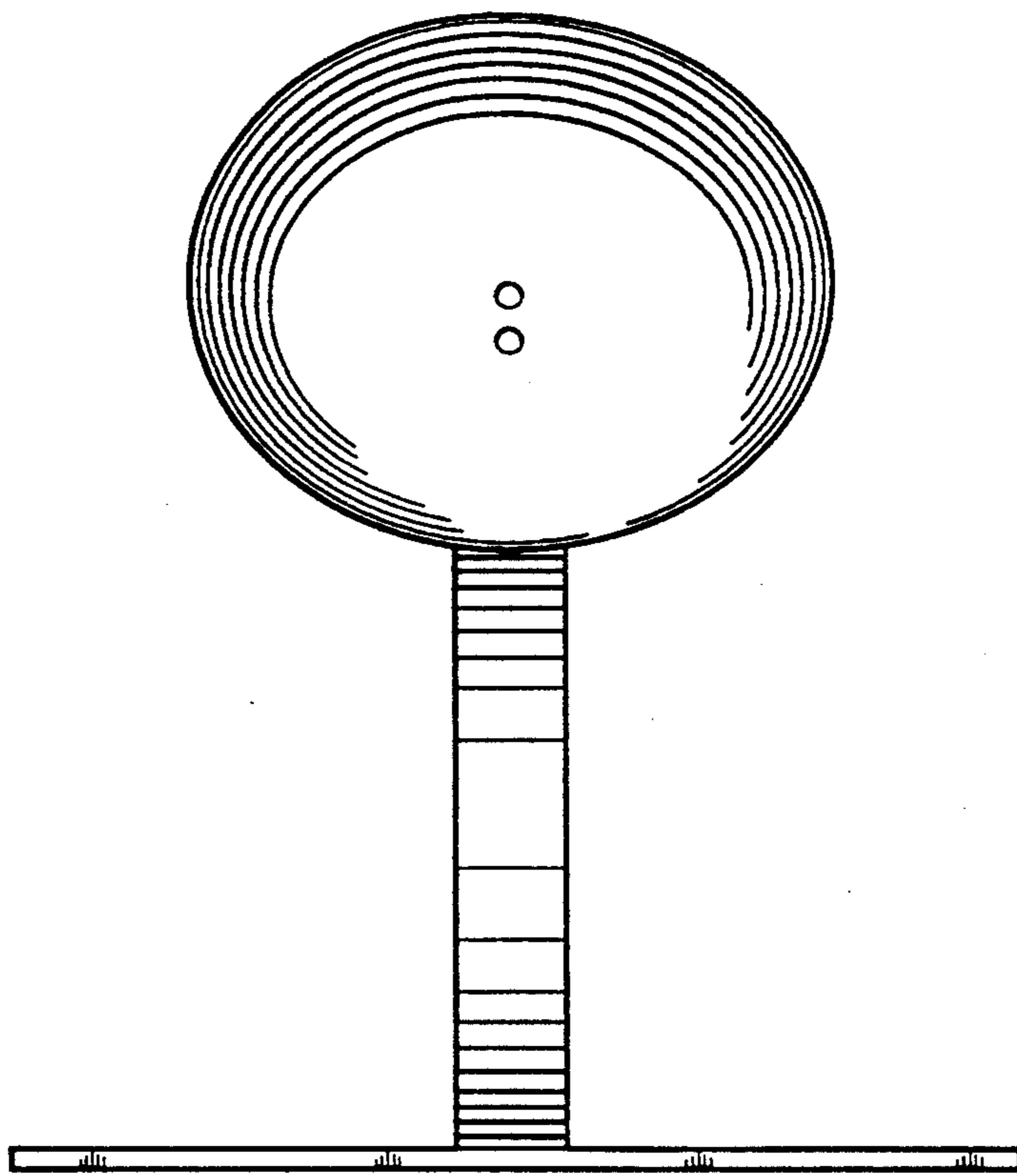


Fig. 4

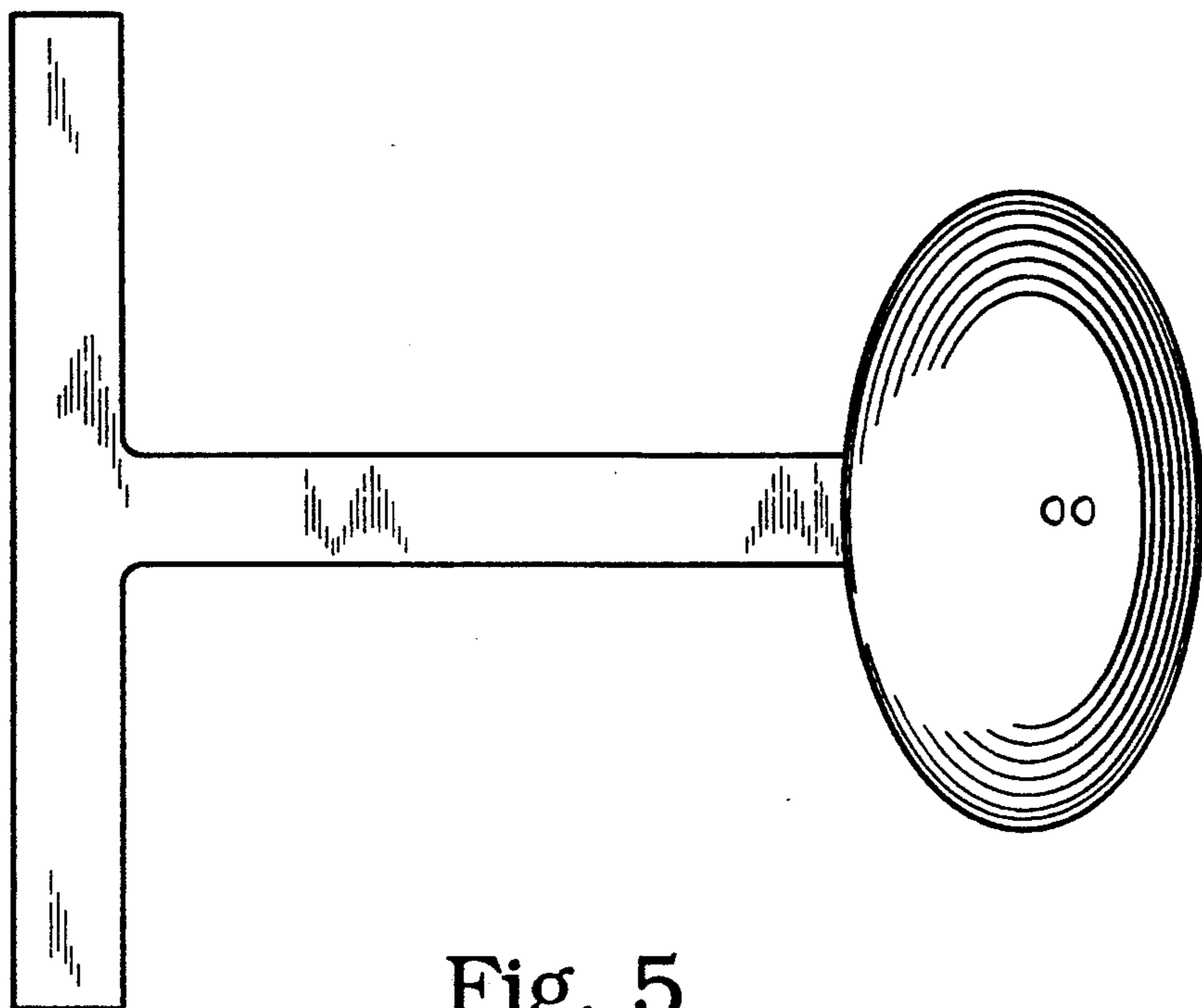


Fig. 5